

[54] **INDICATOR LENS**

[75] **Inventors: Ned Bergeron; Theodore A. Stollberg,**
both of Houma, La.

[73] **Assignee: B.W.B. Controls, Inc., Houma, La.**

[**] **Term: 14 Years**

[21] **Appl. No.: 479,175**

[22] **Filed: Mar. 28, 1983**

[52] **U.S. Cl. D10/121; D26/118;**
D26/135

[58] **Field of Search 362/307, 310, 311, 362,**
362/297; D10/114, 121; D26/24, 120, 122, 123,
124, 128-137; 326/326-340; 340/815.13, 815.1,
815.06, 815.12, 815.15, 815.14, 815.33

[56] **References Cited**

U.S. PATENT DOCUMENTS

1,673,876	6/1928	Koeppler	340/815.13
2,616,941	11/1952	Lasko	350/112 X
2,711,711	6/1955	Harman	350/112 X
4,164,196	8/1979	Stradella et al.	116/272
4,499,846	2/1985	Bergeron et al.	350/112 X

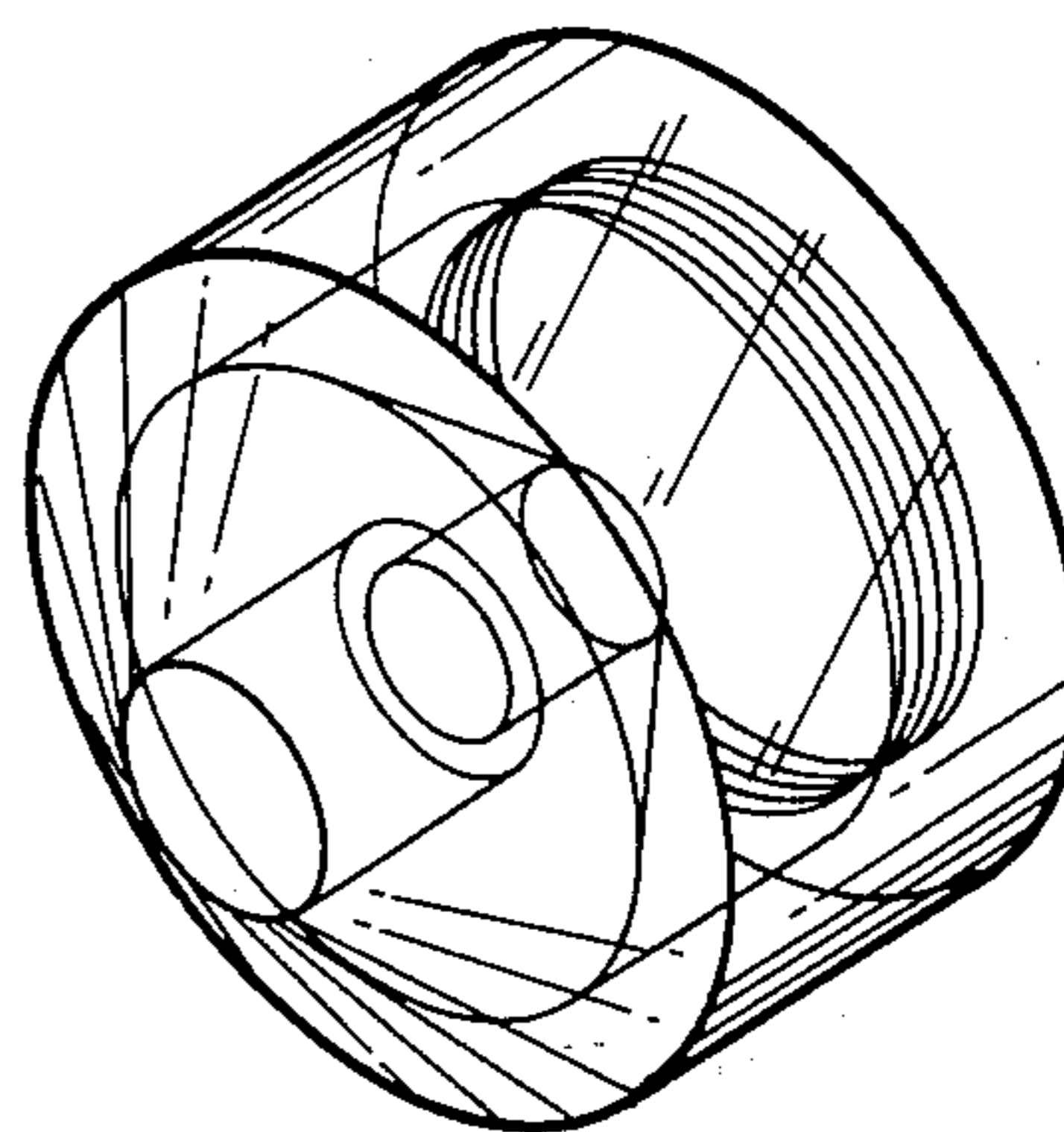
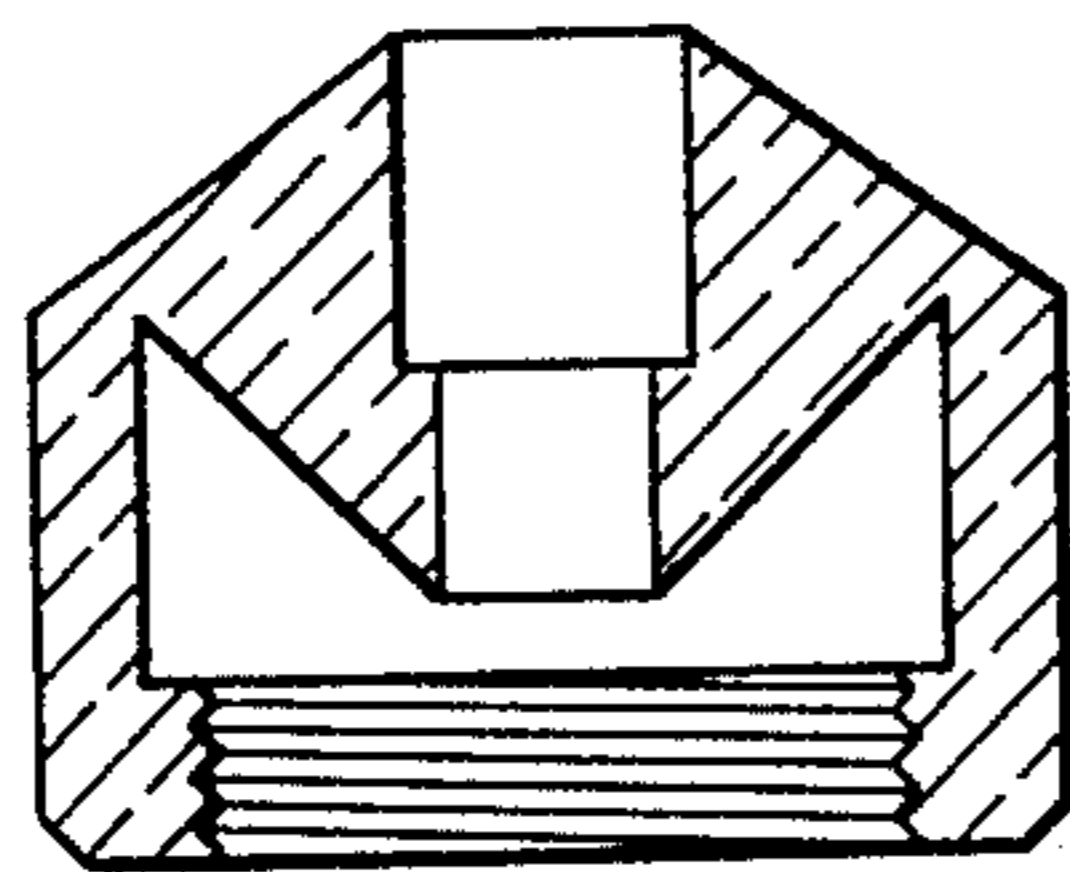
Primary Examiner—Susan J. Lucas
Attorney, Agent, or Firm—George A. Bode

[57] **CLAIM**

The ornamental design for an indicator lens, as shown and described.

DESCRIPTION

FIG. 1 is a perspective view of an indicator lens showing our new design;
FIG. 2 is a side view thereof;
FIG. 3 is a cross-sectional view thereof;
FIG. 4 is a top view thereof; and
FIG. 5 is a bottom view thereof.



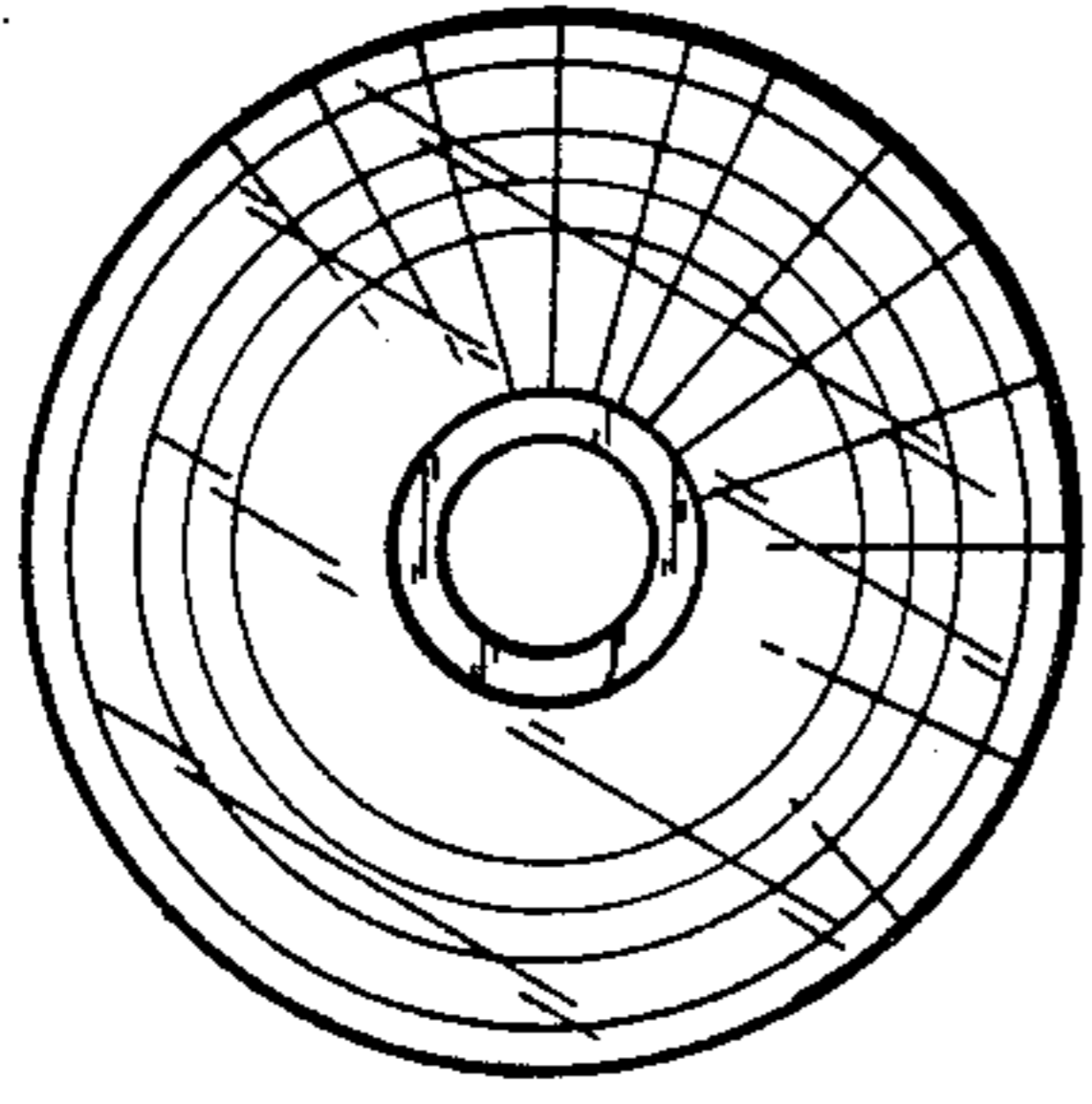


FIG. 5

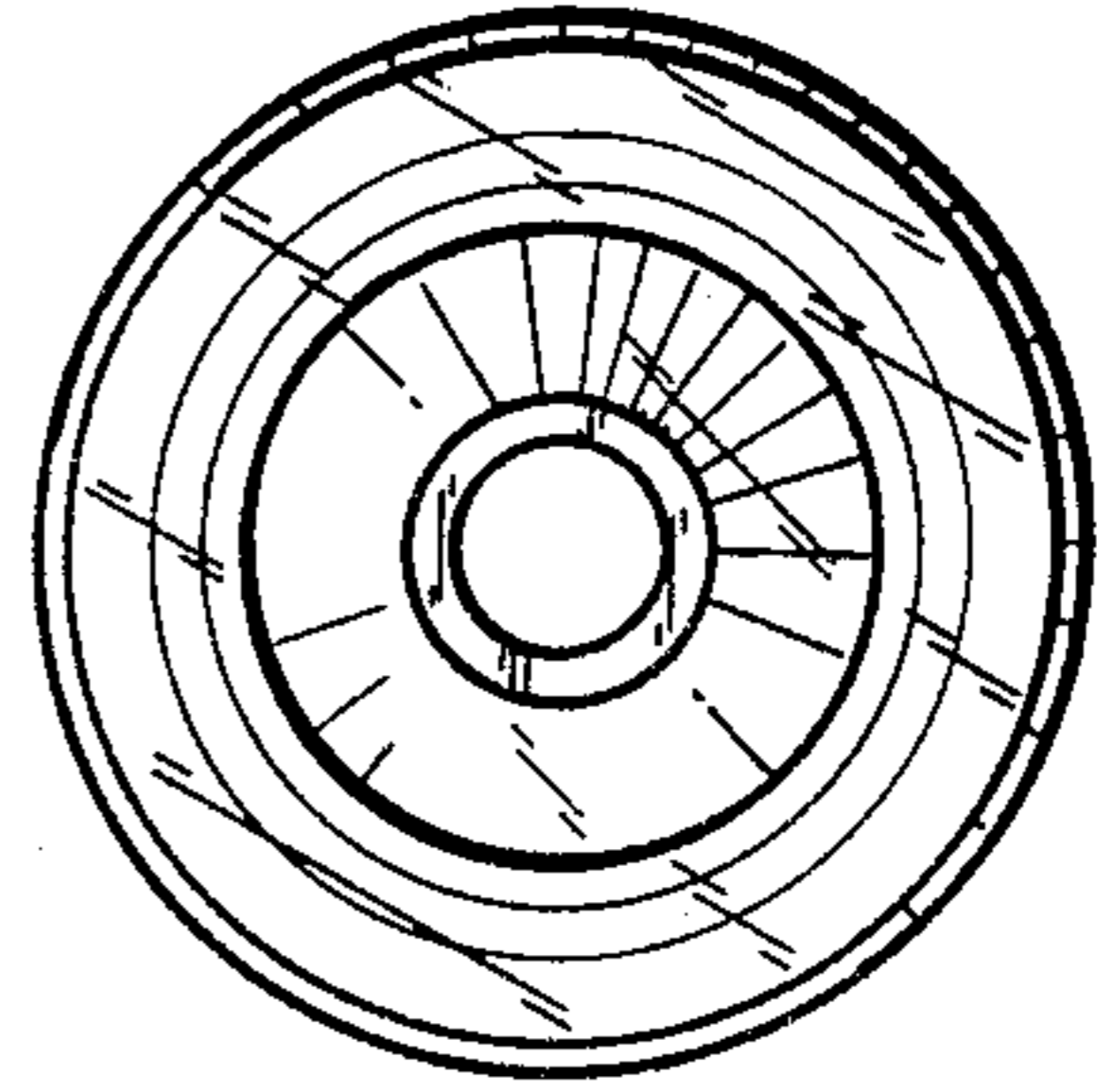


FIG. 4

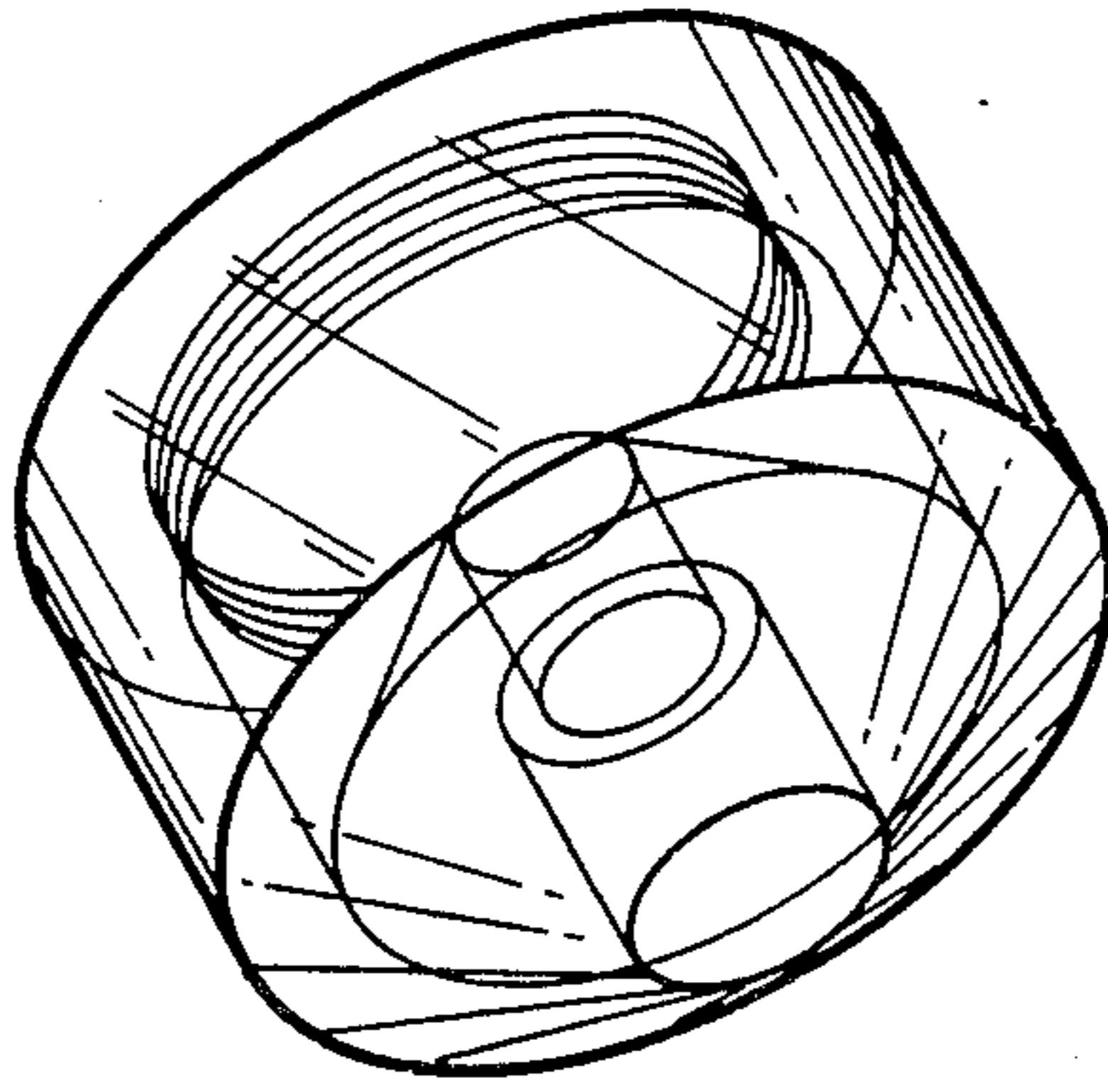


FIG. 1

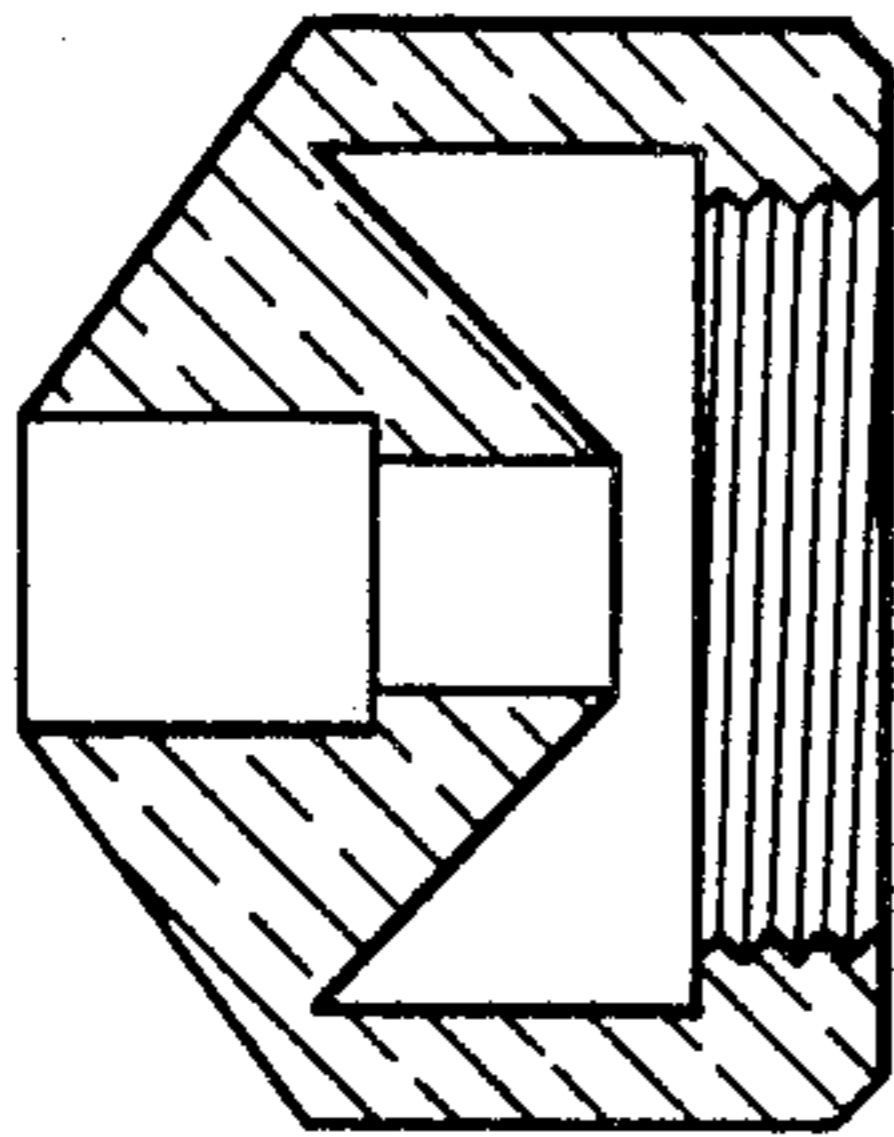


FIG. 3

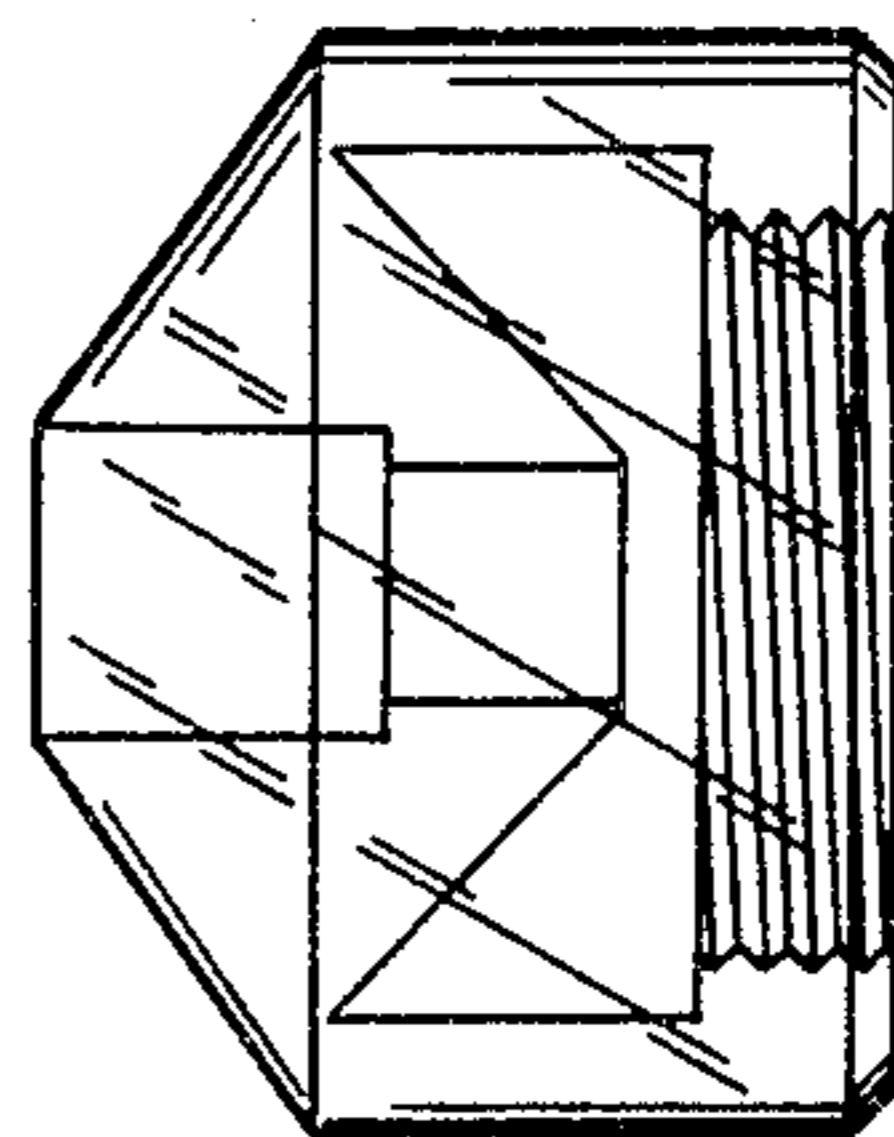


FIG. 2