

[54] SEPARABLE CHAIN LINK

[75] Inventor: Rocco D. Albertini, Concordville, Pa.

[73] Assignee: Baldt Incorporated, Chester, Pa.

[**] Term: 14 Years

[21] Appl. No.: 607,761

[22] Filed: May 7, 1984

[52] U.S. Cl. D8/499

[58] Field of Search D8/499; 59/82-85, 59/93; 114/230

[56] References Cited

U.S. PATENT DOCUMENTS

2,347,088	4/1944	Dock	59/85
2,398,897	4/1946	Pierre	59/85
2,621,471	12/1952	Dock	59/85
4,056,929	11/1977	Chrobak et al.	59/85
4,418,526	12/1983	Clement	59/85
4,428,187	1/1984	Bruce	59/85

Primary Examiner—B. J. Bullock

Attorney, Agent, or Firm—Cushman, Darby & Cushman

[57] CLAIM

The ornamental design for a separable chain link, as shown and described.

DESCRIPTION

FIG. 1 is a bottom perspective view of a separable chain link showing my new design;

FIG. 2 is an enlarged top plan view thereof;

FIG. 3 is an enlarged end elevational view thereof, both ends being identical;

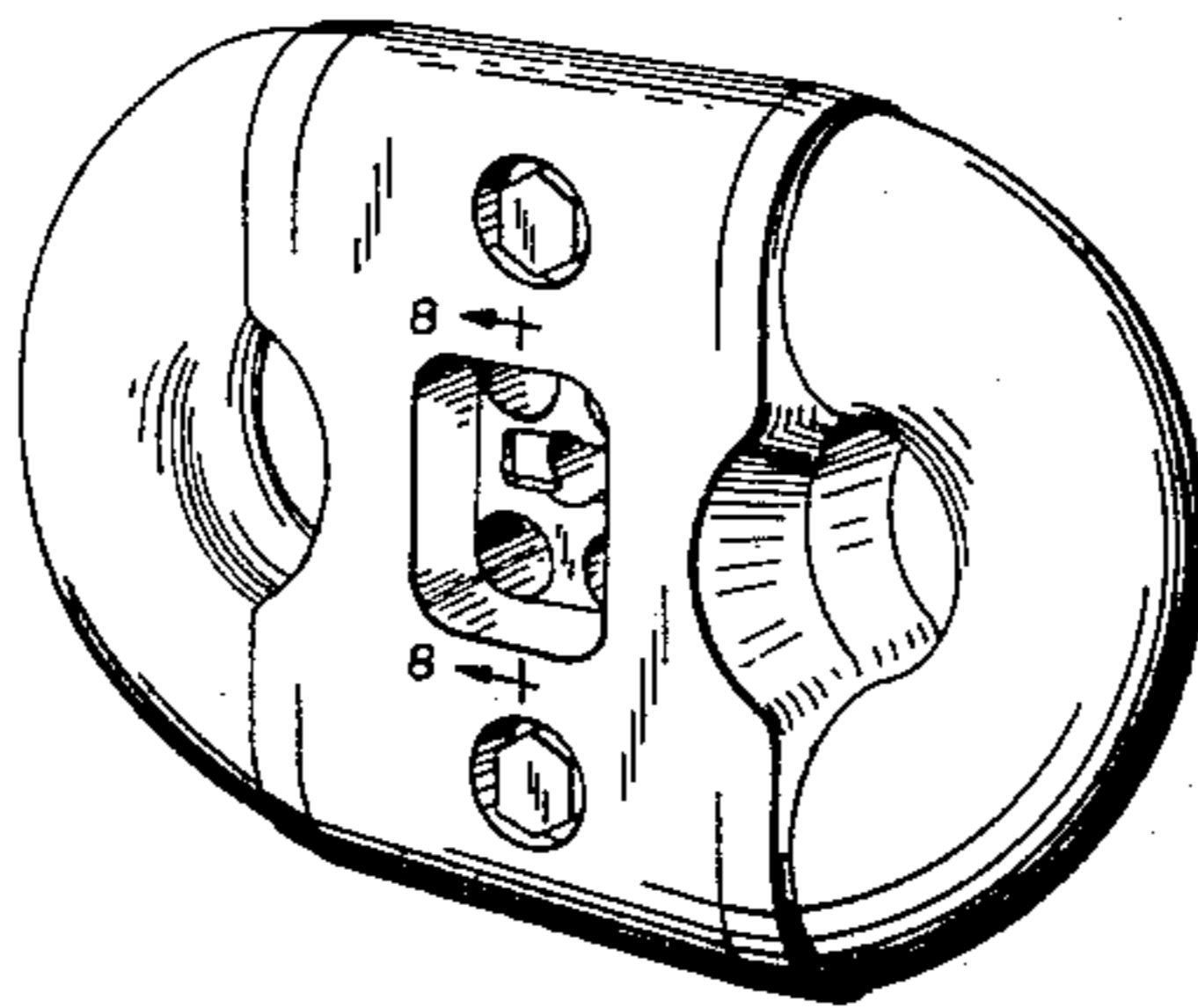
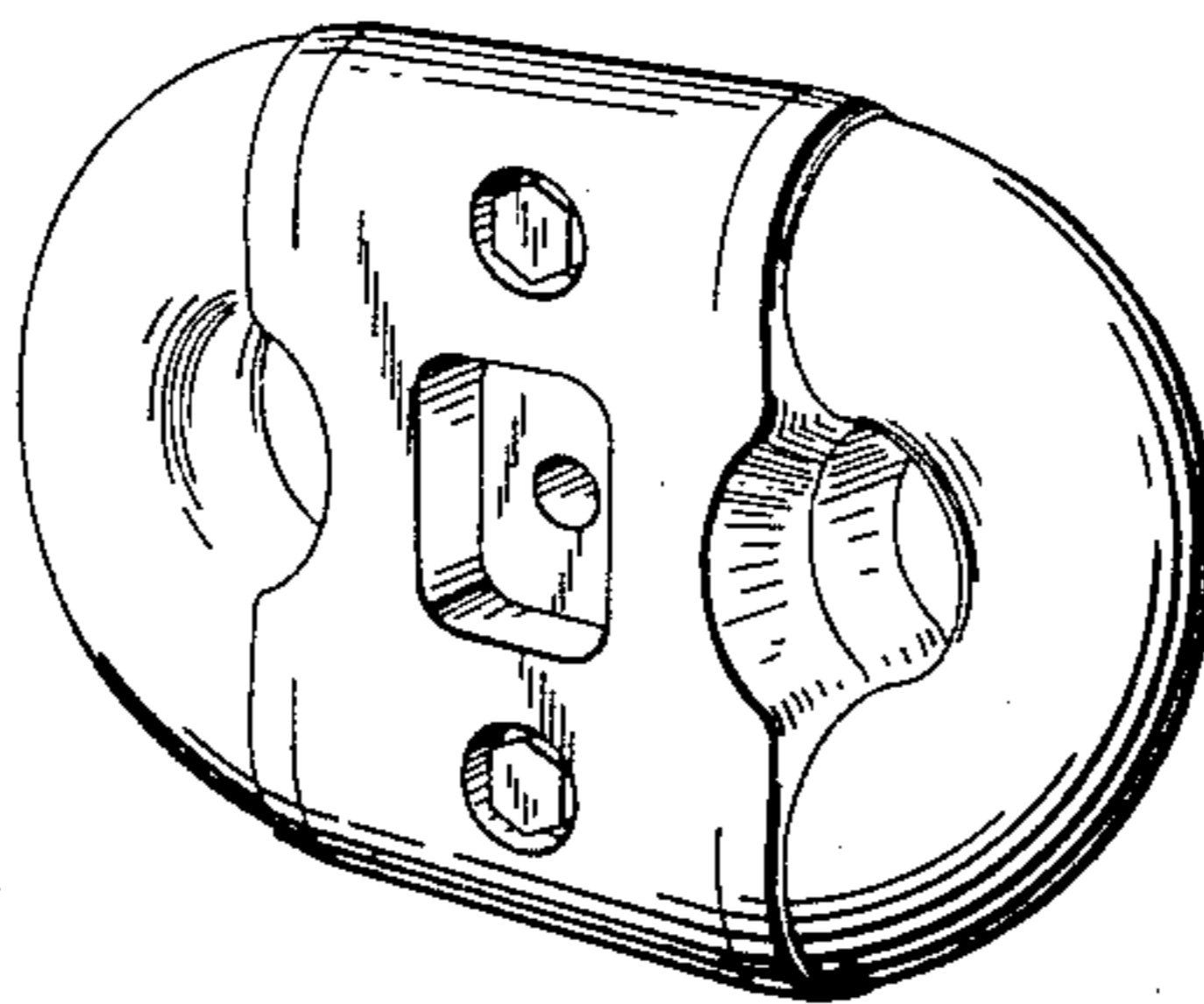
FIG. 4 is an enlarged side elevational view thereof, both sides being identical;

FIG. 5 is an enlarged bottom plan view thereof;

FIG. 6 is a further enlarged fragmentary sectional view taken in the direction of the arrows on line 6—6 of FIG. 3;

FIG. 7 is a bottom perspective view of a second embodiment of the design of FIG. 1, the only difference being the inclusion of the four cylindrical recesses and the rectangular depression across the central opening; the top being identical to FIG. 2;

FIG. 8 is an enlarged fragmentary sectional view taken along line 8—8 of FIG. 7.



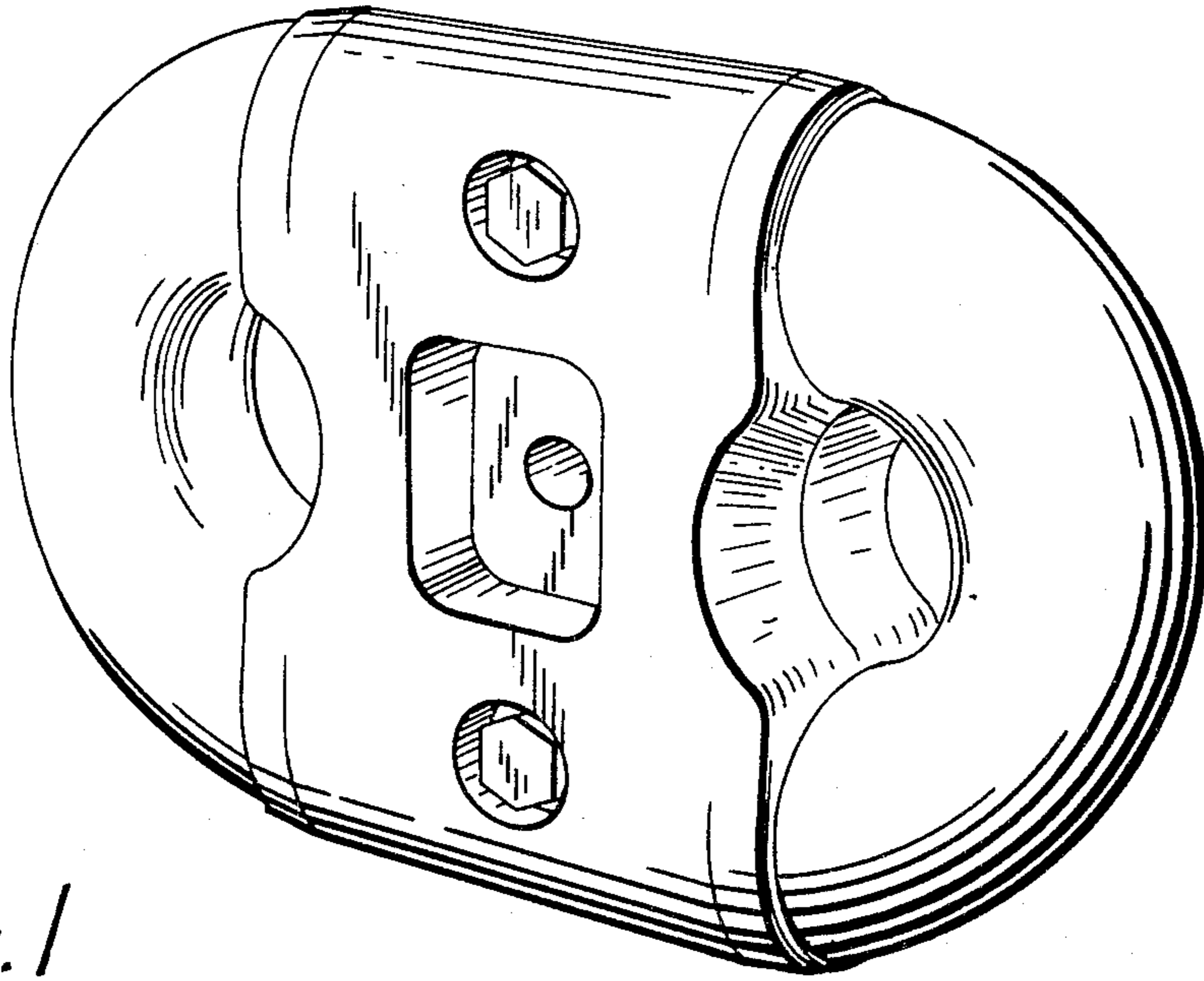


Fig. 1

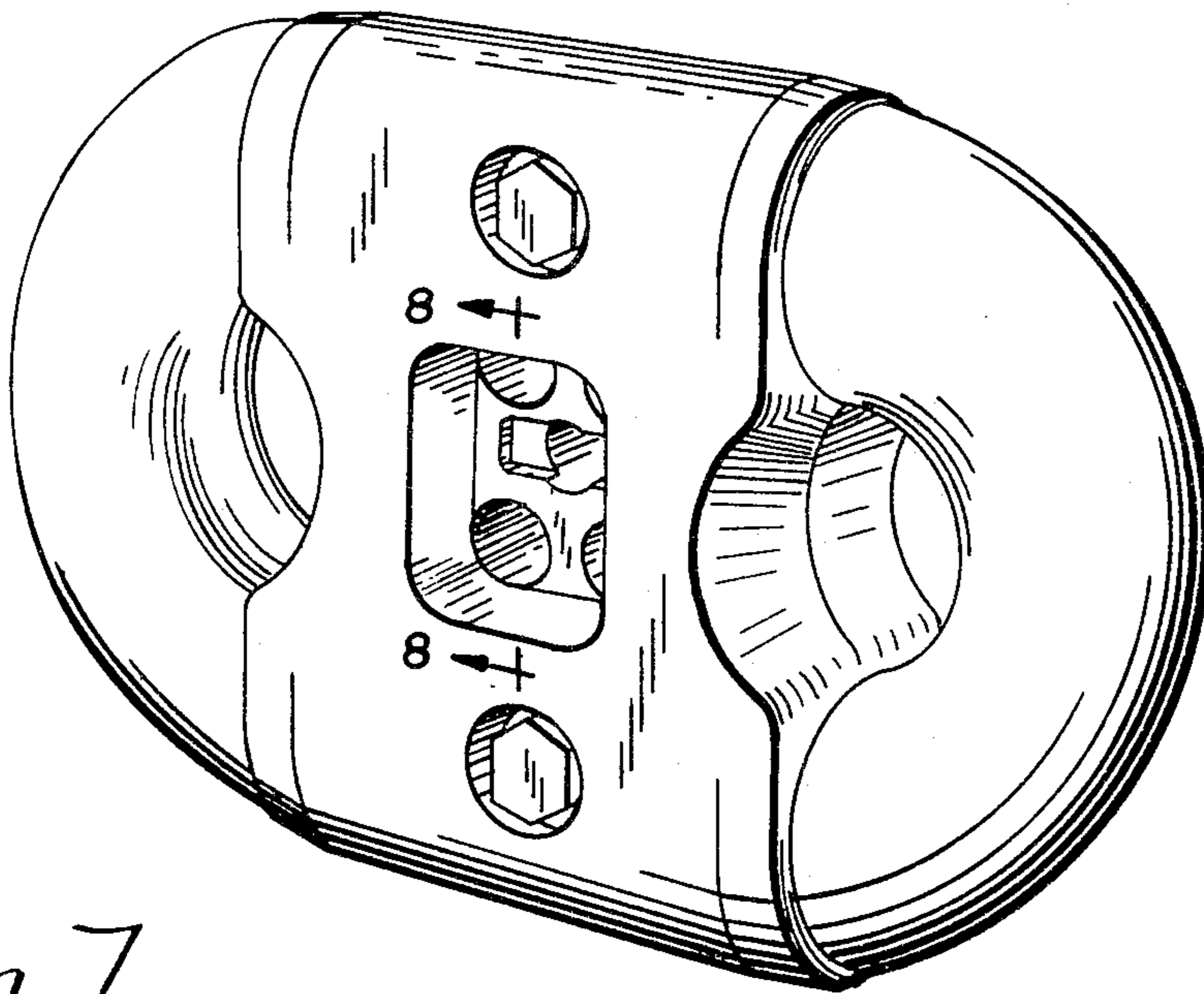


Fig. 7

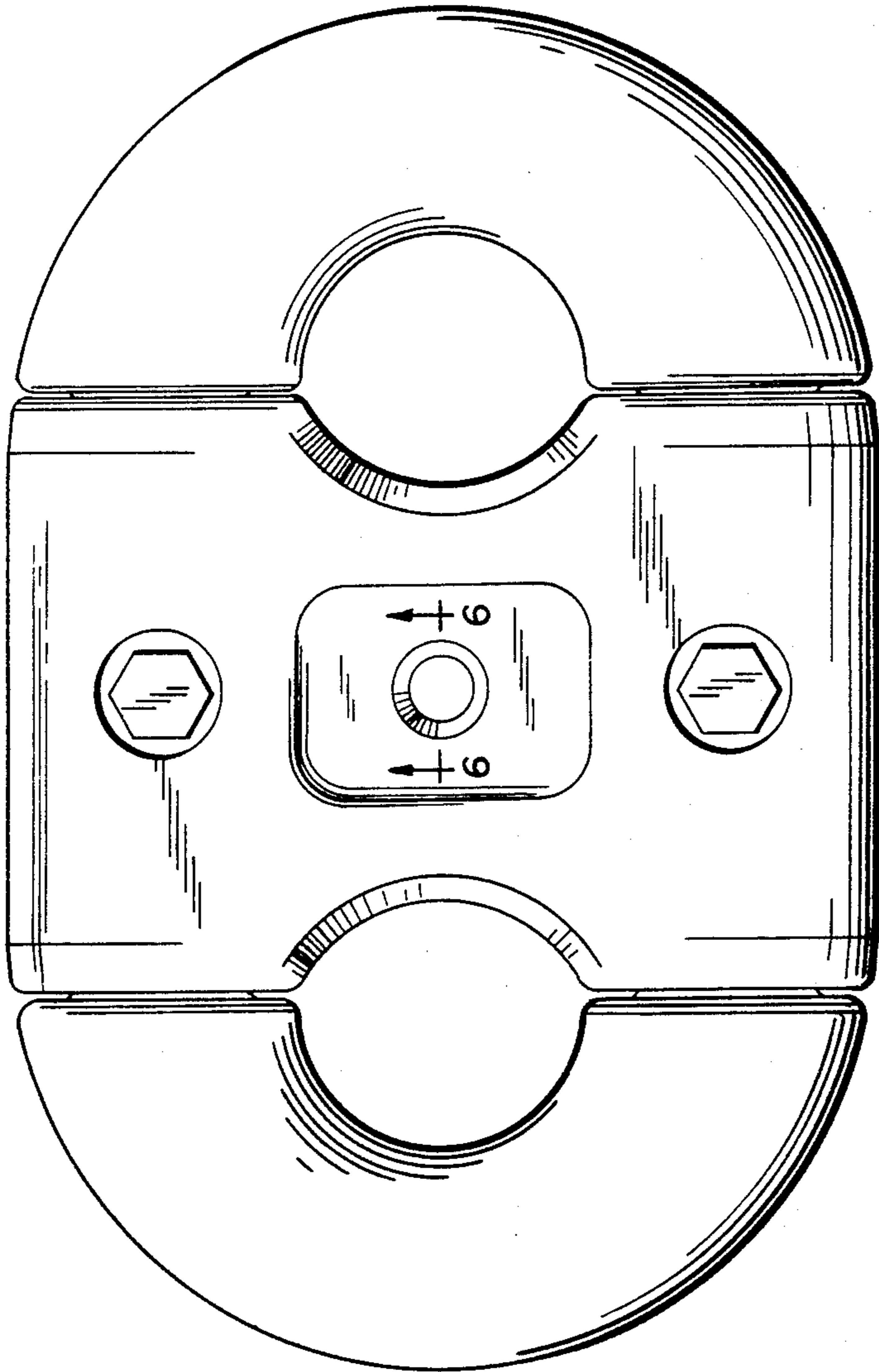


Fig. 2

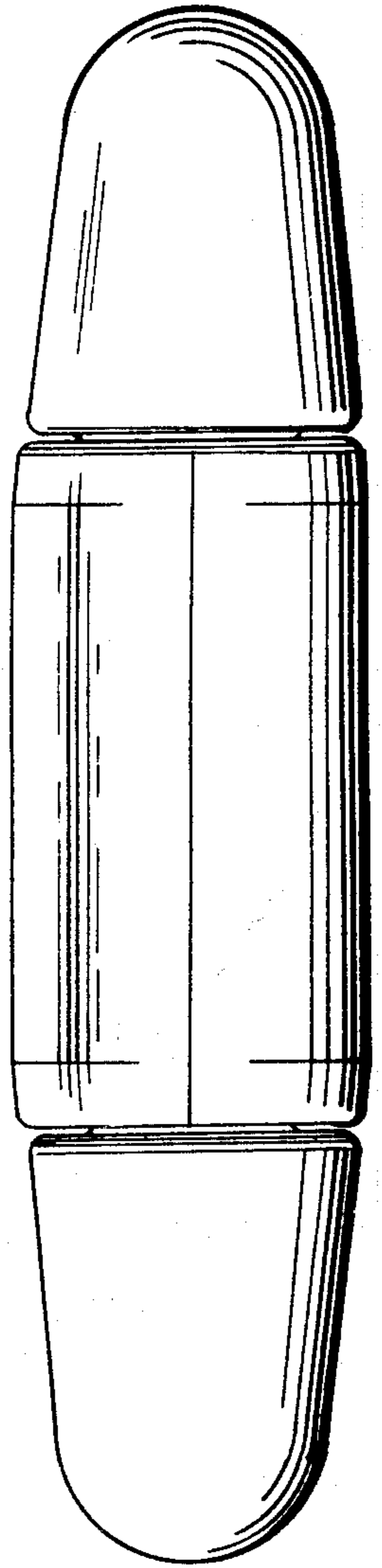


Fig. 4

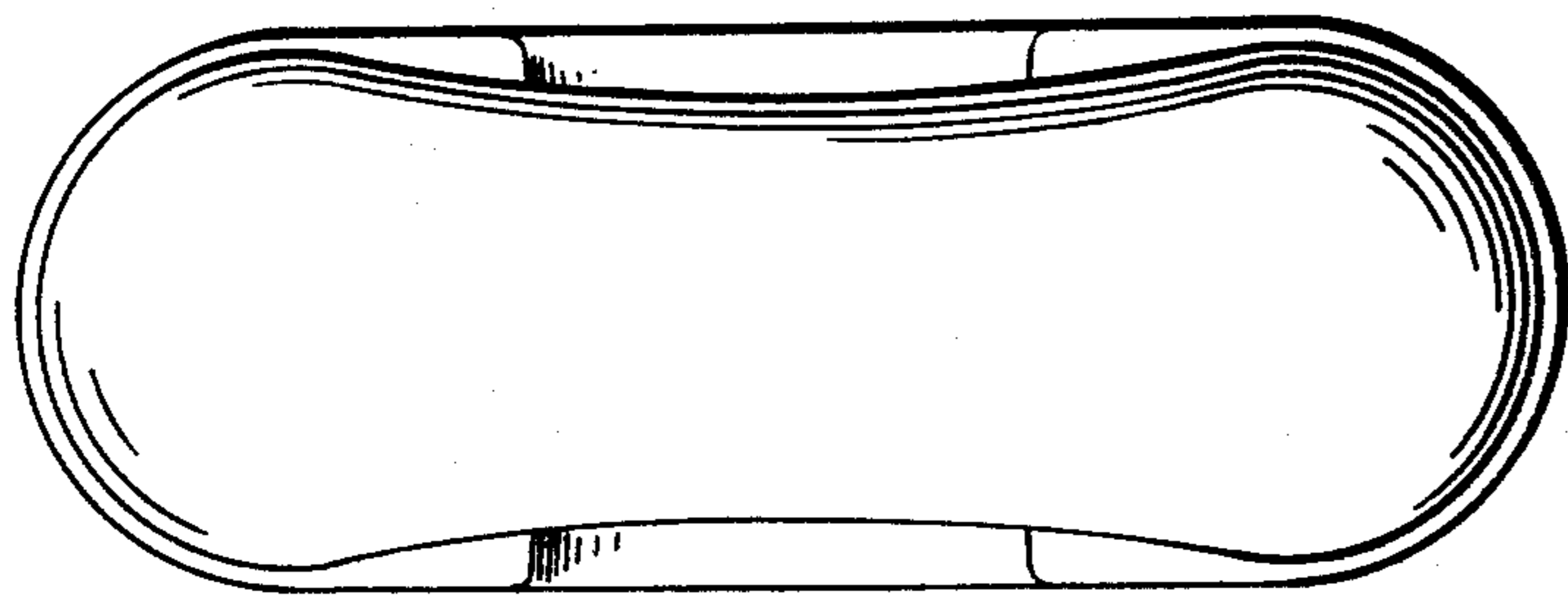


Fig. 3

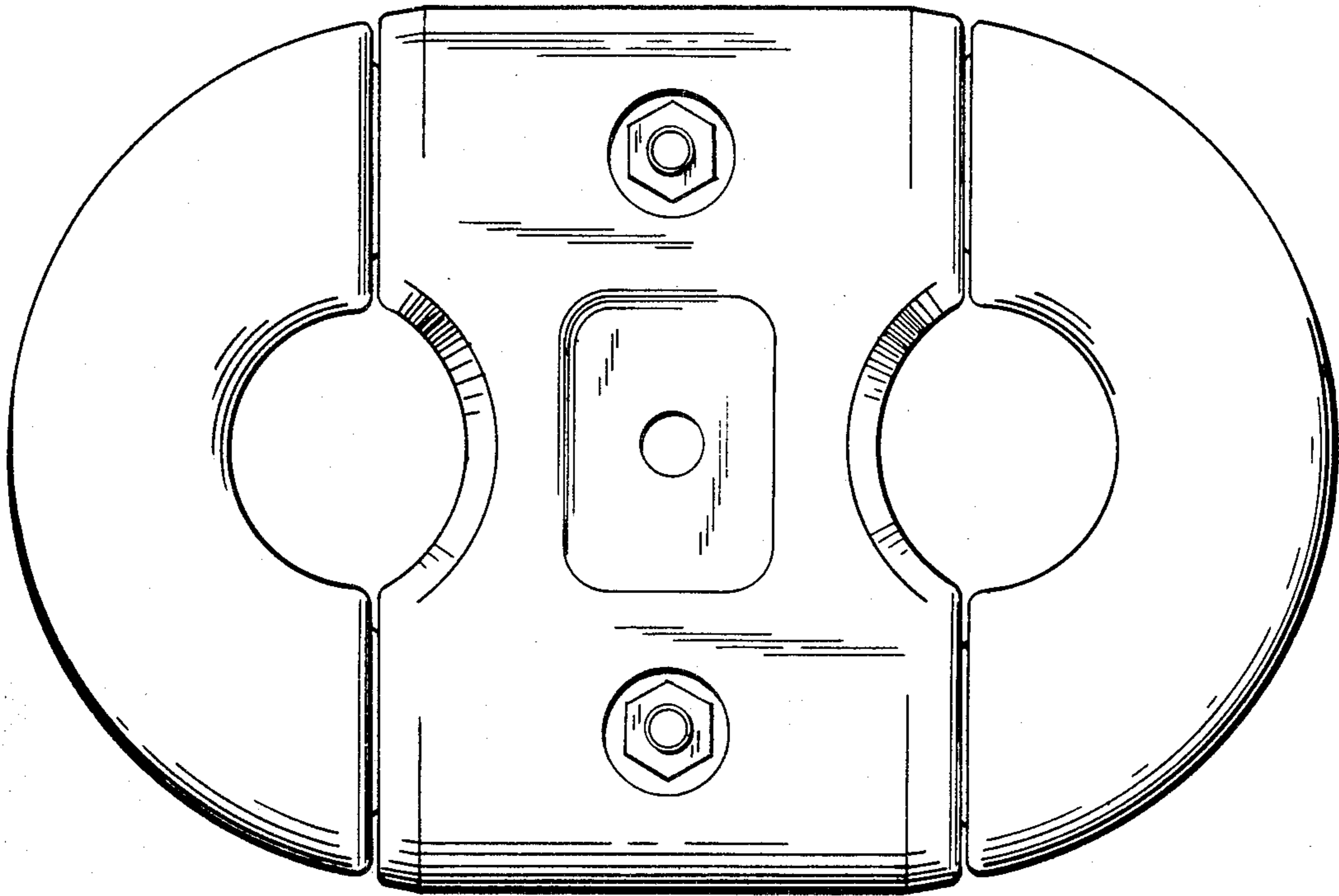


Fig. 5

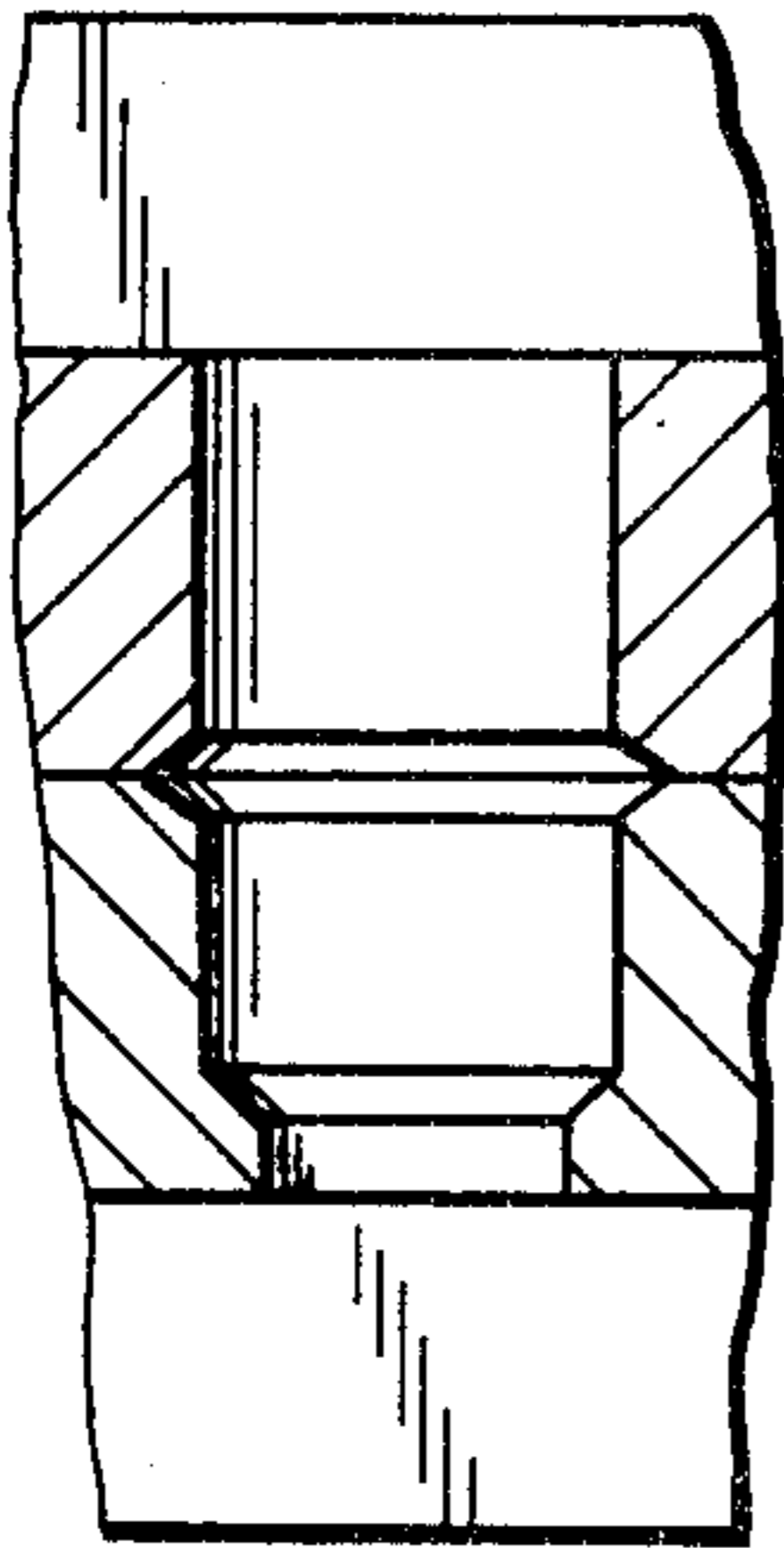


Fig. 6

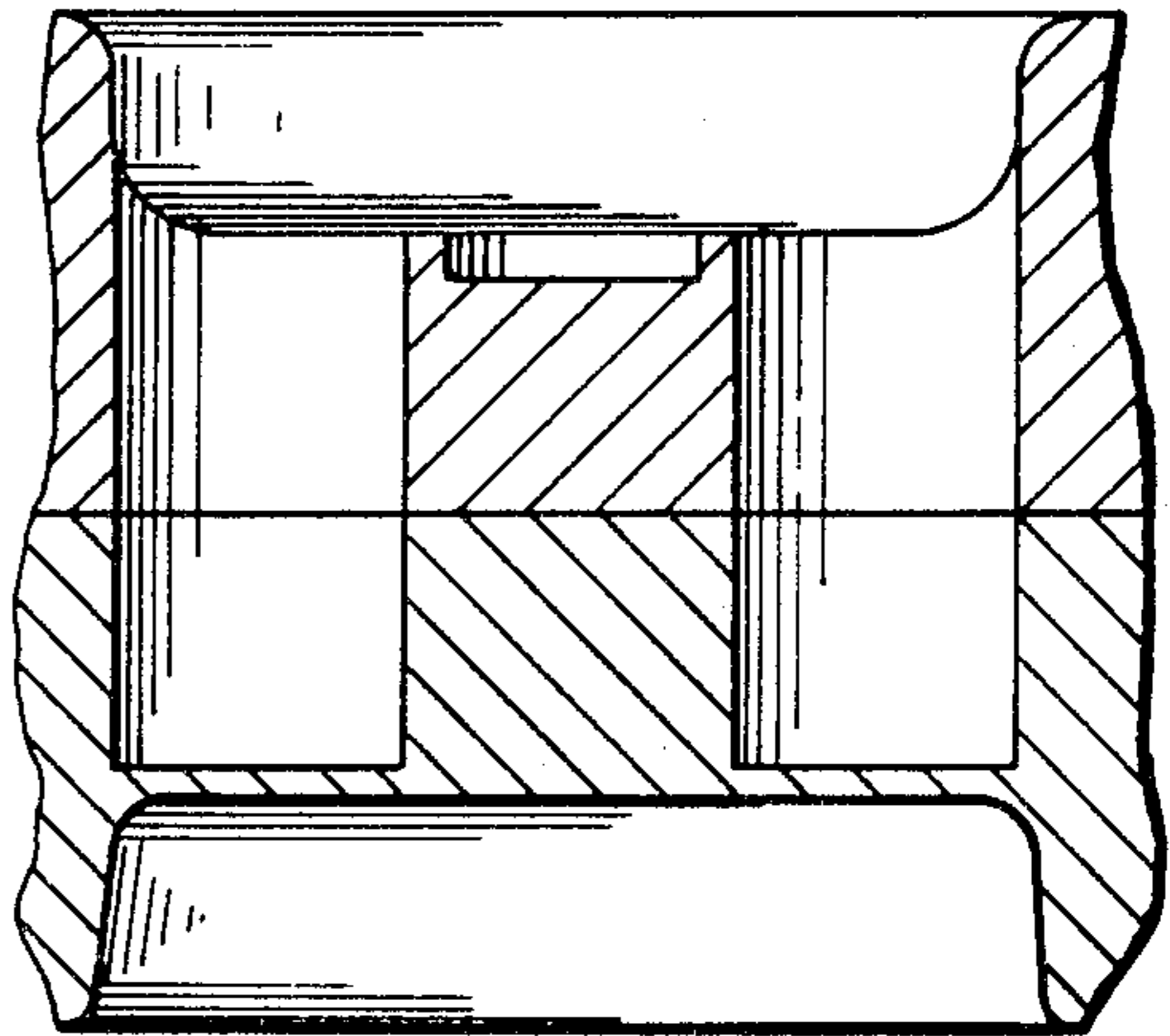


Fig. 8