

[54] EARTH ANCHOR

[75] Inventors: Richard C. Wilson, Champlin, Minn.; Charles J. MacKarvich, Atlanta, Ga.

[73] Assignee: Tie Down Engineering, Inc., Atlanta, Ga.

[**] Term: 14 Years

[21] Appl. No.: 655,243

[22] Filed: Sep. 28, 1984

[52] U.S. Cl. D8/388; D8/356; D21/255

[58] Field of Search D8/1, 388, 356; D21/255; 52/155; 135/118; 248/499

[56] References Cited

U.S. PATENT DOCUMENTS

D. 245,224 8/1977 Bowers D8/388

D. 270,365	8/1983	Hawk	D8/356
3,080,024	3/1963	Clevett	52/155
3,754,360	8/1973	Herr	52/155
3,788,336	1/1974	Steffes	135/118

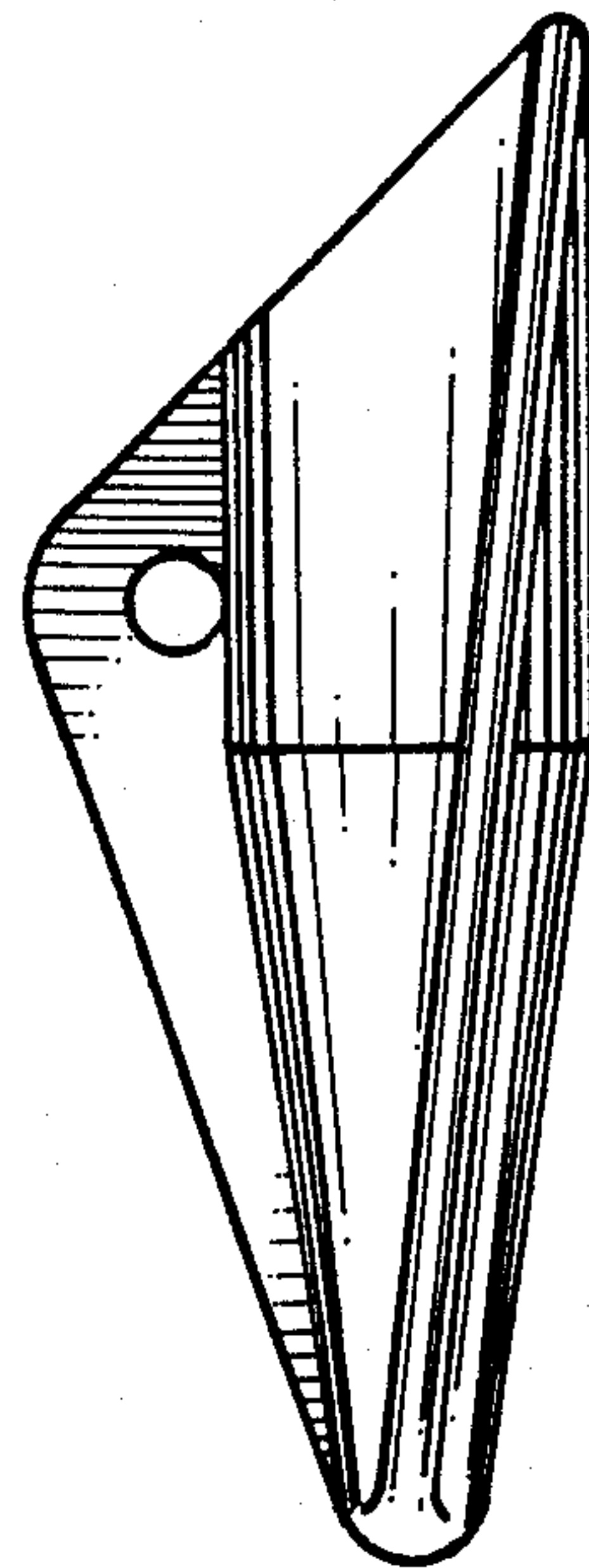
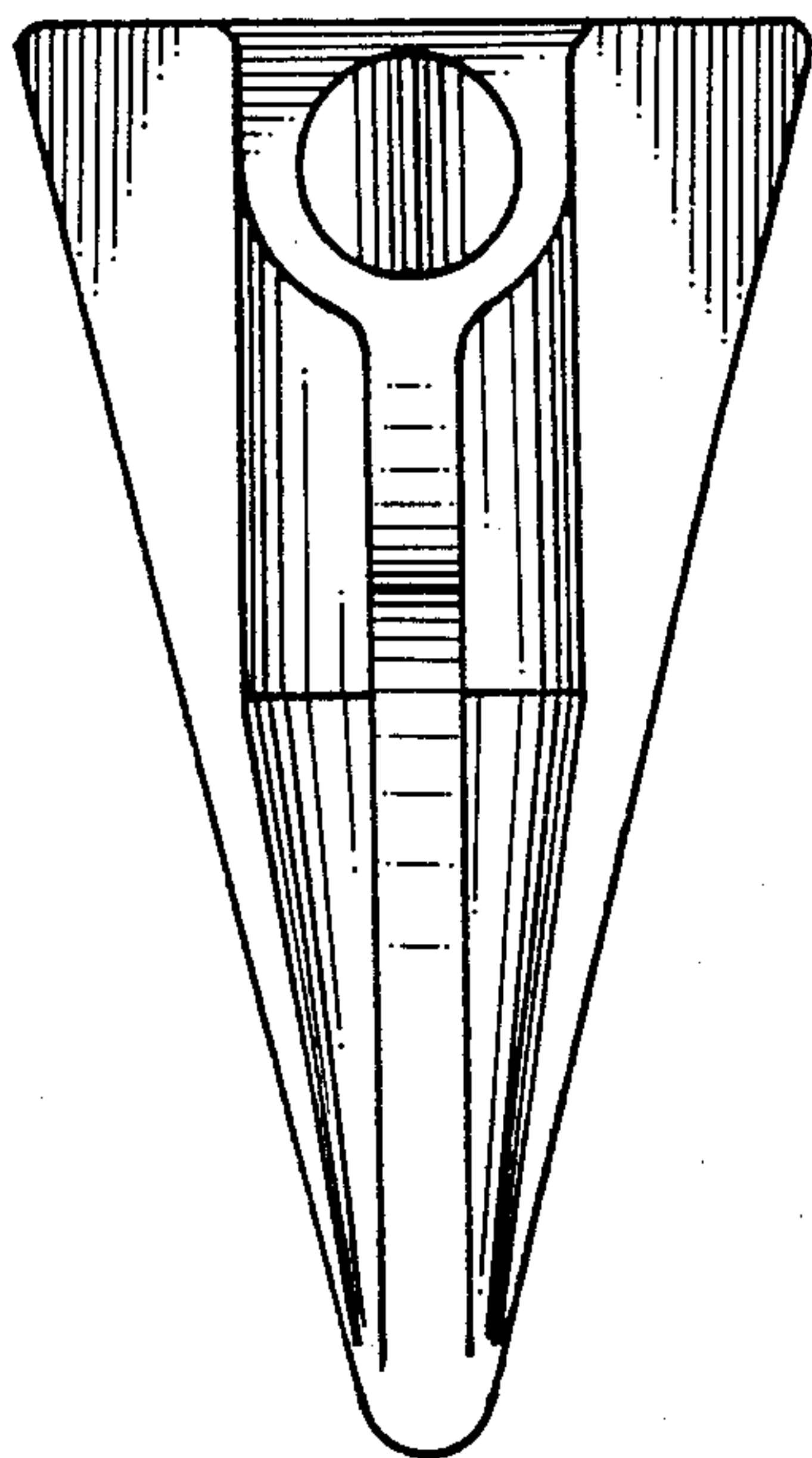
Primary Examiner—B. J. Bullock
Attorney, Agent, or Firm—James R. Haller

[57] CLAIM

The ornamental design for an earth anchor, as shown and described.

DESCRIPTION

FIG. 1 is a front view of an earth anchor showing our new design;
FIG. 2 is a top view thereof, shown broken away for clarity of illustration;
FIG. 3 is a bottom view thereof;
FIG. 4 is a right side view thereof, the side opposite being a mirror image;
FIG. 5 is a rear view thereof.



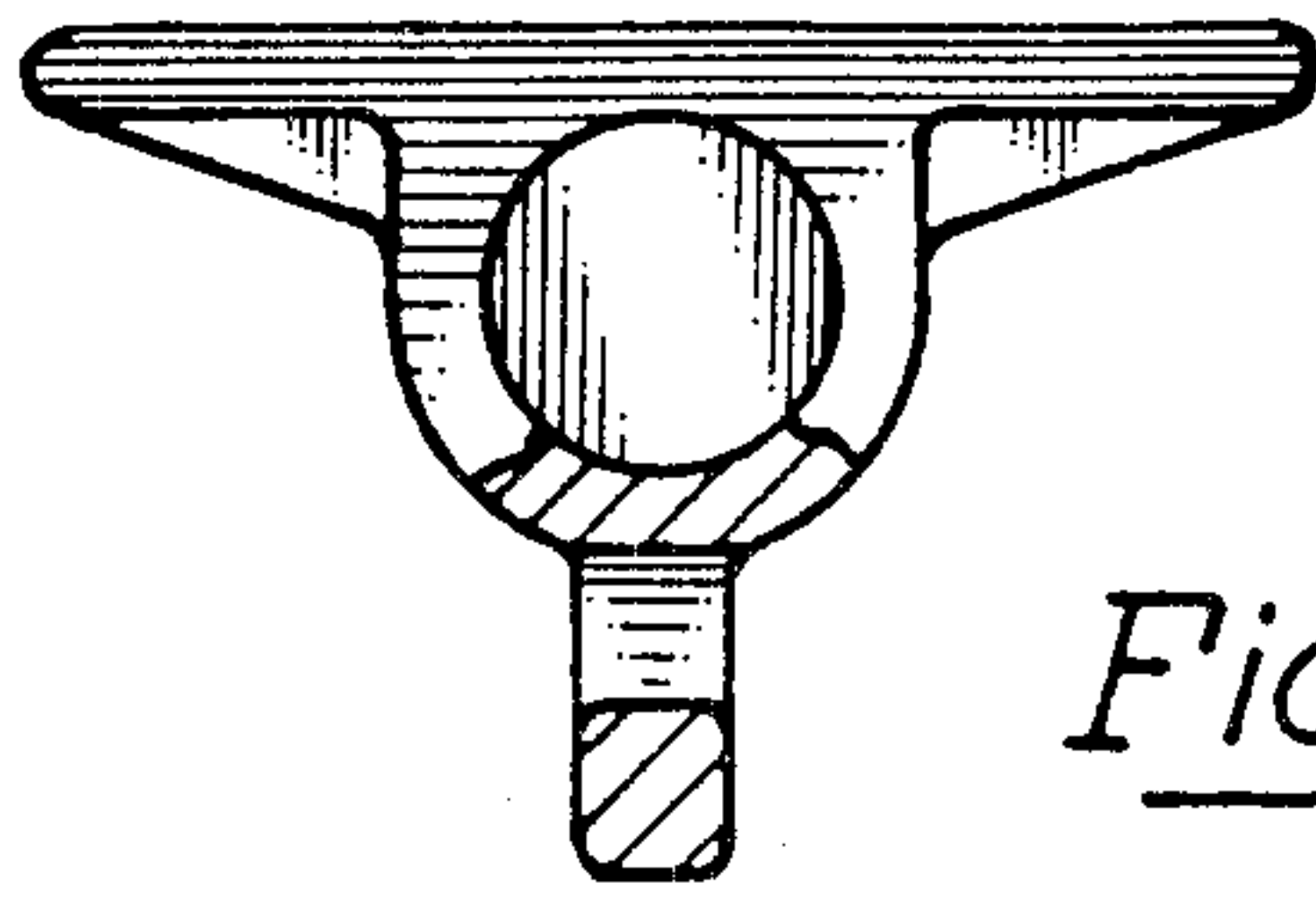


Fig. 2

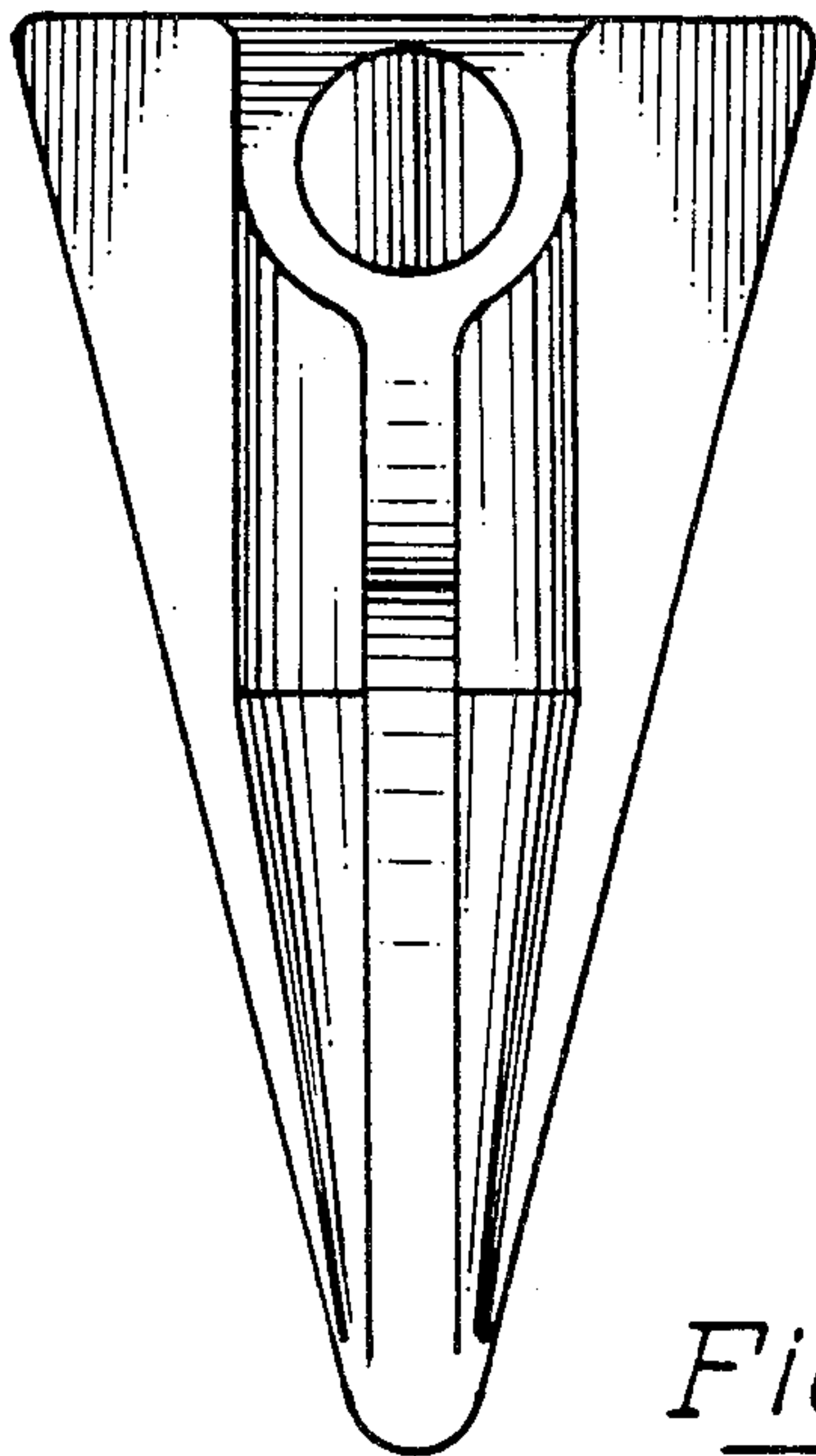


Fig. 1

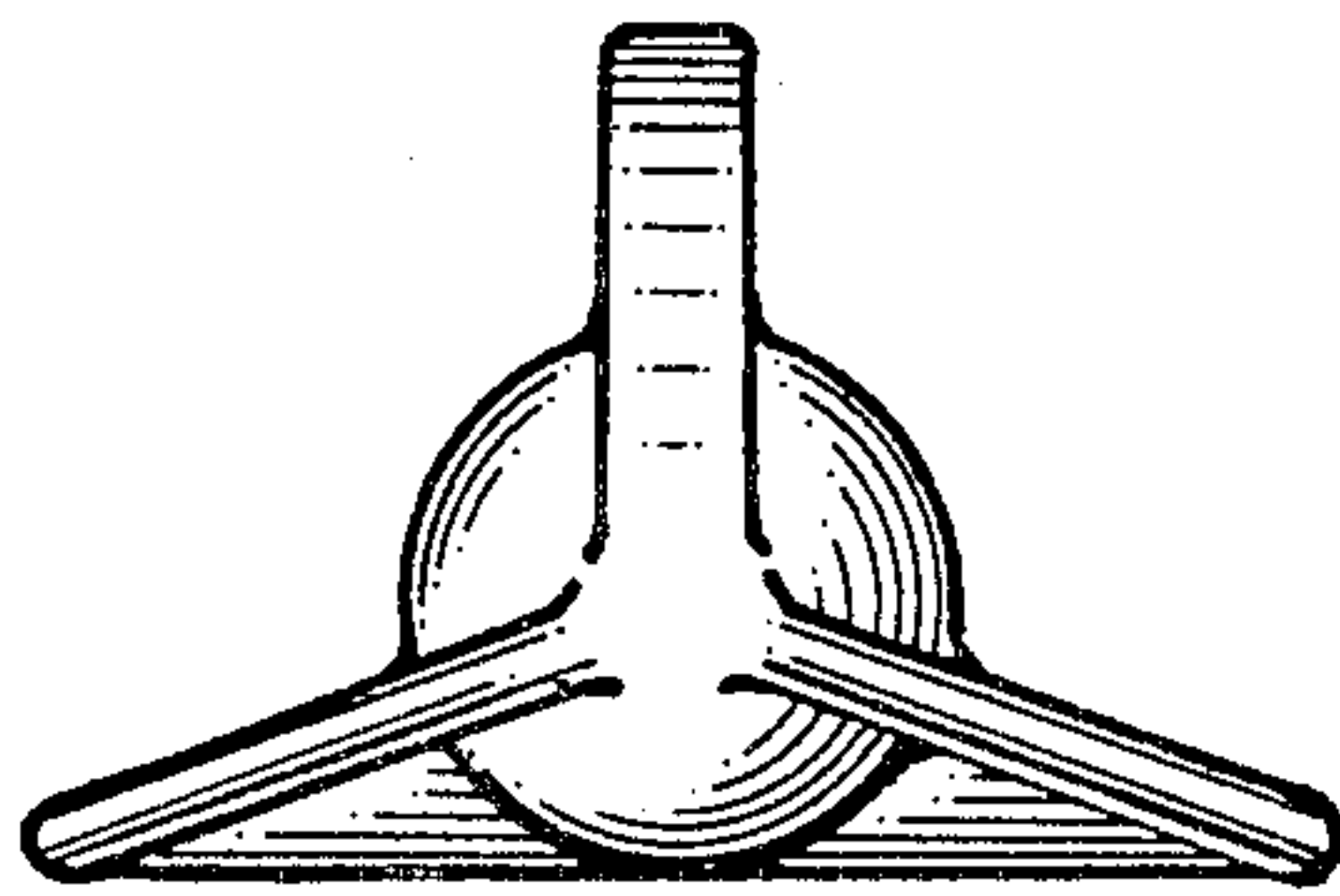


Fig. 3

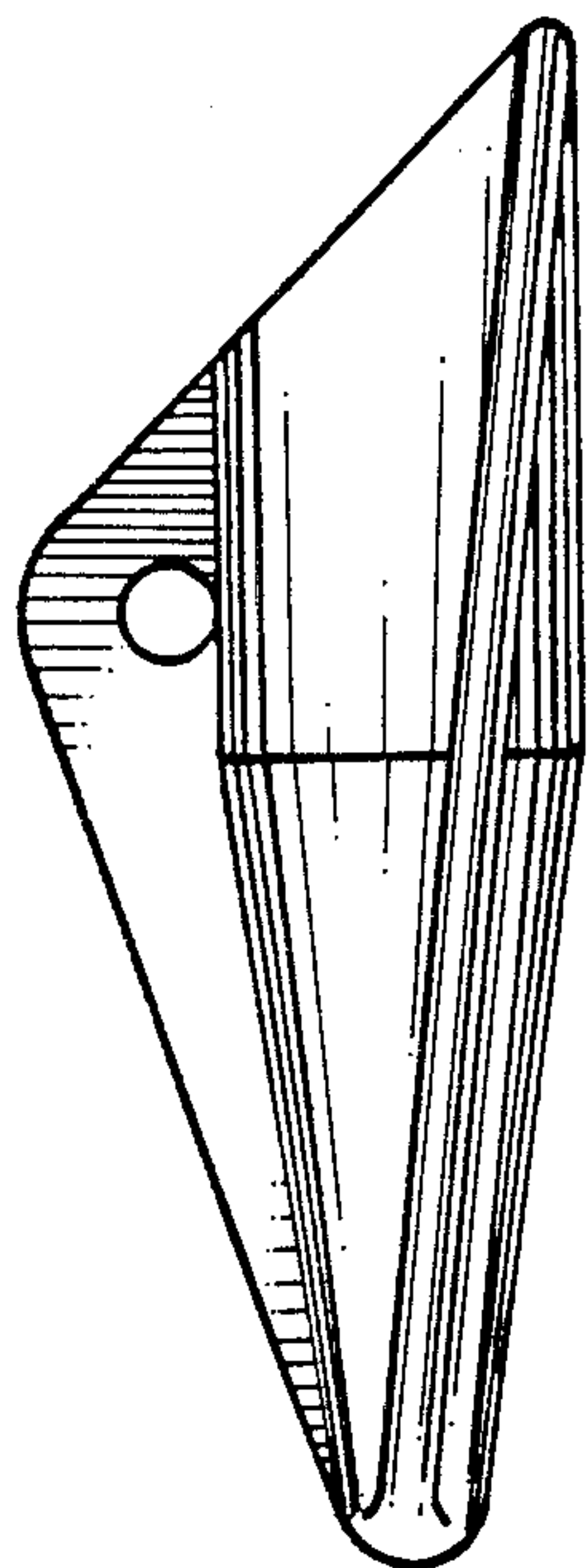


Fig. 4

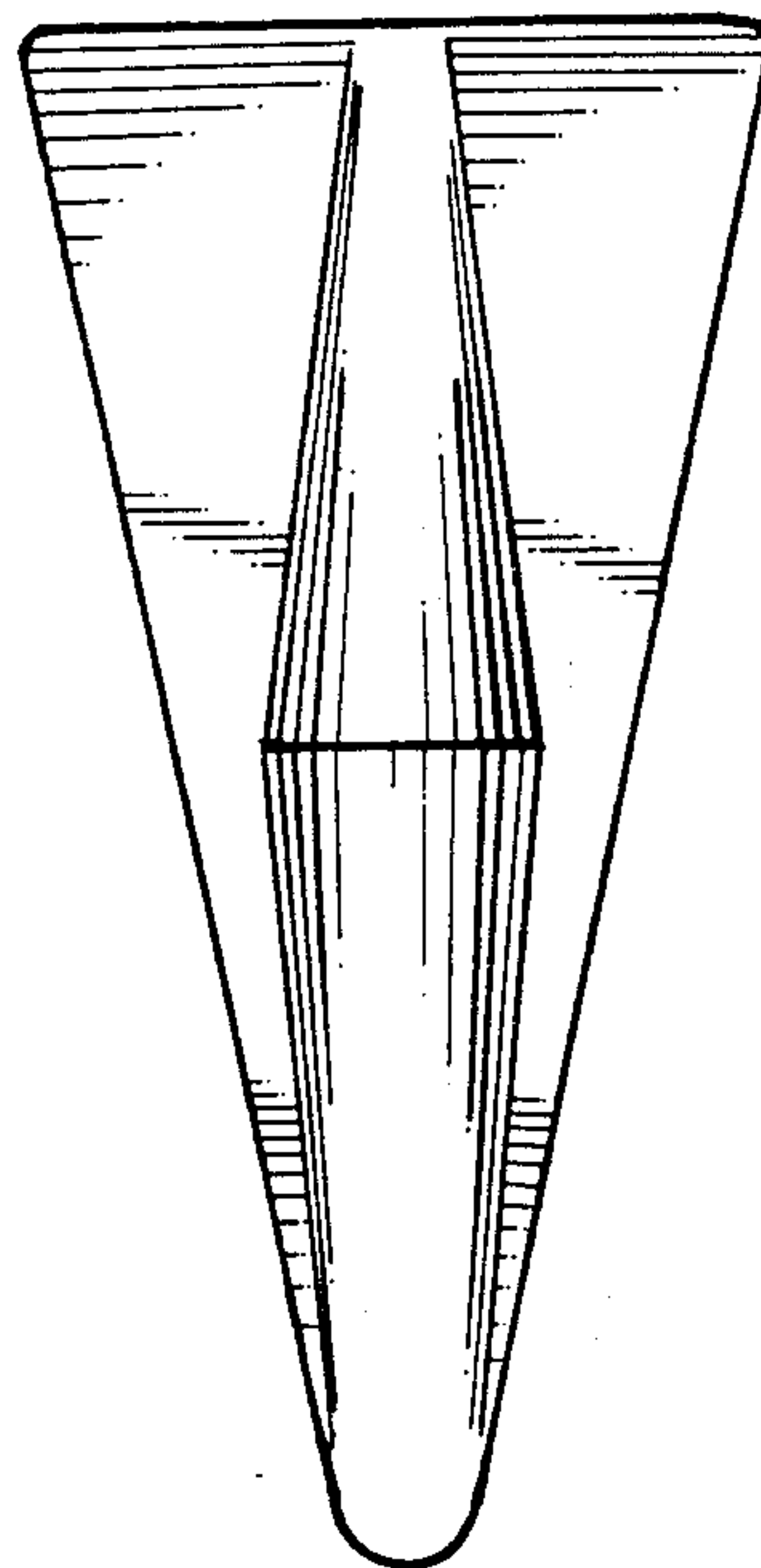


Fig. 5