

[54] CLEAT

[75] Inventor: Bruce D. Nelson, Minneapolis, Minn.

[73] Assignee: Goldeneye Products, Inc.,
Minneapolis, Minn.

[**] Term: 14 Years

[21] Appl. No.: 583,409

[22] Filed: Feb. 24, 1984

[52] U.S. Cl. D8/382

[58] Field of Search D8/382; 114/218;
24/129 R

[56] References Cited

U.S. PATENT DOCUMENTS

D. 209,329	11/1967	Coderre	D8/382
D. 209,330	11/1967	Coderre	D8/382
D. 255,419	6/1980	Hume	D8/382
3,398,714	8/1968	Wallen et al.	114/218

3,715,782	2/1973	Newell	24/129 R
3,948,203	4/1976	Matthews	114/218
4,373,463	2/1983	Beaudette	114/218

Primary Examiner—B. J. Bullock
Attorney, Agent, or Firm—Peterson, Wicks, Nemer &
Kamrath

[57] CLAIM

The ornamental design for a cleat, substantially as shown and described.

DESCRIPTION

FIG. 1 is a perspective view of a cleat showing my new design;
FIG. 2 is an end elevational view thereof, both ends being identical;
FIG. 3 is a top plan view thereof, and
FIG. 4 is a side elevational view thereof, both sides being identical.
The bottom is flat and unornamented.

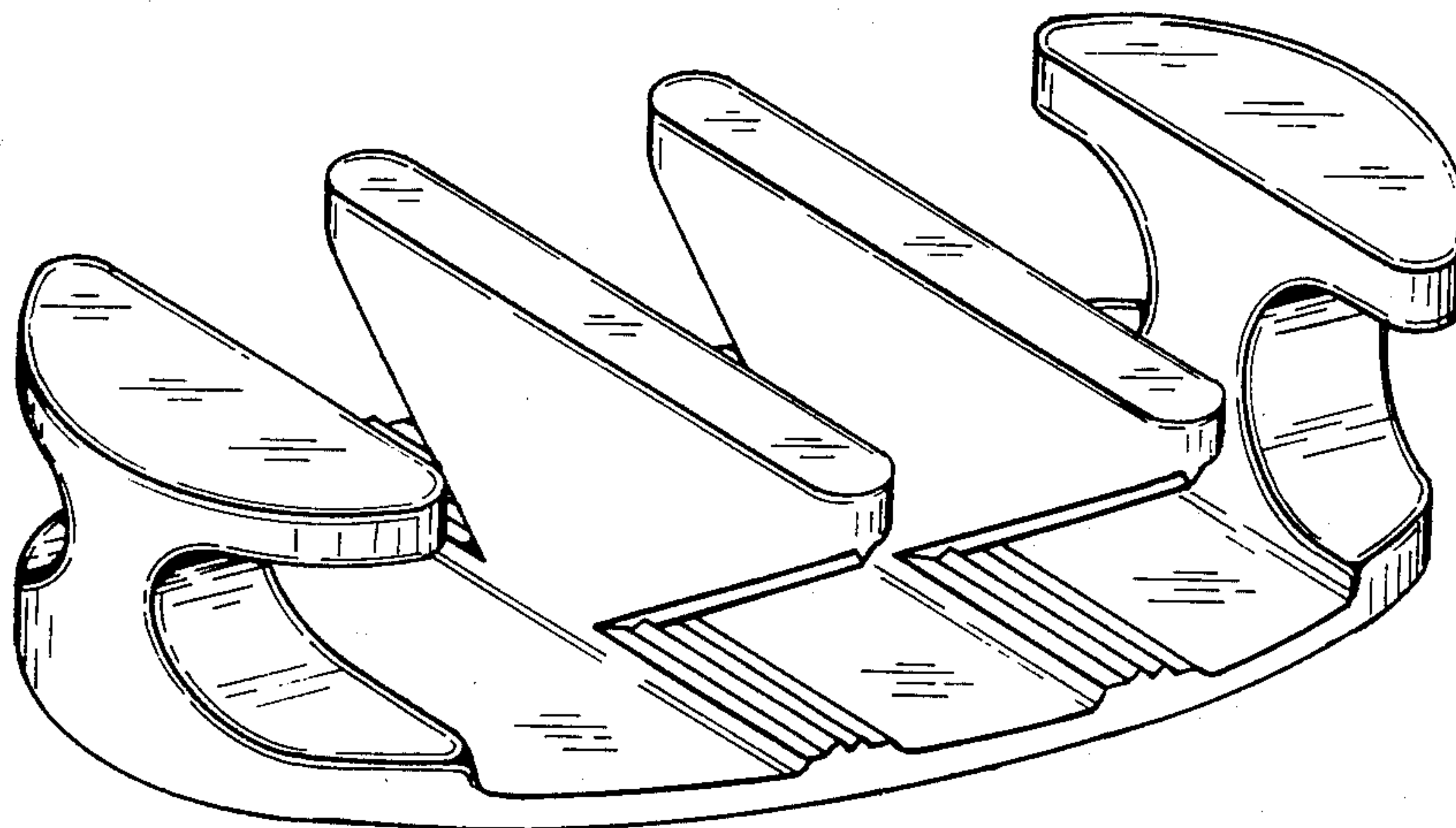


Fig. 1

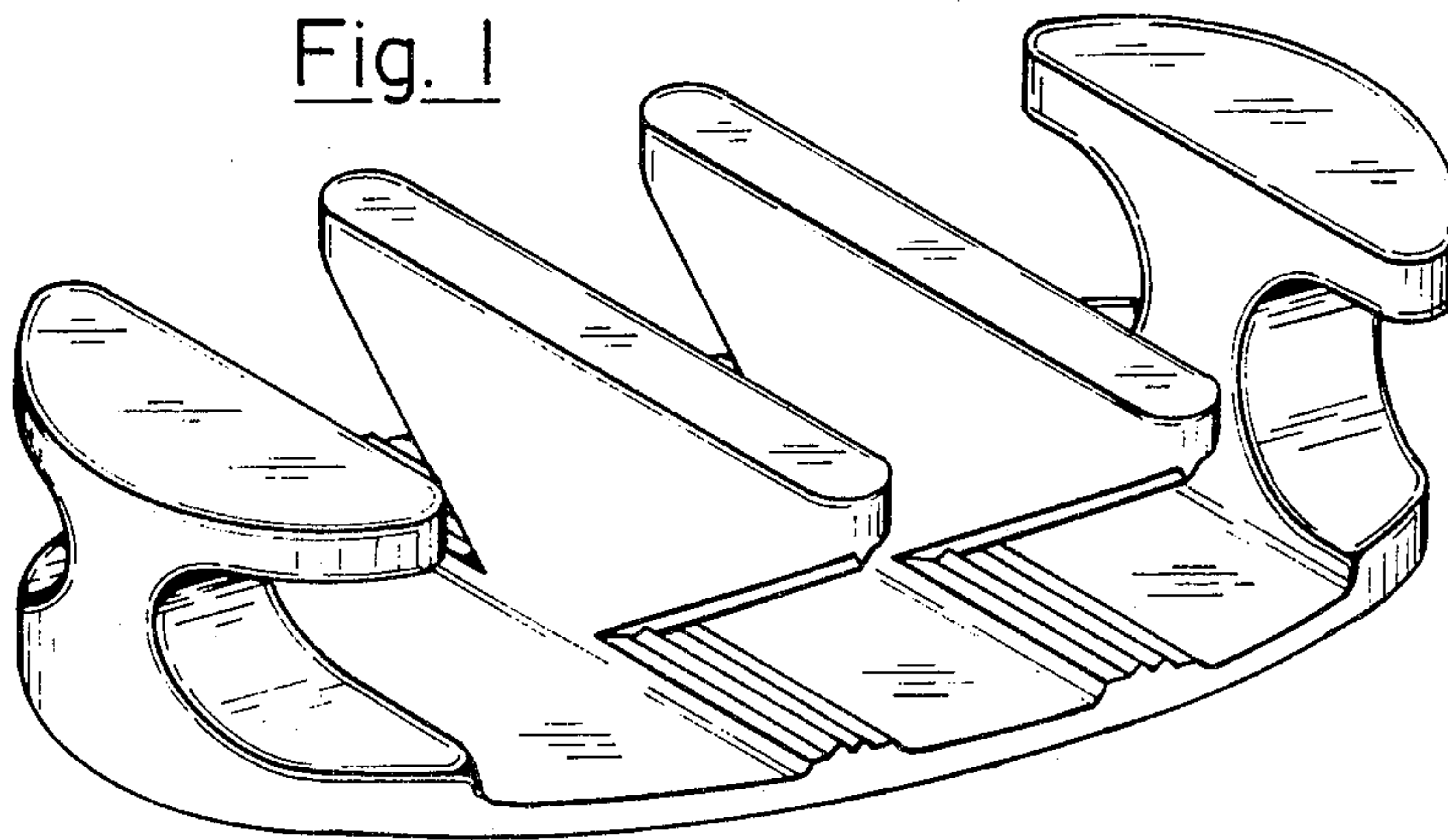


Fig. 2

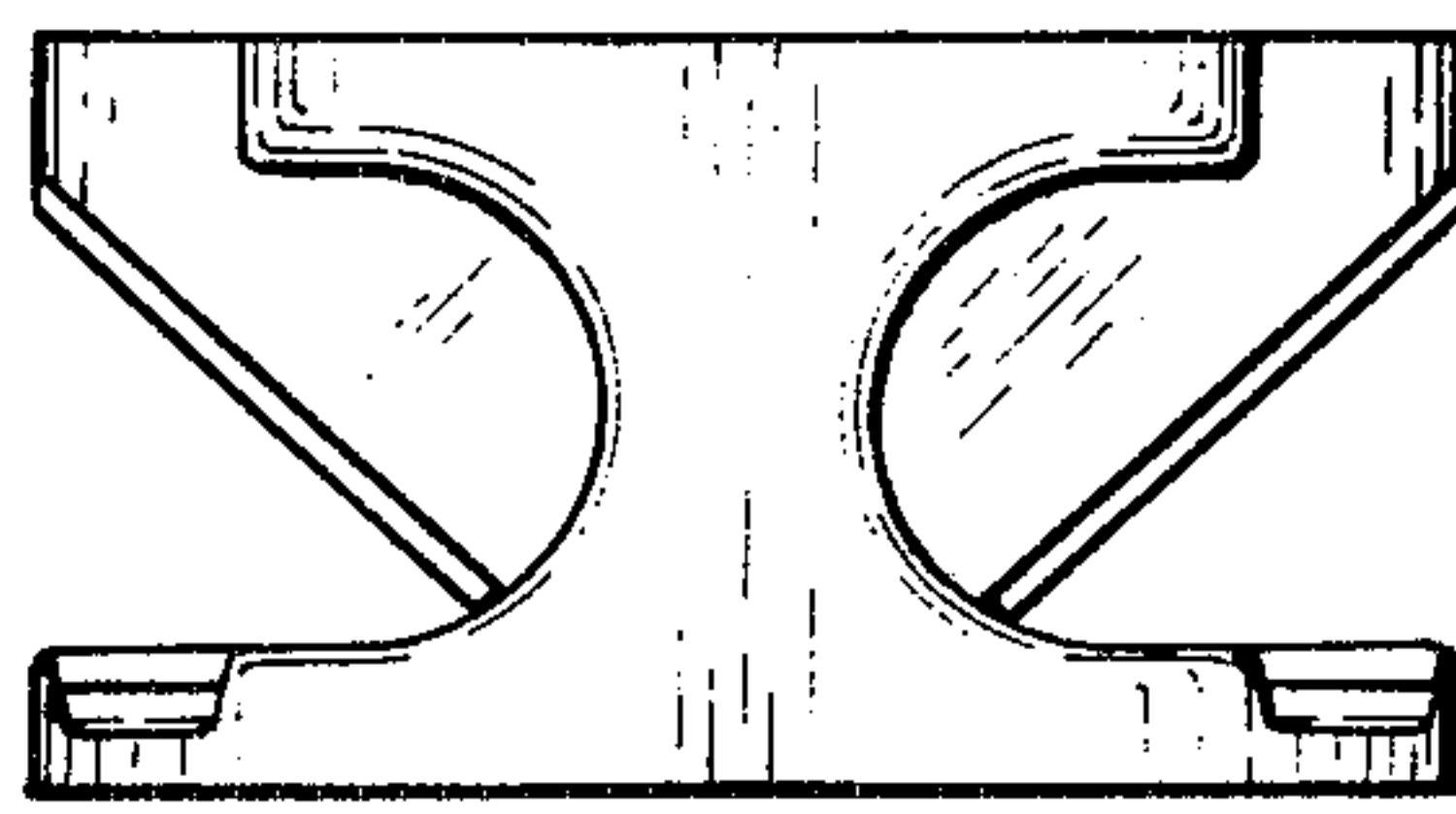


Fig. 3

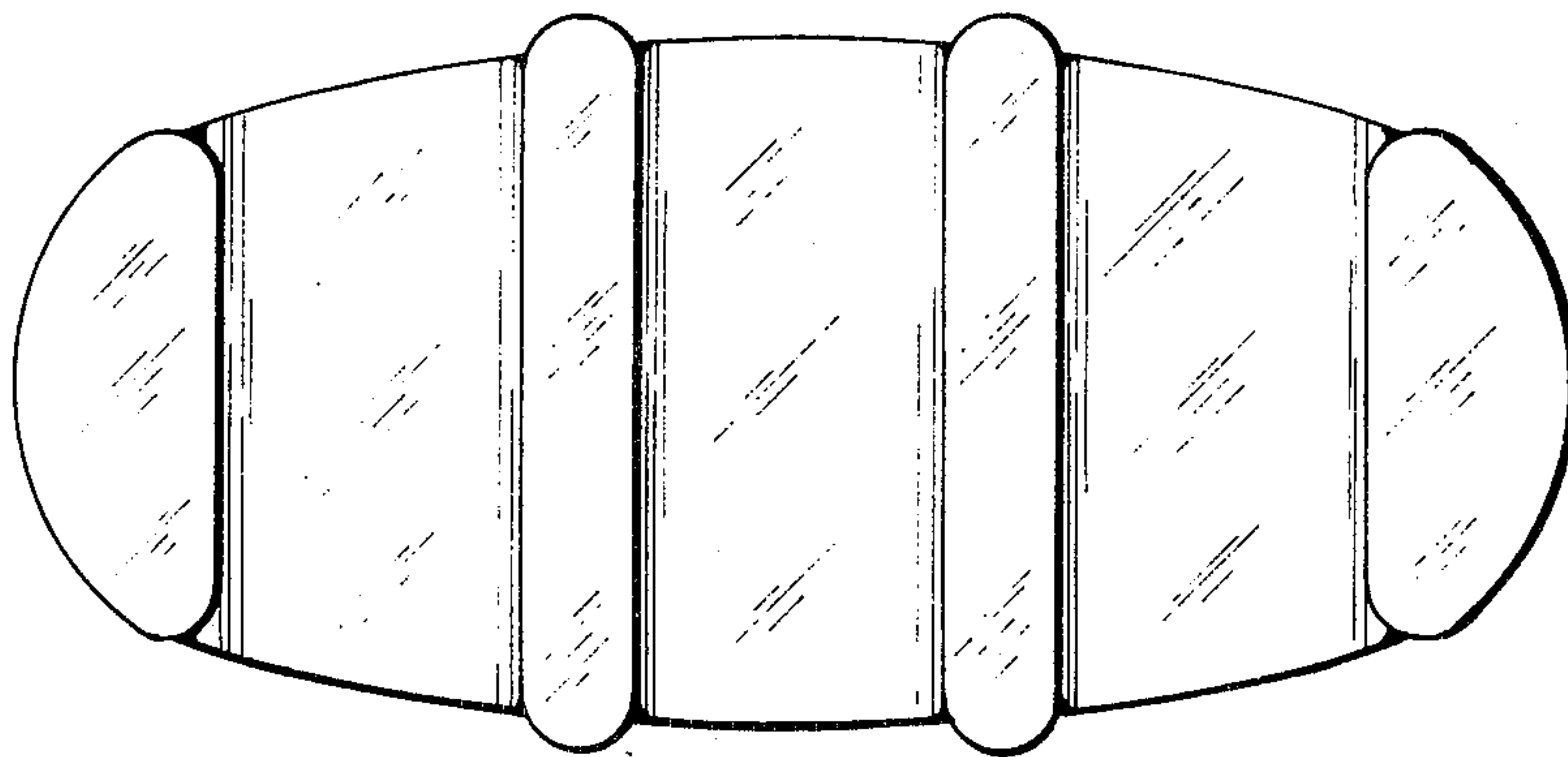


Fig. 4

