

[54] SHARPENING STONE HOLDER

[75] Inventor: James P. Hunter, Hot Springs, Ark.

[73] Assignee: Kaman Sciences Corporation, Colorado Springs, Colo.

[\*\*] Term: 14 Years

[21] Appl. No.: 591,814

[22] Filed: Mar. 21, 1984

[52] U.S. Cl. .... D8/91; D8/71

[58] Field of Search ..... D8/71, 90-94; 51/157, 158, 211 R, 211 H, 212, 214, 221 BS, 205 WG; 72/83, 88

[56] References Cited

U.S. PATENT DOCUMENTS

D. 109,074 3/1938 Walker ..... D8/93  
260,685 4/1882 Inslee ..... 51/212

816,599 4/1906 Pippy ..... 51/211 R  
1,935,592 11/1933 Stivers ..... 51/211 R  
3,882,642 5/1975 Sykes ..... D8/93 X

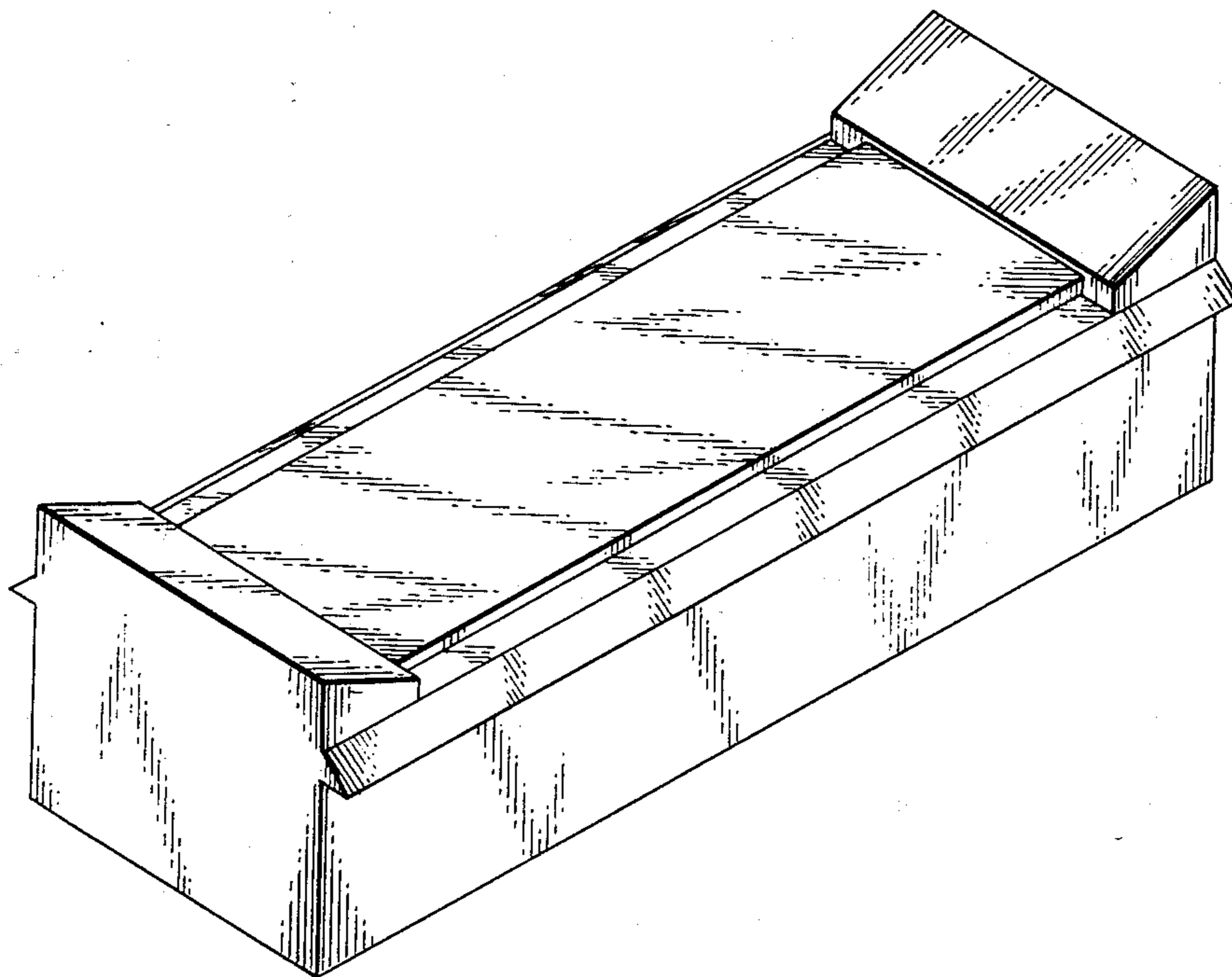
Primary Examiner—Susan J. Lucas  
Assistant Examiner—C. E. Heflin  
Attorney, Agent, or Firm—Max L. Wymore

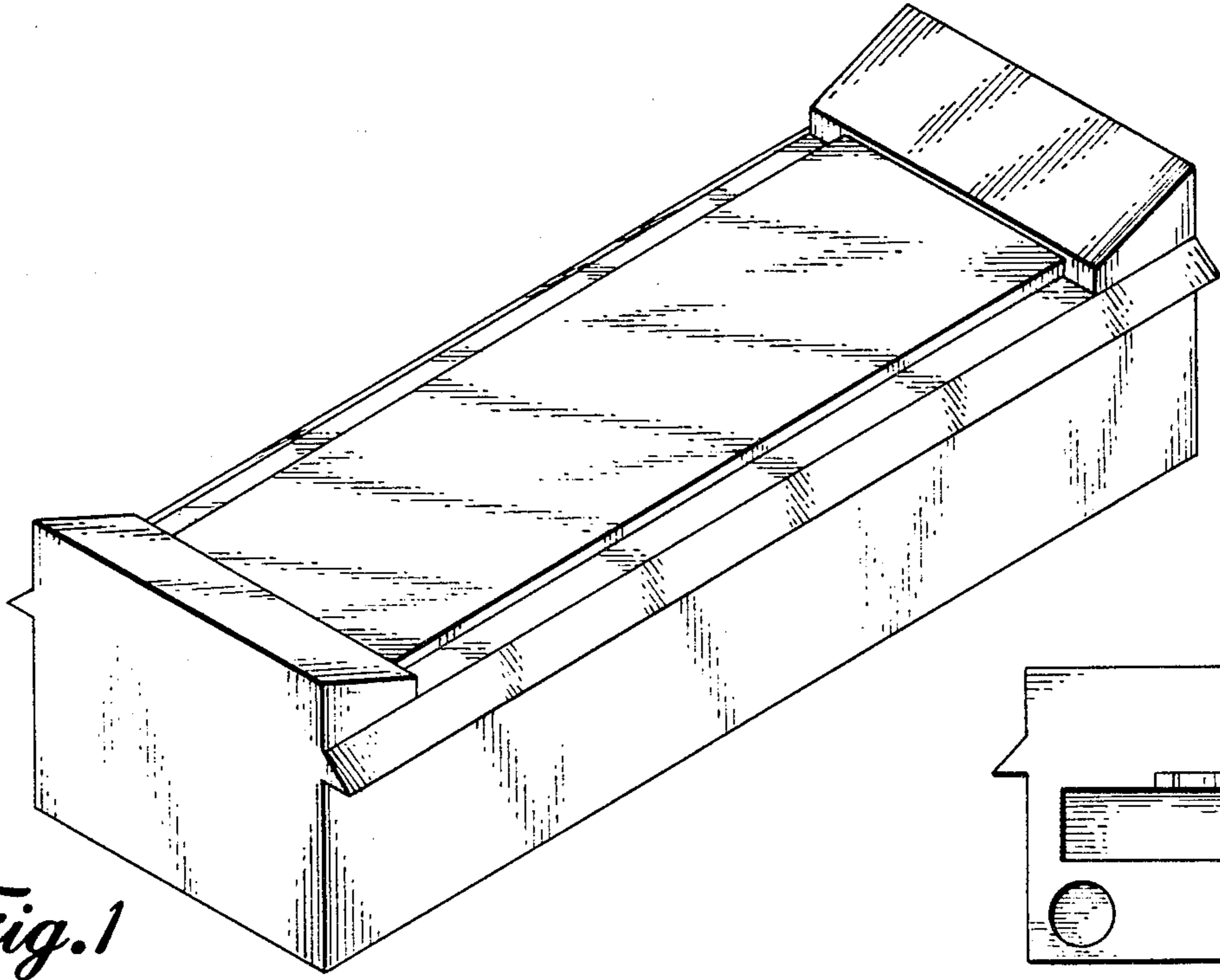
[57] CLAIM

The ornamental design for a sharpening stone holder, as shown and described.

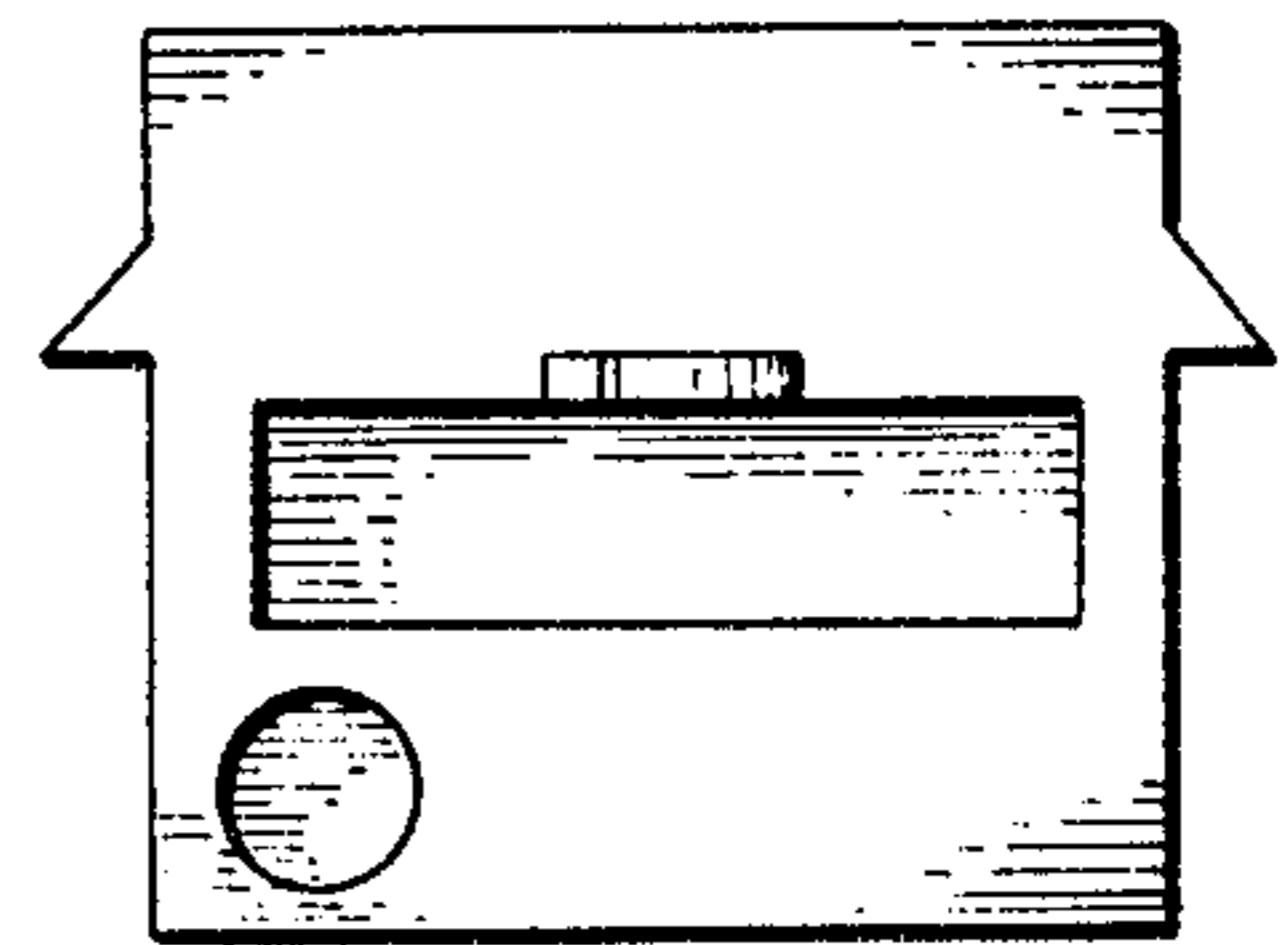
DESCRIPTION

FIG. 1 is a perspective view of a sharpening stone holder showing my new design;  
FIG. 2 is an end view thereof of the end opposite that shown in FIG. 1;  
FIG. 3 is a top plan view thereof;  
FIG. 4 is a front elevational view thereof with the rear elevational view being a mirror image; and,  
FIG. 5 is a bottom plan view thereof.

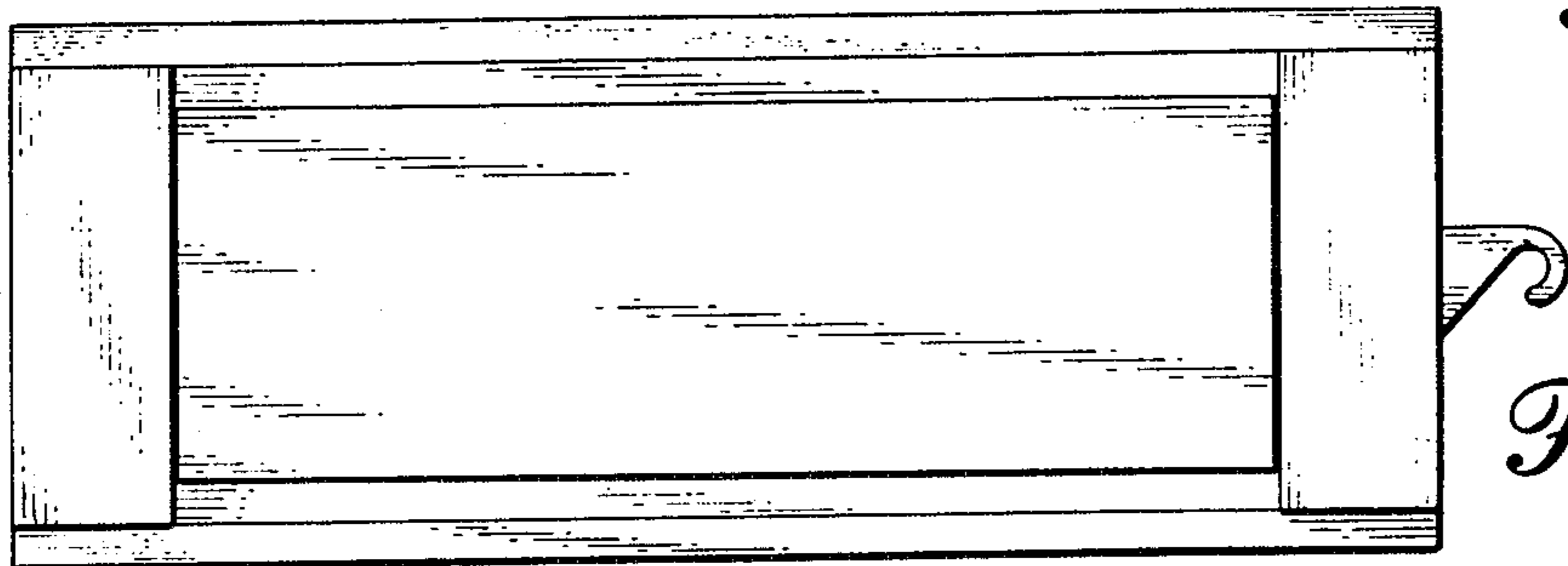




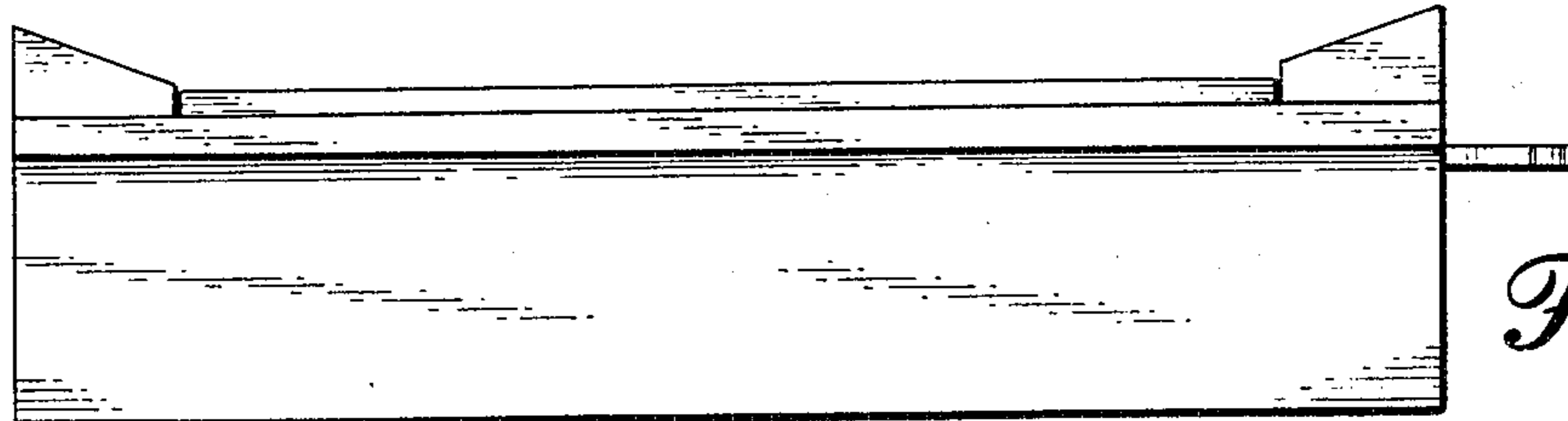
*Fig. 1*



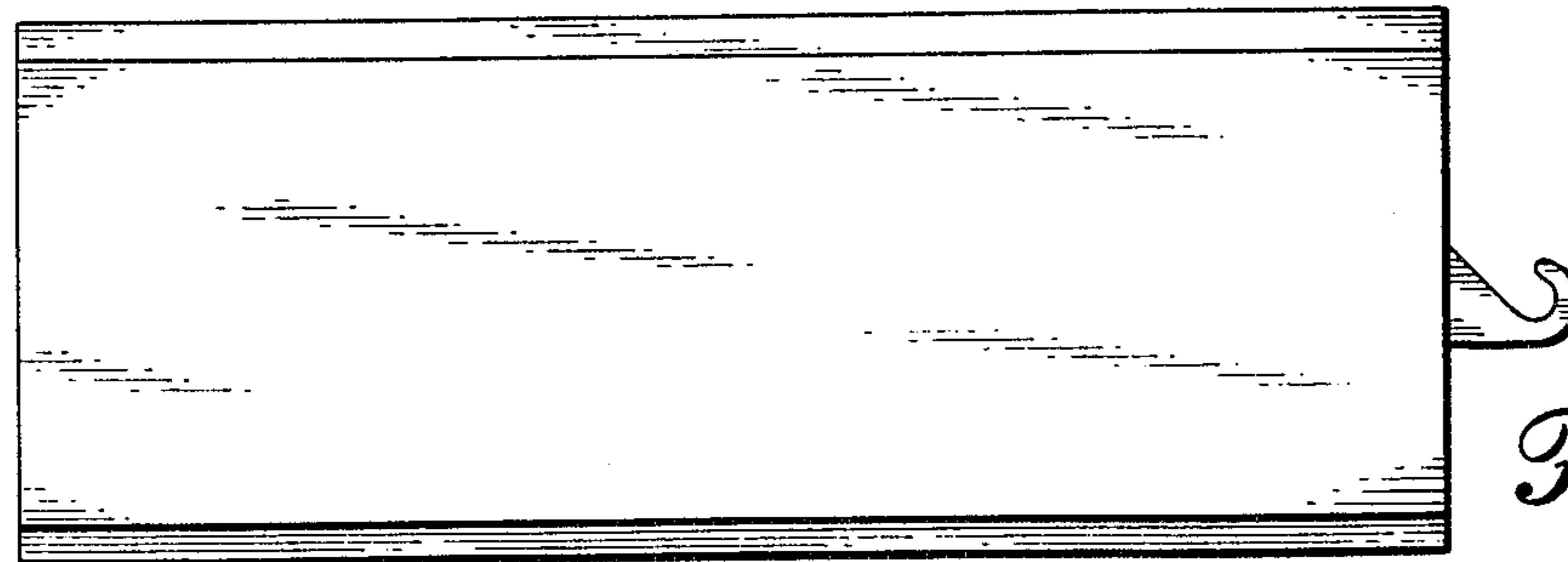
*Fig. 2*



*Fig. 3*



*Fig. 4*



*Fig. 5*