

[54] **STAPLE GUN OR SIMILAR ARTICLE**

4,358,043 11/1982 Chi ..... 227/132

[75] **Inventor: Richard Jacoff, Mineola, N.Y.**

[73] **Assignee: Great Neck Saw Manufacturers, Inc.,  
Mineola, N.Y.**

[\*\*] **Term: 14 Years**

[21] **Appl. No.: 612,587**

[22] **Filed: May 21, 1984**

[52] **U.S. Cl. .... D8/49**

[58] **Field of Search ..... D8/49, 50; 227/132,  
227/158, 127, 128**

[56] **References Cited**

**U.S. PATENT DOCUMENTS**

D. 172,754	8/1954	Marano	.....	D8/49
D. 280,016	8/1985	Hillinger	.....	D8/49
3,758,016	9/1973	Olney	.....	227/132
4,126,260	11/1978	Mickelson	.....	227/132

**OTHER PUBLICATIONS**

Bostitch Staple Gun Adv. 5/73.

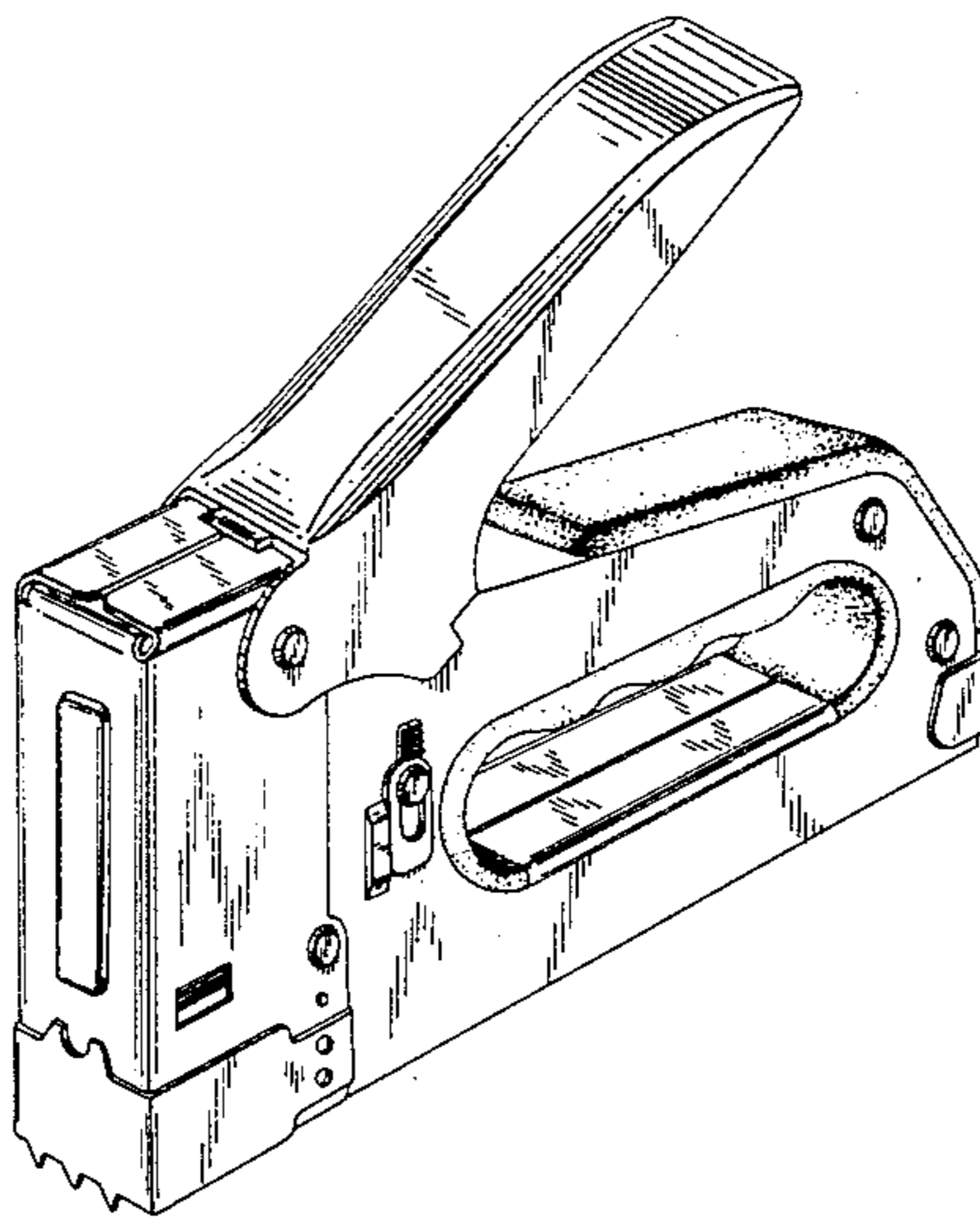
*Primary Examiner*—George P. Word  
*Attorney, Agent, or Firm*—Stoll, Wilkie, Previto &  
Hoffman

[57] **CLAIM**

The ornamental design for a staple gun or similar article, substantially as shown and described.

**DESCRIPTION**

FIG. 1 is a perspective view of a staple gun or similar article showing my new design;  
FIG. 2 is a top plan view thereof;  
FIG. 3 is a right side elevational view thereof;  
FIG. 4 is a front elevational view thereof;  
FIG. 5 is a rear elevational view thereof;  
FIG. 6 is a bottom plan view thereof; and  
FIG. 7 is a left side elevational view thereof.



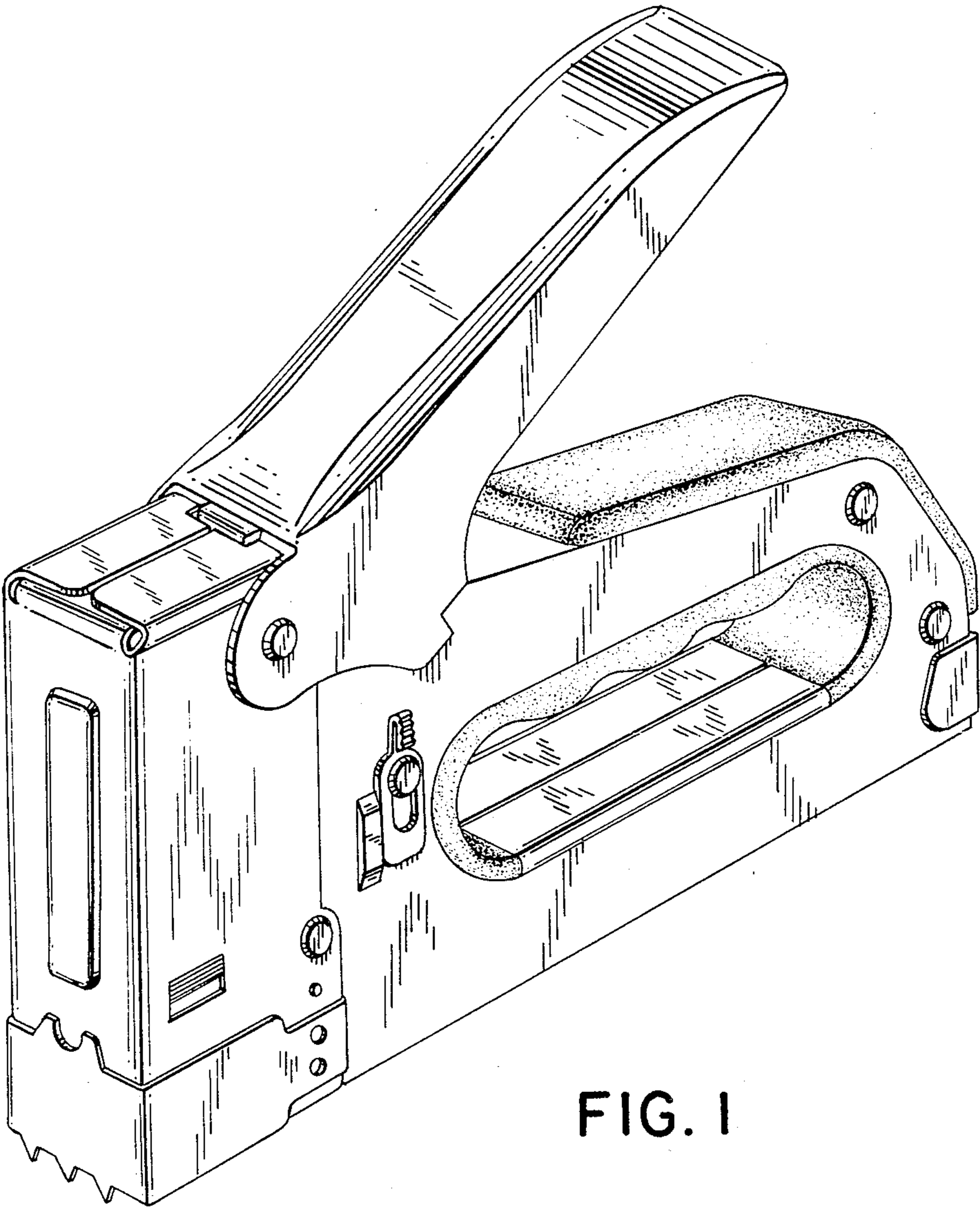


FIG. 1

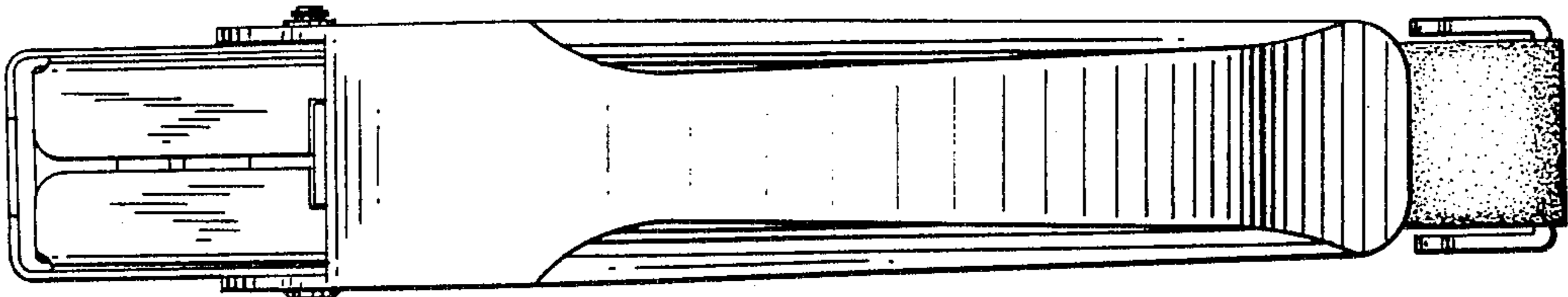


FIG. 2

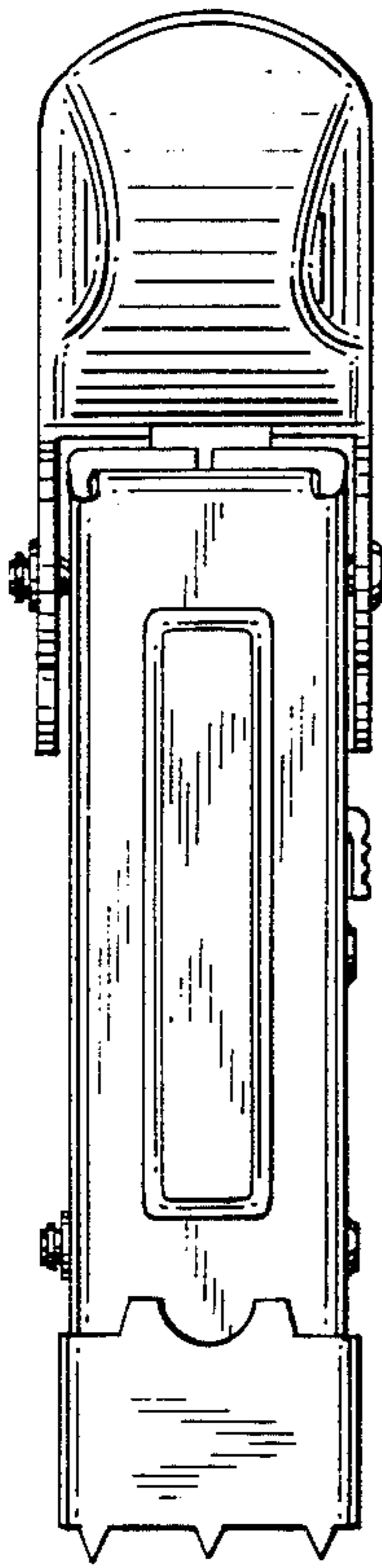


FIG. 4

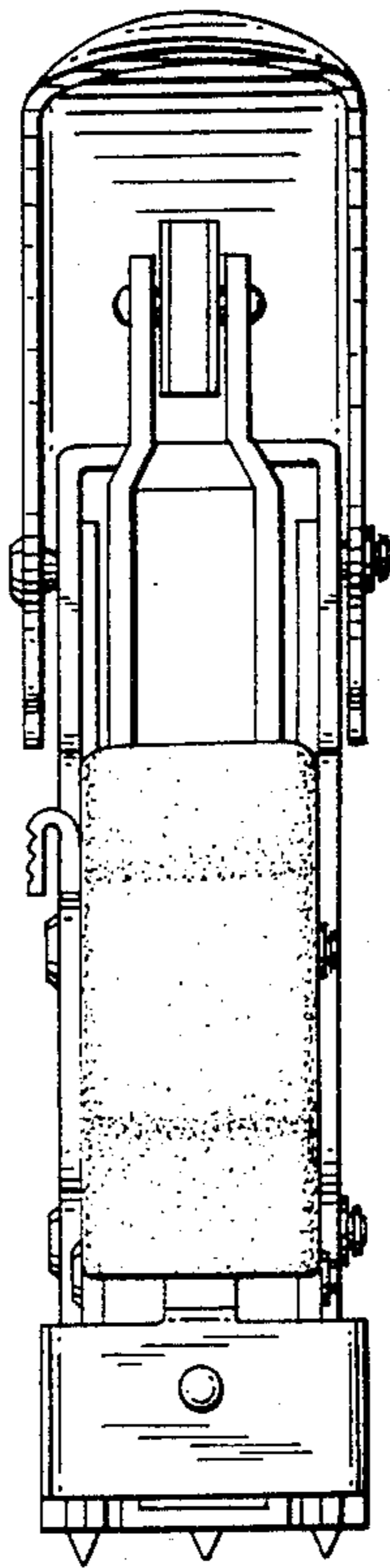


FIG. 5

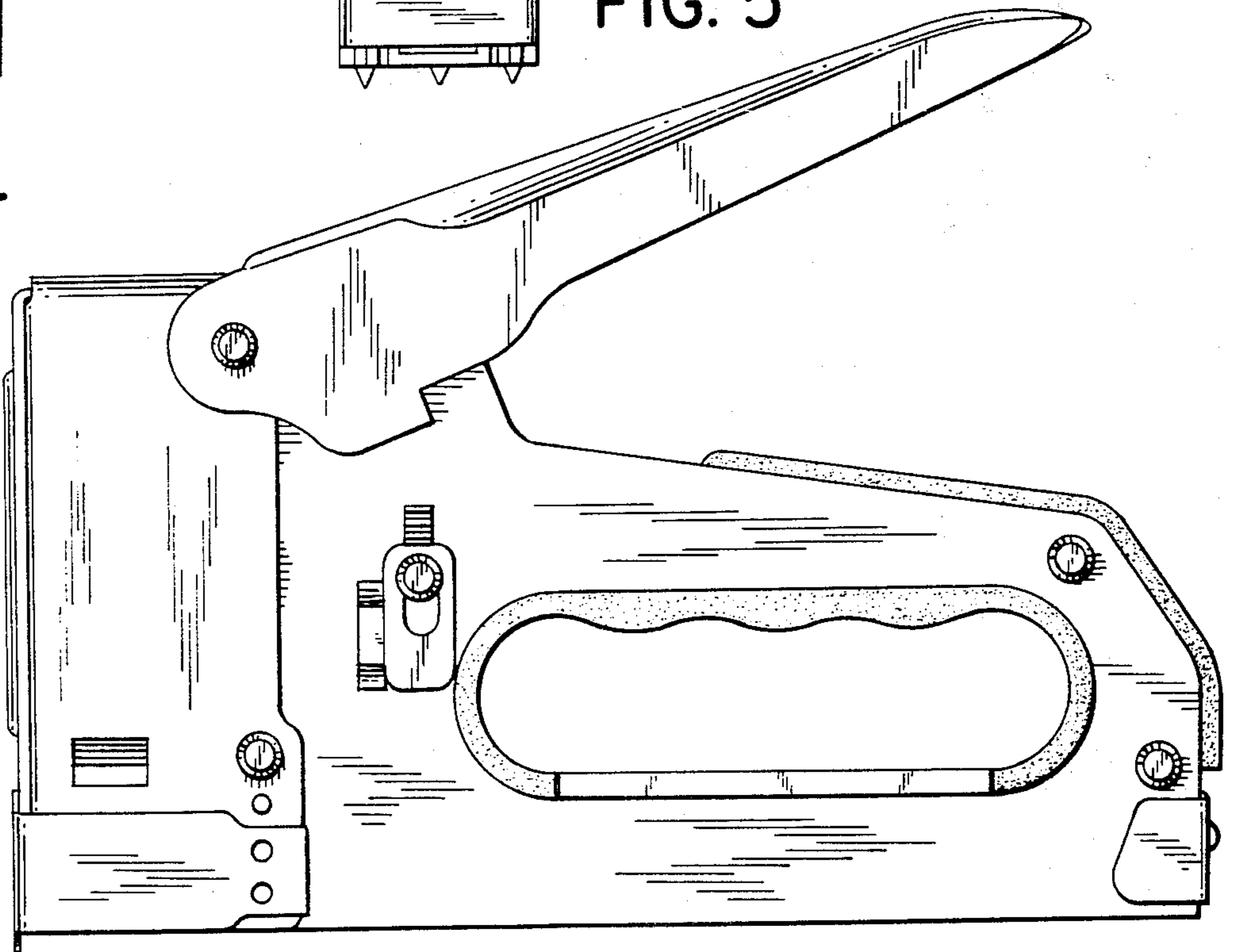


FIG. 3

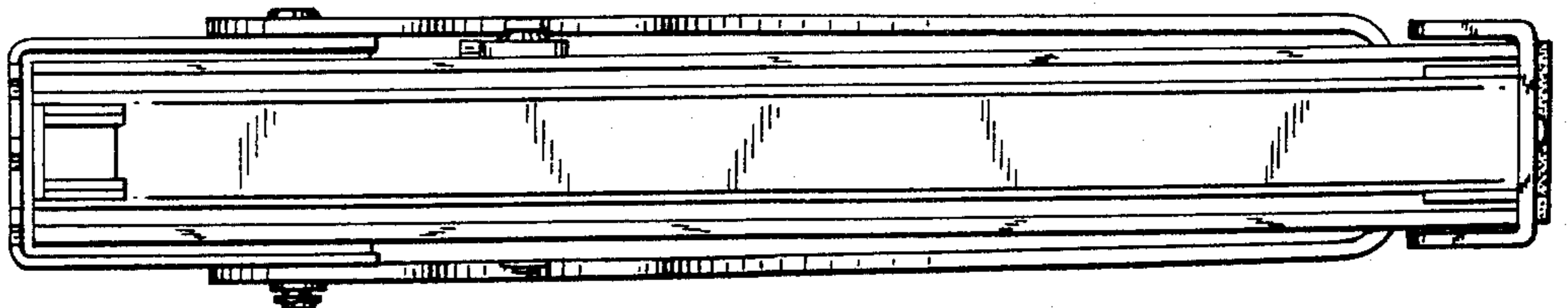


FIG. 6

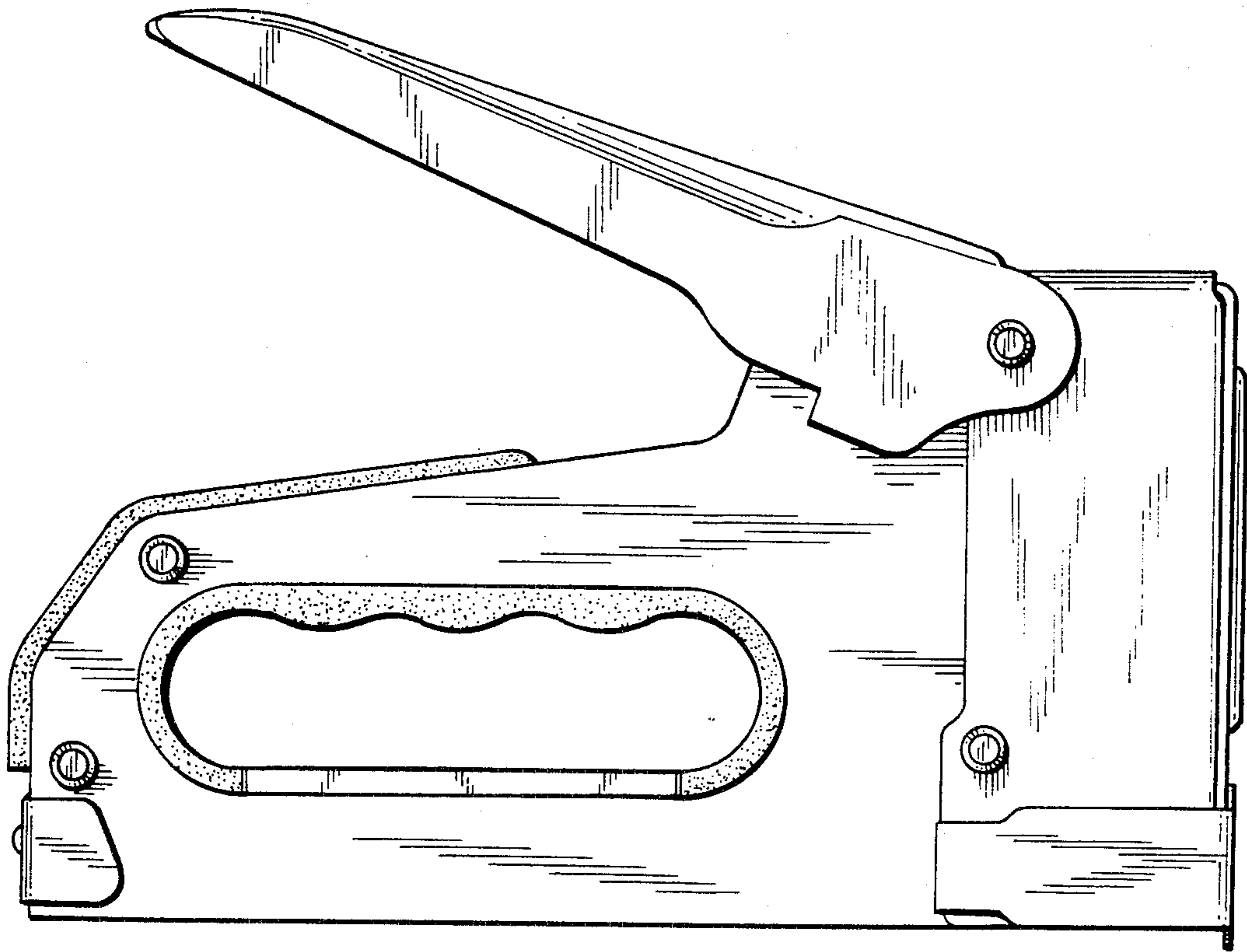


FIG.7