

[54] BARBECUE

2,641,243 6/1953 Goss 126/25 R

[76] Inventor: Murray L. Elliston, 7064 Hillsboro St., San Diego, Calif. 92120

[**] Term: 14 Years

[21] Appl. No.: 670,165

[22] Filed: Nov. 9, 1984

[52] U.S. Cl. D7/337

[58] Field of Search D7/323, 332, 334, 337-339, D7/346-348, 350-351; 126/25 R, 25 A, 25 AA, 25 B, 25 C, 27, 29-30, 9 A, 9 B, 9 R; 99/419, 421 R, 341, 401, 421 A, 421 H; D12/205, 207-209, 211

[56] References Cited

U.S. PATENT DOCUMENTS

D. 185,280	5/1959	Greenblat	D7/337
D. 219,733	1/1971	Marti et al.	D12/208
D. 239,267	3/1976	Harty, Jr.	D12/209
2,497,031	2/1950	MacPherson	D12/204

OTHER PUBLICATIONS

Popular Science, Jun. 1985, p. 131, Bar-b-bowl 70. Cal Chrome 1975 Catalog, p. 3. Apache Wheels.

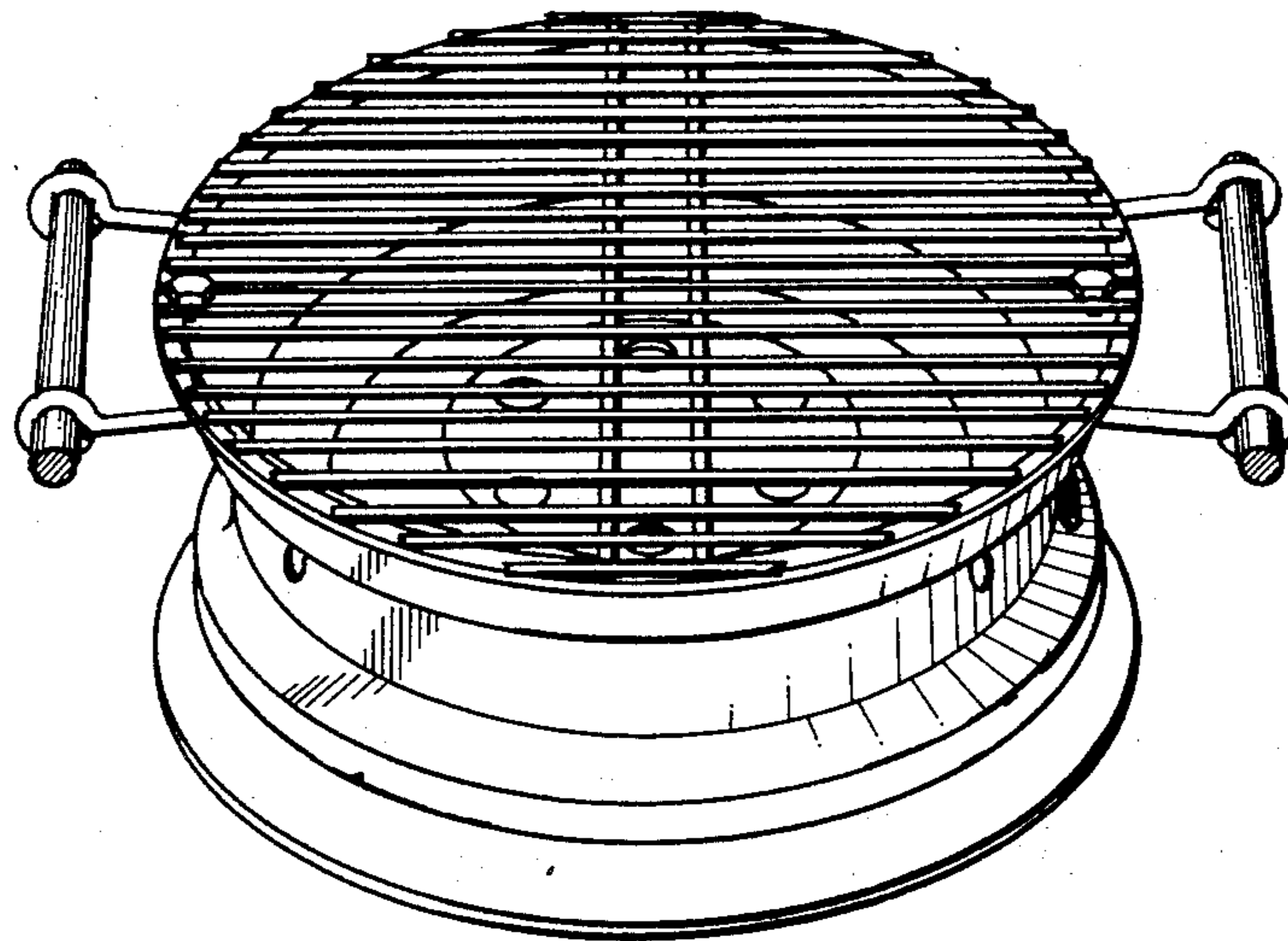
Primary Examiner—Wallace R. Burke
Assistant Examiner—Ruth E. Takemoto
Attorney, Agent, or Firm—Baker, Maxham & Jester

[57] CLAIM

The ornamental design for a barbecue, substantially as shown.

DESCRIPTION

FIG. 1 is a perspective view of a barbecue showing my new design;
FIG. 2 is a top plan view thereof;
FIG. 3 is a side elevational view thereof;
FIG. 4 is a side elevational view from the opposite end thereof; and
FIG. 5 is a bottom plan view thereof.



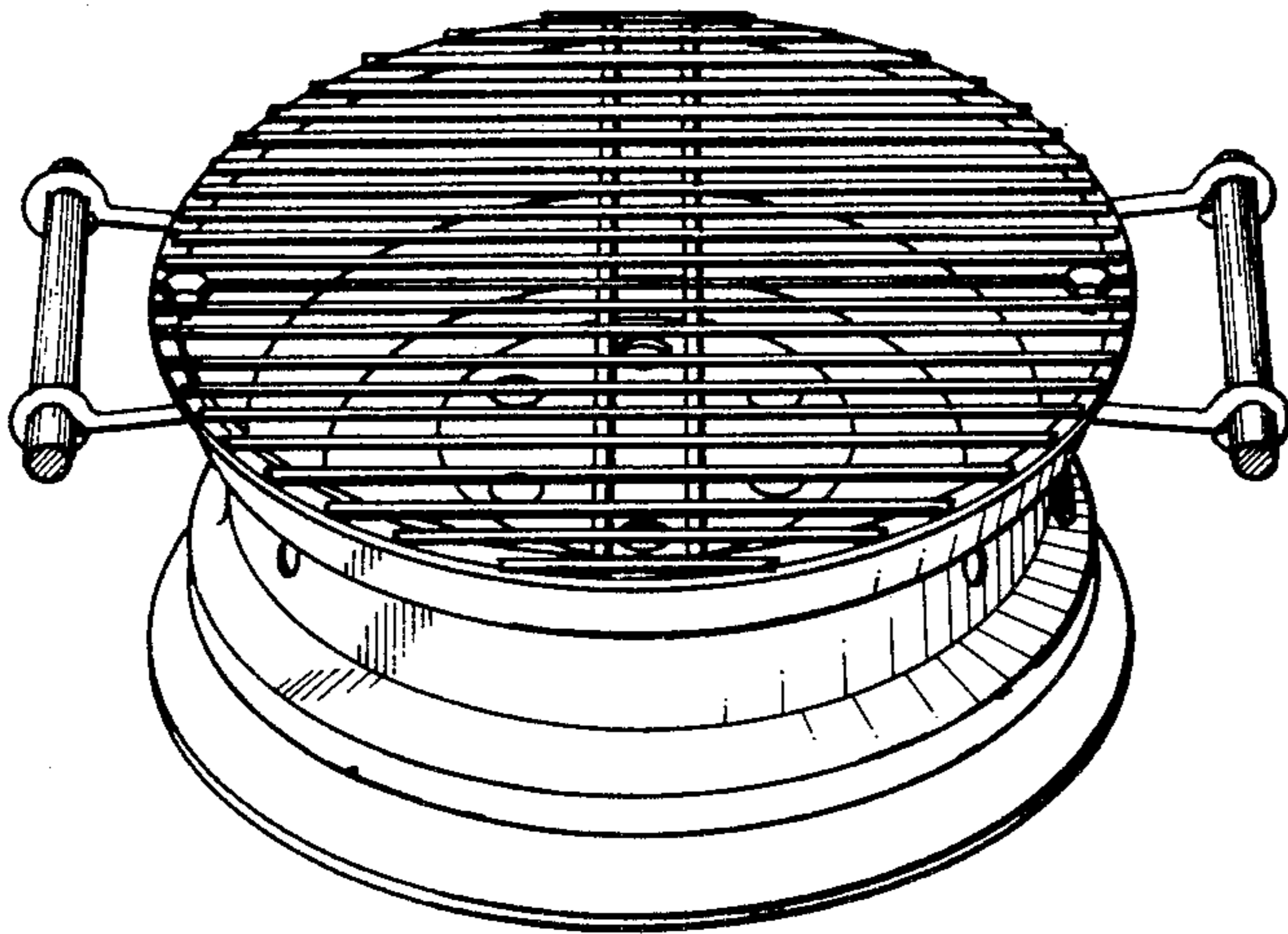


FIG. 1

FIG. 2

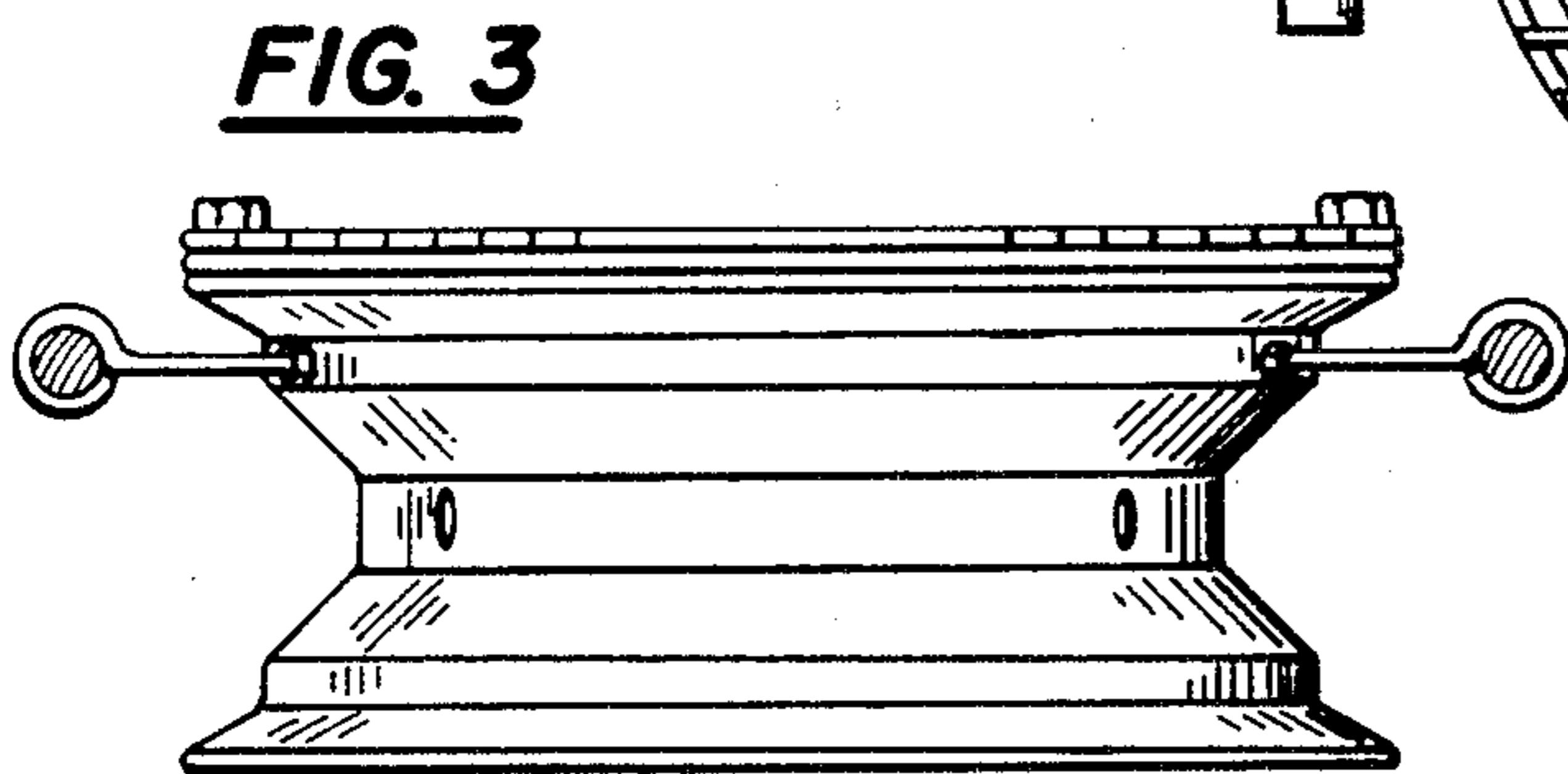
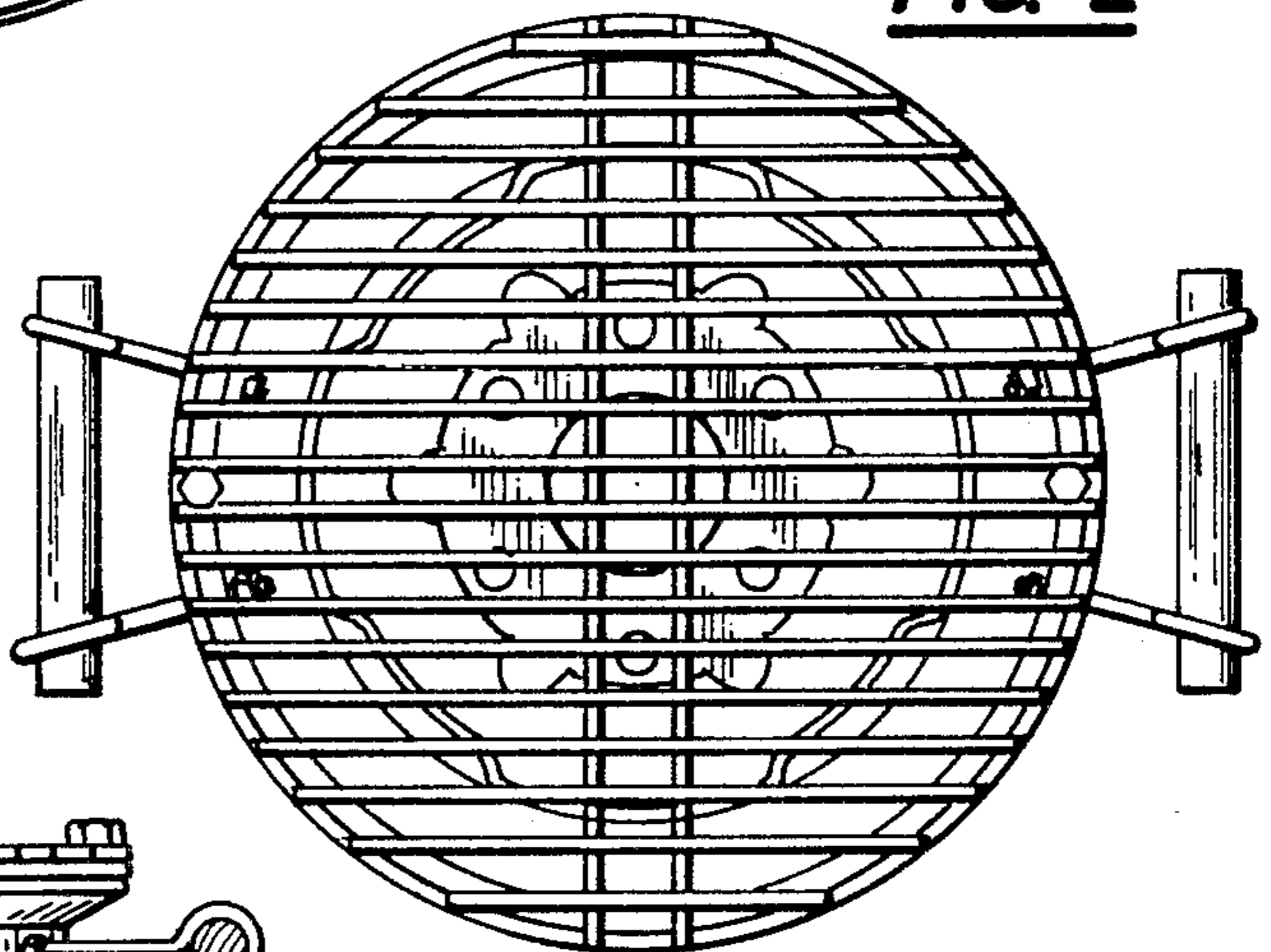


FIG. 3

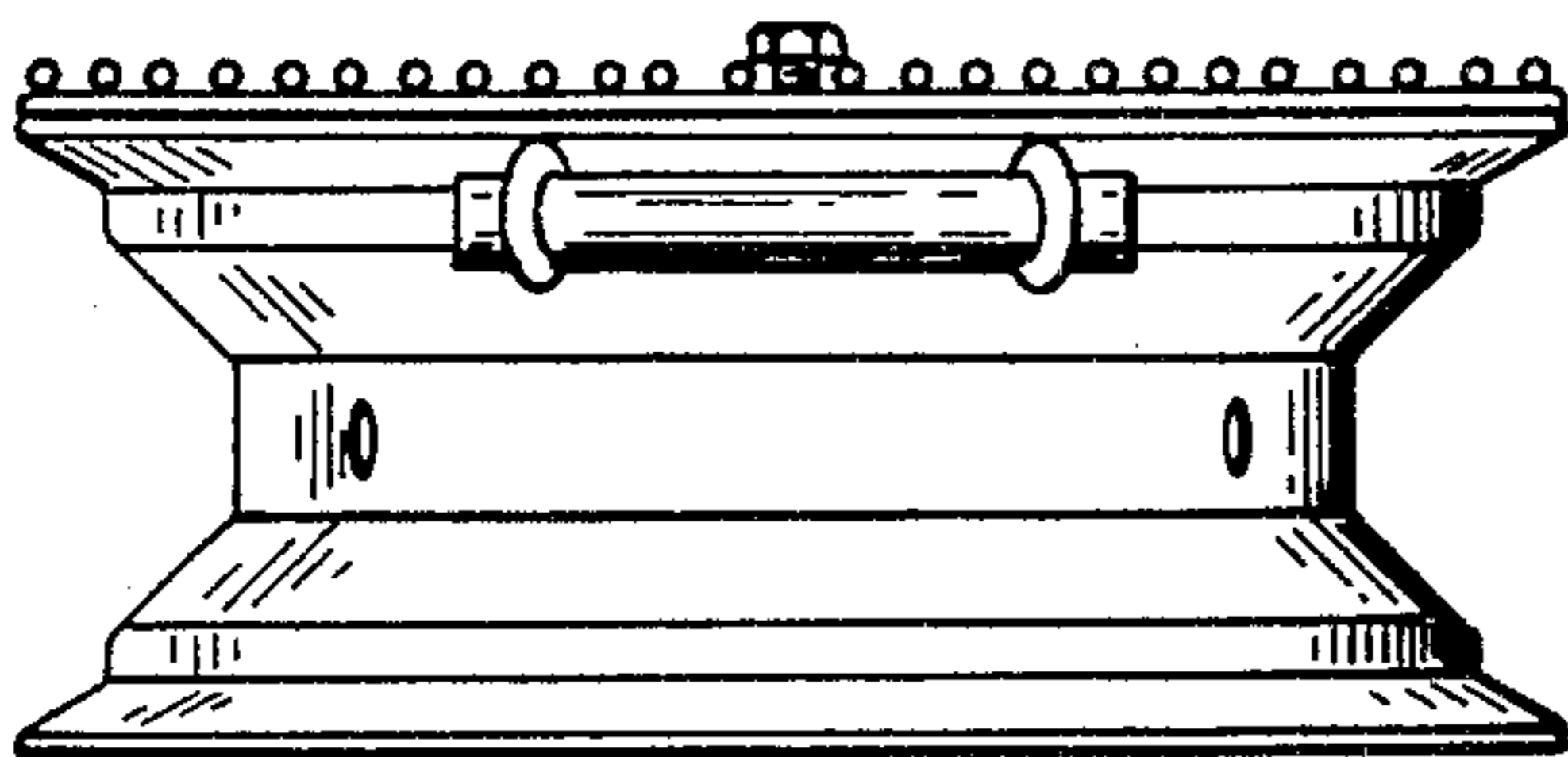


FIG. 4

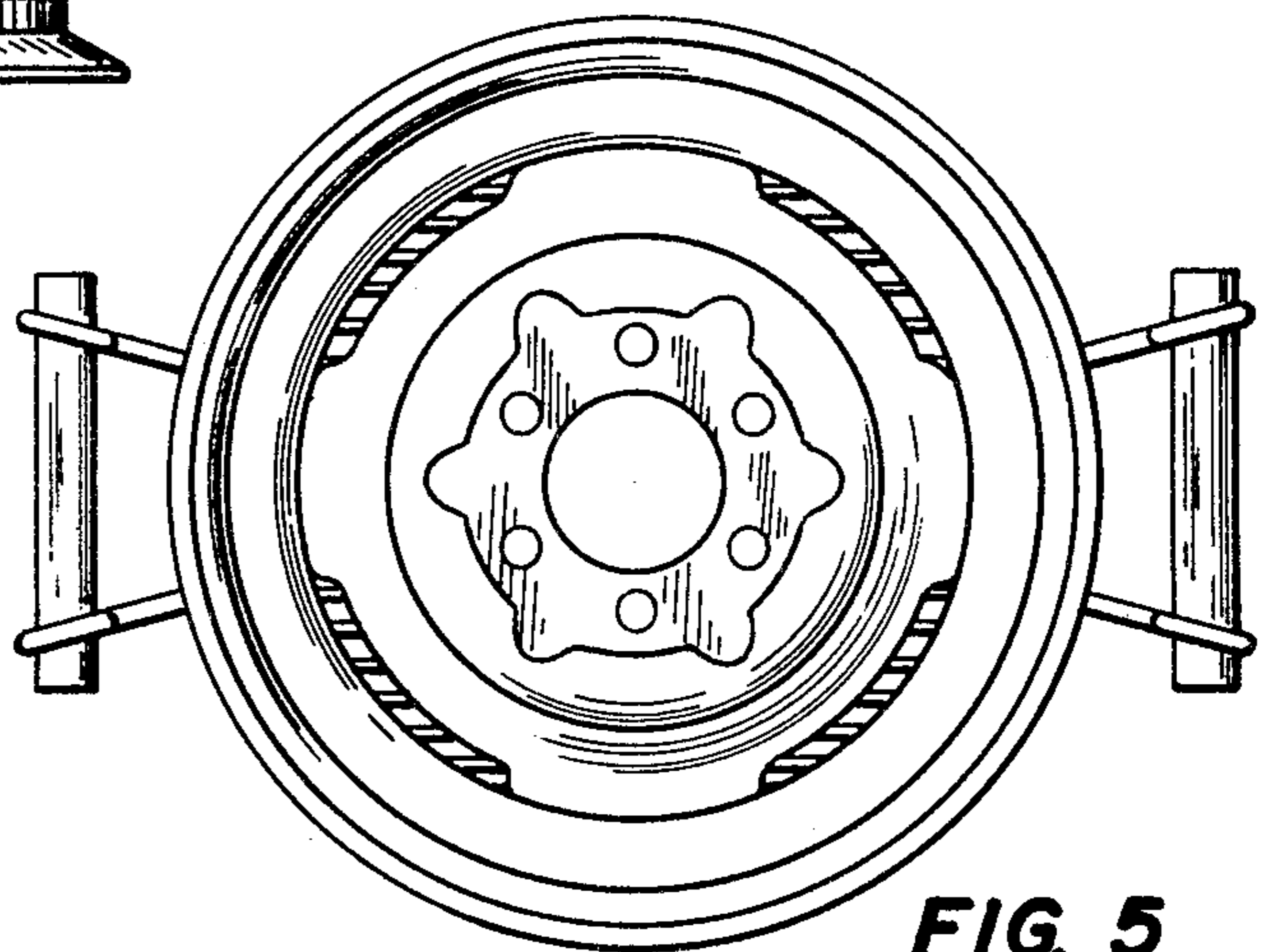


FIG. 5