

- [54] **ELECTRIC BEVERAGE MAKER**
- [75] Inventor: **William C. Cesaroni**, Glenview, Ill.
- [73] Assignee: **Dart Industries Inc.**, Northbrook, Ill.
- [**] Term: **14 Years**
- [21] Appl. No.: **637,444**
- [22] Filed: **Aug. 3, 1984**
- [52] U.S. Cl. **D7/309; D7/308**
- [58] Field of Search **D7/309, 308, 300, 306, D7/307, 310, 311**

- D. 239,074 3/1976 Rakocy .
- D. 244,824 6/1977 Bluestein .
- D. 253,572 12/1979 Rinaldi .
- D. 257,732 12/1980 Klawitter .
- D. 268,977 5/1983 Marotta D7/309
- 3,878,360 4/1975 Augustine et al. .
- 4,069,751 1/1978 Gronwick et al. D7/310 X
- 4,138,936 2/1979 Williams .

Primary Examiner—Winifred E. Herrmann
Attorney, Agent, or Firm—Gregory J. Mancuso

[57] **CLAIM**

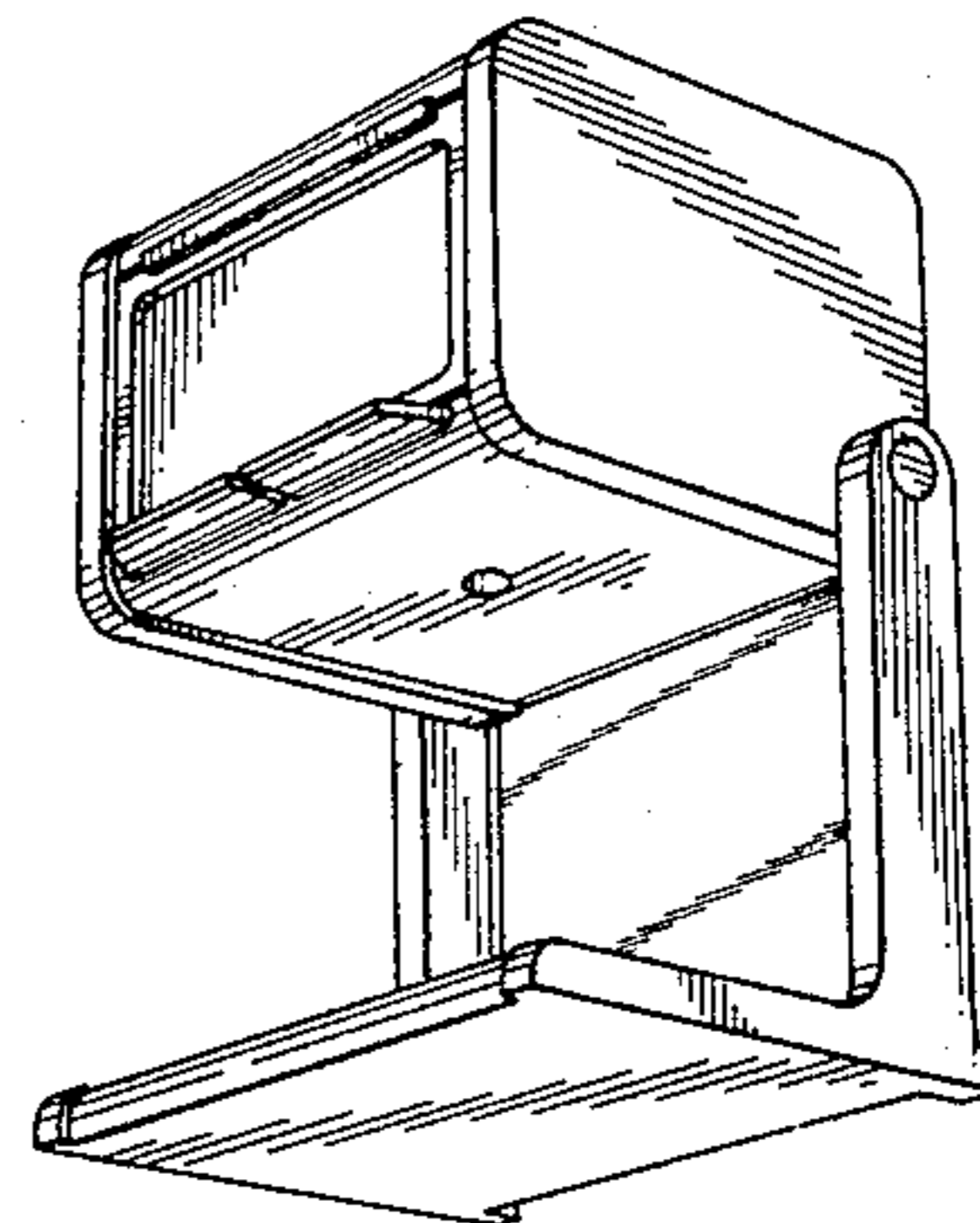
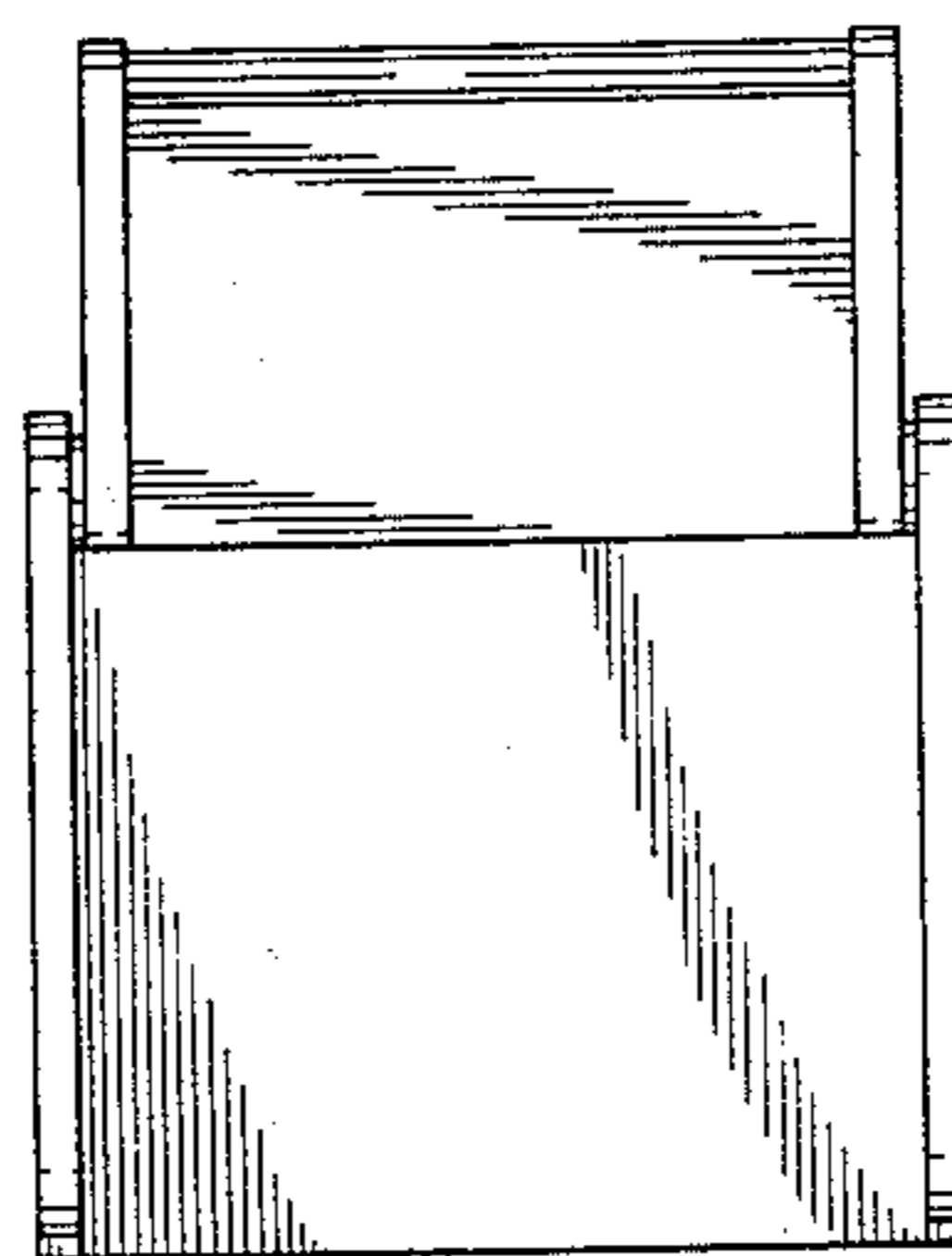
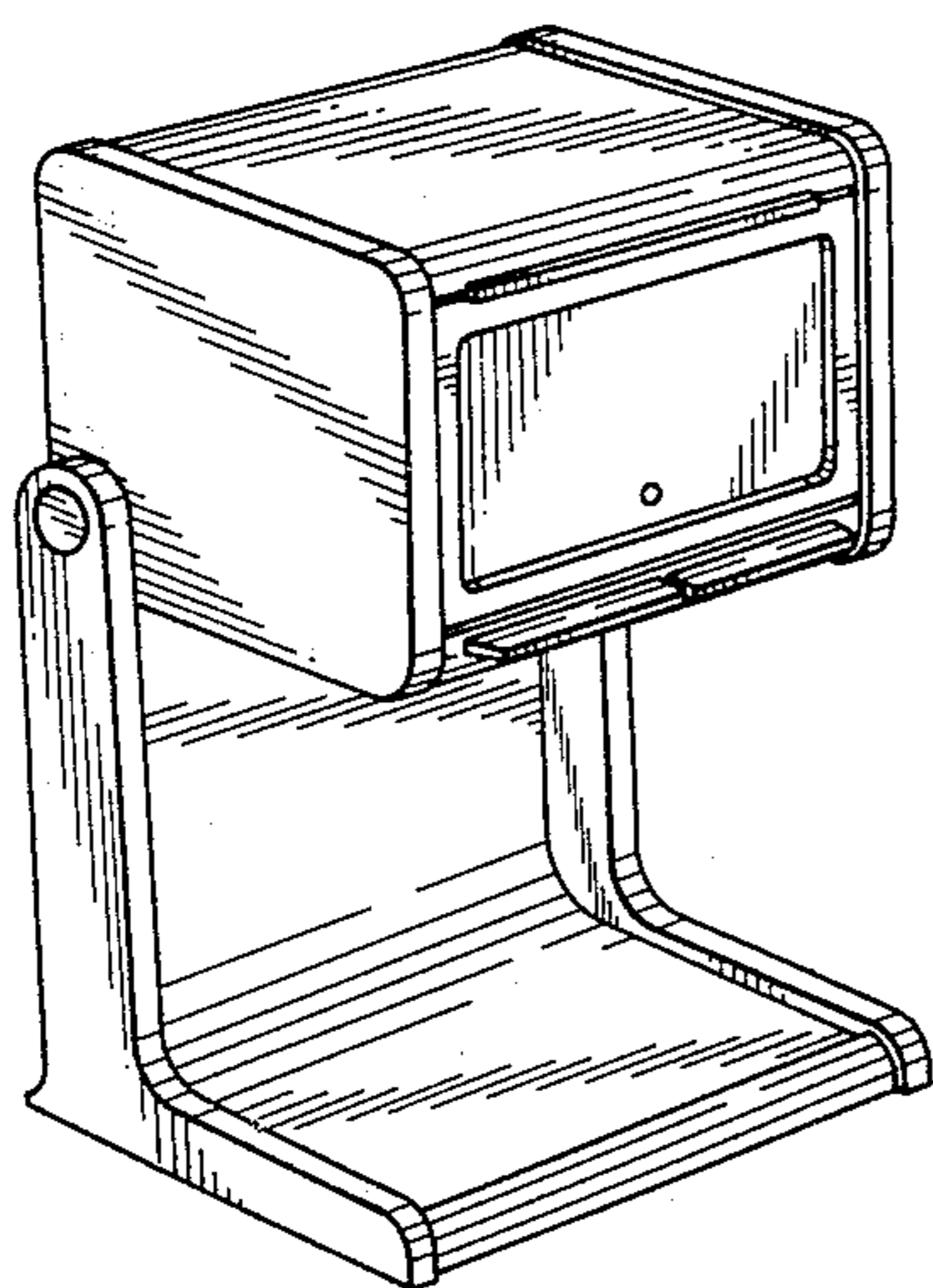
The ornamental design for an electric beverage maker, substantially as shown.

DESCRIPTION

FIG. 1 is a top left side perspective view of an electric beverage maker showing my new design;
 FIG. 2 is a top plan view thereof;
 FIG. 3 is a front elevational view thereof;
 FIG. 4 is a right side elevational view thereof;
 FIG. 5 is a rear elevational view thereof.
 FIG. 6 is a bottom plan view thereof; and
 FIG. 7 is a bottom right side perspective view thereof.

[56] **References Cited**
U.S. PATENT DOCUMENTS

- D. 184,606 3/1959 Cramer .
- D. 185,006 4/1959 Langevin .
- D. 185,626 7/1959 Craig et al. D7/311 X
- D. 212,317 9/1968 Hausman .
- D. 215,045 8/1969 Benjamin D7/309 X
- D. 216,356 12/1969 Bardeau .
- D. 232,410 8/1974 Rakocy .
- D. 235,816 7/1975 Hall D7/308



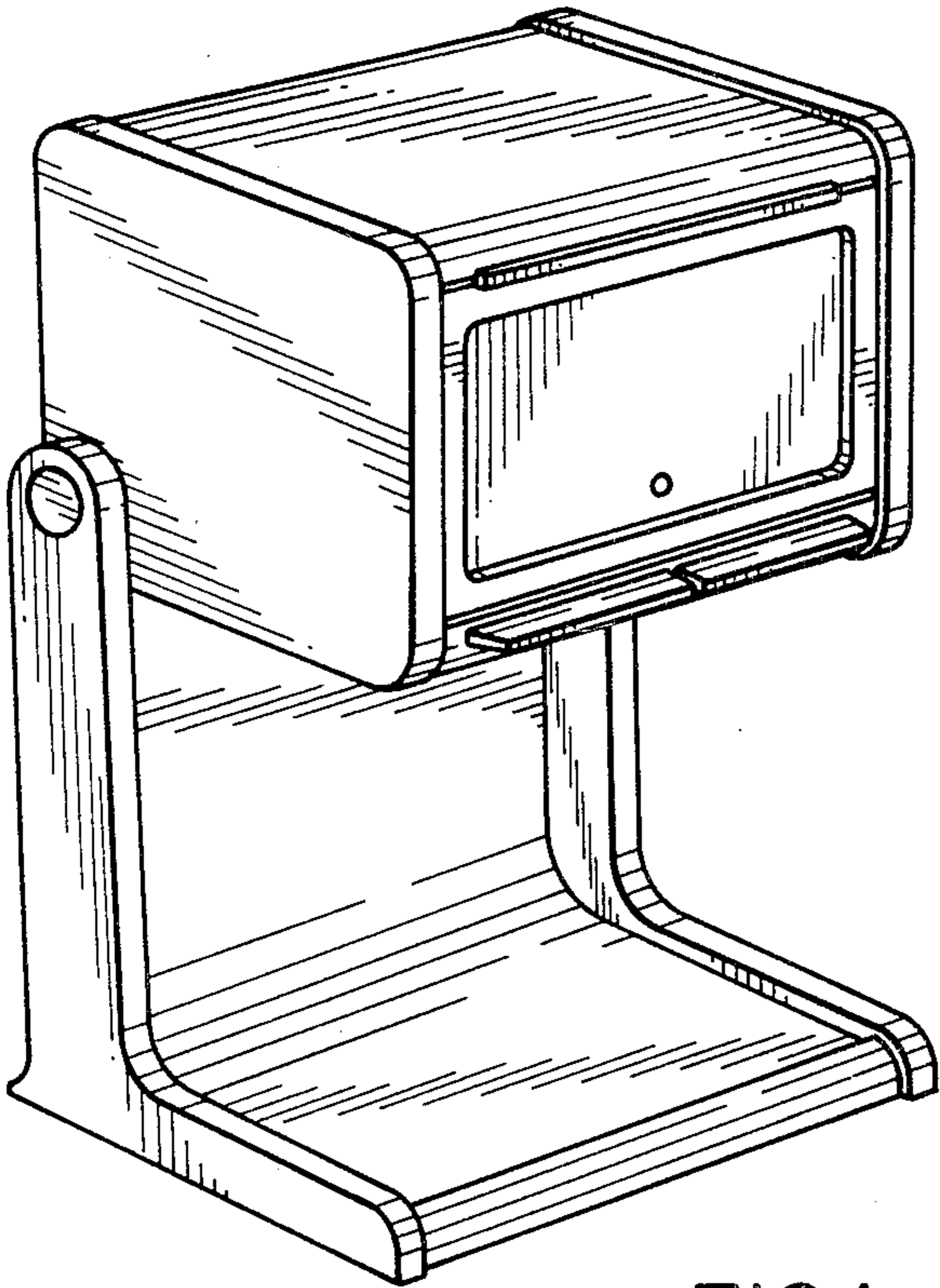


FIG. 1

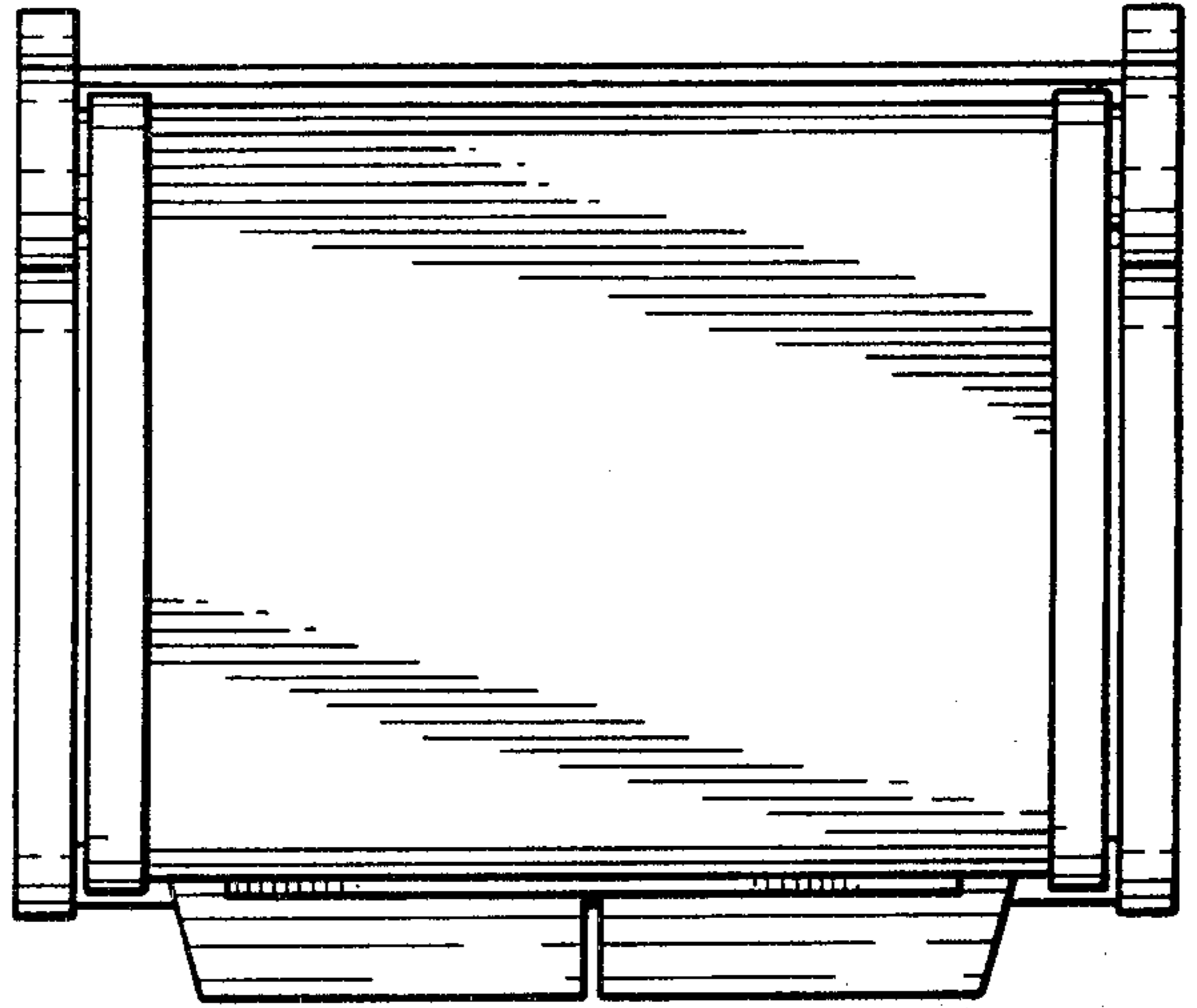


FIG. 2

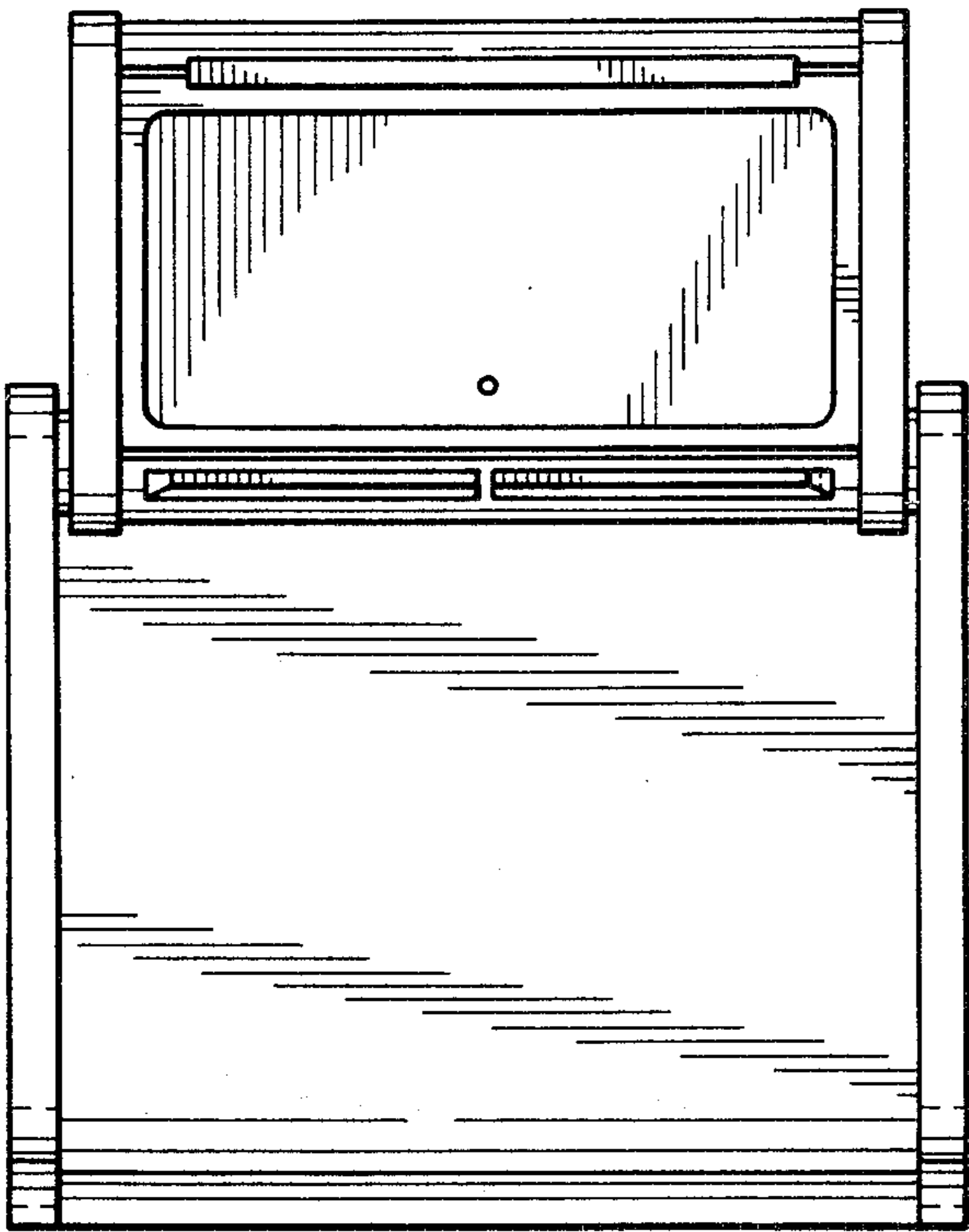


FIG. 3

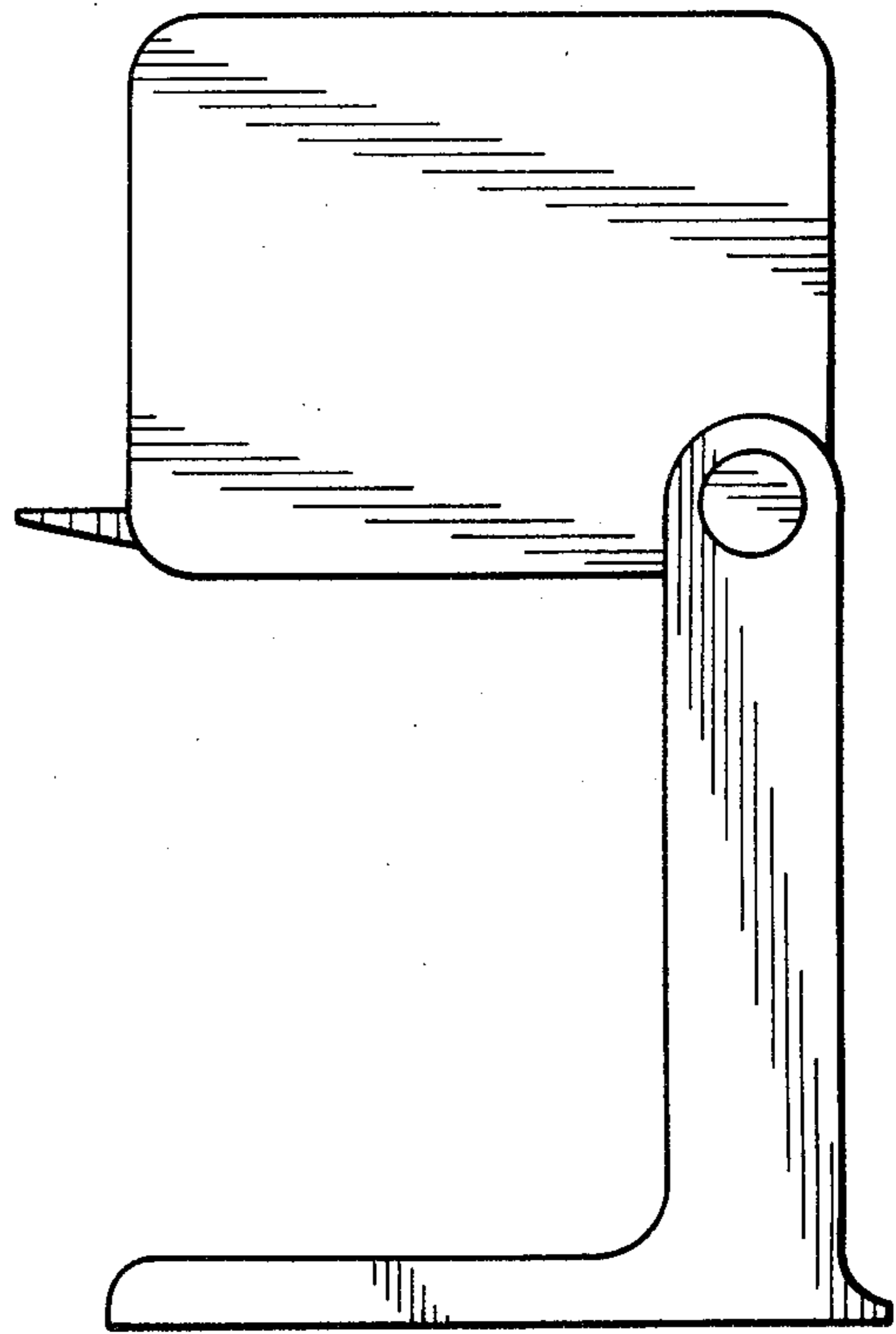


FIG. 4

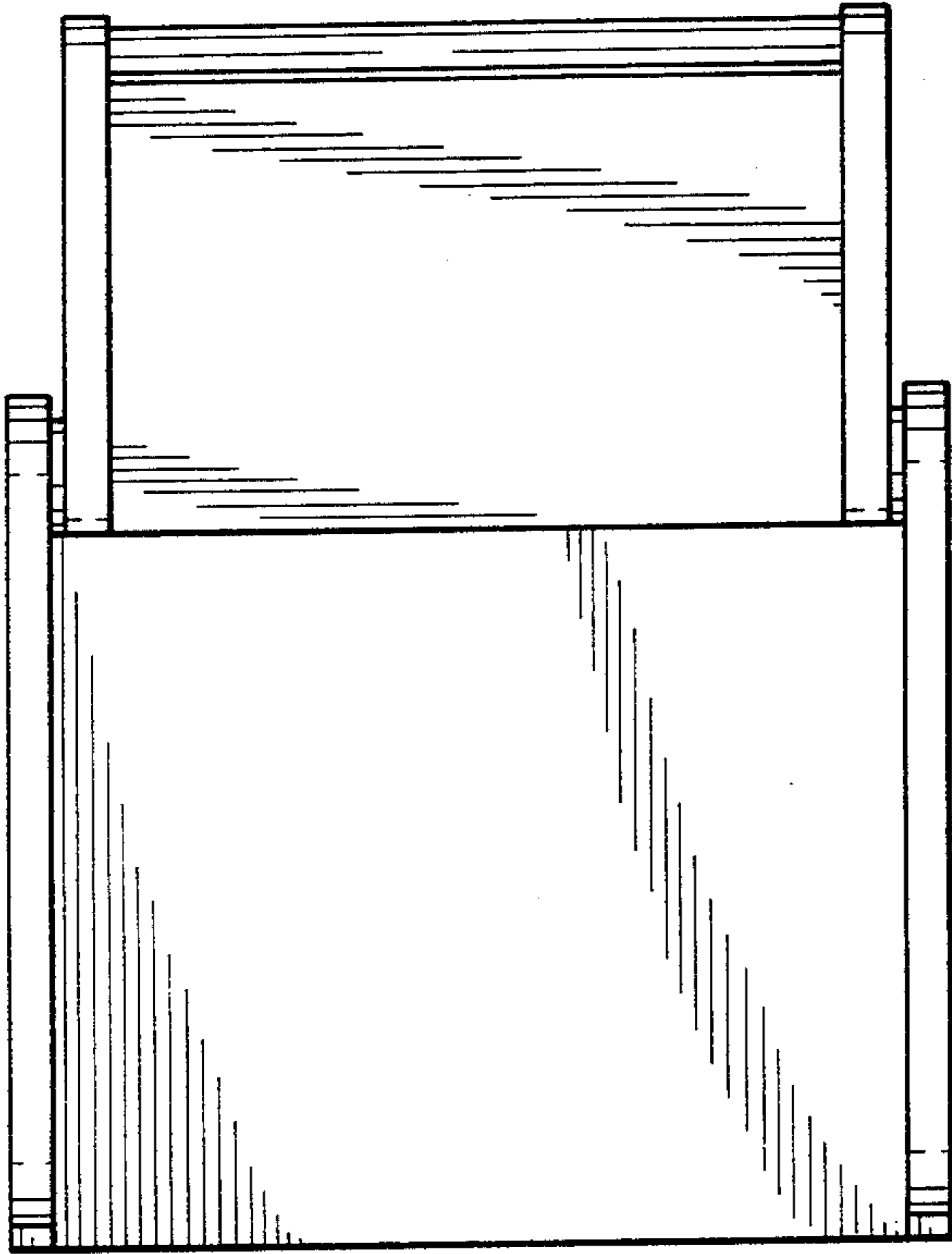


FIG. 5

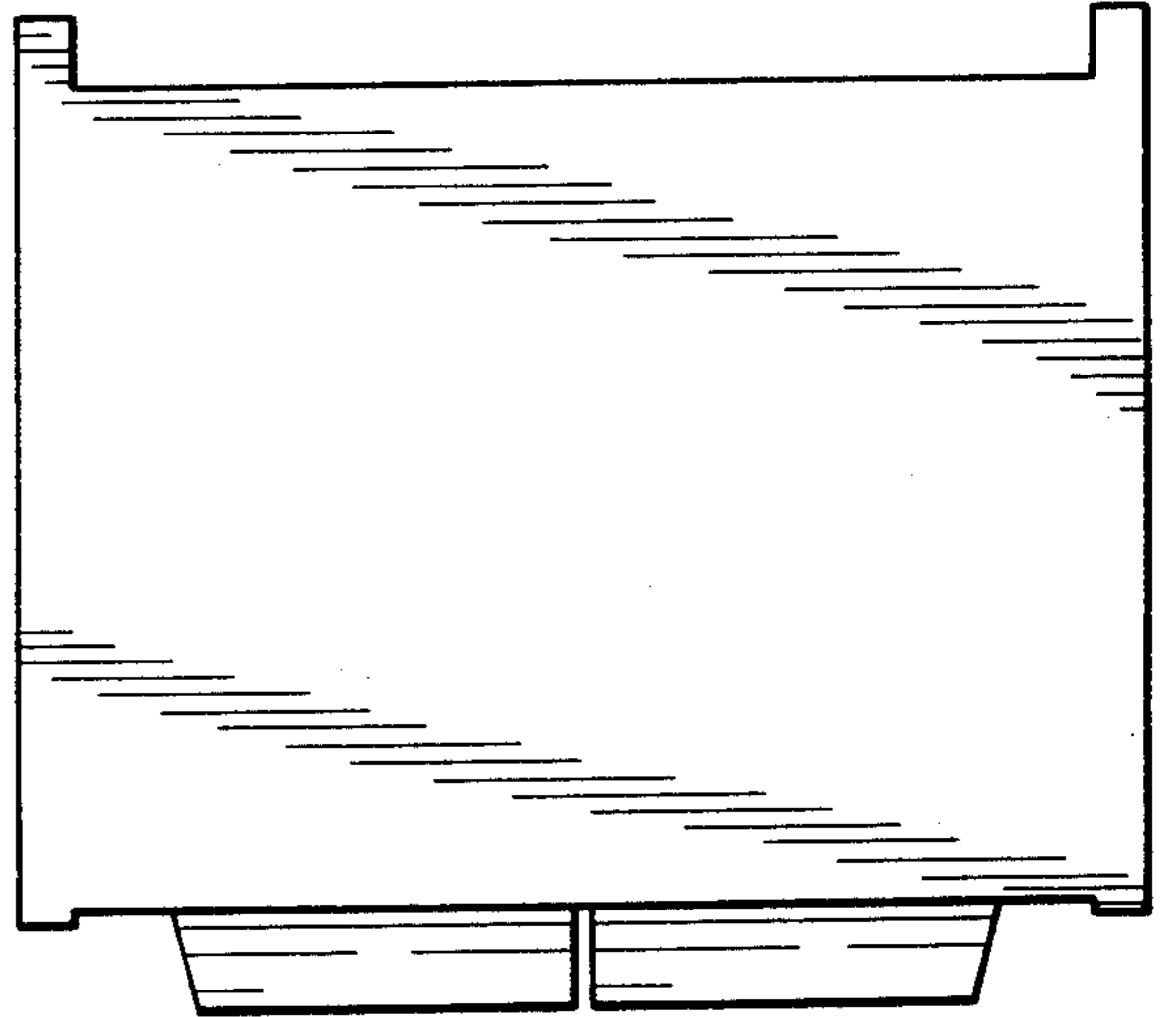


FIG. 6

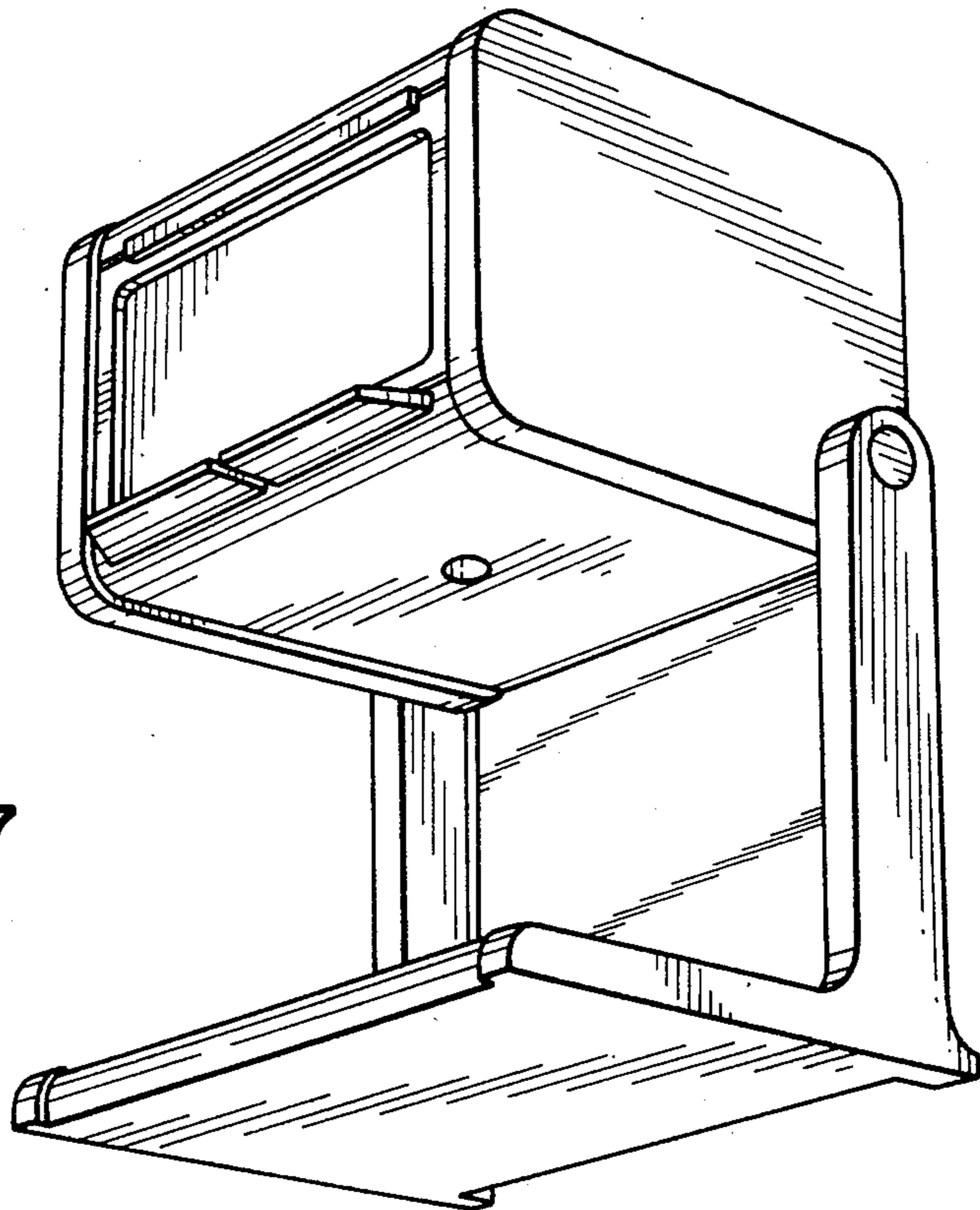


FIG. 7