

[54] **CONDIMENT MILL**

[76] Inventor: **William E. Bounds**, 3737 W. 240th St., Torrance, Calif. 90505

[\*\*] Term: **14 Years**

[21] Appl. No.: **645,409**

[22] Filed: **Aug. 29, 1984**

[52] U.S. Cl. .... **D7/53**

[58] Field of Search ..... **D7/52-58, D7/372, 373; 241/169, 169.1; 222/142.1-142.9; D9/418, 434**

[56] **References Cited**

**U.S. PATENT DOCUMENTS**

D. 244,505 5/1977 Bounds ..... D7/53  
4,231,527 11/1980 Bounds ..... 241/169.1

**OTHER PUBLICATIONS**

Institutions, 1/59, p. 40, Pepper Mill, lower left panel.

*Primary Examiner*—Bernard Ansher

*Assistant Examiner*—Terry Pfeffer

*Attorney, Agent, or Firm*—Edward A. Sokolski

[57] **CLAIM**

The ornamental design for a condiment mill, as shown.

**DESCRIPTION**

FIG. 1 is a top plan view of a condiment mill showing my new design;

FIG. 2 is a left side elevational view thereof;

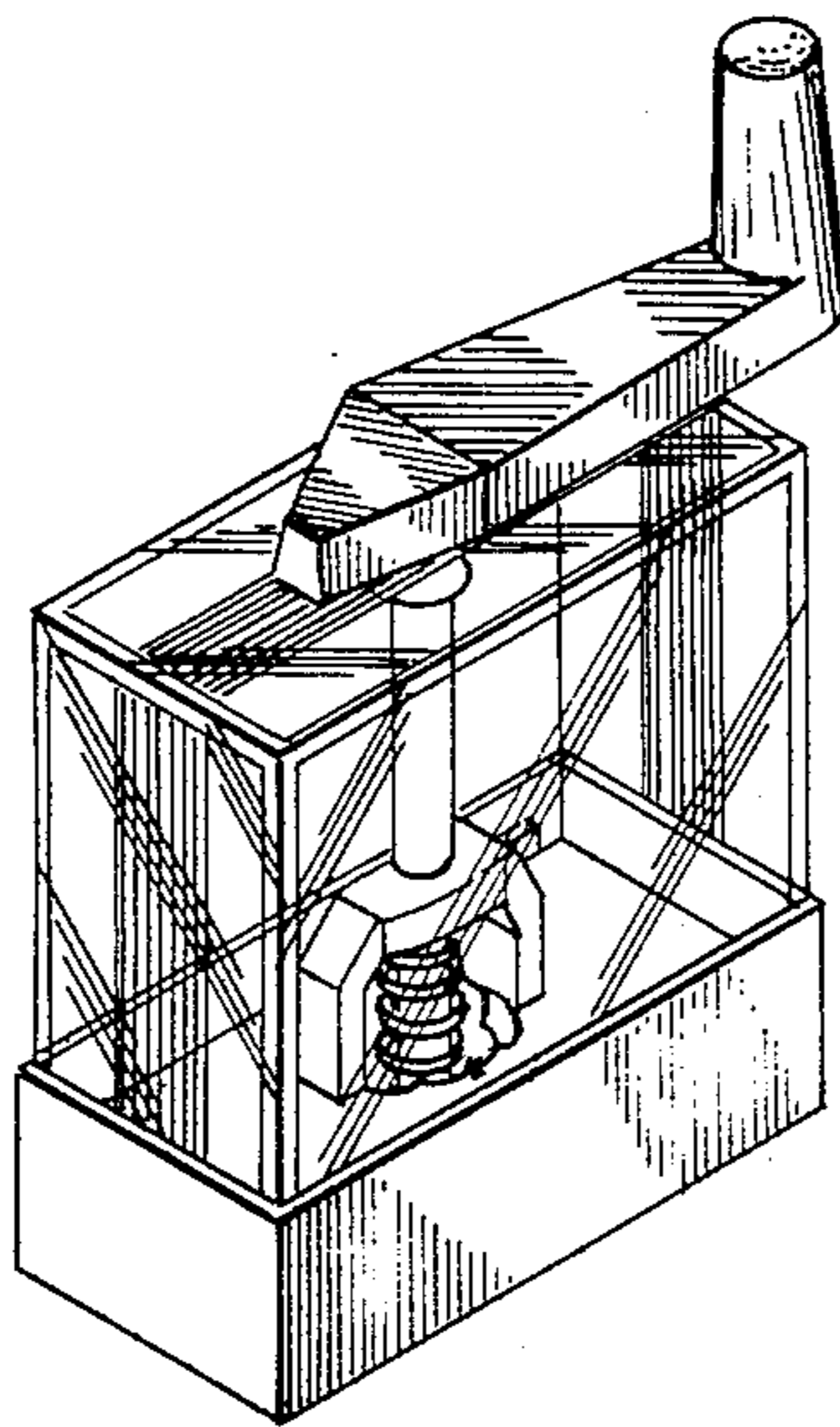
FIG. 3 is an end-elevational view thereof;

FIG. 4 is a bottom plan view thereof;

FIG. 5 is a right side elevational view thereof;

FIG. 6 is a rear elevational view thereof; and

FIG. 7 is a perspective view thereof.



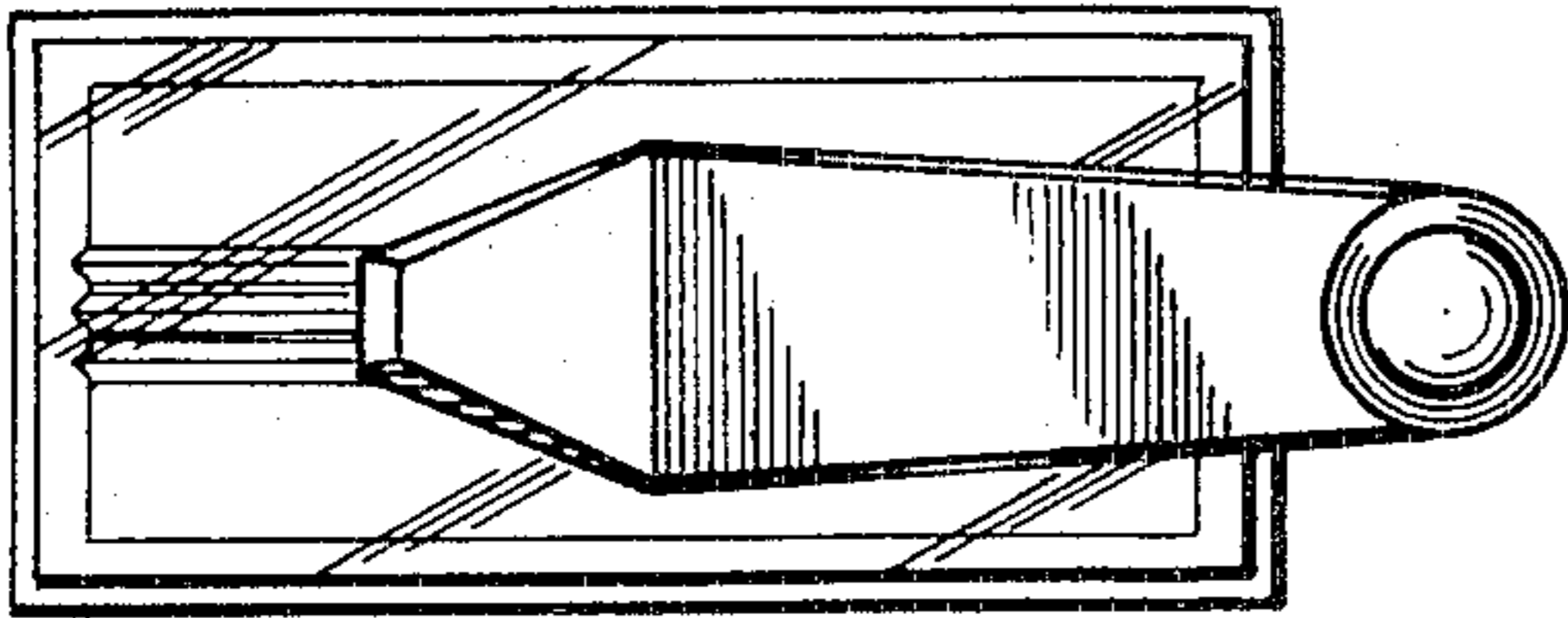


FIG. 1

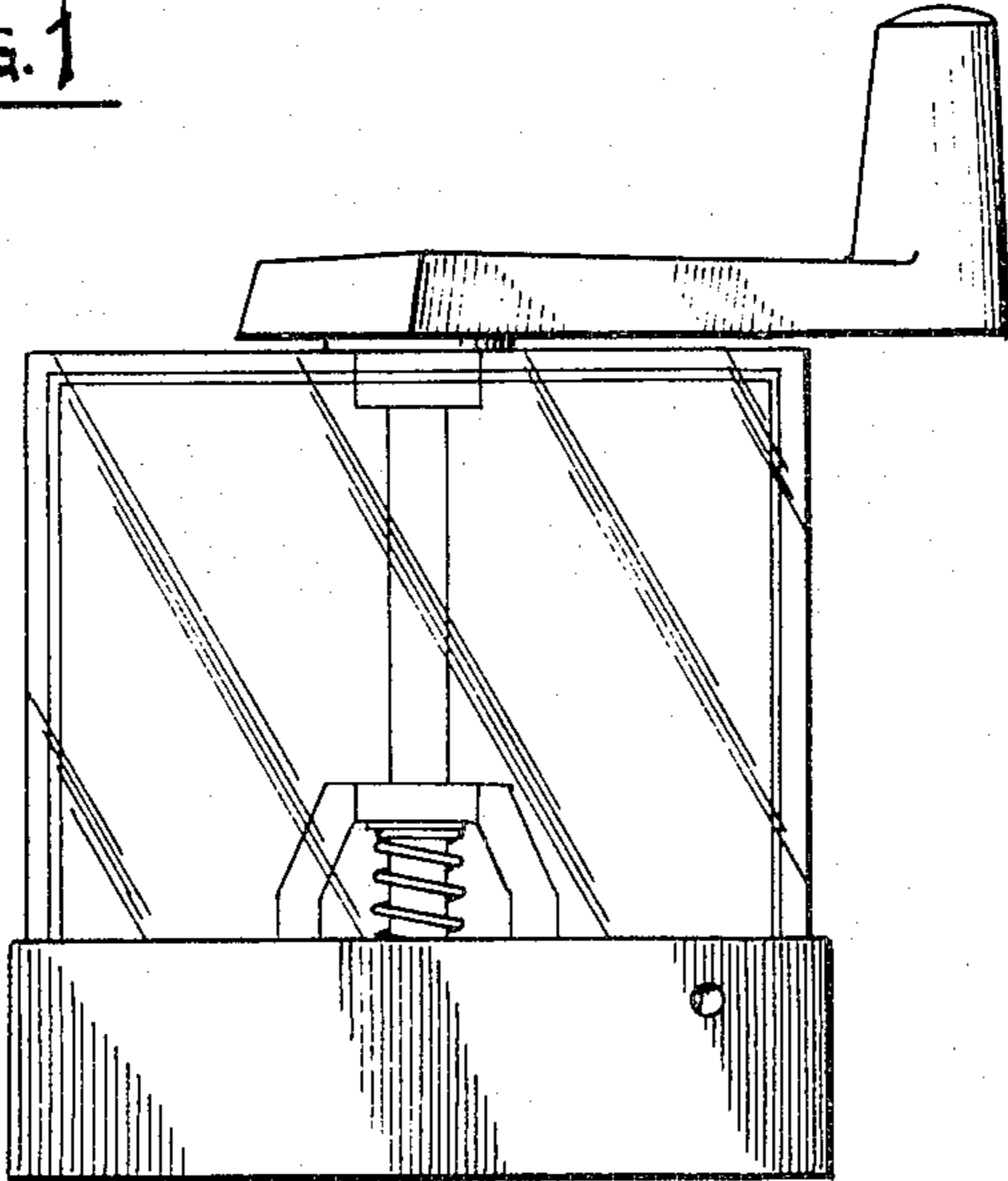


FIG. 2

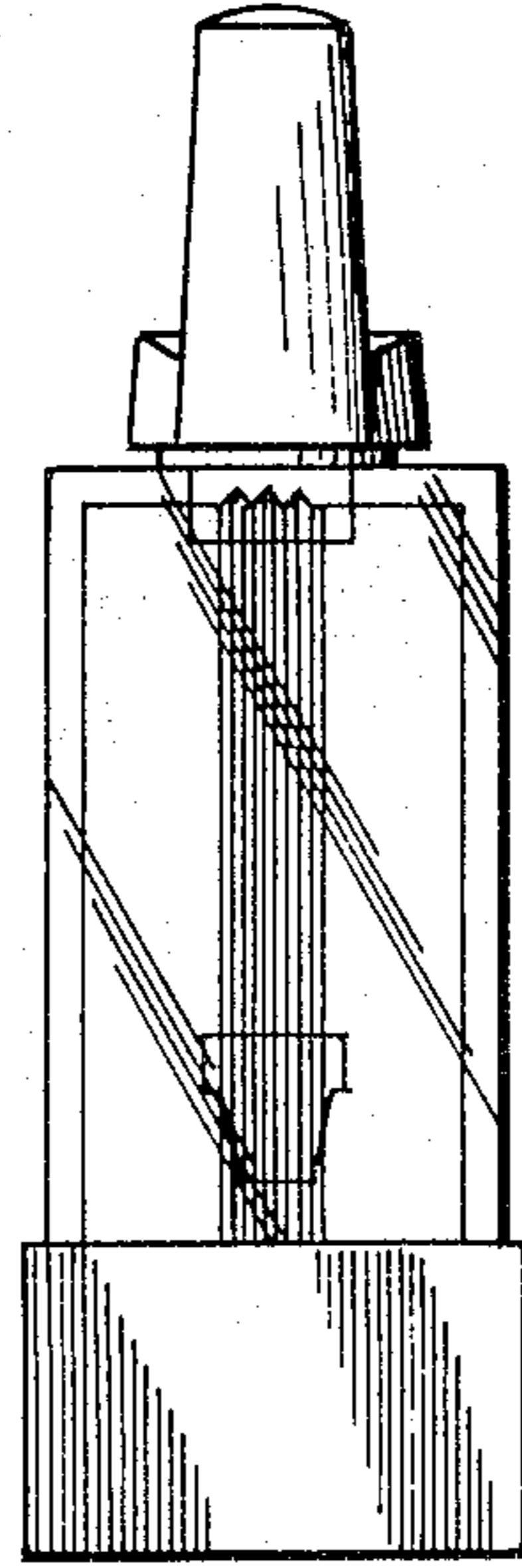


FIG. 3

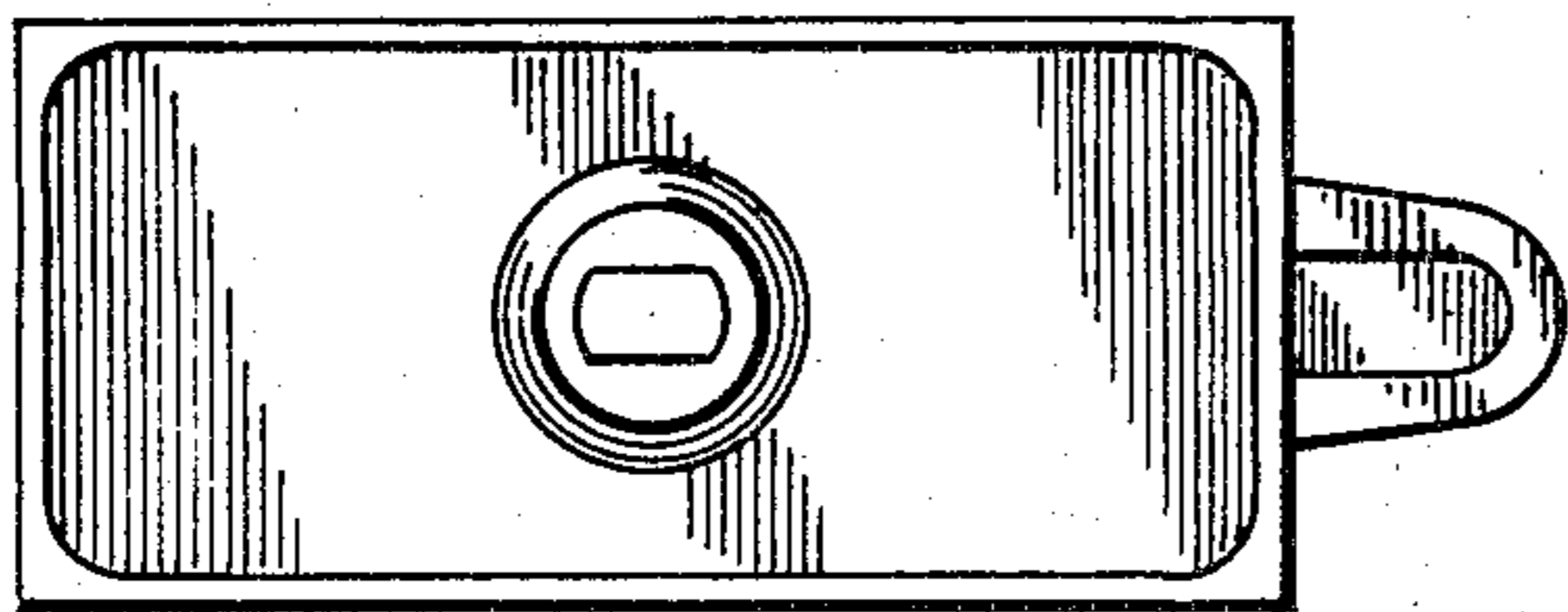


FIG. 4

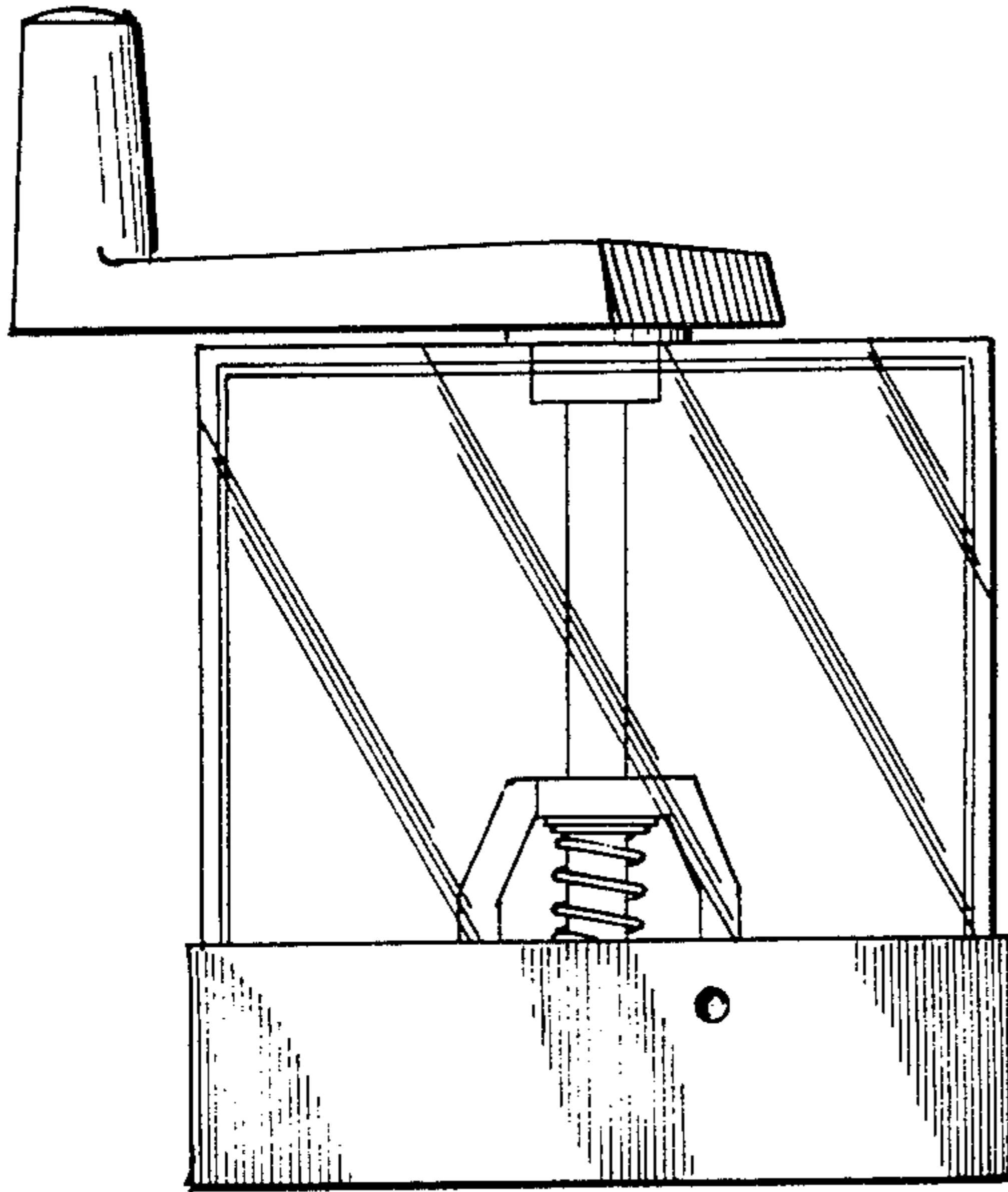


FIG 5

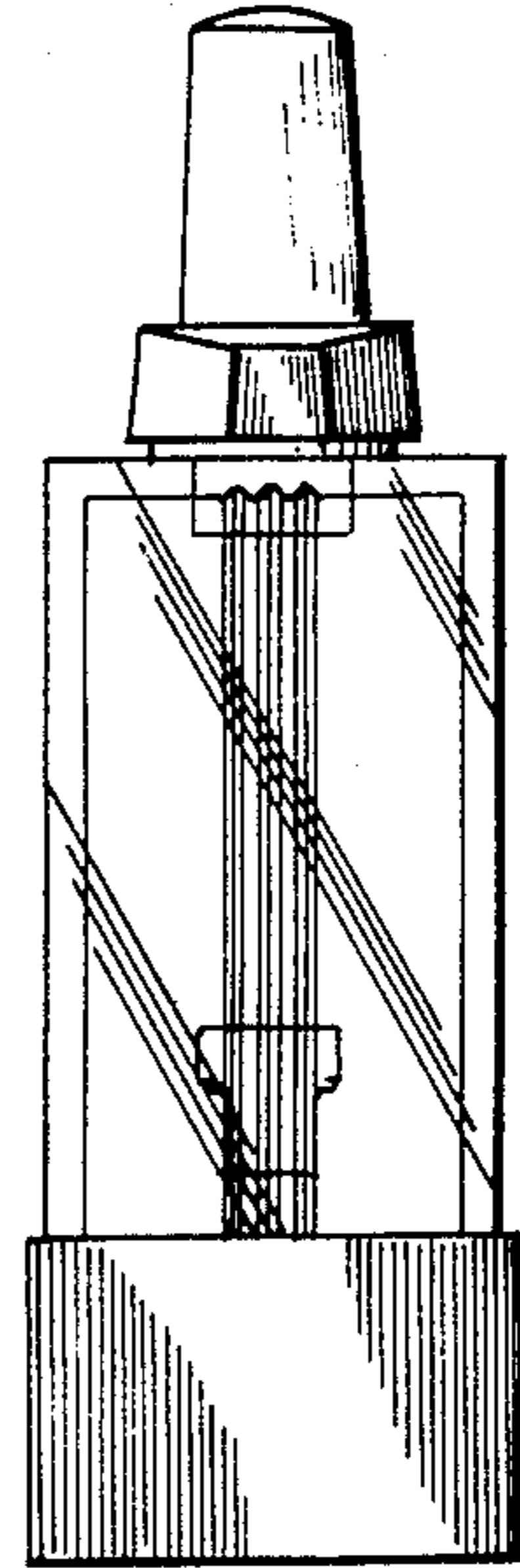


FIG. 6

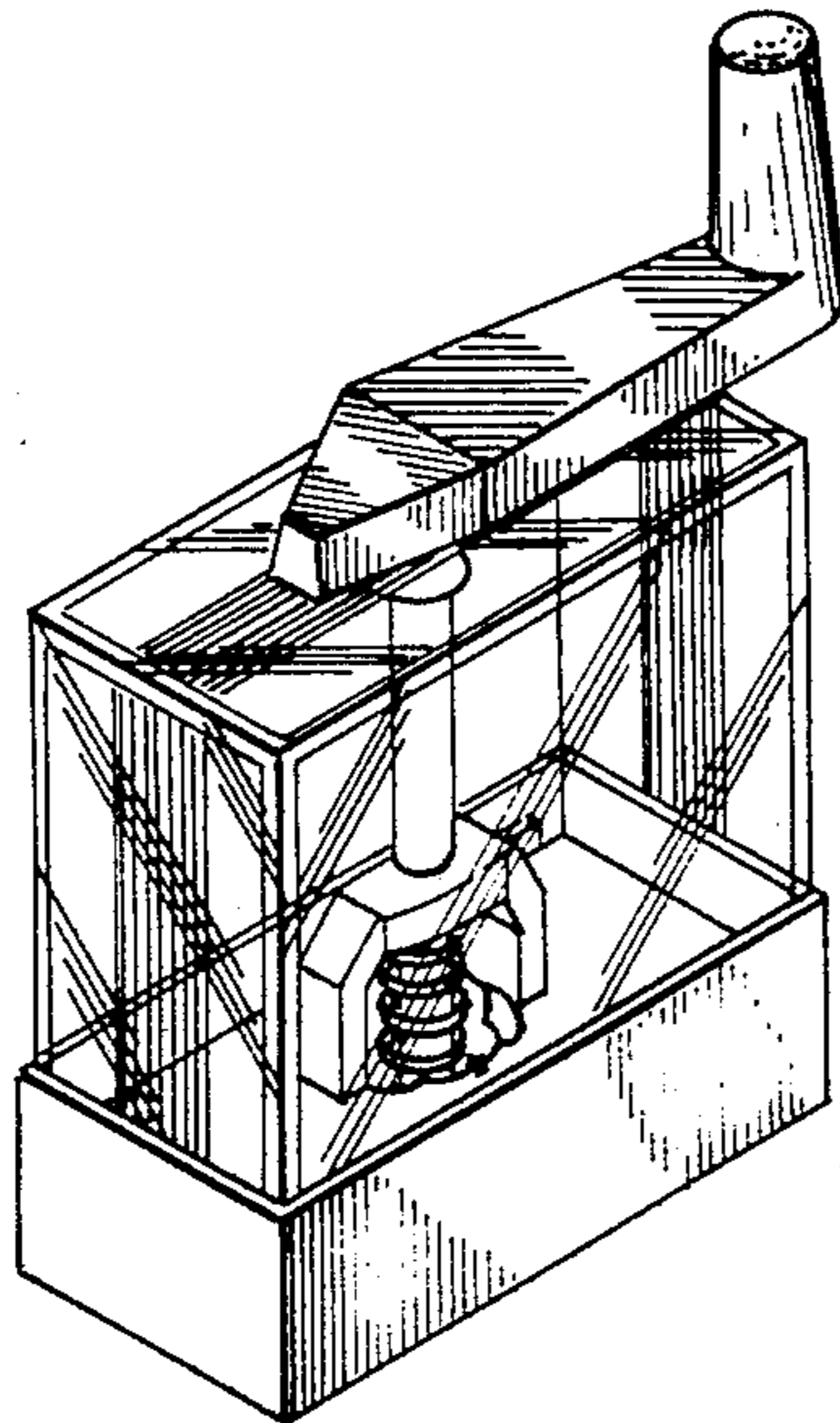


FIG. 7