

[54] COMPUTER TABLE STORAGE COMPARTMENT

[76] Inventor: Mark C. Jacobs, 4807 Marlborough Way, Carmichael, Calif. 95608

[\*\*] Term: 14 Years

[21] Appl. No.: 518,539

[22] Filed: Jul. 29, 1983

[52] U.S. Cl. .... D6/510; D6/436

[58] Field of Search ..... D6/480, 422, 423, 432, D6/436, 509, 510

[56] References Cited

U.S. PATENT DOCUMENTS

D. 185,544 6/1959 Frey ..... D6/480 X

OTHER PUBLICATIONS

Spectrum Collection by Royal Furn. Co., Jan. 15, 1968, p. 8, Desk No. 0282.  
OPD Catalog, Apr. 1980, p. 10, Storage Desk No. 3060cs.

Primary Examiner—Bruce W. Dunkins

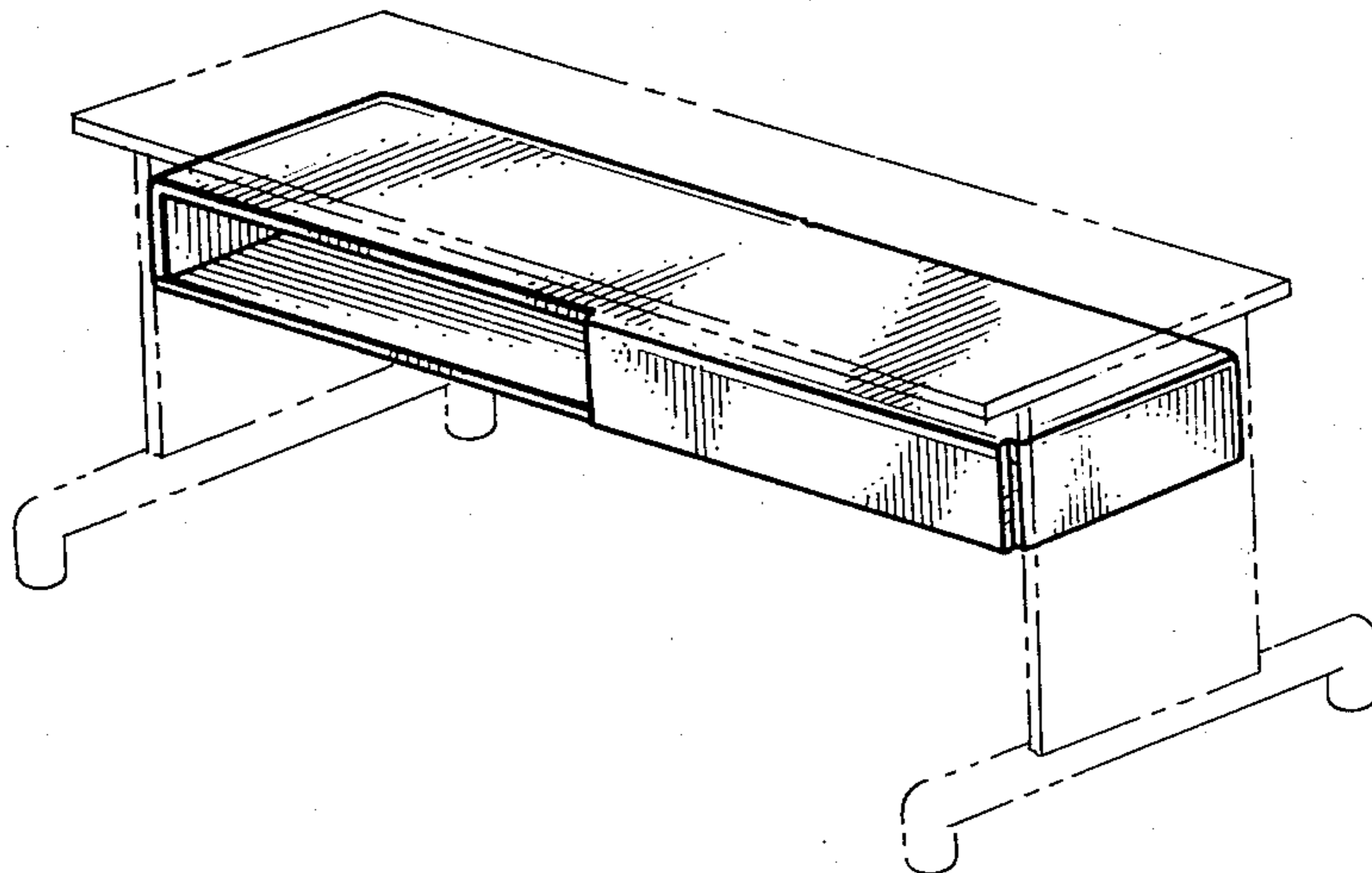
Attorney, Agent, or Firm—Mark C. Jacobs

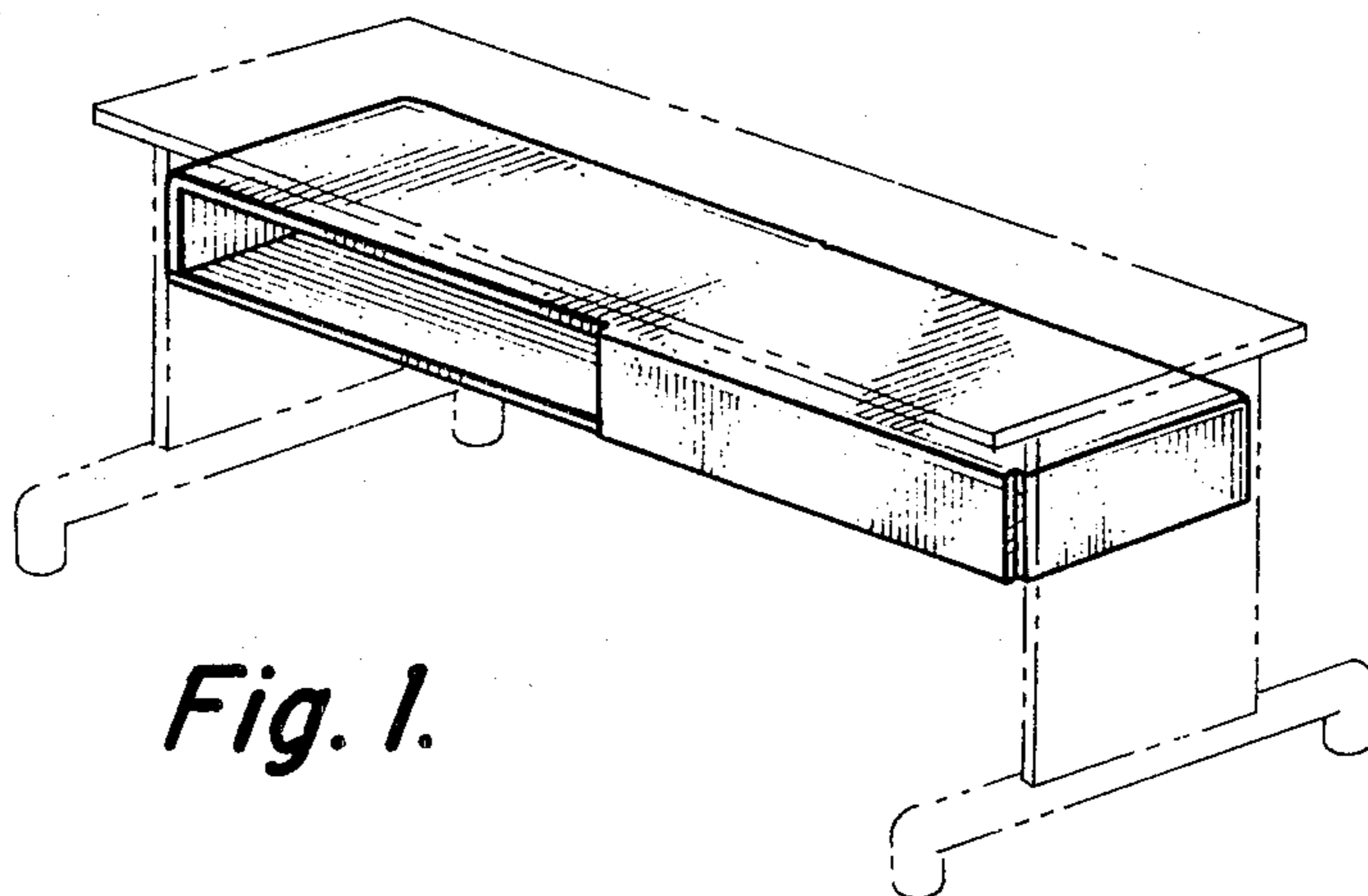
[57] CLAIM

The ornamental design for computer table storage compartment, substantially as shown and described.

DESCRIPTION

FIG. 1 is a perspective view of a computer table storage compartment showing my new design; FIG. 2 is a front elevational view; FIG. 3 is a right side elevational view; FIG. 4 is a left side elevational view; FIG. 5 is a rear elevational view; FIG. 6 is a top plan view; FIG. 7 is a bottom plan view; FIG. 8 is a front perspective view showing a second embodiment of my new design; FIG. 9 is a front elevational view of FIG. 8; FIG. 10 is a right side elevational view of FIG. 8; FIG. 11 is a left side elevational view of FIG. 8; FIG. 12 is a rear elevational view of FIG. 8; FIG. 13 is a top plan view of FIG. 8; and FIG. 14 is a bottom plan view of FIG. 8. The broken lines showing a computer table in FIGS. 1 and 8 are for illustrative purposes only.

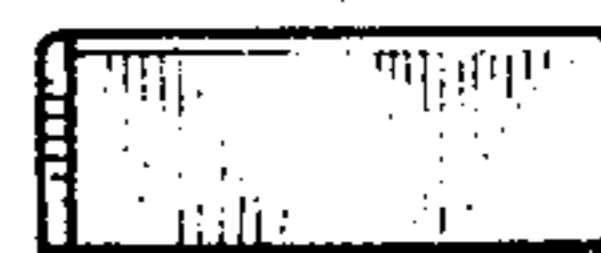




*Fig. 1.*



*Fig. 2.*



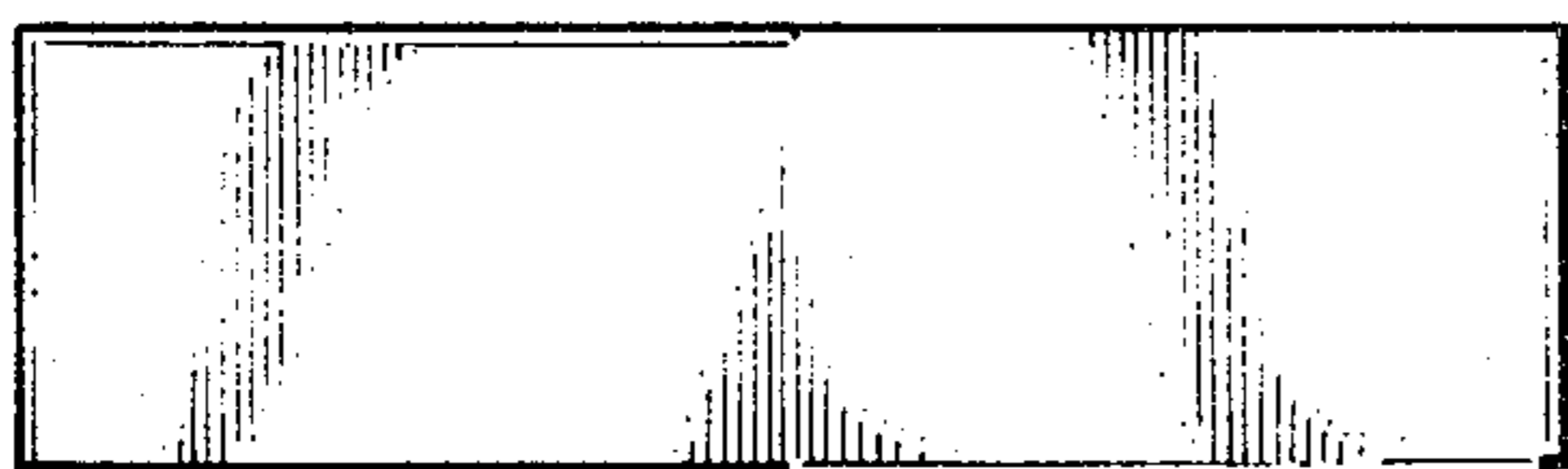
*Fig. 3.*



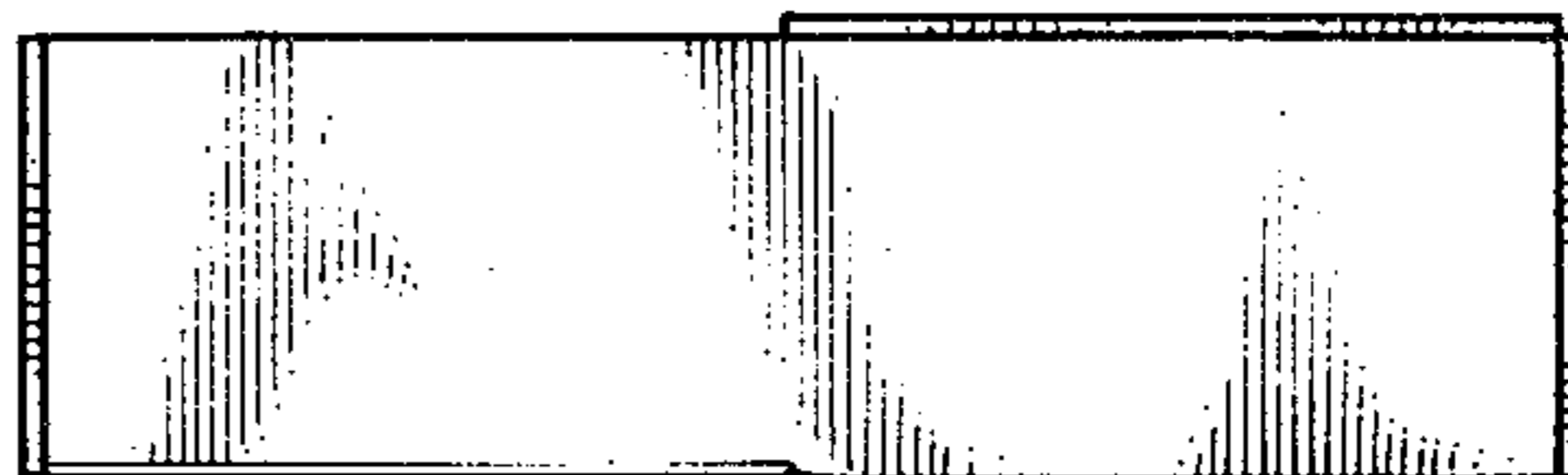
*Fig. 4.*



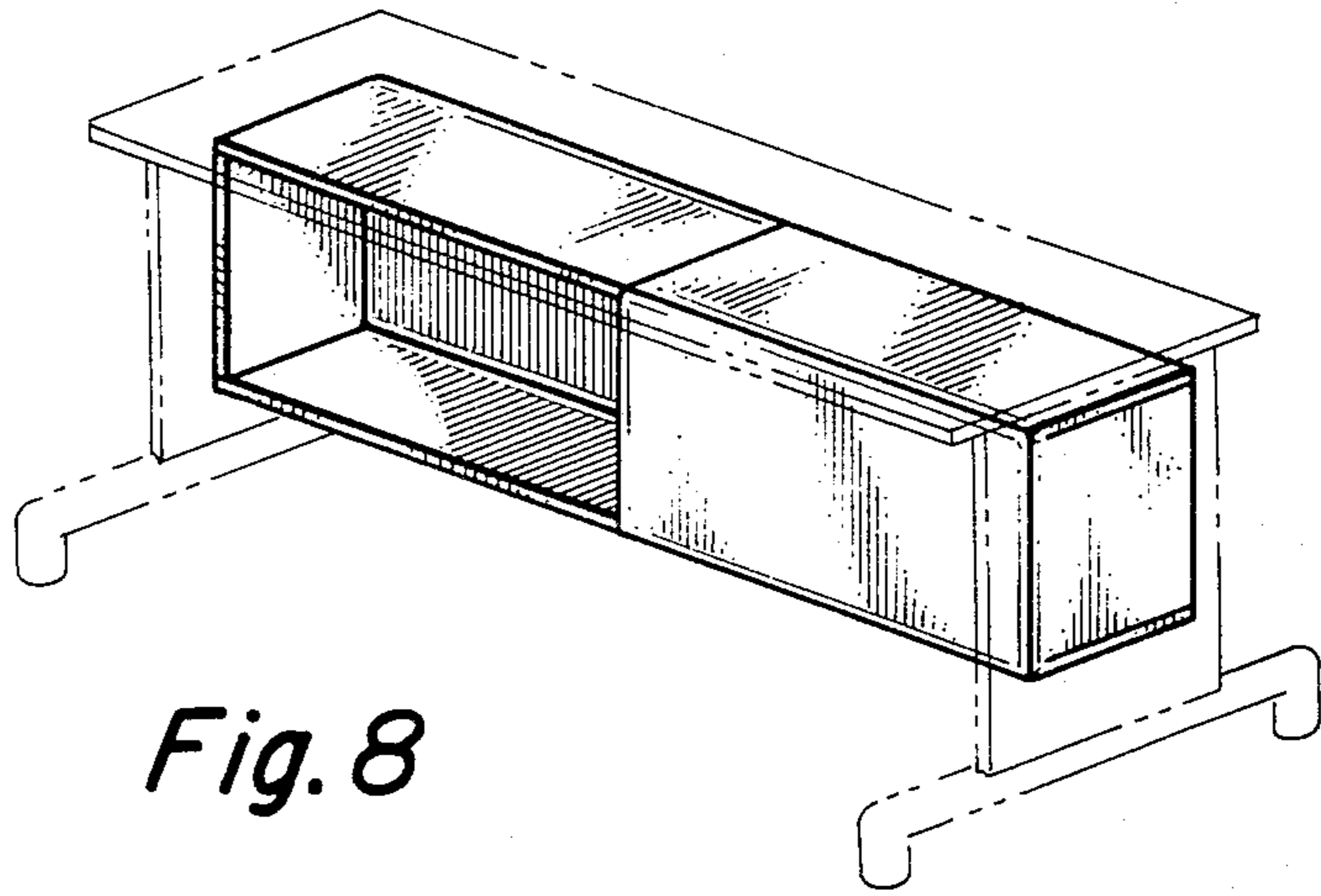
*Fig. 5.*



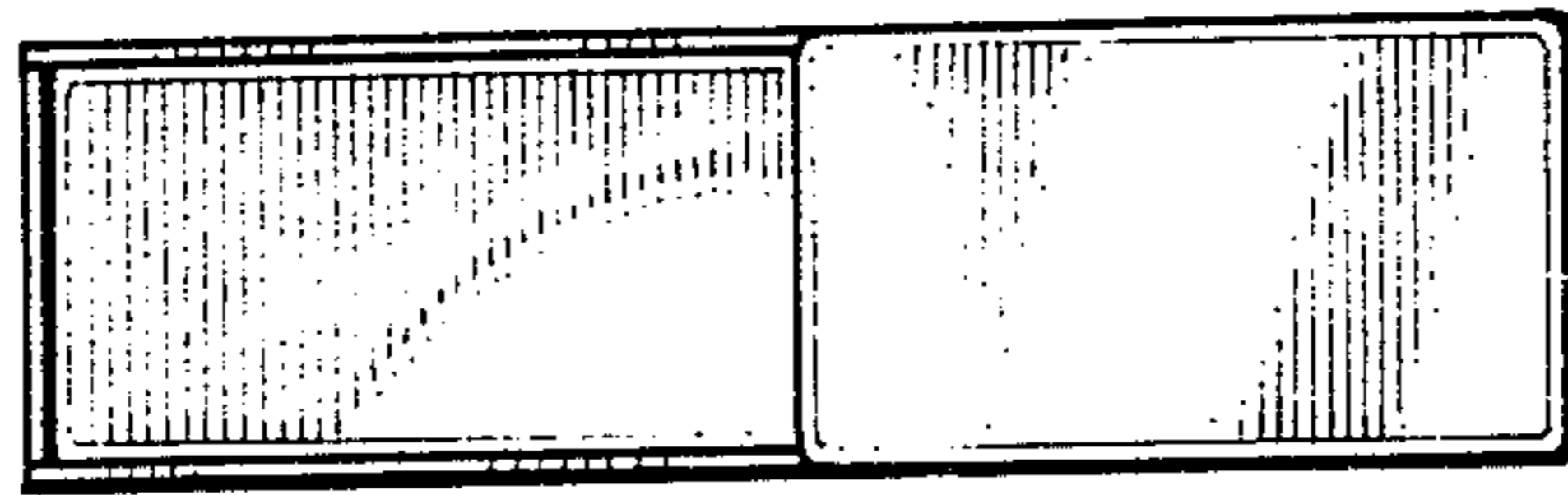
*Fig. 6.*



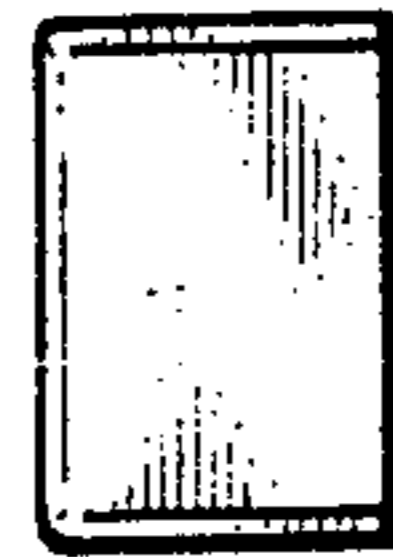
*Fig. 7.*



*Fig. 8*



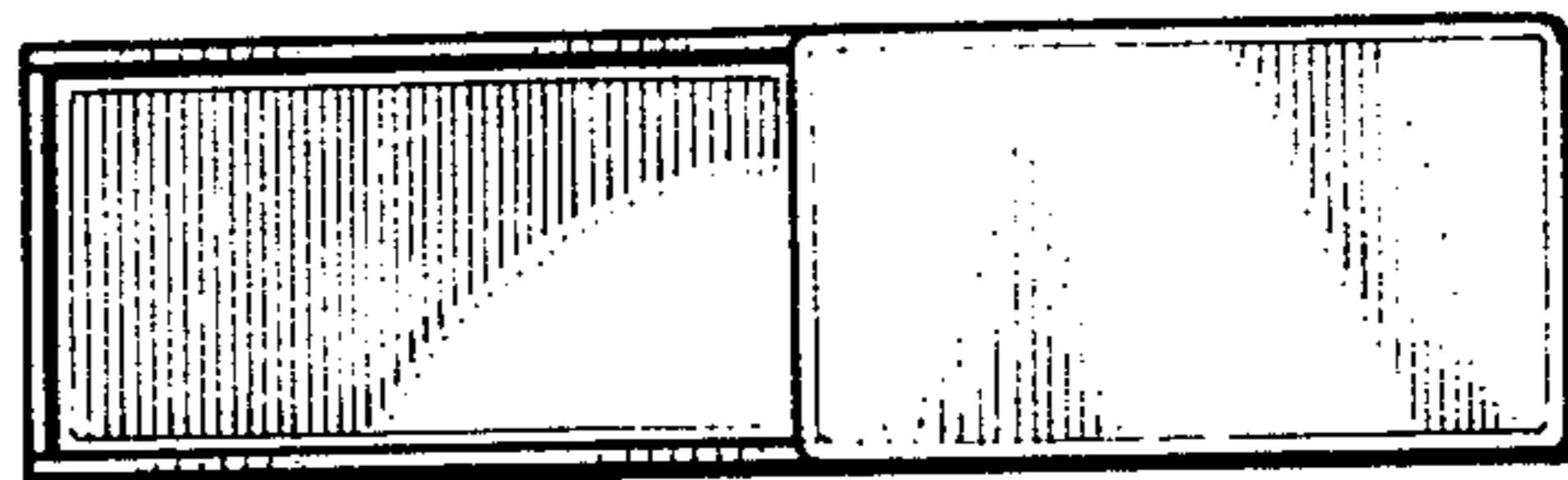
*Fig. 9*



*Fig. 10*



*Fig. 11*



*Fig. 12*



*Fig. 13*



*Fig. 14*