

[54] COLLAPSIBLE HEAD REST

[76] Inventor: Daniel F. Macedonio, 19020-3 Kittridge St., Reseda, Calif. 91335

[\*\*] Term: 14 Years

[21] Appl. No.: 634,134

[22] Filed: Jul. 25, 1984

[52] U.S. Cl. .... D6/502; D6/368

[58] Field of Search ..... D6/335, 367, 368, 501, D6/502

[56] References Cited

U.S. PATENT DOCUMENTS

D. 190,323	5/1961	Stair	.....	D6/502
D. 251,639	4/1979	Colby	.....	D6/368 X
4,065,173	12/1977	Gittings	.....	D6/368 X
4,105,244	8/1978	Colby	.....	D6/368 X

OTHER PUBLICATIONS

Oxford International Brochure, Chair No. 8104.

Primary Examiner—Bruce W. Dunkins

Attorney, Agent, or Firm—Cislo, O'Reilly & Thomas

[57] CLAIM

The ornamental design for a collapsible head rest, as shown and described.

DESCRIPTION

FIG. 1 is a perspective view of a collapsible head rest showing my design;  
 FIG. 2 is a bottom view of the device illustrated in FIG. 1;  
 FIG. 3 is a top view of the device illustrated in FIG. 1;  
 FIG. 4 is a front view of the device illustrated in FIG. 1;  
 FIG. 5 is a left side elevational view illustrating the device in FIG. 1;  
 FIG. 6 is a back view of the device illustrated in FIG. 1;  
 FIG. 7 is a right side elevational view illustrating the device in FIG. 1;  
 FIG. 8 is a perspective view showing an alternative embodiment of my invention;  
 FIG. 9 is a bottom view of the alternative embodiment of my invention;  
 FIG. 10 is a top view of the alternative embodiment of my invention;  
 FIG. 11 is a front view of the alternative embodiment of my invention;  
 FIG. 12 is a left side elevational view of the alternative embodiment of my invention;  
 FIG. 13 is a back view of the alternative embodiment of my invention; and  
 FIG. 14 is a right side elevational view of the alternative embodiment of my invention.

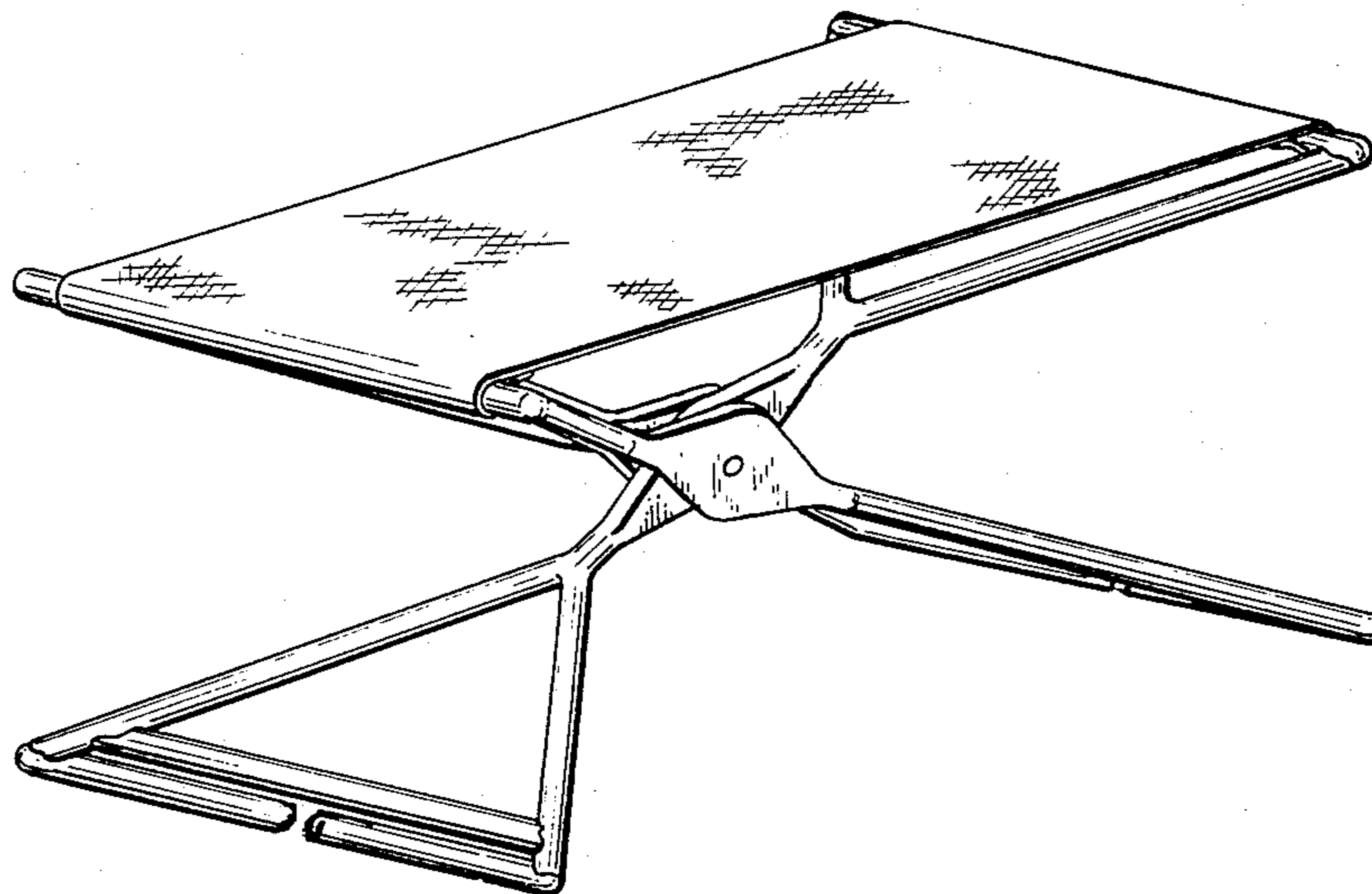


Fig. 1.

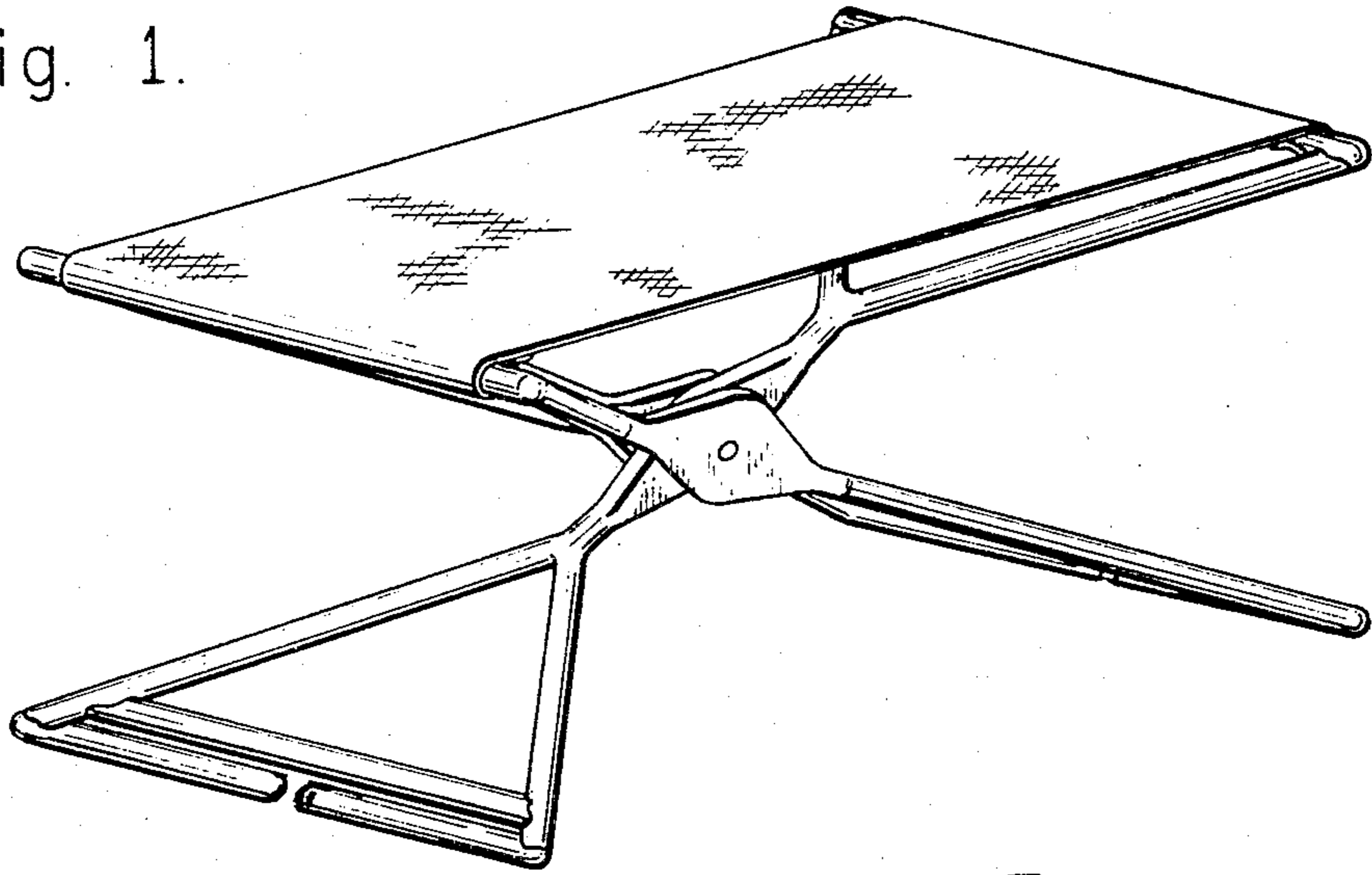


Fig. 2.

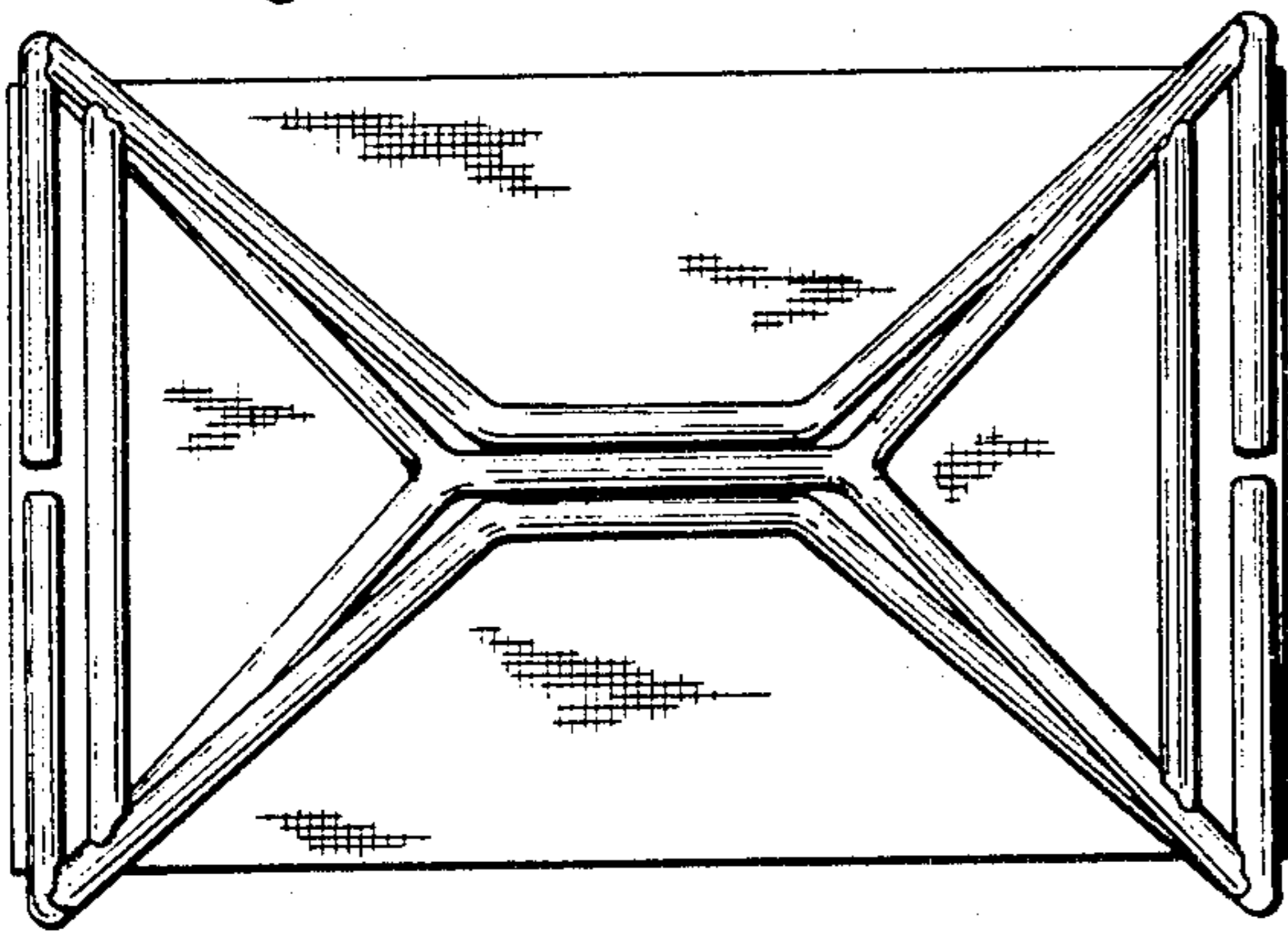


Fig. 3.

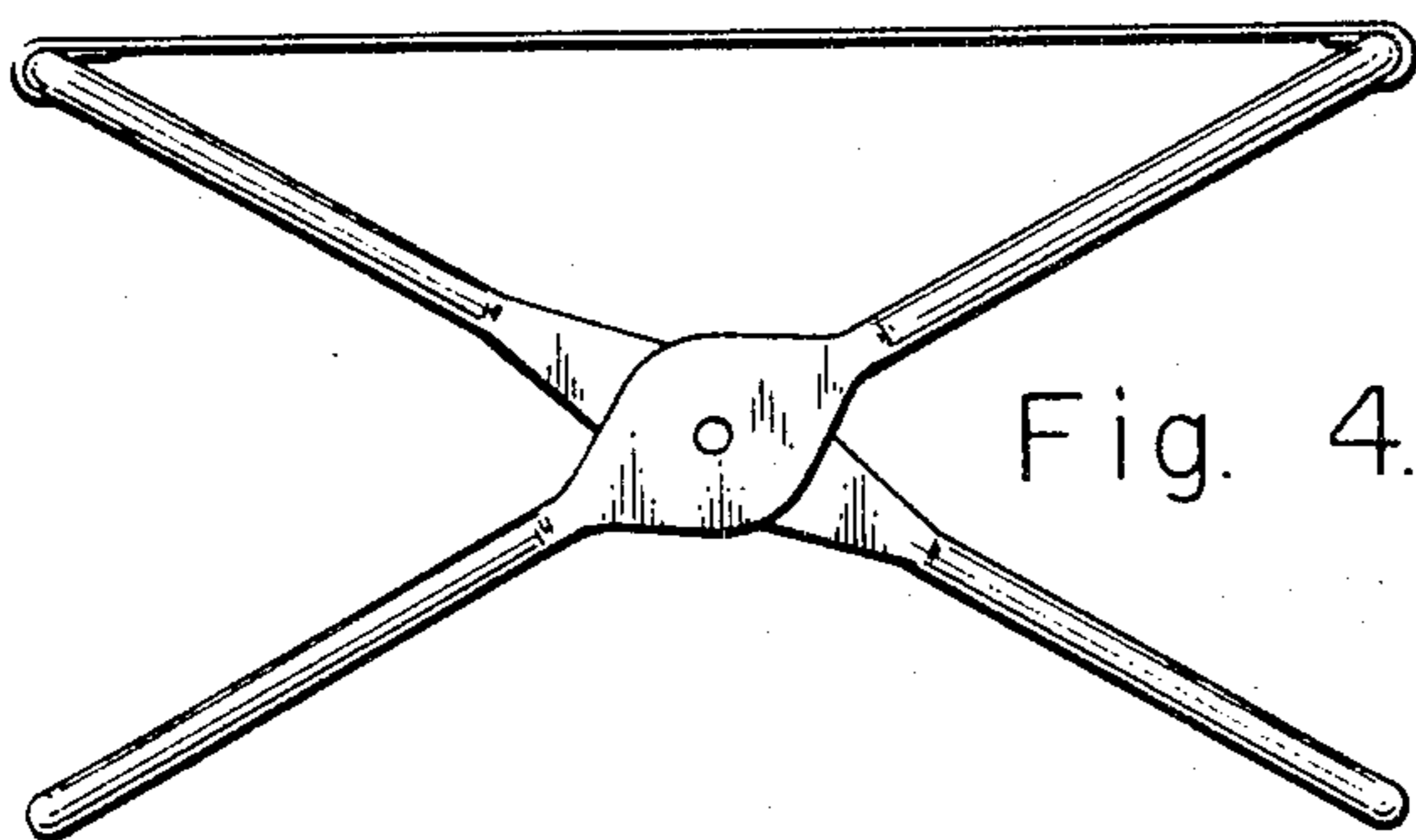
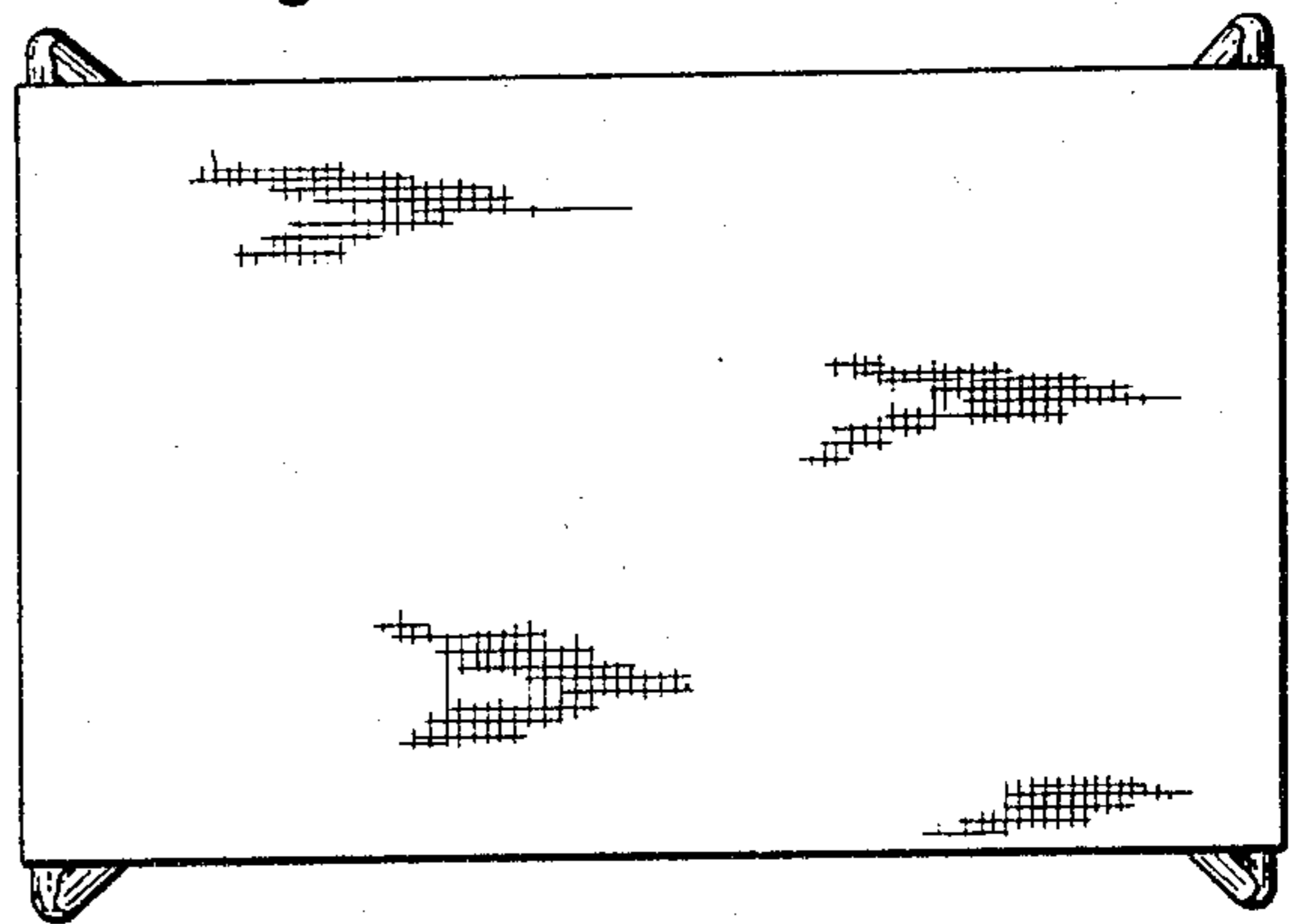


Fig. 4.

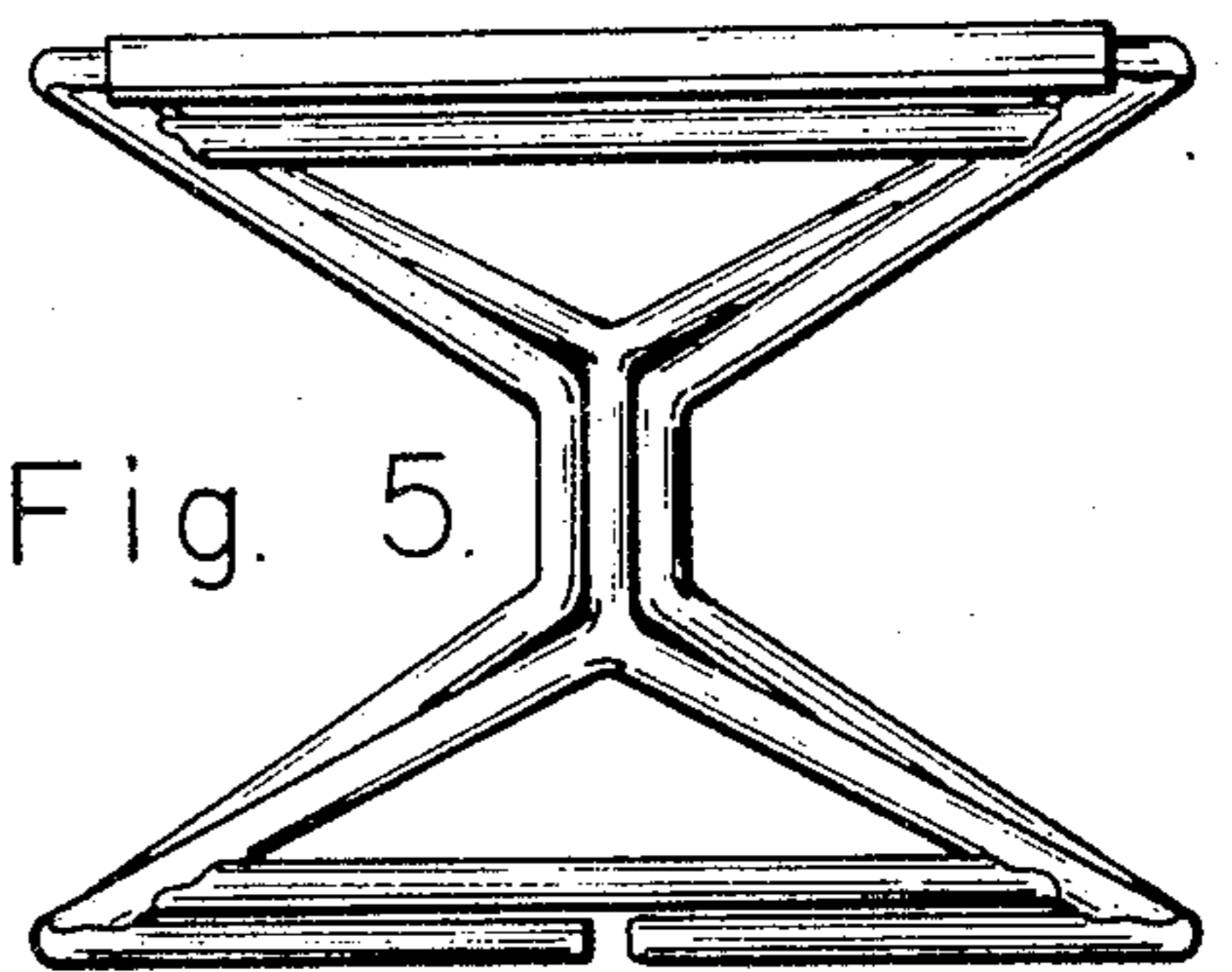


Fig. 5.

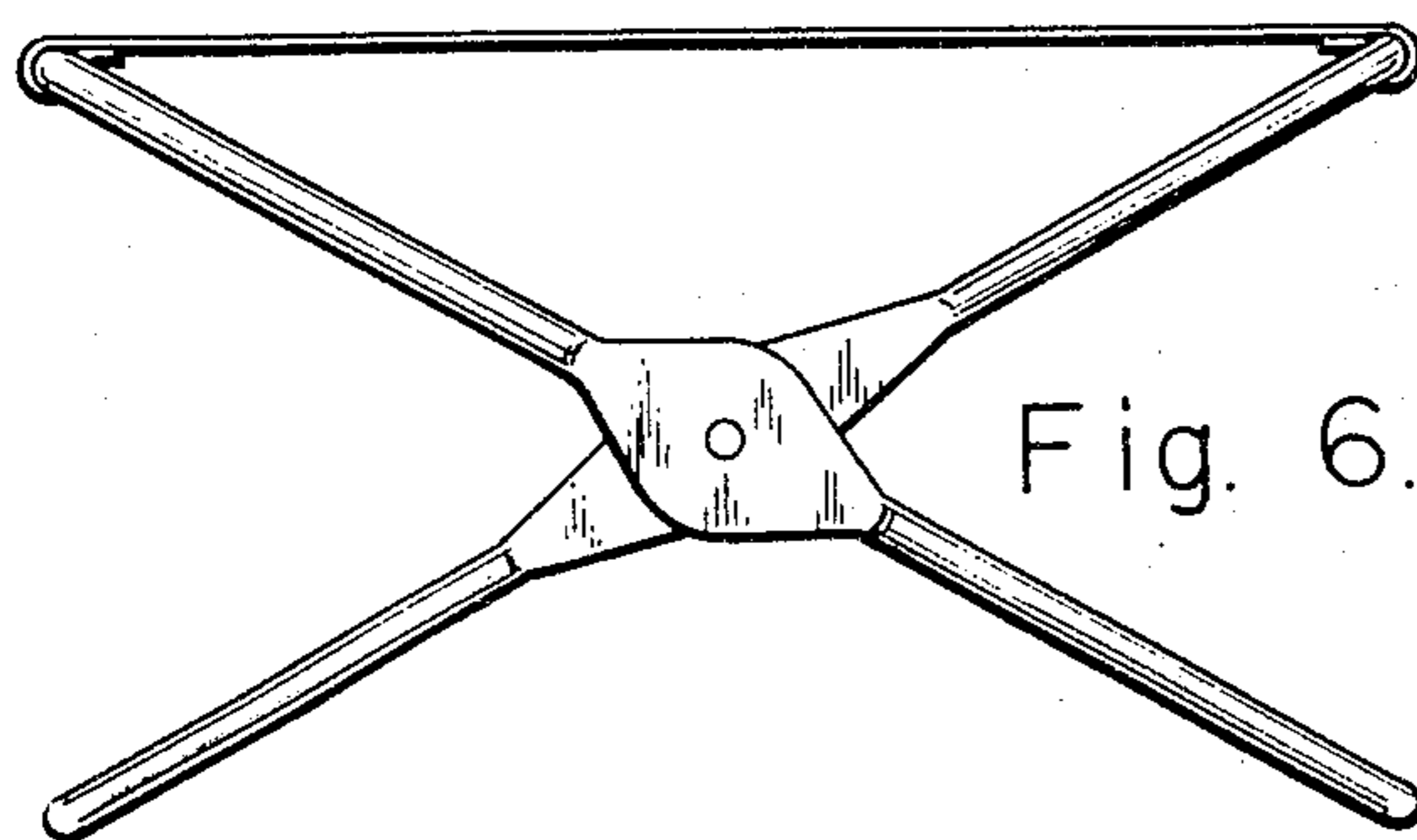


Fig. 6.

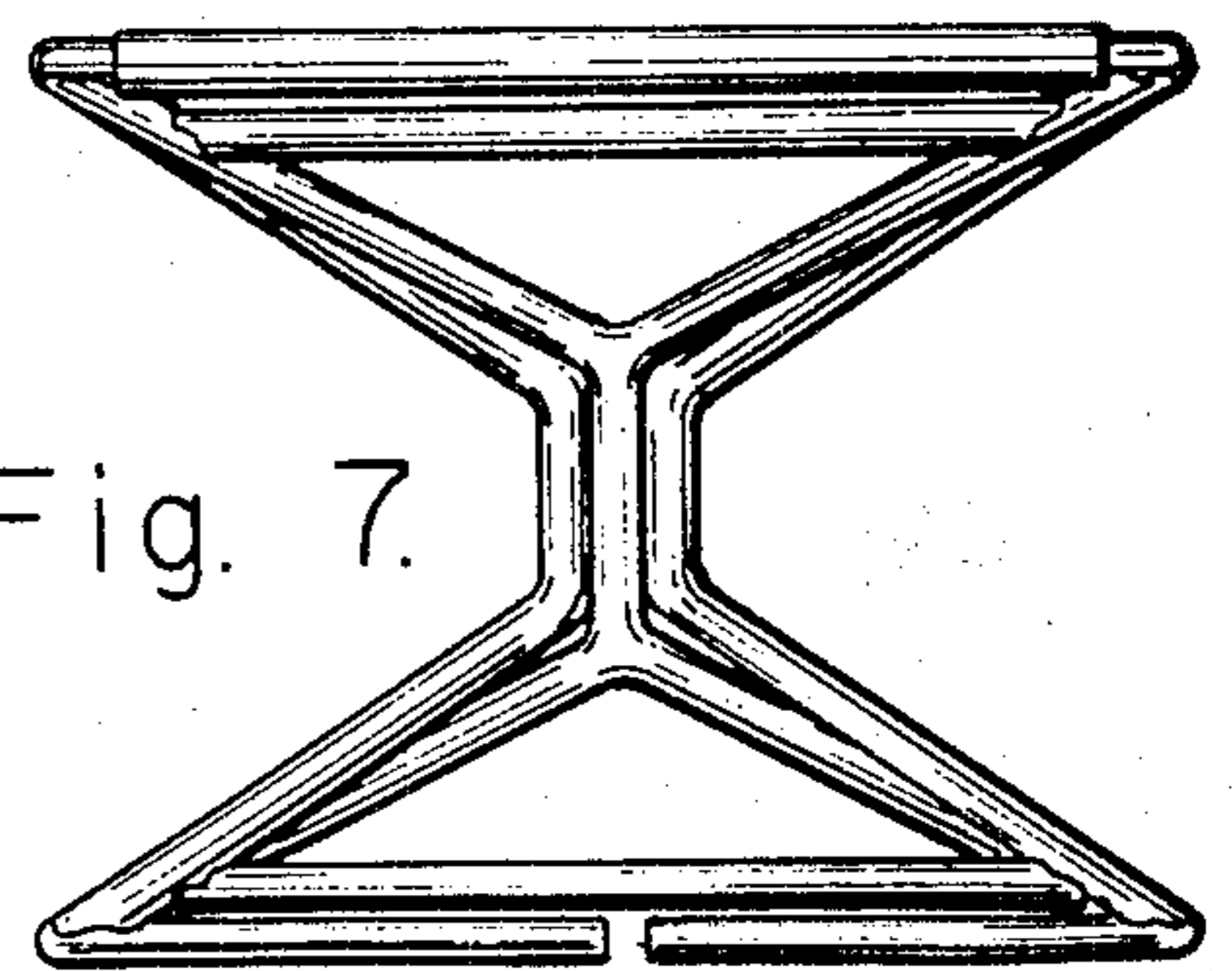


Fig. 7.

Fig. 8.

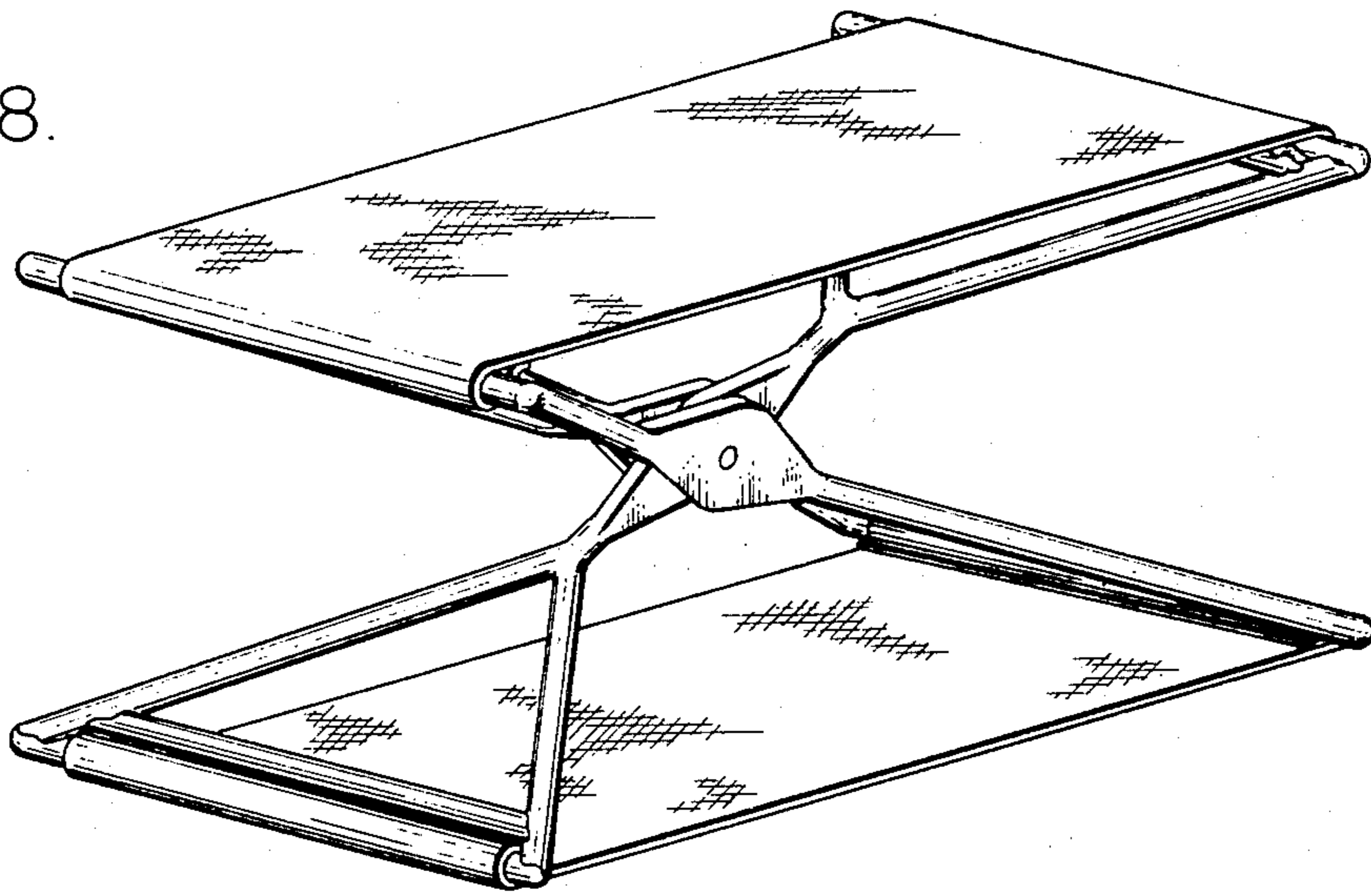


Fig. 9.

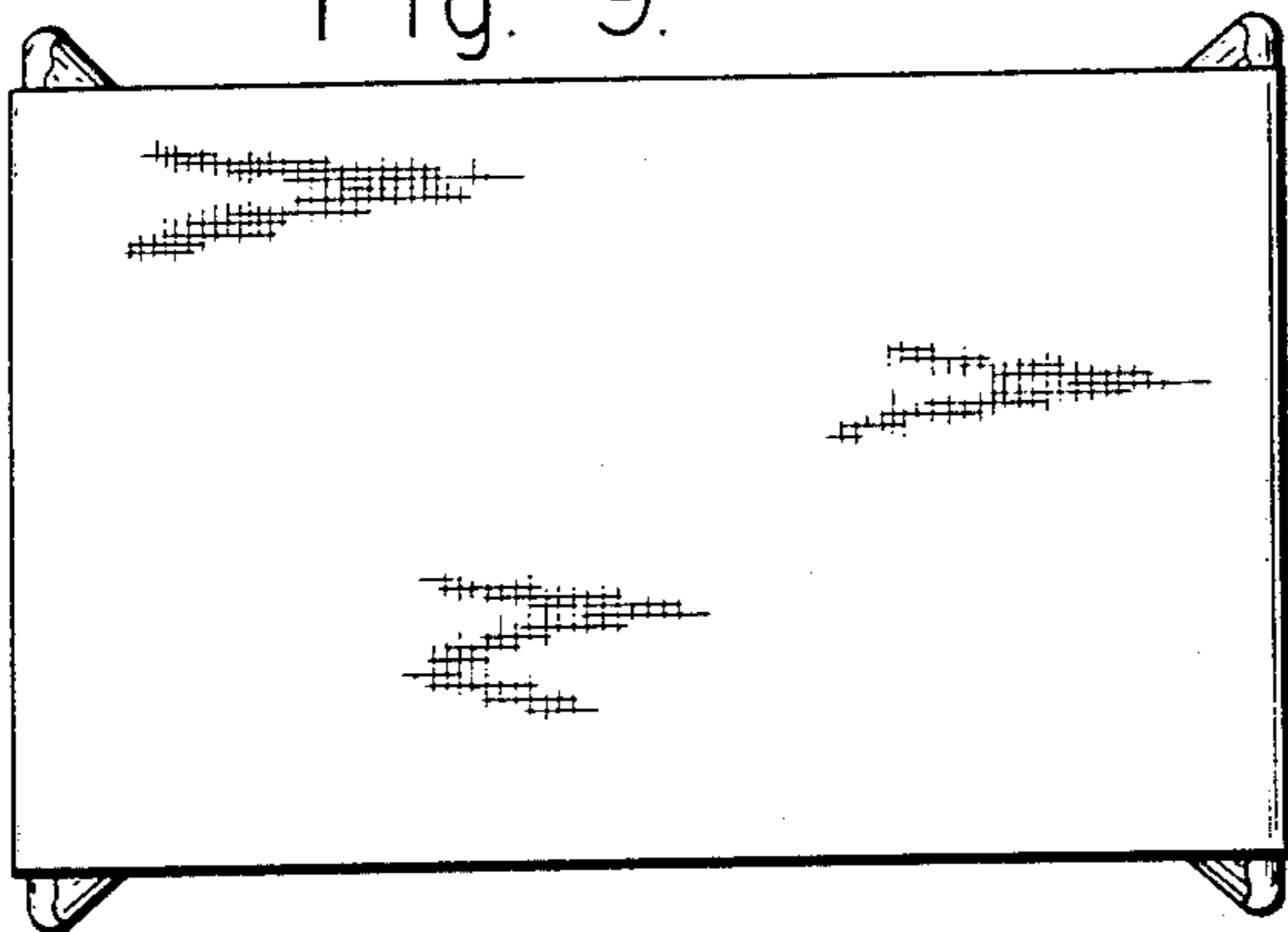


Fig. 10.

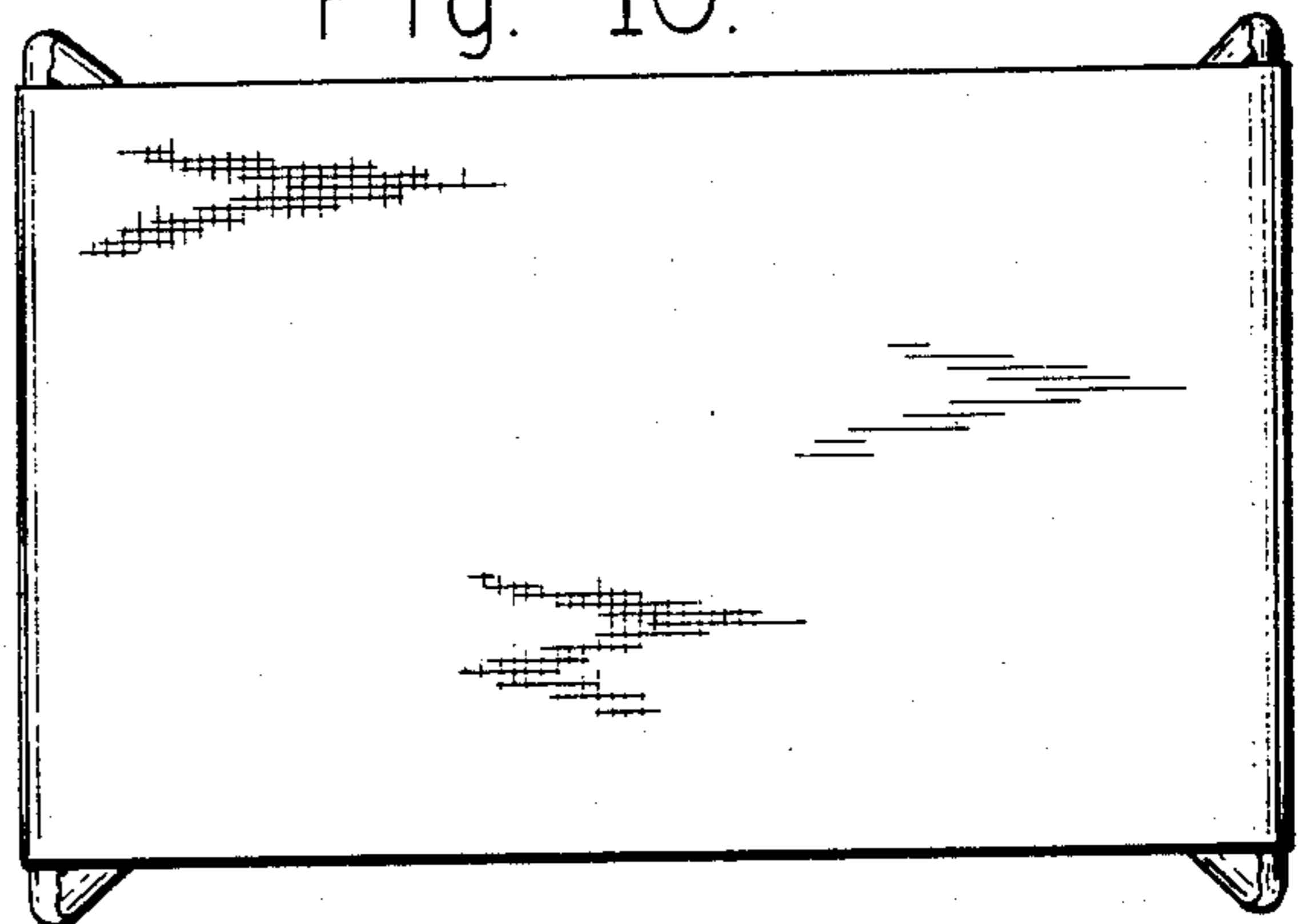


Fig. 11.

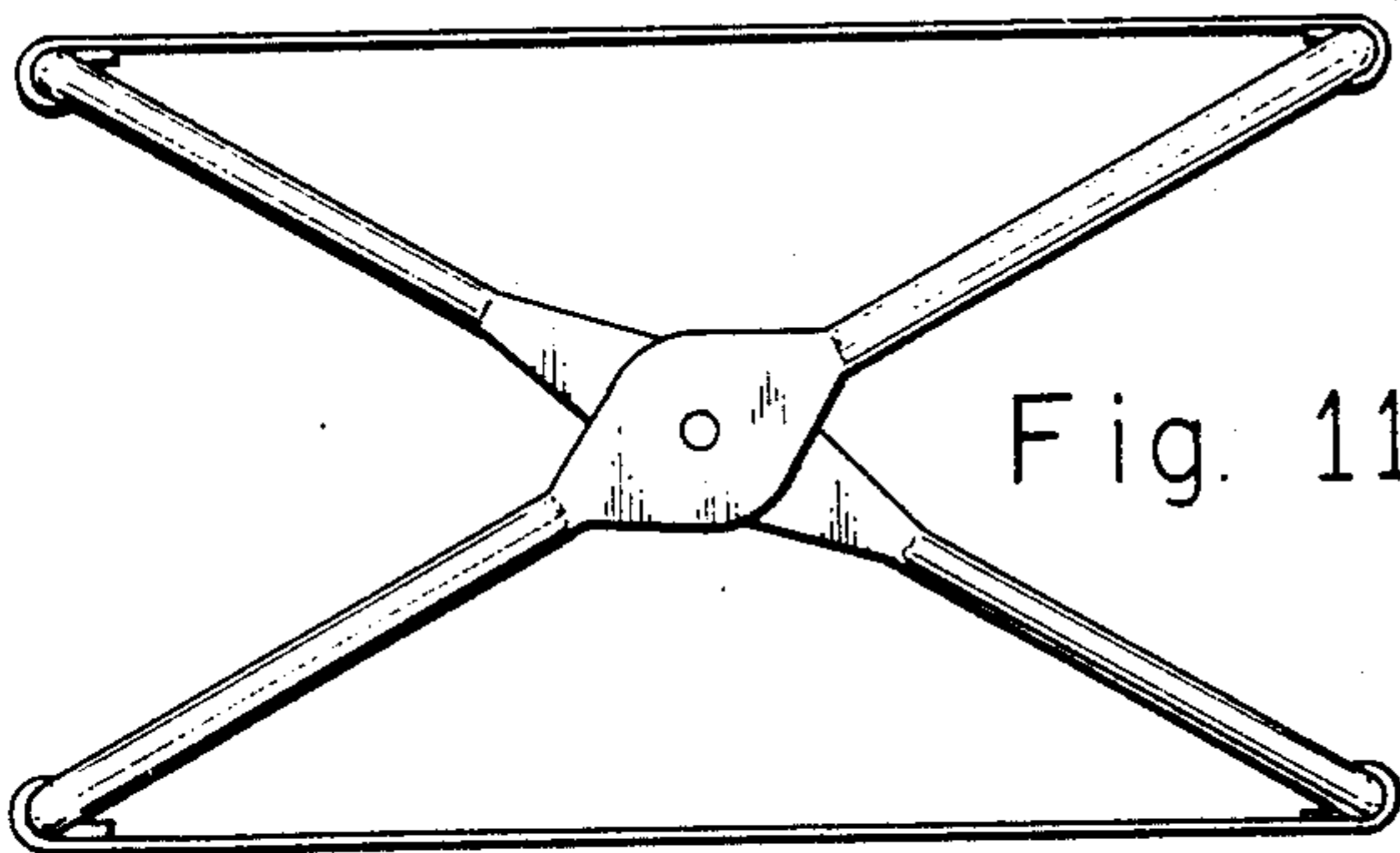


Fig. 12.

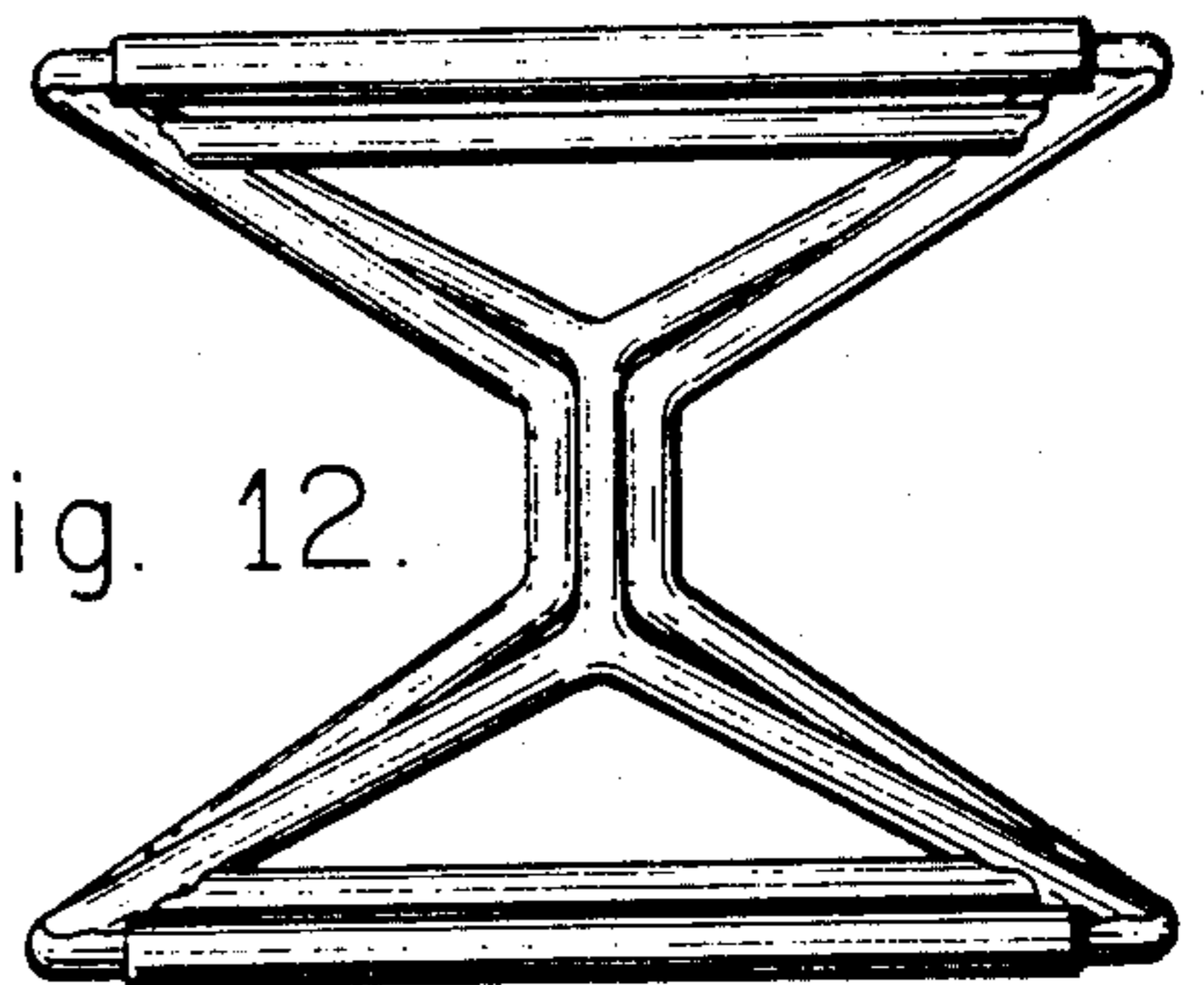


Fig. 13.

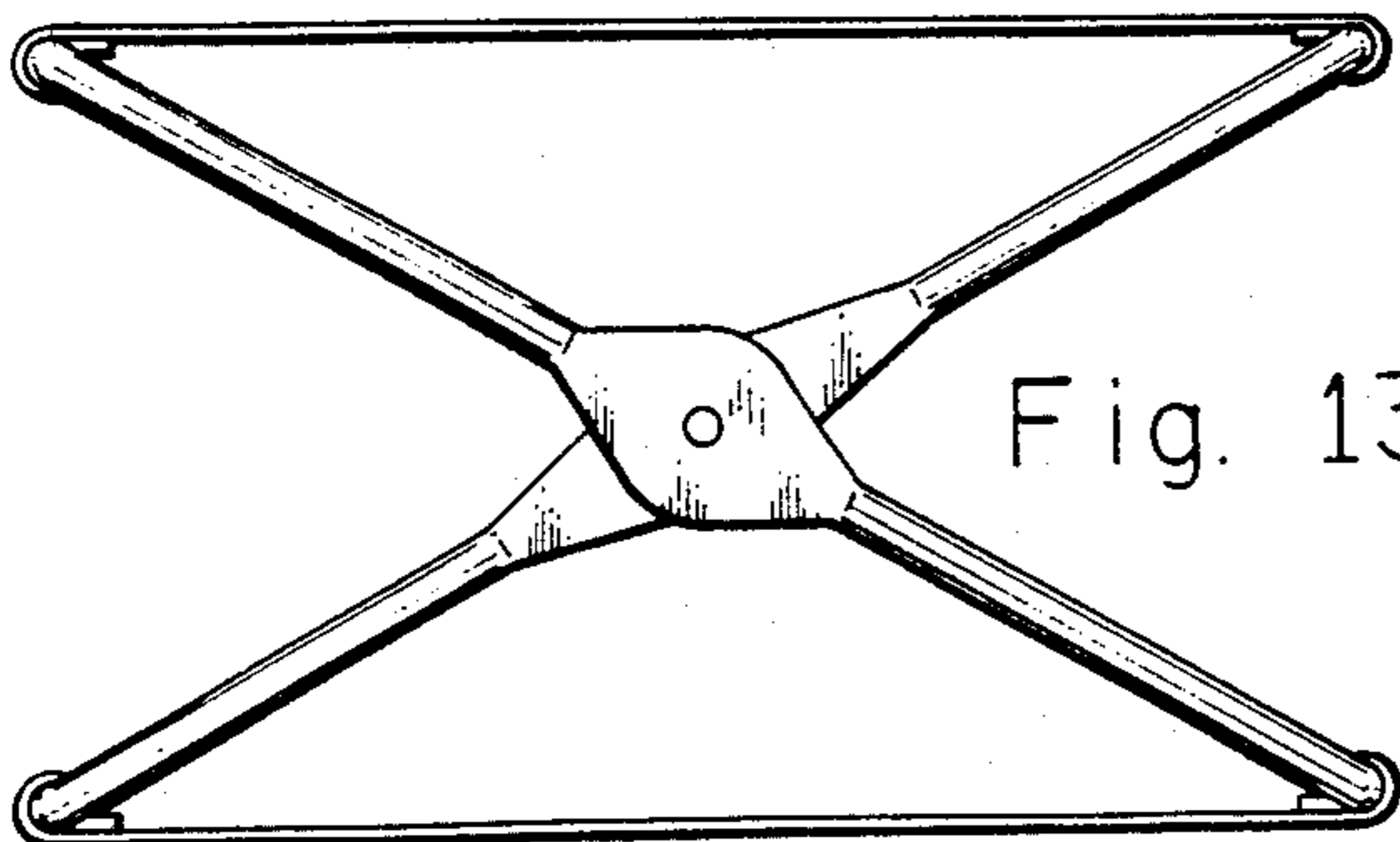


Fig. 14.

