

[54] STORAGE CABINET

[76] Inventor: Mark Densen, 18 Blackburn Pl., Summit, N.J. 07901

[\*\*] Term: 14 Years

[21] Appl. No.: 777,405

[22] Filed: Sep. 18, 1985

Related U.S. Application Data

[62] Division of Ser. No. 535,246, Sep. 23, 1983, Pat. No. Des. 282,795.

[52] U.S. Cl. .... D6/446; D6/448; D6/479

[58] Field of Search ..... D6/432, 440, 446, 445, D6/448, 479, 477; 312/203, 258, 330 R, 119; 108/59, 111, 102, 108; D3/30.1

References Cited

U.S. PATENT DOCUMENTS

D. 59,614	11/1921	Tockes	.....	D6/440
D. 90,268	7/1933	Smith	.....	D9/307
D. 120,624	5/1940	Lowenstein	.....	D9/309
3,576,355	4/1971	Stone et al.	.....	312/258

3,591,245	7/1971	Allen	.....	312/258
4,261,627	4/1981	Felsenthal	.....	312/258

OTHER PUBLICATIONS

"Lansburgh's Notions Time! Spring '71" Supplement to: Sunday Star, Apr. 18, 1971; Backcover; Chests top left on page.

J. C. Penny Fall & Winter 1971, p. 1049; Item #5 Open Shelf Bookcase.

Primary Examiner—Carmen H. Vales

Attorney, Agent, or Firm— Arthur T. Fattibene

CLAIM

[57] The ornamental design for the storage cabinet, substantially as shown and described.

DESCRIPTION

FIG. 1 is a perspective view of a storage cabinet showing my new design; the drawer in open position for convenience of illustration;

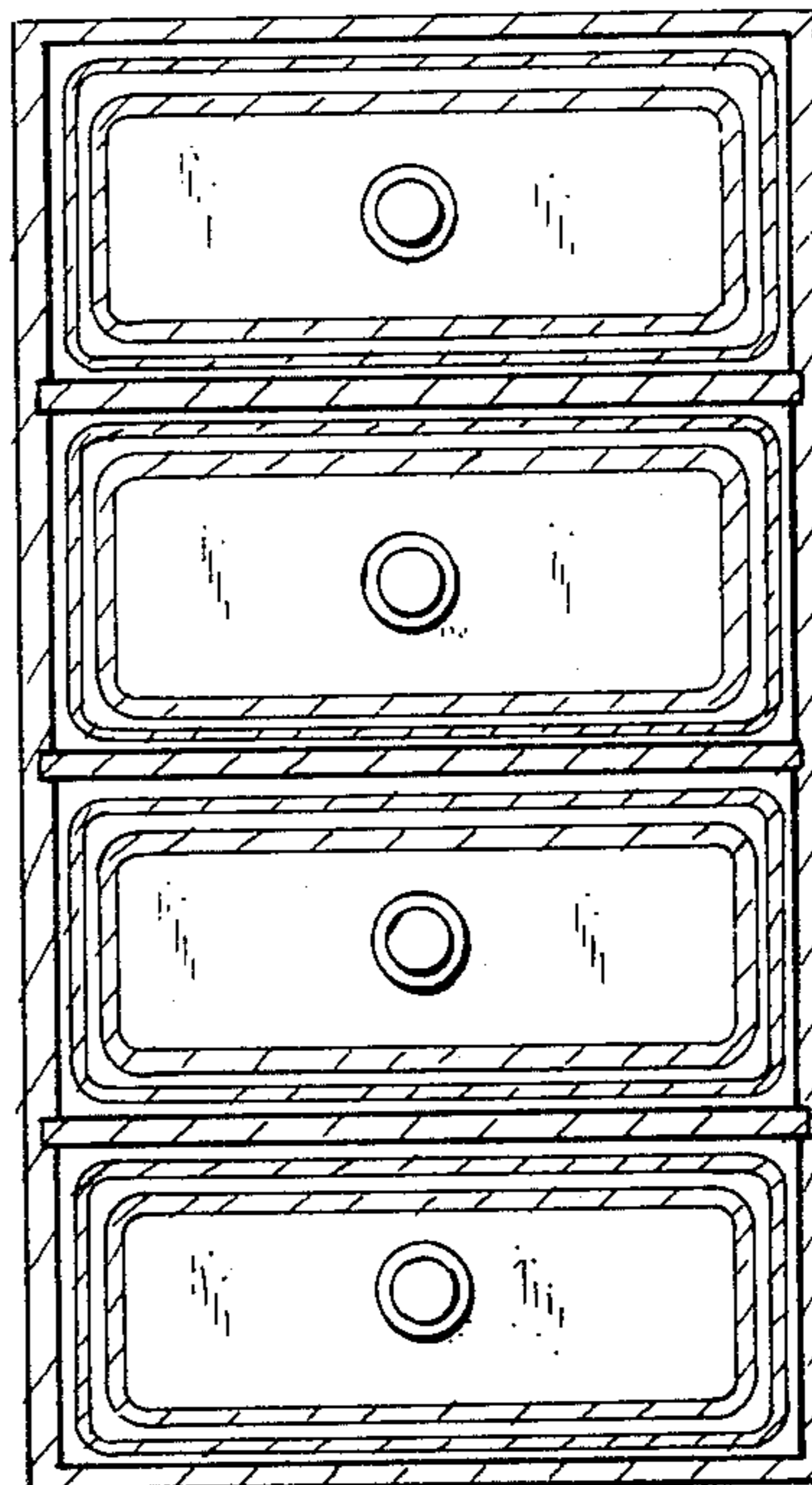
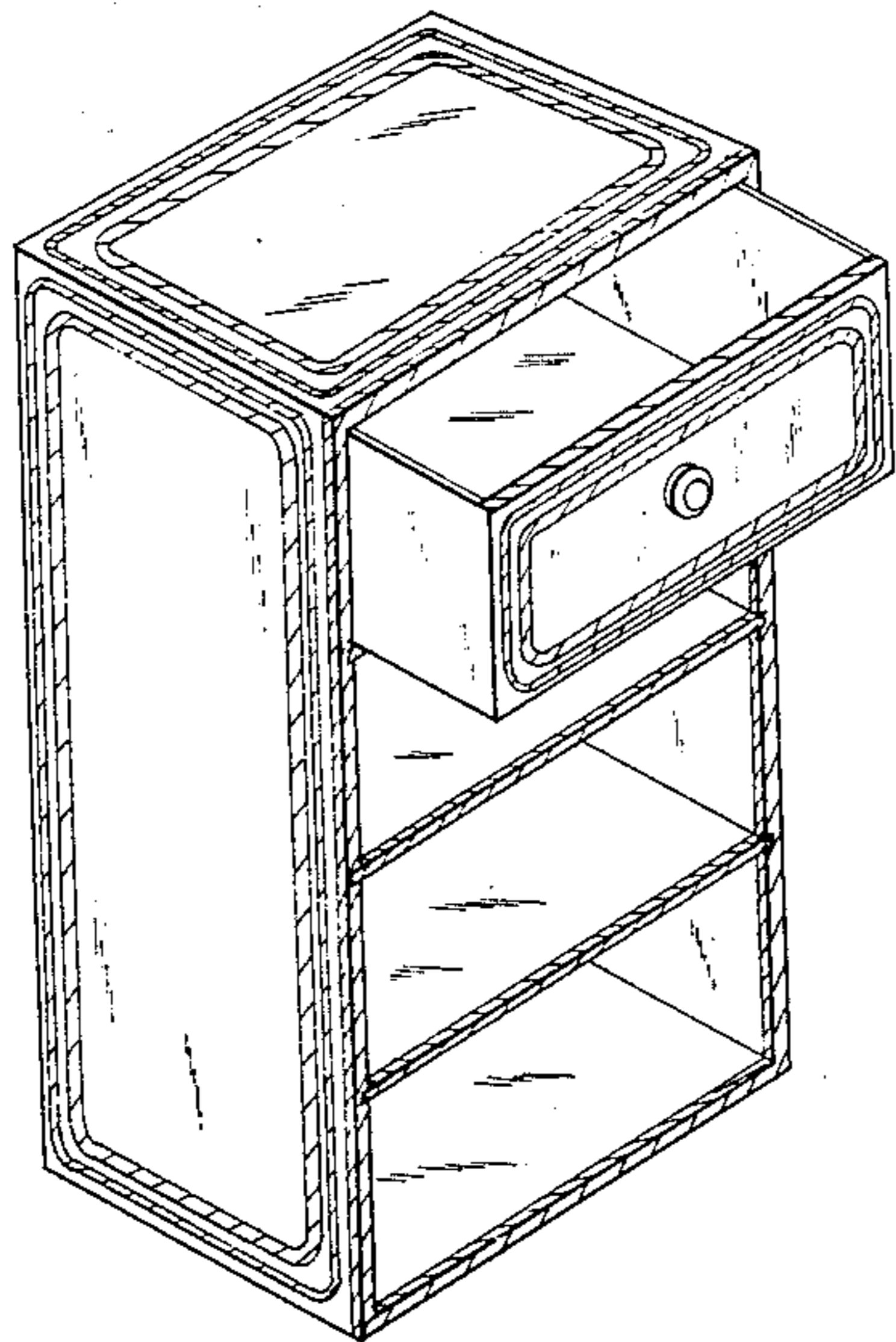
FIG. 2 is a front elevational view with all the drawers in closed position;

FIG. 3 is a left side elevational view thereof;

FIG. 4 is a right side elevational view thereof;

FIG. 5 is a top plan view thereof; and

FIG. 6 is a bottom plan view thereof.



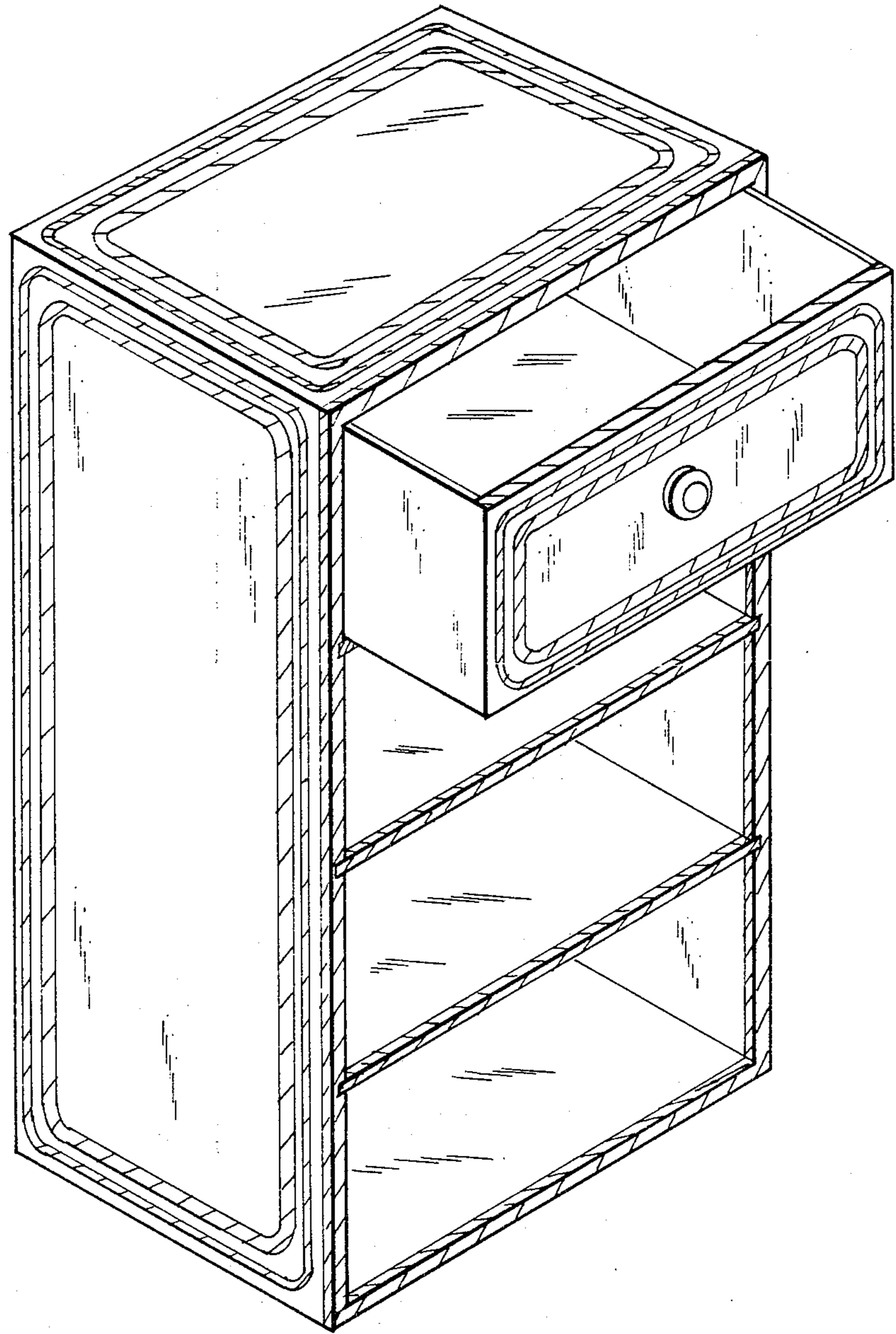


FIG. 1

FIG. 5

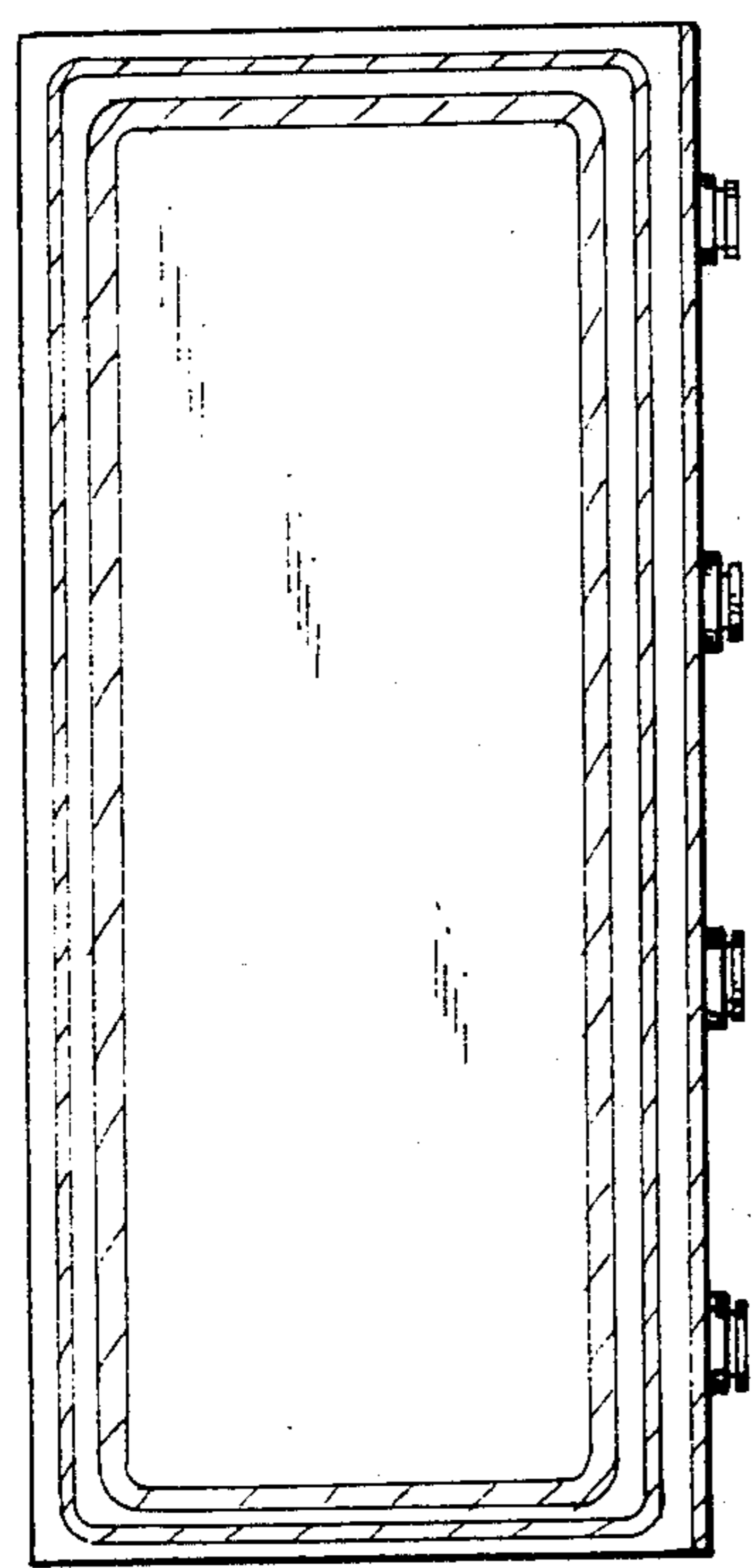
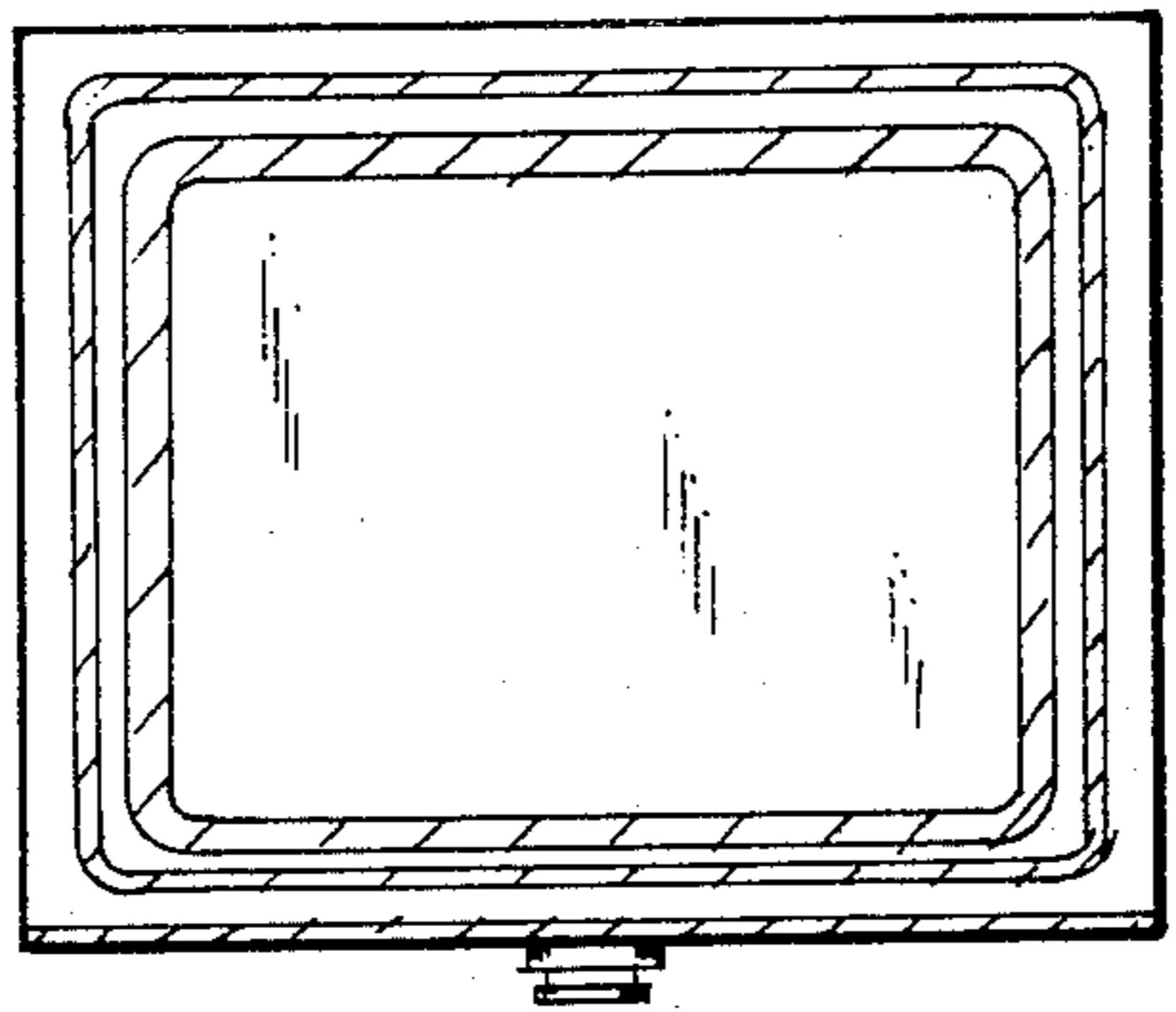


FIG. 3

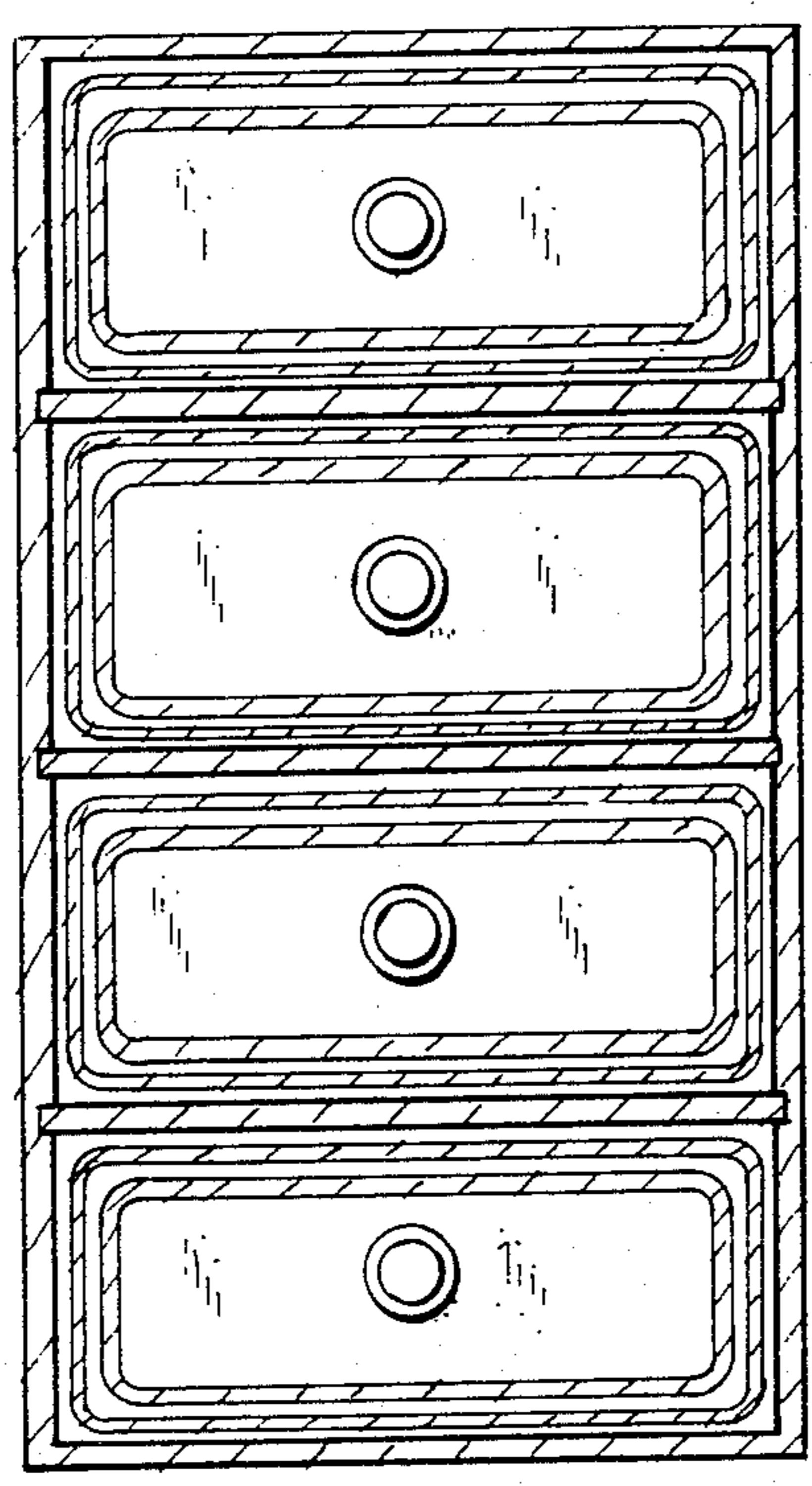


FIG. 2

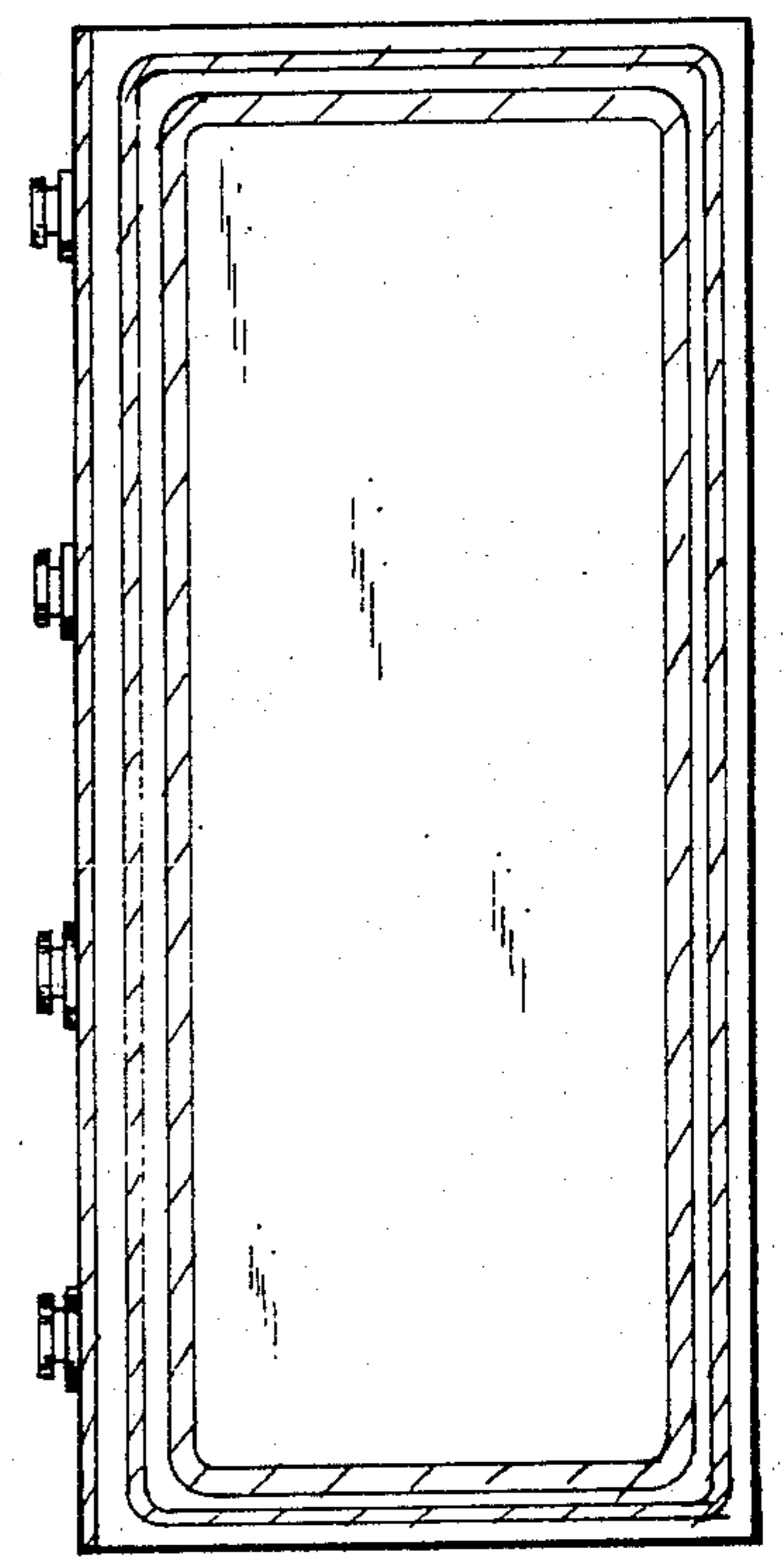


FIG 4

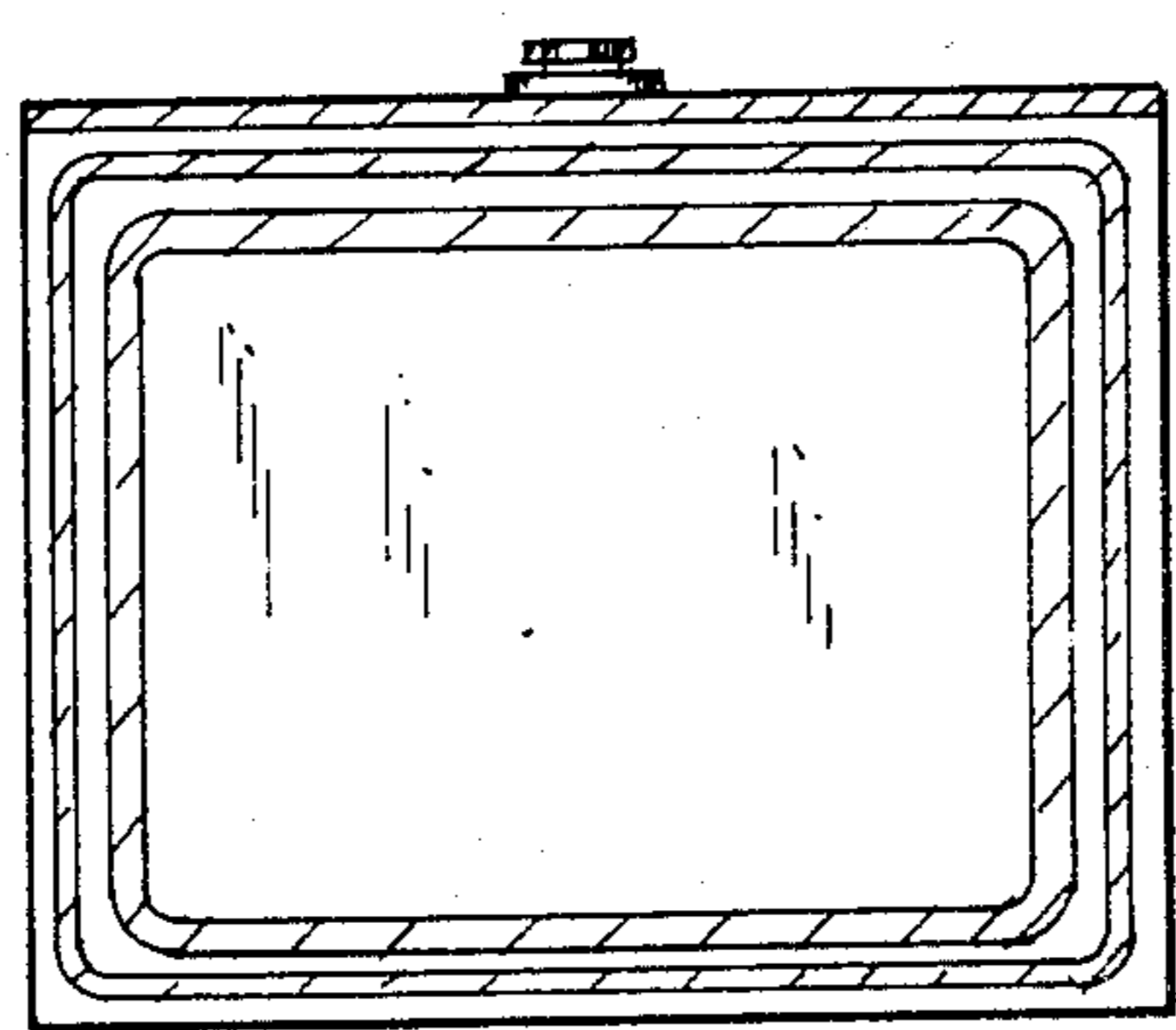


FIG. 6