

[54] MAGNETIC DISK STORAGE CASE

4,527,692 7/1985 Neuman 206/45.18

[76] Inventors: Robert A. Egly, 38 Whitewater Dr.,
Corona del Mar, Calif. 92635;
Patrick Sullivan, 1752 Brookshire
Ave., Tustin, Calif. 92680

Primary Examiner—George P. Word
Attorney, Agent, or Firm—George F. Bethel; Patience
K. Bethel

[**] Term: 14 Years

[57] CLAIM

The ornamental design for a magnetic disk storage case,
as shown and described.

[21] Appl. No.: 598,233

DESCRIPTION

[22] Filed: Apr. 9, 1984

[52] U.S. Cl. D3/35; D3/66;
D9/326

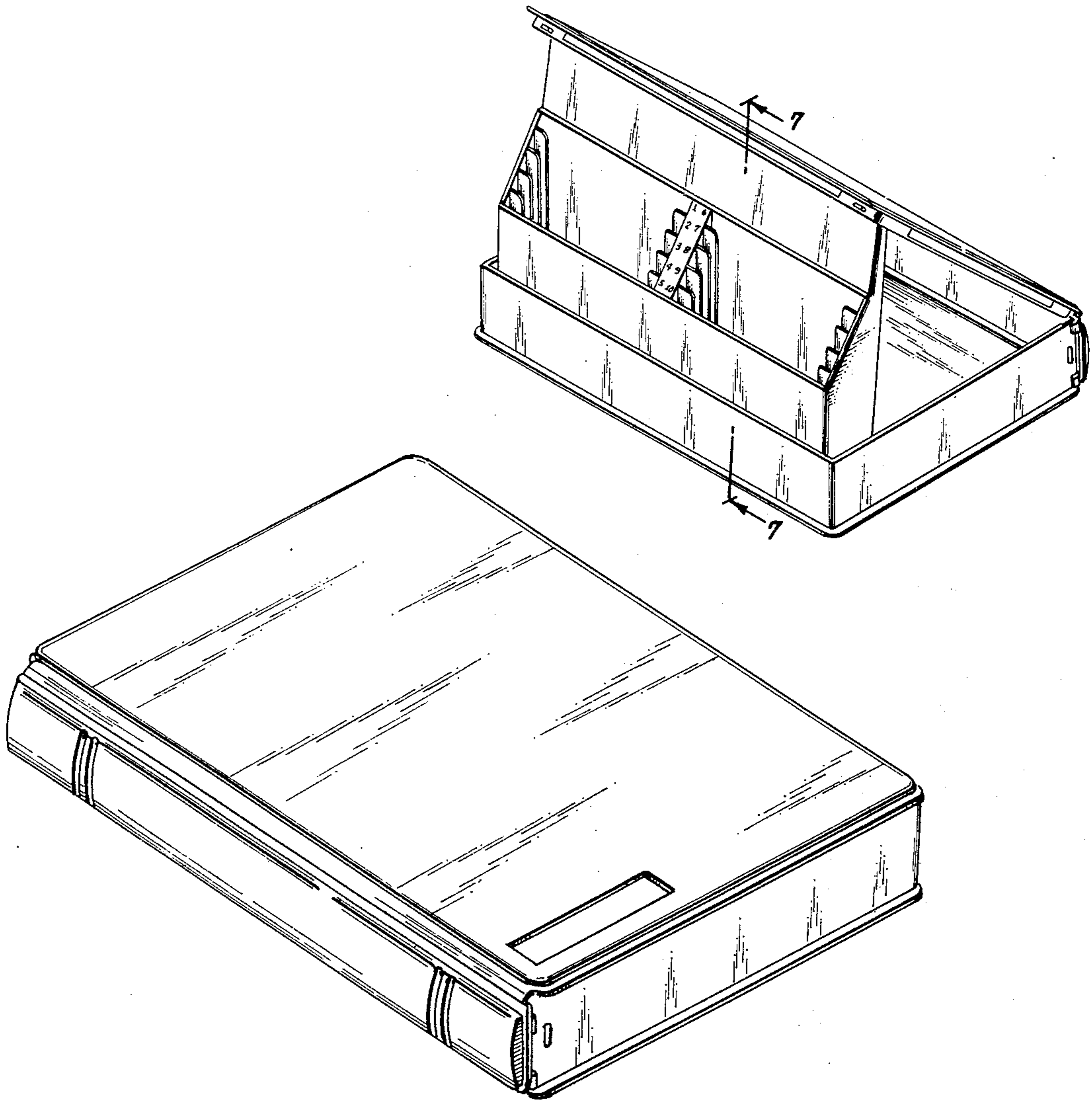
[58] Field of Search D3/30.1, 33, 35, 44,
D3/66; D9/326; 206/387, 444, 425, 472;
D19/26-28

FIG. 1 is a perspective view of a magnetic disk storage case showing our new design;
FIG. 2 is a left end elevational view of FIG. 1;
FIG. 3 is a rear elevational view of FIG. 1;
FIG. 4 is a bottom plan view thereof;
FIG. 5 is a perspective view of the magnetic disk storage case in the open position and exposed for receipt of magnetic disks;
FIG. 6 is a left side elevational view of FIG. 5; and
FIG. 7 a cross-sectional view taken along the line 7—7 of FIG. 5.

[56] References Cited

U.S. PATENT DOCUMENTS

D. 251,273	3/1979	Egly	D3/35
718,081	1/1903	Brackett	D9/326
4,225,038	9/1980	Egly	206/45.18



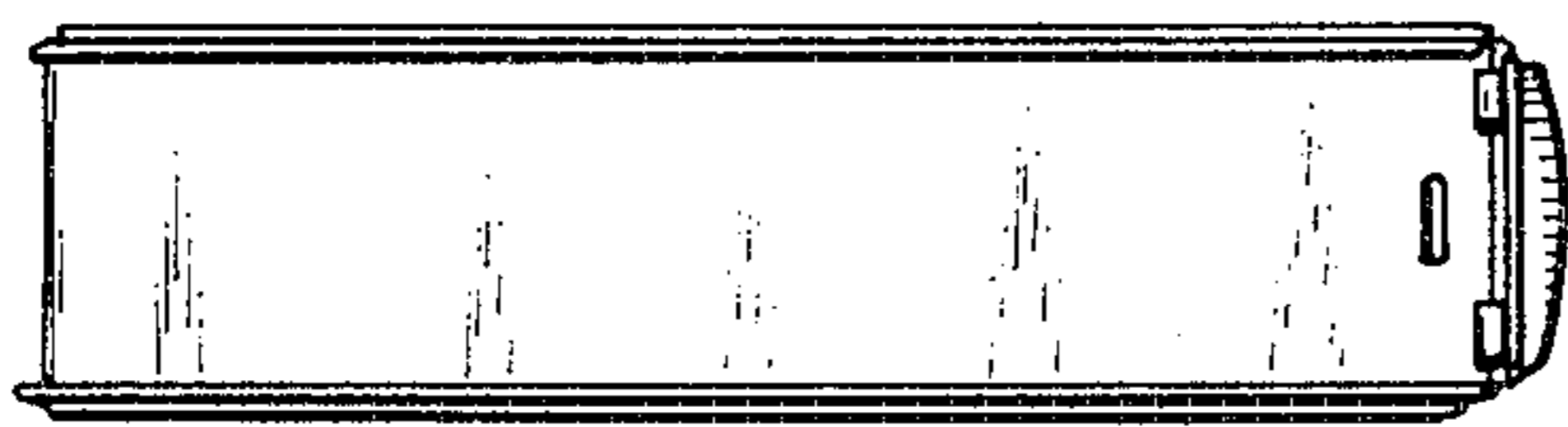
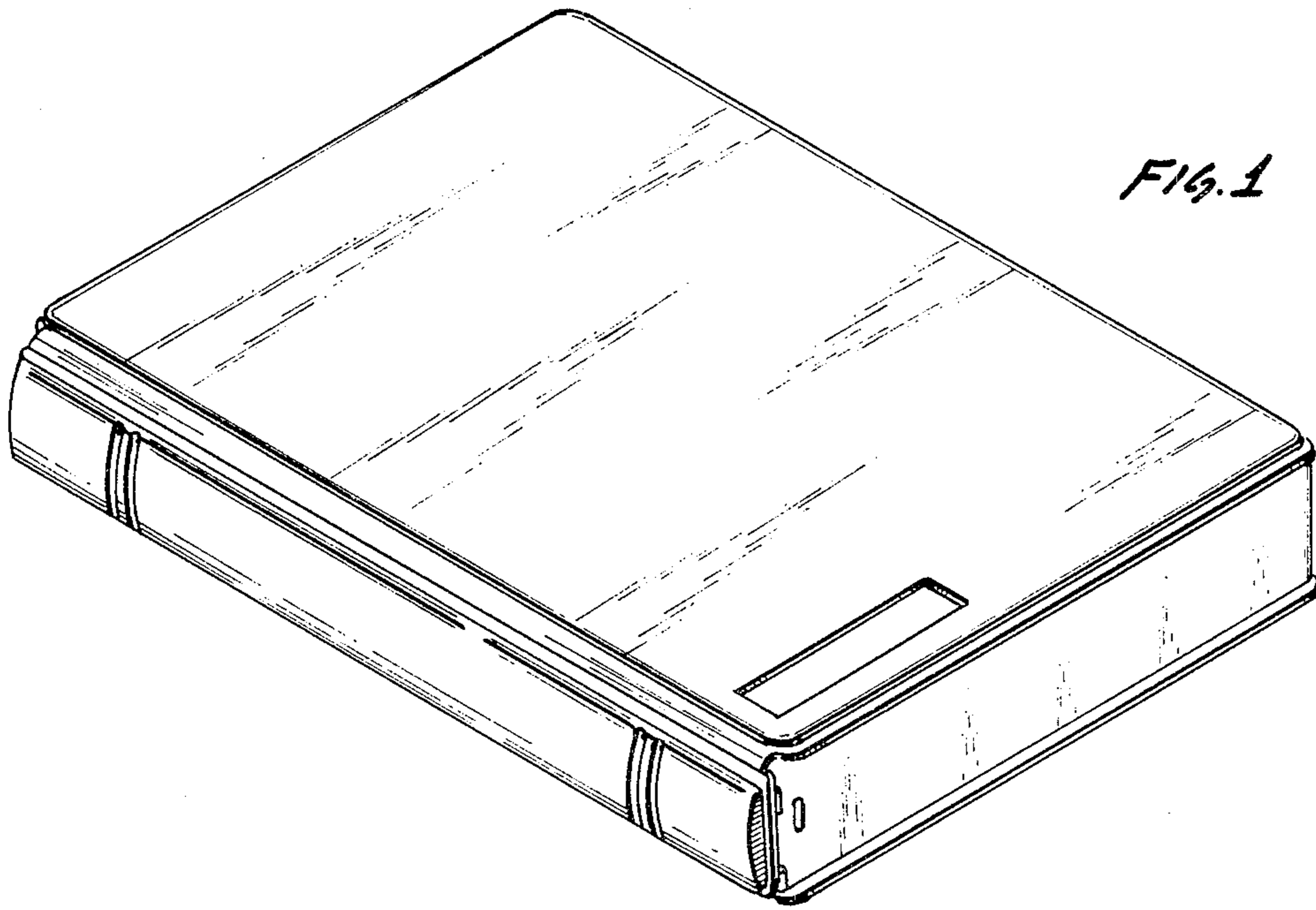


FIG. 3

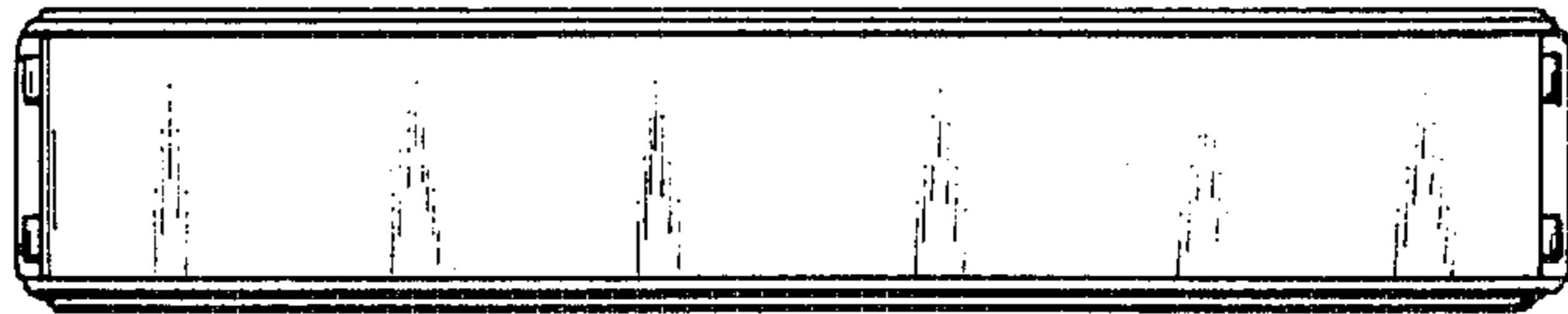


FIG. 4

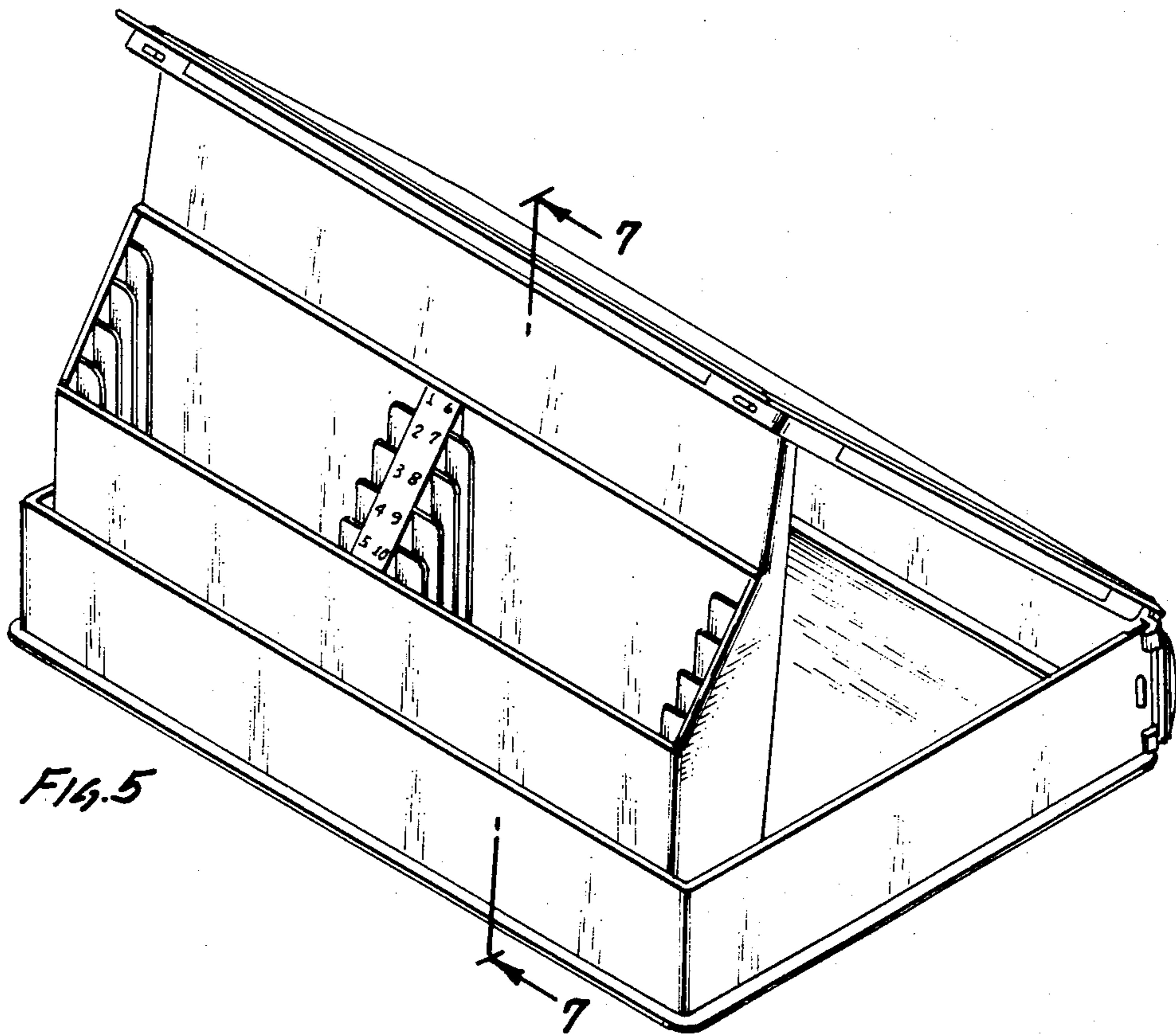
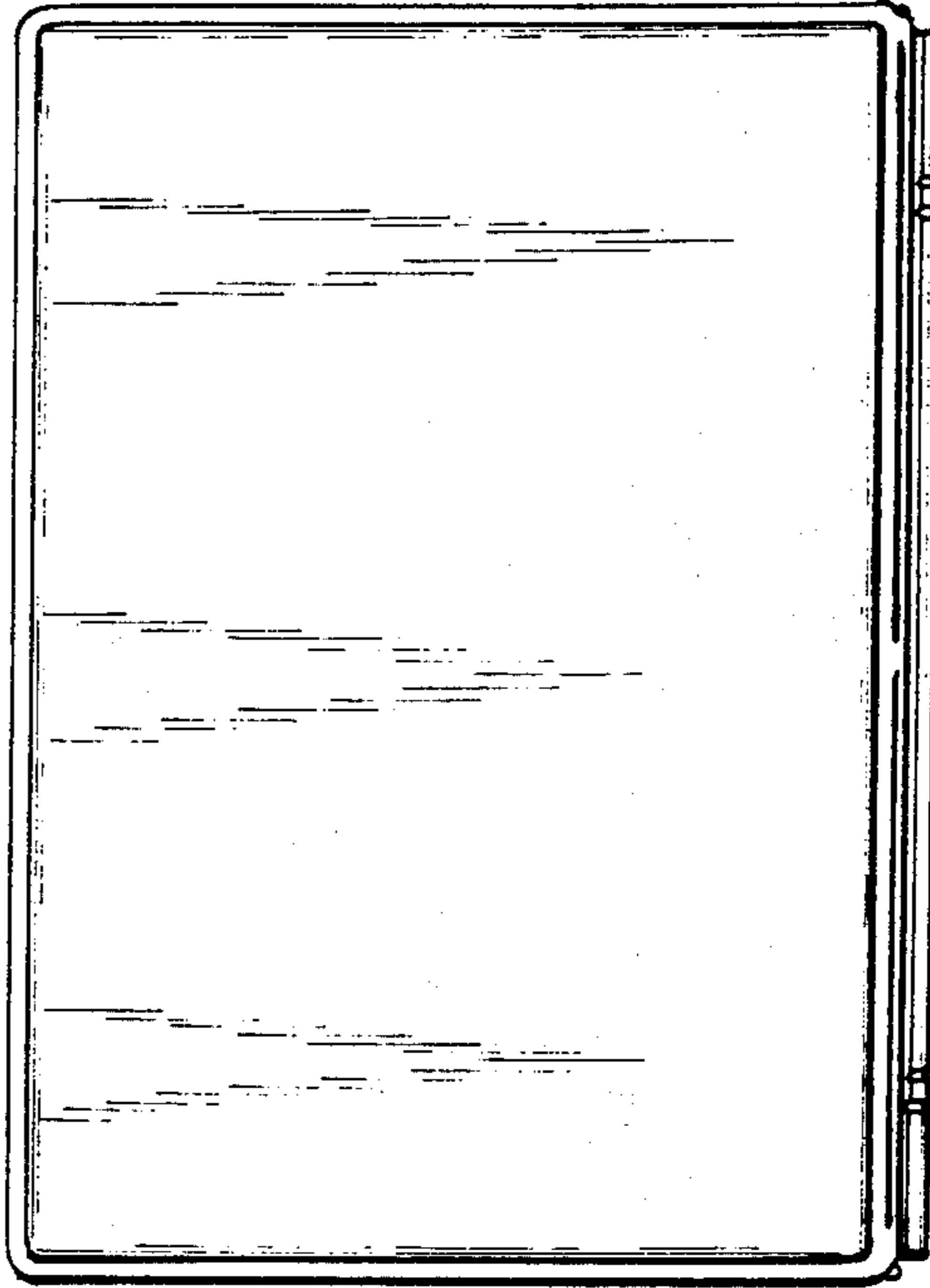


FIG. 5

FIG. 6

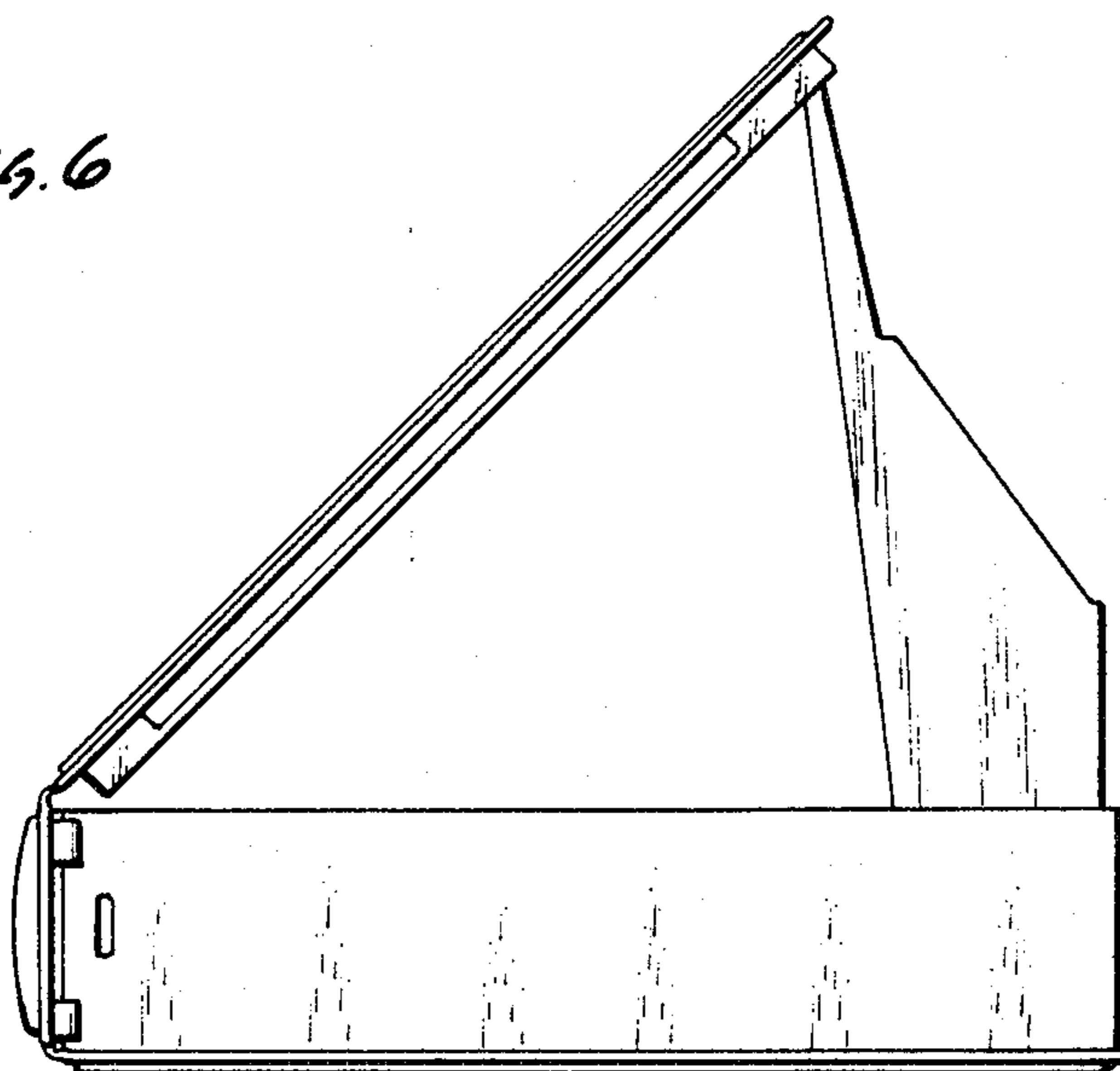


FIG. 7

