

[54] DISKETTE STORAGE CONTAINER FOR FLOPPY DISKETTES

D. 243,576 3/1977 Overman D3/78
D. 267,911 2/1983 Long et al. D19/76
D. 281,464 11/1985 Drake D3/78

[75] Inventors: Jerry M. Long, Pleasanton; James A. Womack, Los Gatos, both of Calif.

Primary Examiner—George P. Word
Attorney, Agent, or Firm—Hamrick, Hoffman, Guillot, & Kazubowski

[73] Assignee: Innovative Concepts, Inc., San Jose, Calif.

[**] Term: 14 Years

[21] Appl. No.: 644,869

[22] Filed: Aug. 27, 1984

[52] U.S. Cl. D3/35; D3/78; D19/76

[58] Field of Search D3/35, 78; D19/76, 75, D19/90, 89; D9/241, 420, 422; 206/387, 444, 472, 425; 40/371; 312/294

[56] References Cited

U.S. PATENT DOCUMENTS

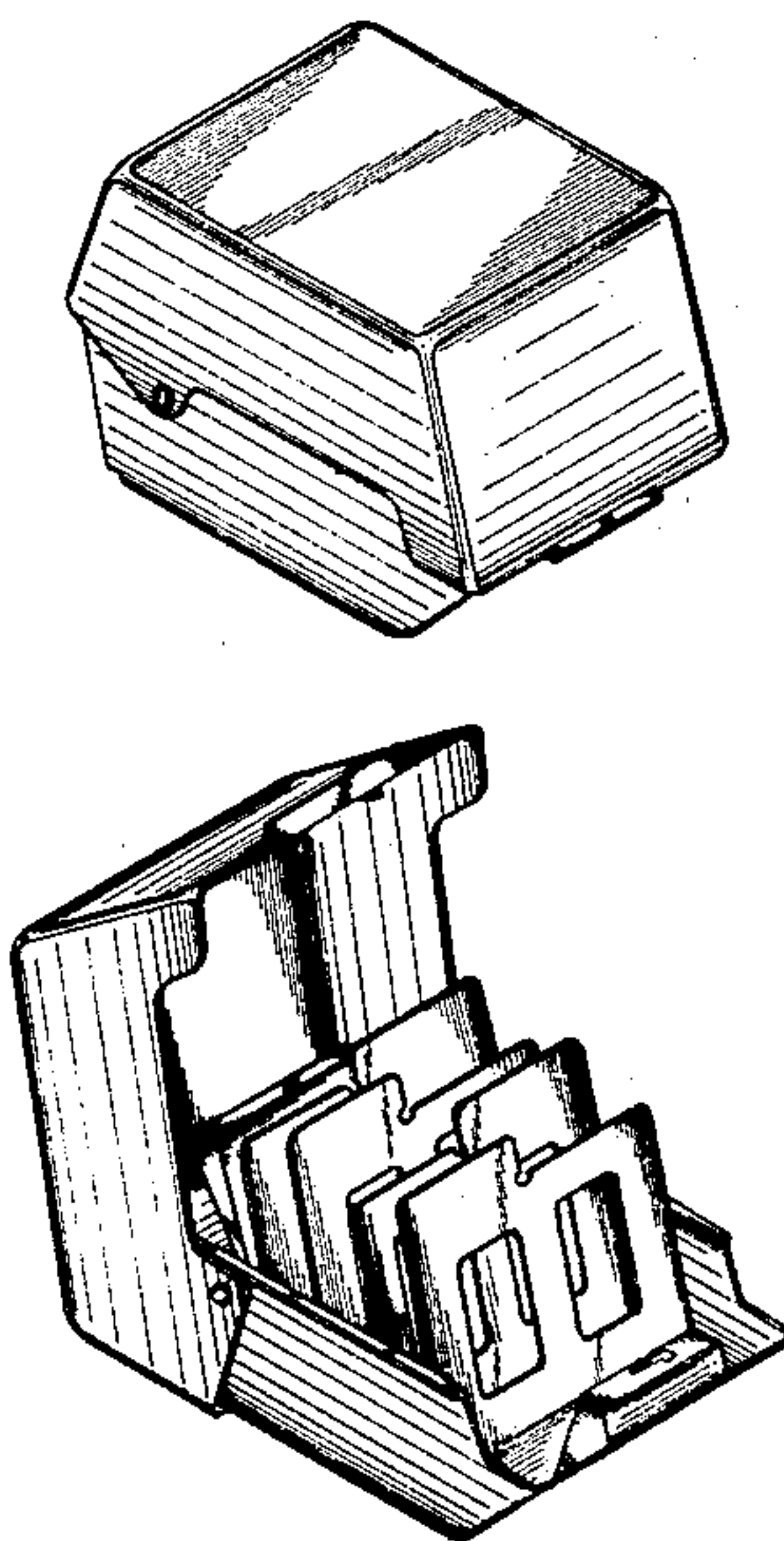
D. 170,165 8/1953 Roop D19/76
D. 202,935 11/1965 Braun D9/420

[57] CLAIM

The ornamental design for a diskette storage container for floppy diskettes, as shown and described.

DESCRIPTION

FIG. 1 is a perspective view of a diskette storage container for floppy diskettes showing our new design in closed condition;
FIG. 2 is a perspective view thereof in open condition;
FIG. 3 is a front elevational view of FIG. 1;
FIG. 4 is a right side elevational view, the left side being a mirror image thereof;
FIG. 5 is a top plan view thereof;
FIG. 6 is a rear elevational view thereof; and
FIG. 7 is a bottom plan view thereof.



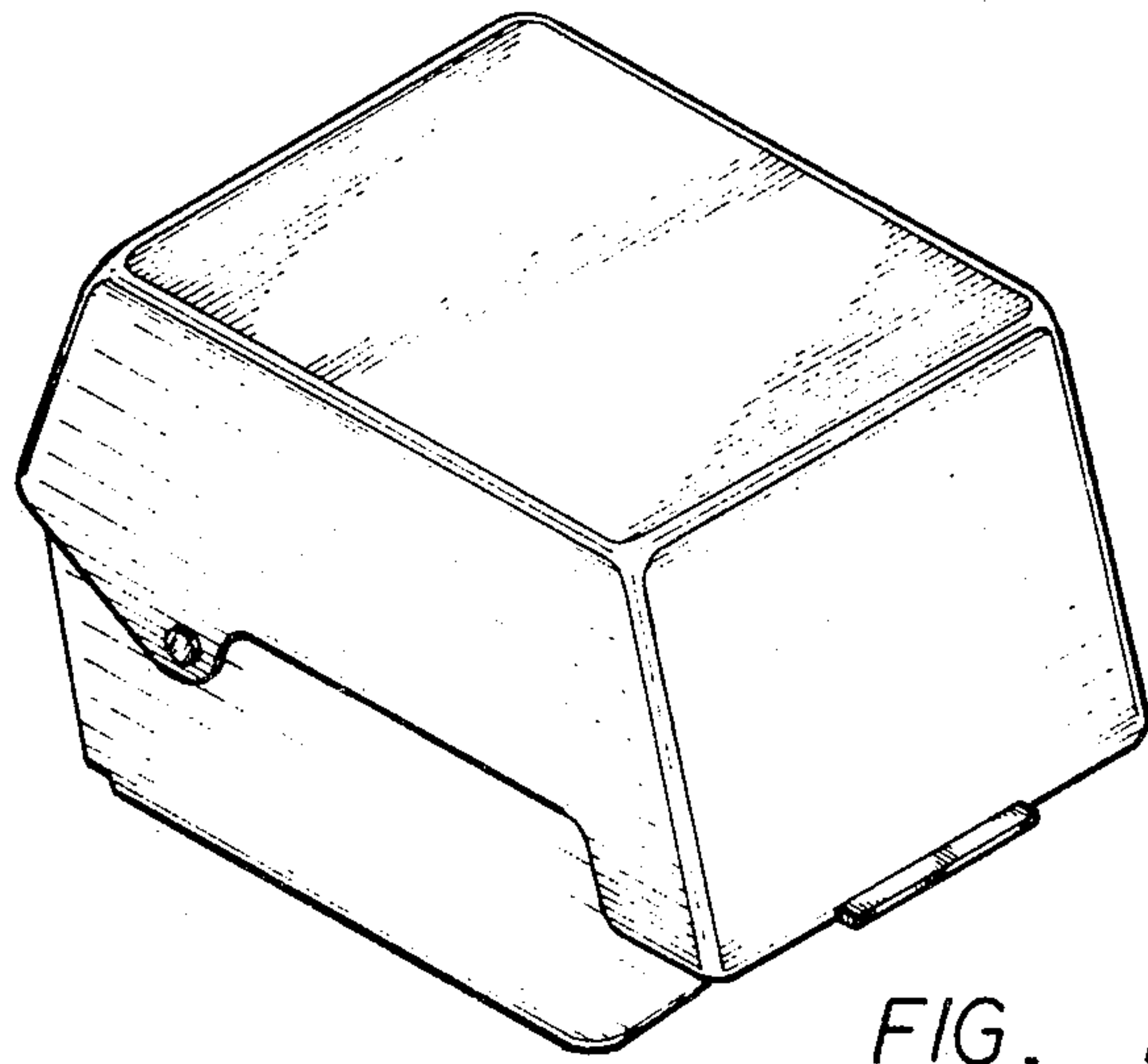


FIG. 1

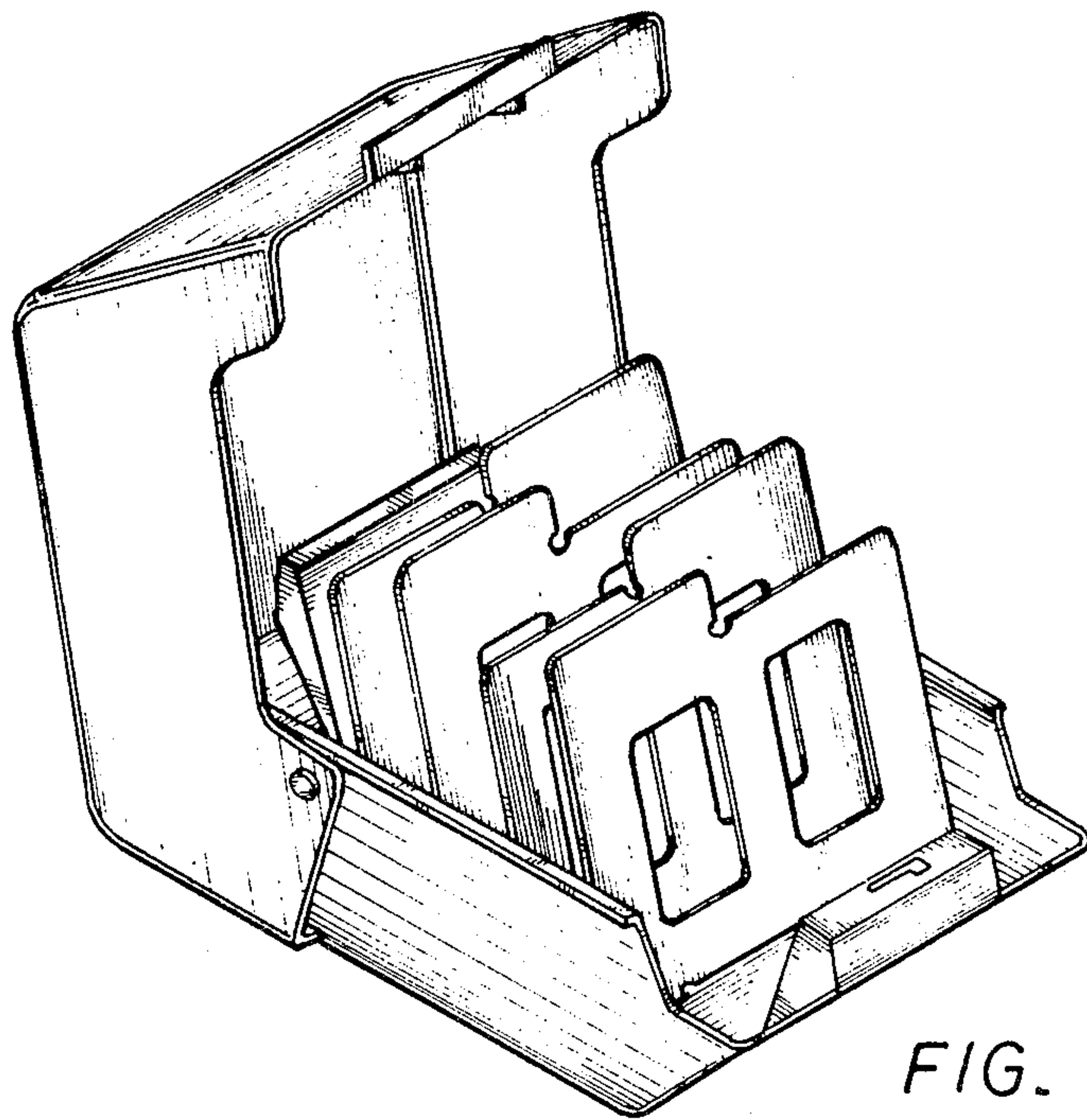


FIG. 2

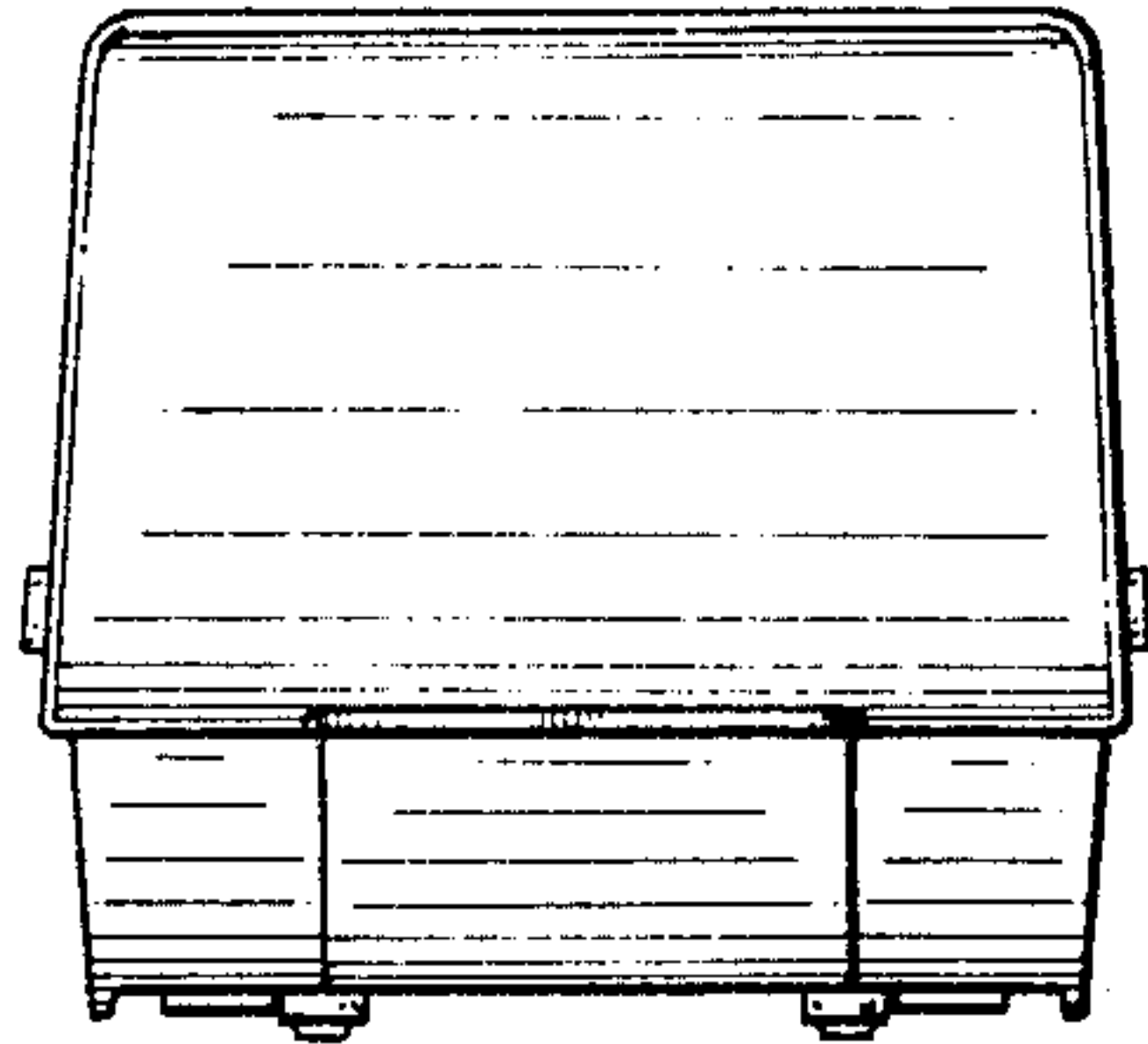


FIG. 3

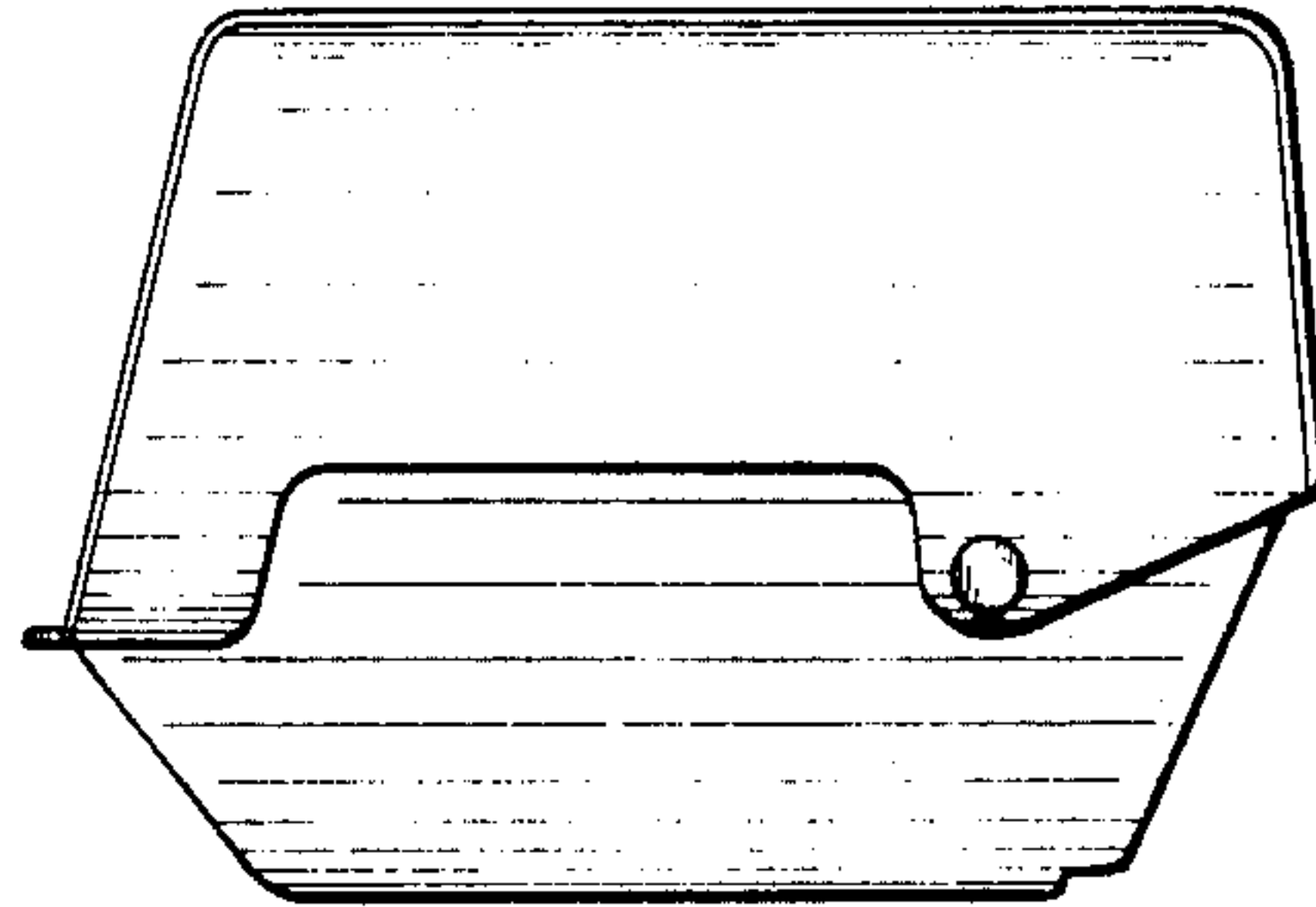


FIG. 4

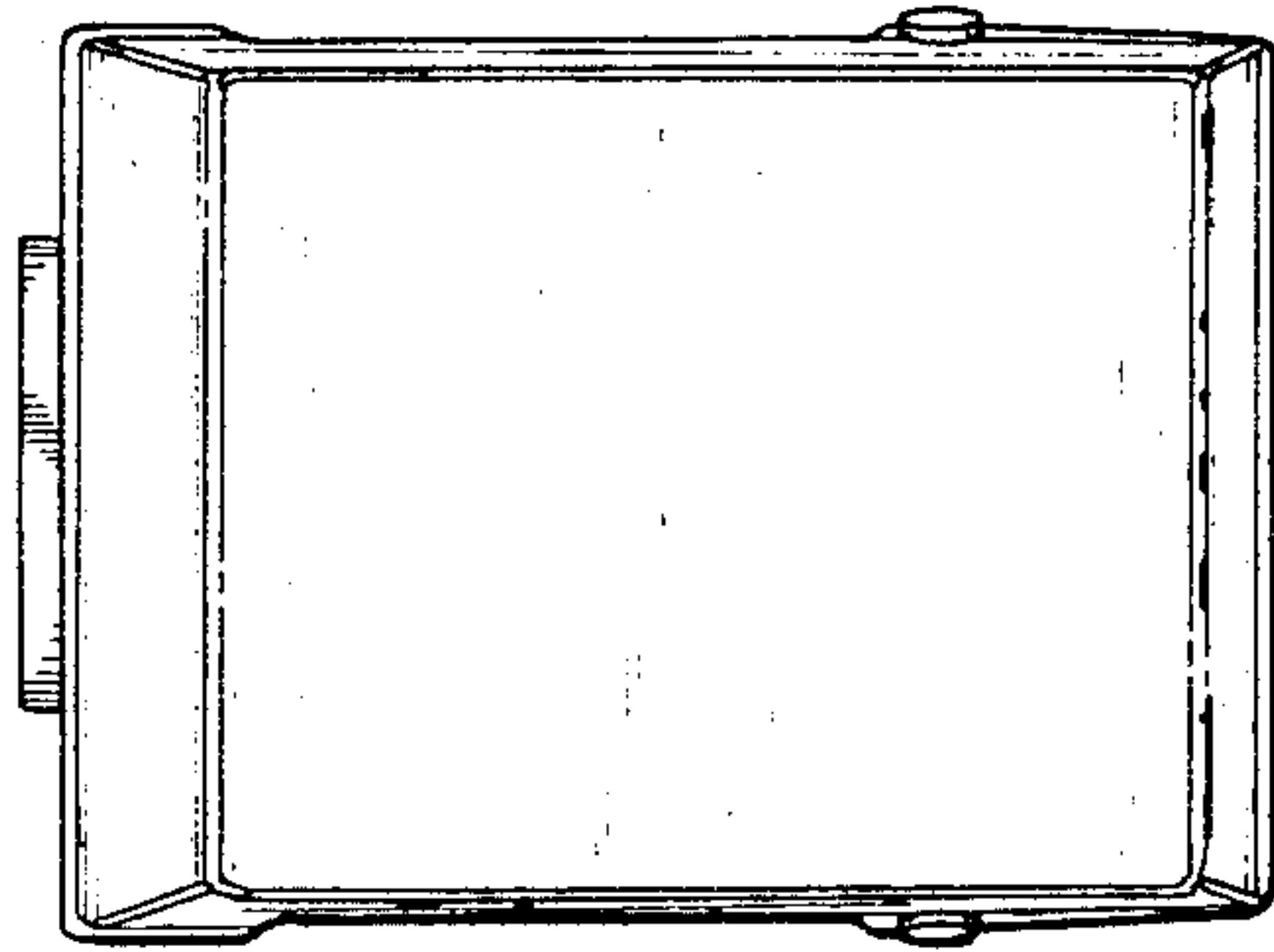


FIG. 5

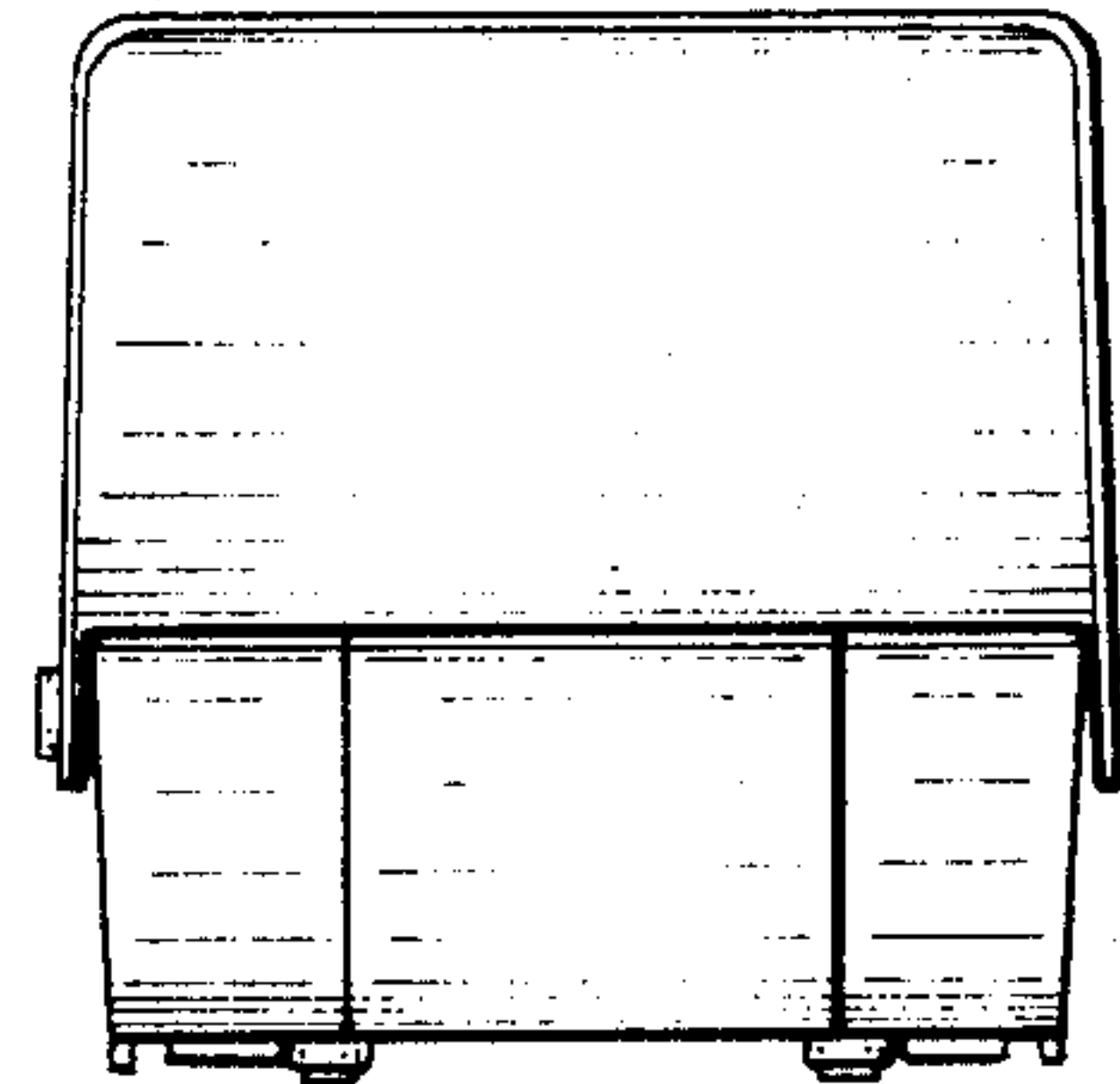


FIG. 6

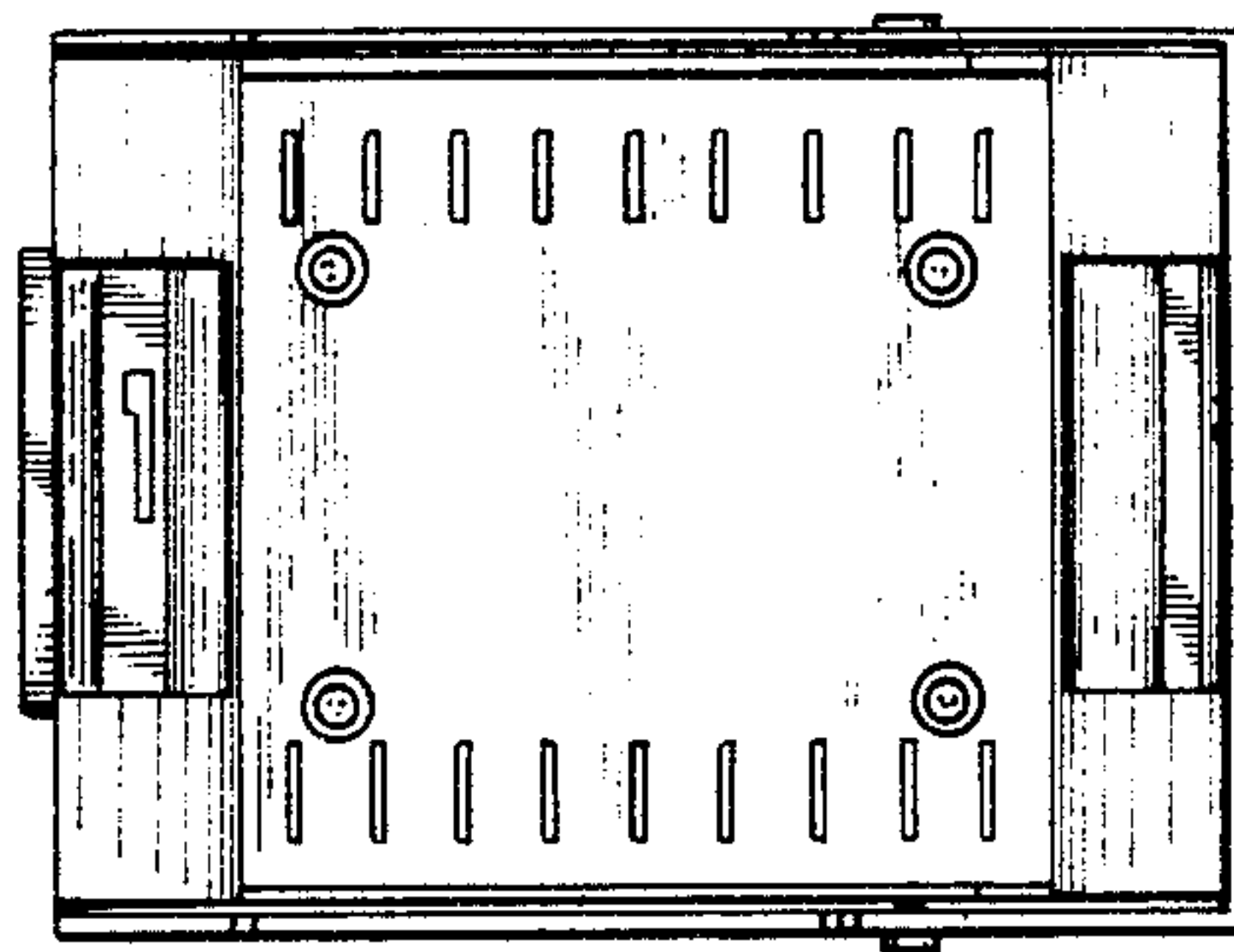


FIG. 7