

[54] BELT ADJUSTER

[75] Inventor: Kazumi Kasai, Namerikawa, Japan

[73] Assignee: Nippon Notion Kogyo Co. Ltd., Tokyo, Japan

[\*\*] Term: 14 Years

[21] Appl. No.: 601,157

[22] Filed: Apr. 17, 1984

[30] Foreign Application Priority Data

Oct. 20, 1983 [JP] Japan ..... 58-45470

[52] U.S. Cl. .... D11/218

[58] Field of Search ..... D2/380, 381, 384, 385, D2/393, 394, 405, 406, 408-410, 414, 417, 418, 420-424, 426, 427, 429, 431, 434, 437, 441-448; 24/163 K, 169, 171, 176, 180, 186, 194, 196-198, 200, 308-310, 312

[56] References Cited

U.S. PATENT DOCUMENTS

- D. 121,618 7/1940 Reiter ..... D2/447
- 341,127 5/1886 Bretzfeld ..... D2/445 X
- 1,147,955 7/1915 Langhammer ..... 24/198
- 1,679,306 7/1928 Hirsh ..... 24/169
- 1,934,951 11/1933 Schaefer ..... D2/447 X

- 2,084,412 6/1937 Schaefer ..... 24/198 X
- 3,591,900 7/1971 Brown ..... 24/196

FOREIGN PATENT DOCUMENTS

- 1094285 12/1954 France ..... 24/194

Primary Examiner—Bernard Ansher  
Assistant Examiner—Theodore M. Shooman  
Attorney, Agent, or Firm—Hill, Van Santen, Steadman & Simpson

[57] CLAIM

The ornamental design for a belt adjuster, as shown and described.

DESCRIPTION

FIG. 1 is a front elevational view of a belt adjuster showing my new design;  
FIG. 2 is a rear elevational view thereof;  
FIG. 3 is a right side elevational view thereof, the left side being a mirror image;  
FIG. 4 is a top plan view thereof, the bottom being a mirror image;  
FIG. 5 is a sectional view taken along line 5—5 of FIG. 1;  
FIG. 6 is a sectional view taken along line 6—6 of FIG. 1; and  
FIG. 7 is a front and bottom isometric view thereof.

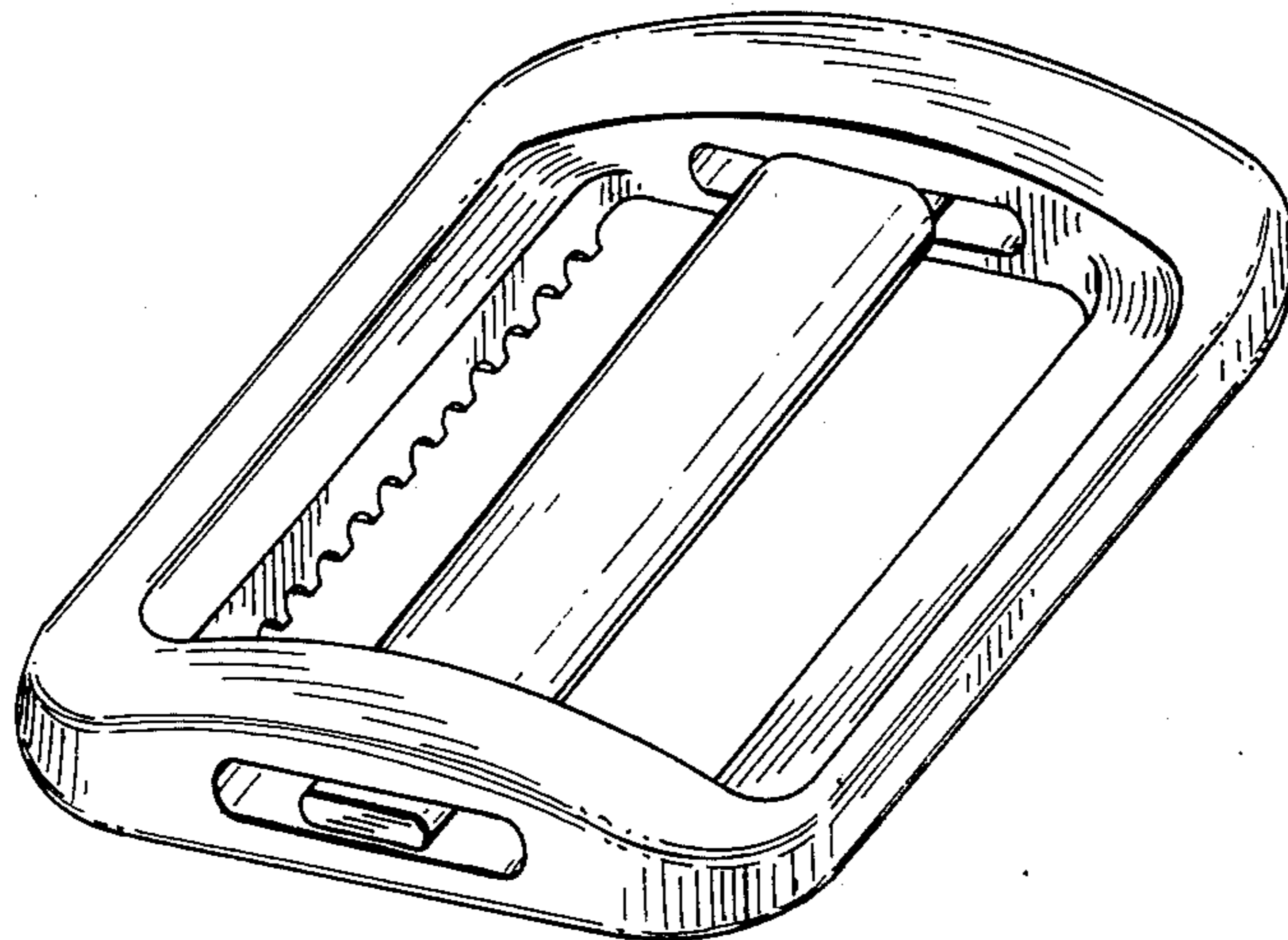


FIG. 2

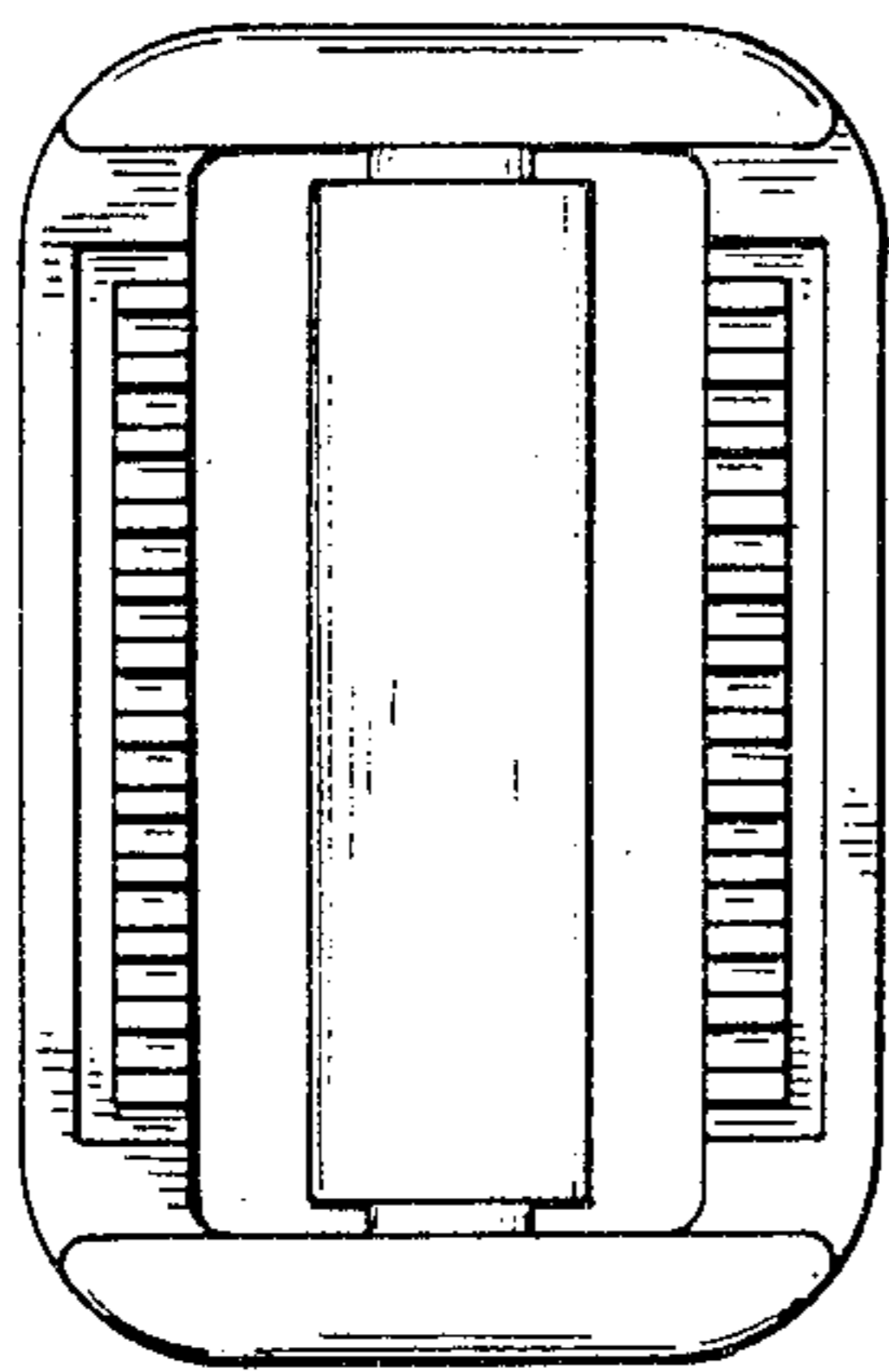


FIG. 4



FIG. 1

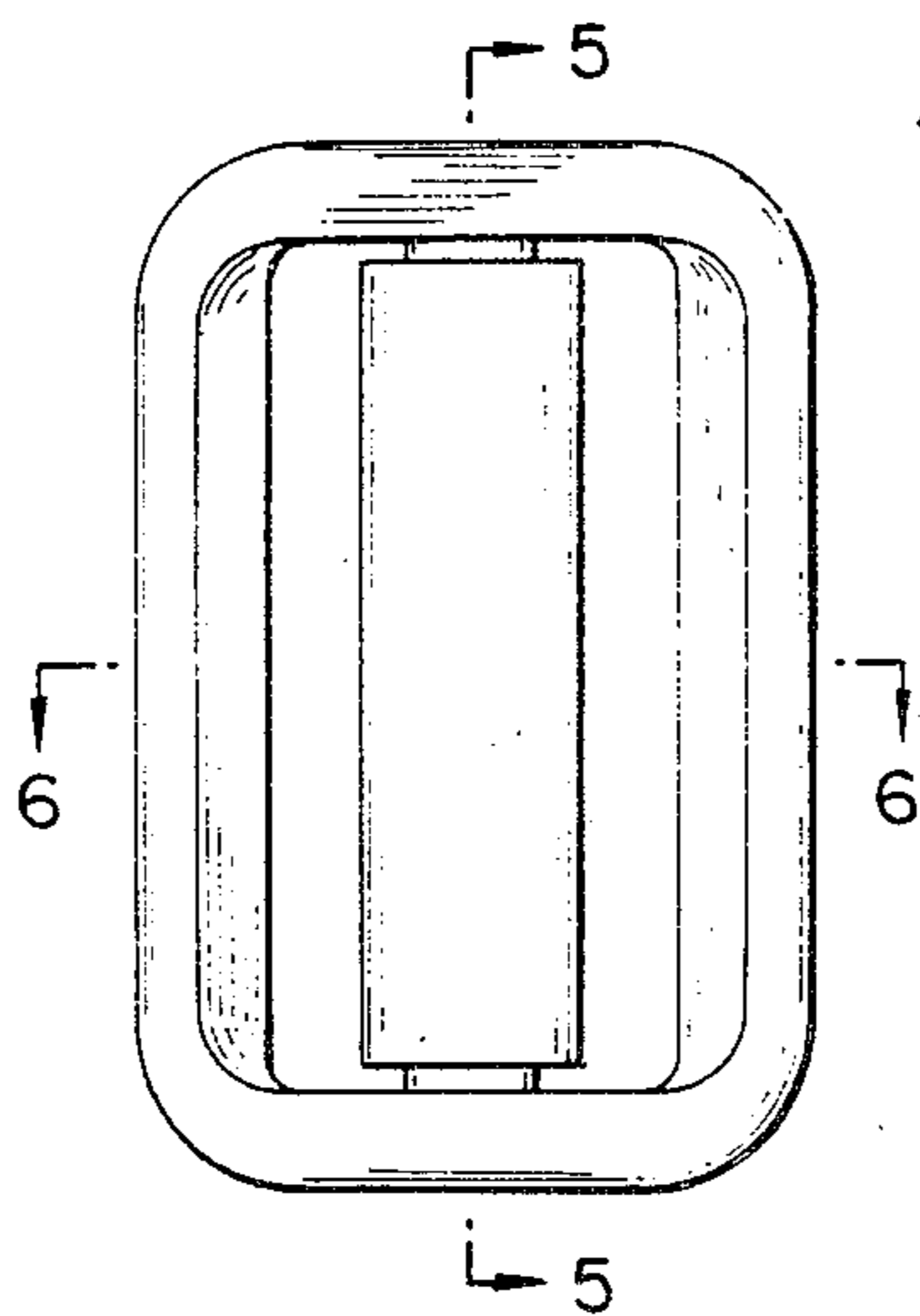


FIG. 3

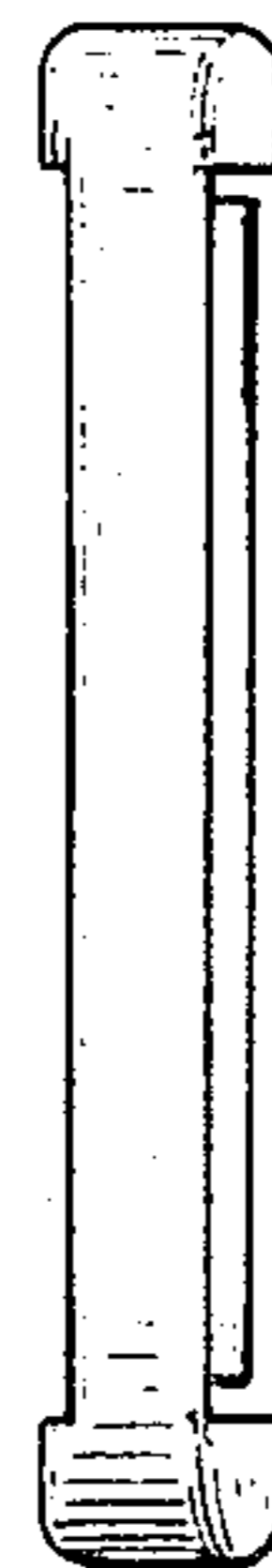


FIG. 5



FIG. 6



FIG. 7

