

[54] COMBINATION FLASHLIGHT AND TOY TRUCK

[75] Inventor: Gary S. Silverman, Novi, Mich.

[73] Assignee: Robert H. Beck, Plymouth, Minn.

[**] Term: 14 Years

[21] Appl. No.: 606,625

[22] Filed: May 3, 1984

[52] U.S. Cl. D26/47; D21/140; D26/97

[58] Field of Search D26/37-50; 362/157, 158, 183-204, 806; D21/140; D26/97

[56] References Cited

U.S. PATENT DOCUMENTS

- D. 255,612 6/1980 Wong D26/48
- D. 262,391 12/1981 Kanaoki D21/140

- D. 274,637 7/1984 Terui et al. D21/140
- 2,964,772 11/1954 Gelardin 362/189

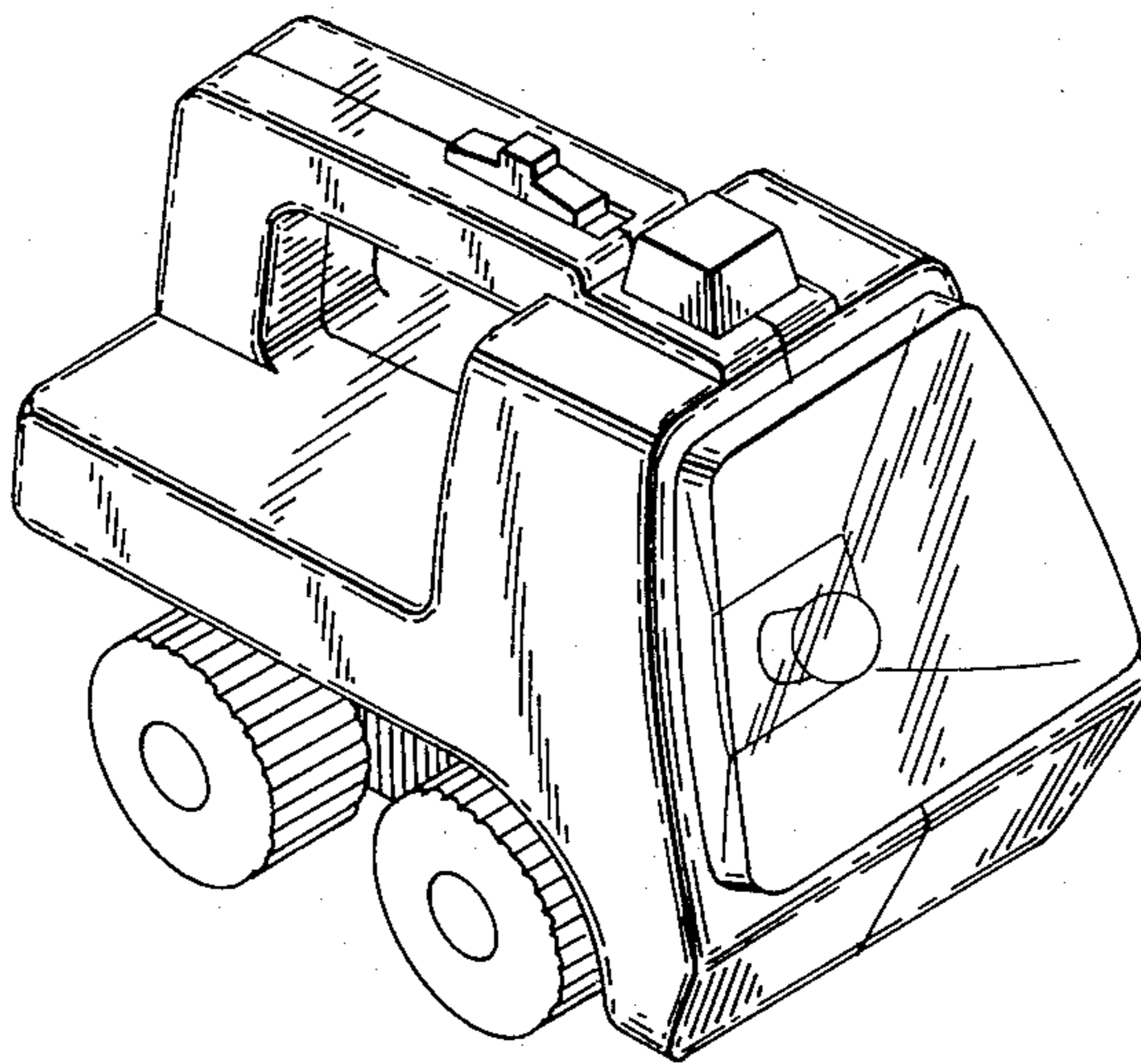
Primary Examiner—Susan J. Lucas
Attorney, Agent, or Firm—William L. Huebsch

[57] CLAIM

The ornamental design for a combination flashlight and toy truck, as shown and described.

DESCRIPTION

FIG. 1 is a top, front left side perspective view of a combination flashlight and toy truck showing my new design,
 FIG. 2 is a right side elevational view thereof, the left side being a mirror image;
 FIG. 3 is a top plan view thereof;
 FIG. 4 is a front elevational view thereof;
 FIG. 5 is a rear elevational view thereof; and
 FIG. 6 is a bottom plan view thereof.



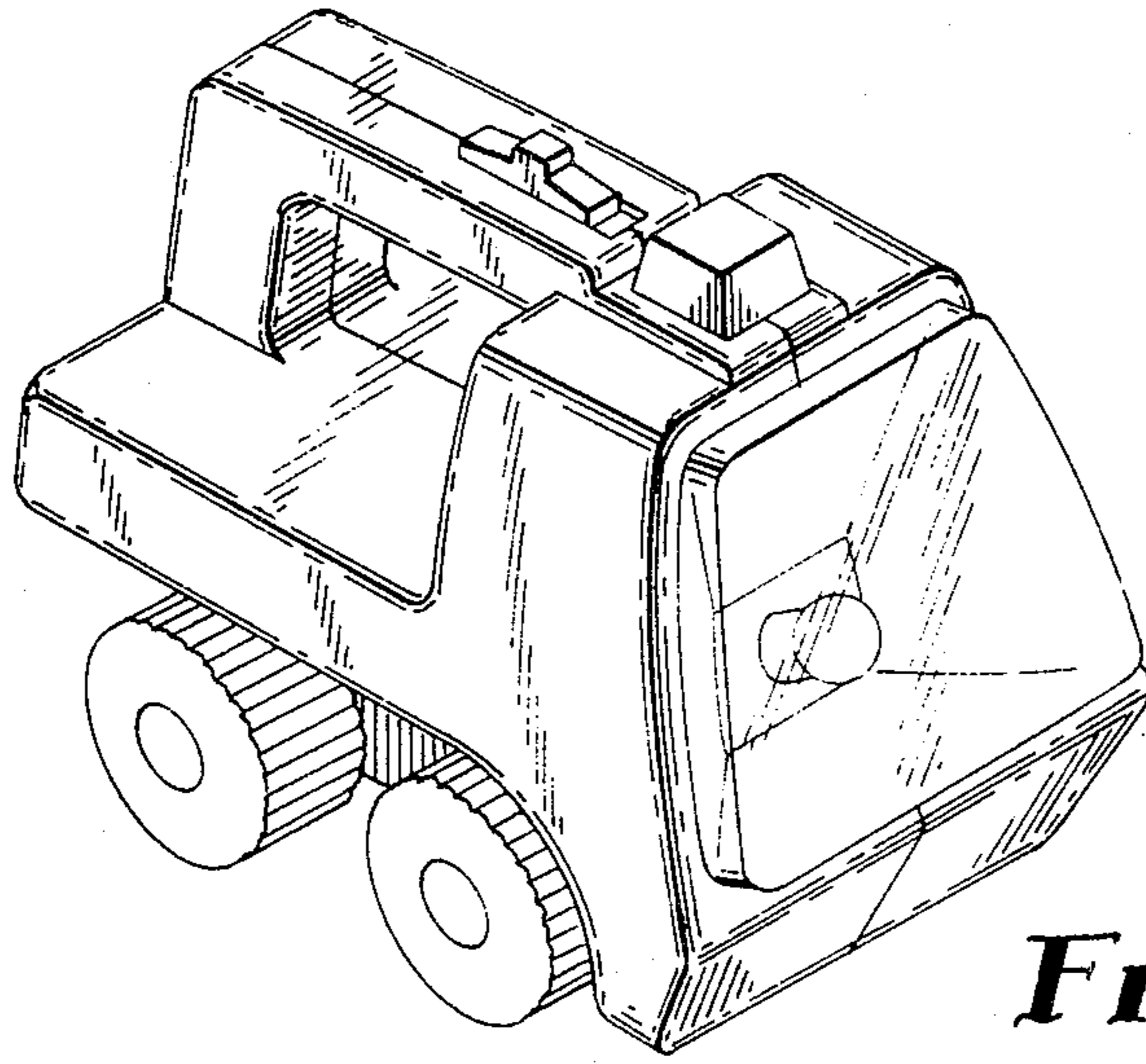


FIG. 1

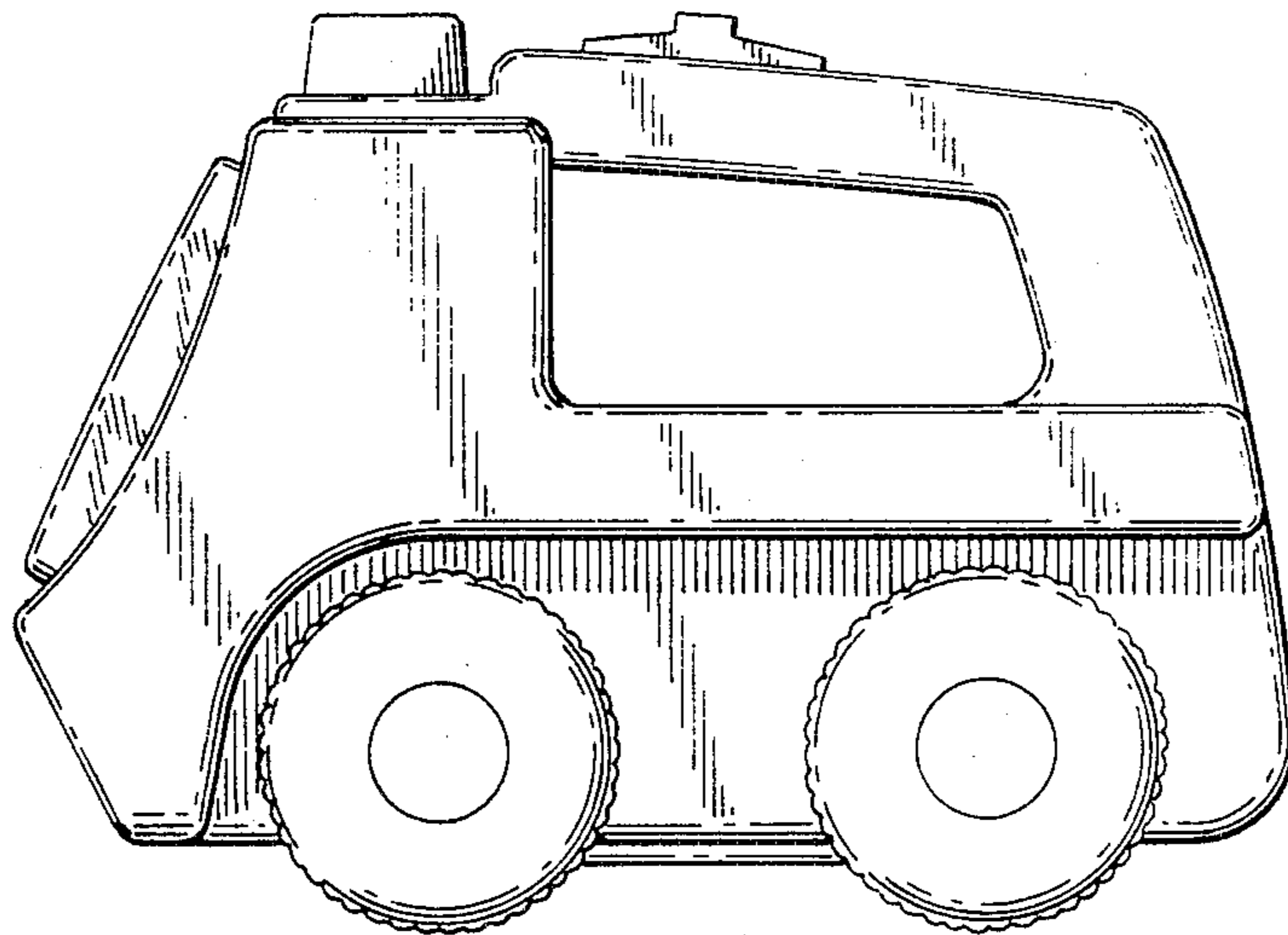


FIG. 2

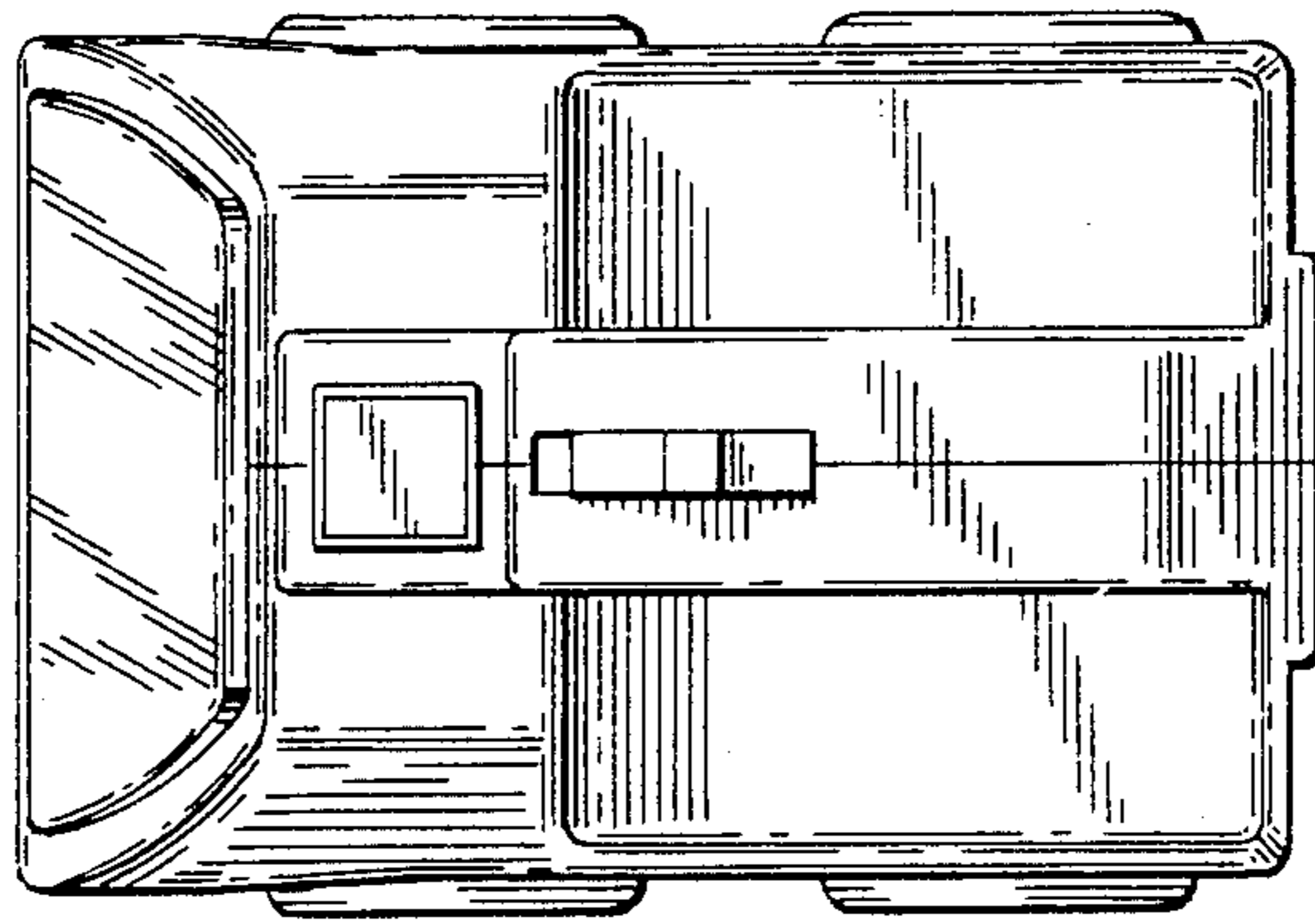


FIG. 3

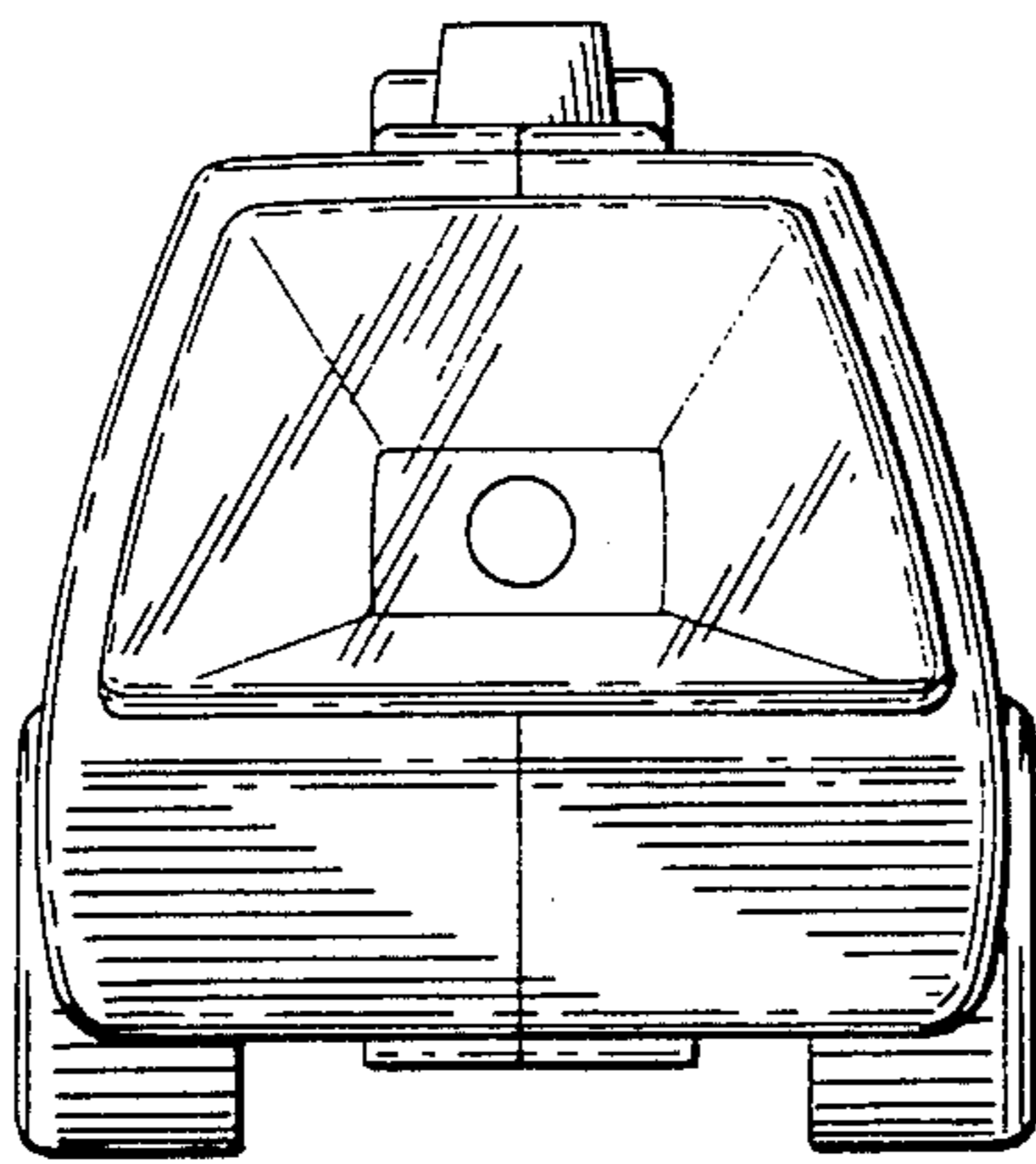


FIG. 4

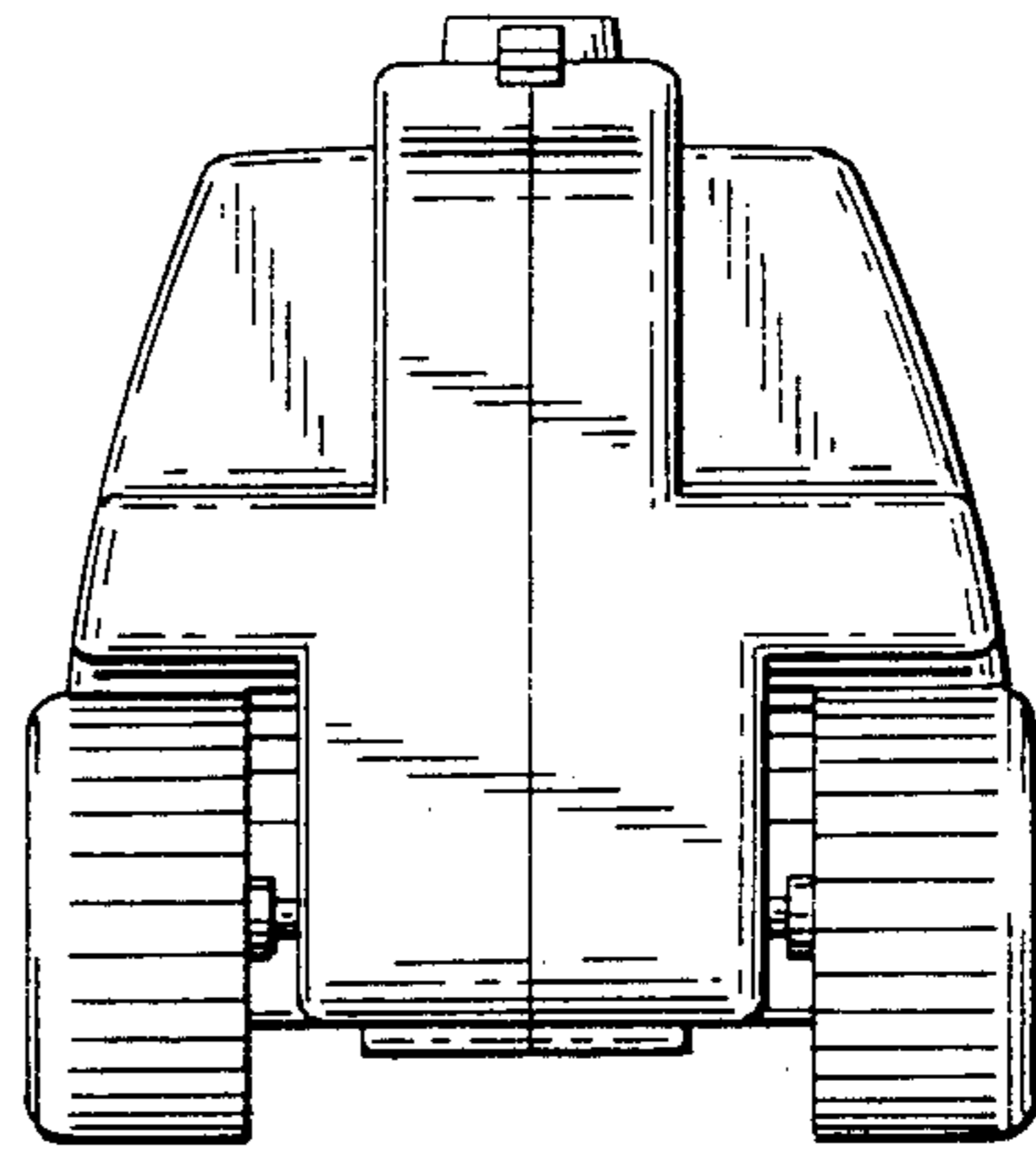


FIG. 5

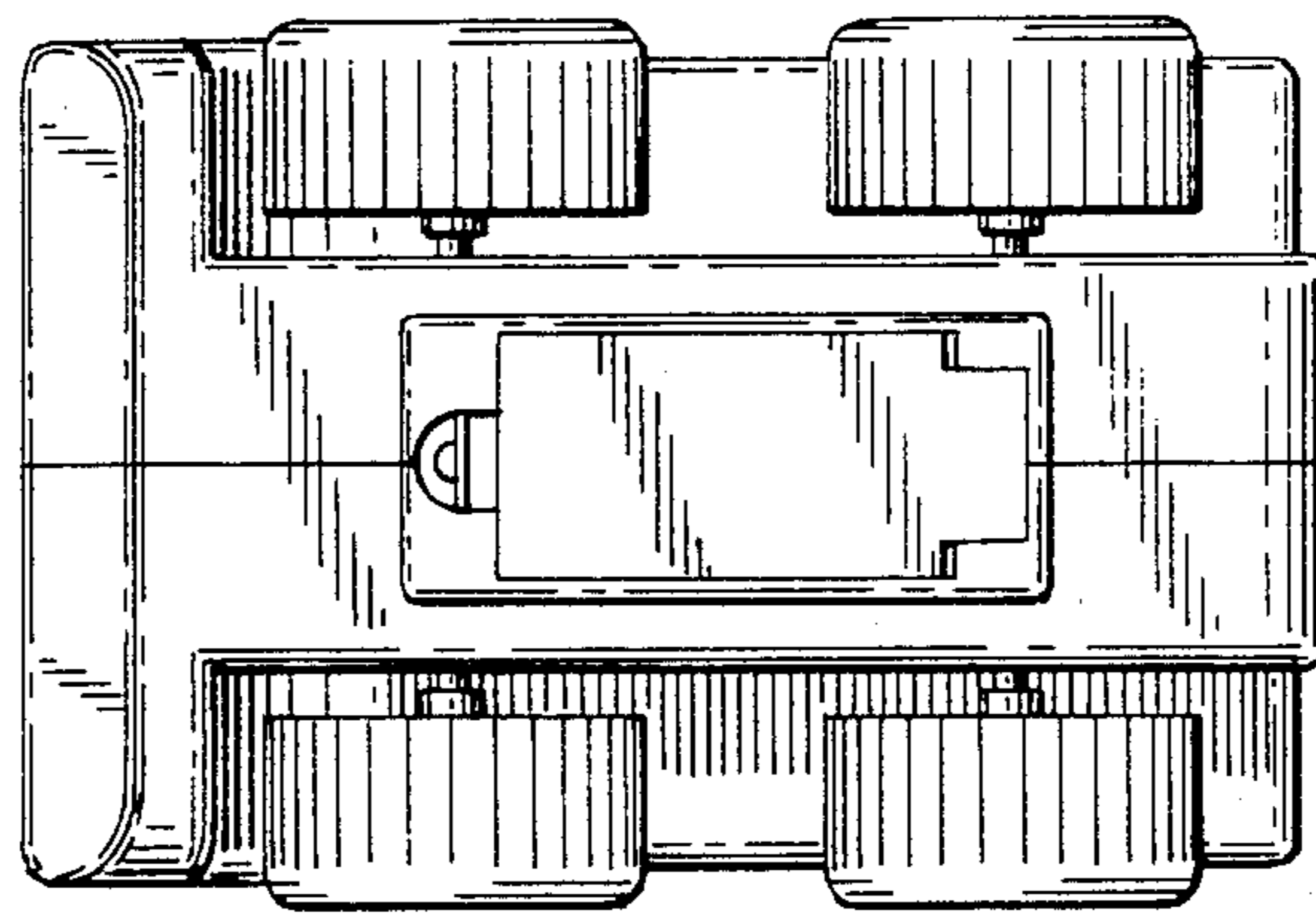


FIG. 6