

[54] UNIVERSAL IV EQUIPMENT HOLDER

[75] Inventors: Theodore J. Fick, Fox Island; David J. Fick; James E. Reder, both of Tacoma, all of Wash.

[73] Assignee: Washington Marine Products, Inc., Tacoma, Wash.

[**] Term: 14 Years

[21] Appl. No.: 580,560

[22] Filed: Feb. 15, 1984

[52] U.S. Cl. D24/29

[58] Field of Search D24/29, 1.1, 52; D6/417; 128/DIG. 6; 604/80, 65, 67, 253, 246, 245; 215/303; 248/125, 121

[56] References Cited

U.S. PATENT DOCUMENTS

- D. 260,816 9/1981 Zissimopoulos et al. D24/31
- 3,318,457 5/1967 Krasnoff 248/125 X
- 3,410,268 11/1968 Leucci 604/245 X

- 4,038,982 8/1977 Burke et al. 604/253 X
- 4,383,252 5/1983 Purcell et al. 604/246 X
- 4,493,710 1/1985 King et al. 604/253 X

Primary Examiner—A. Hugo Word
Assistant Examiner—Stella M. Reid
Attorney, Agent, or Firm—Christensen, O'Connor, Johnson & Kindness

[57] CLAIM

The ornamental design for a universal IV equipment holder, as shown and described.

DESCRIPTION

FIG. 1 is a perspective view of a universal IV equipment holder showing our new design, the IV stand and monitor units shown in broken lines are for illustrative purposes only and form no part of the claimed design. FIG. 2 is a front elevational view thereof; FIG. 3 is a right side elevational view thereof; FIG. 4 is a rear elevational view thereof; FIG. 5 is a left side elevational view thereof; FIG. 6 is a top plan view thereof; and, FIG. 7 is a bottom plan view thereof.

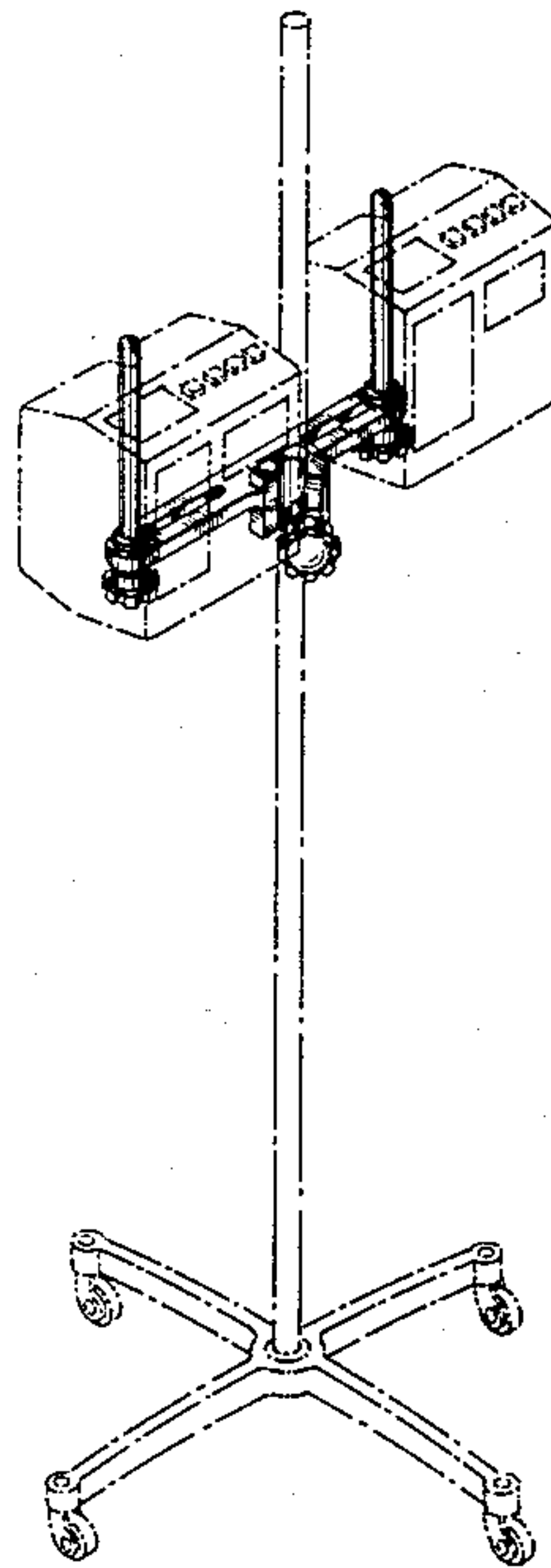
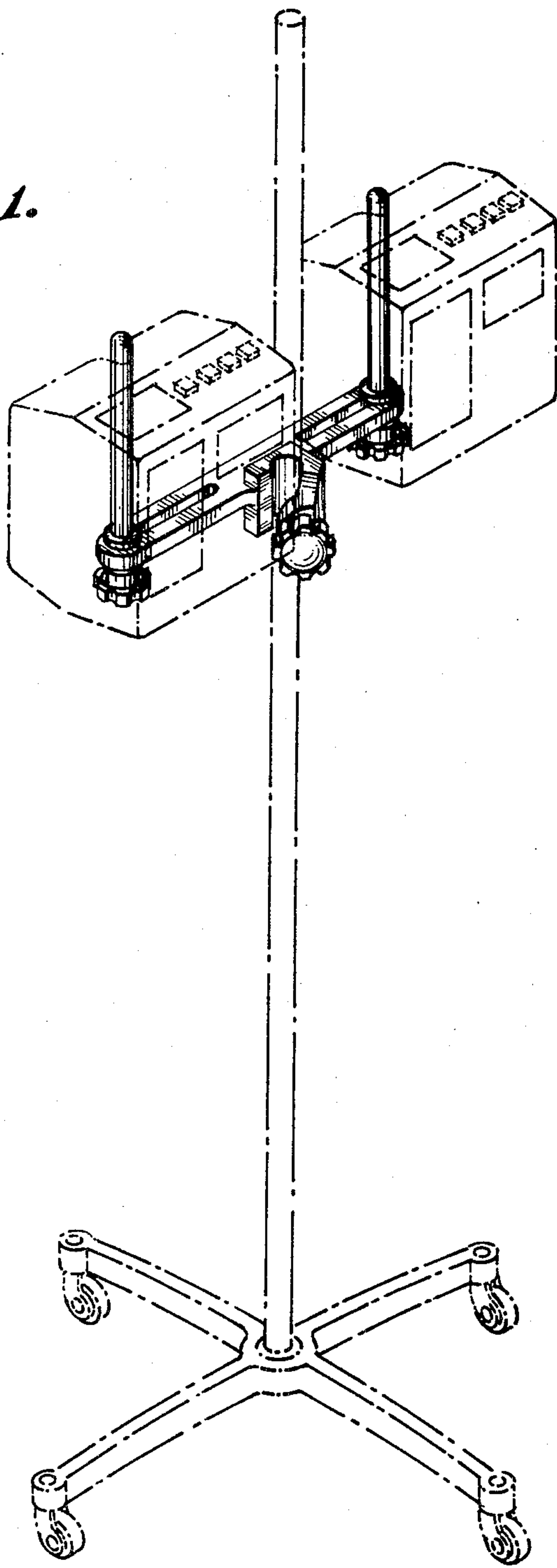


Fig. 1.



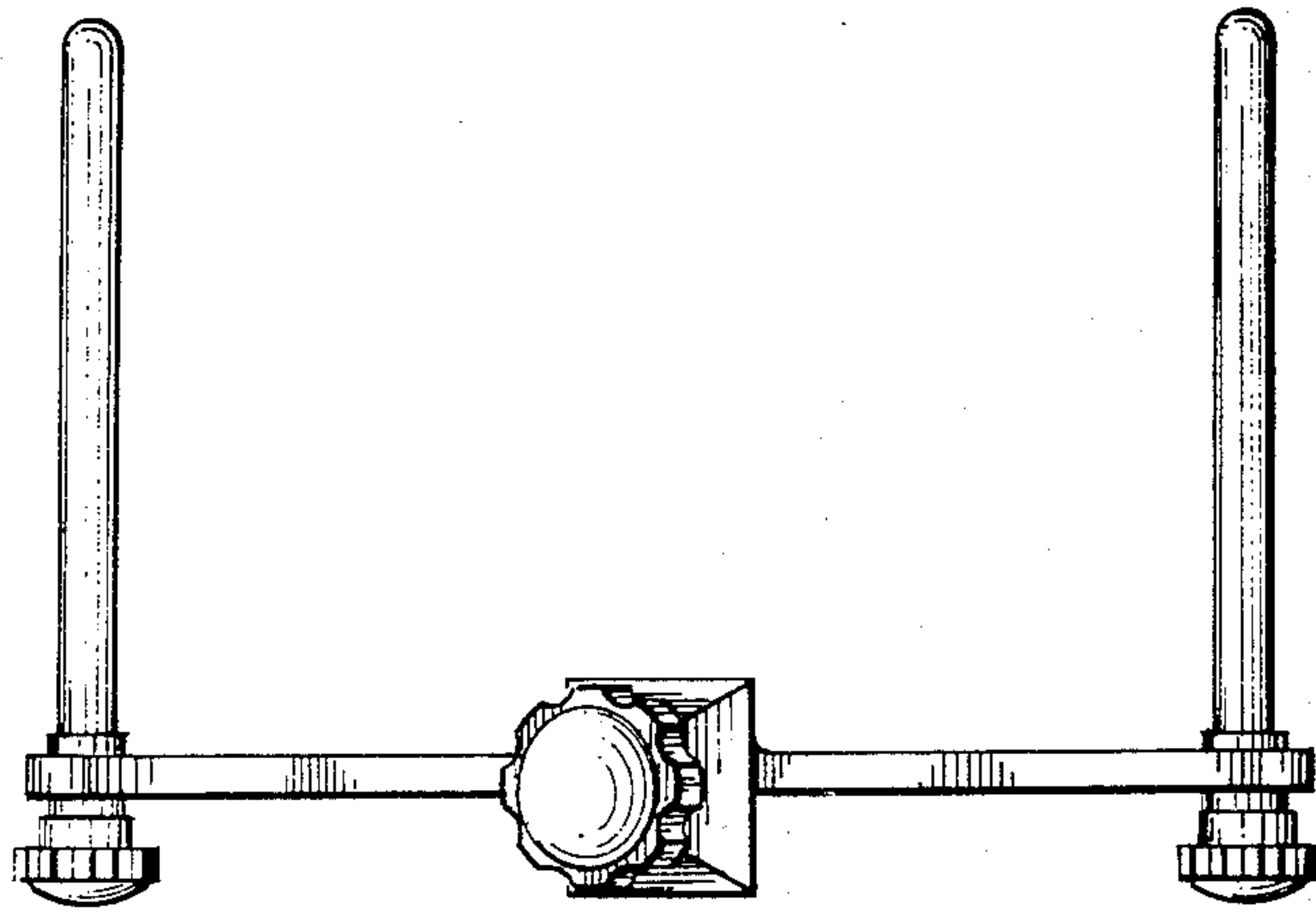


Fig. 2.

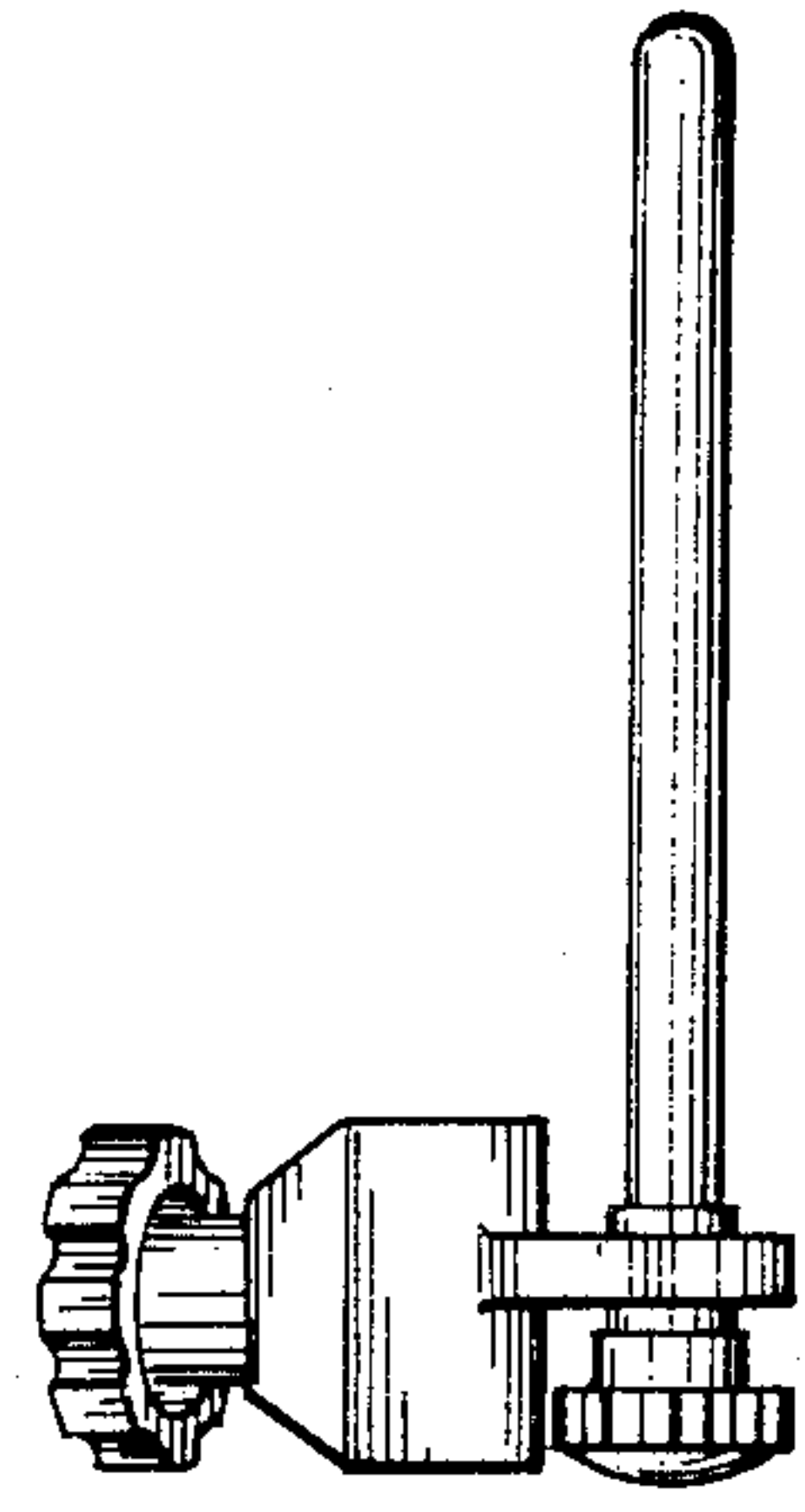


Fig. 3.

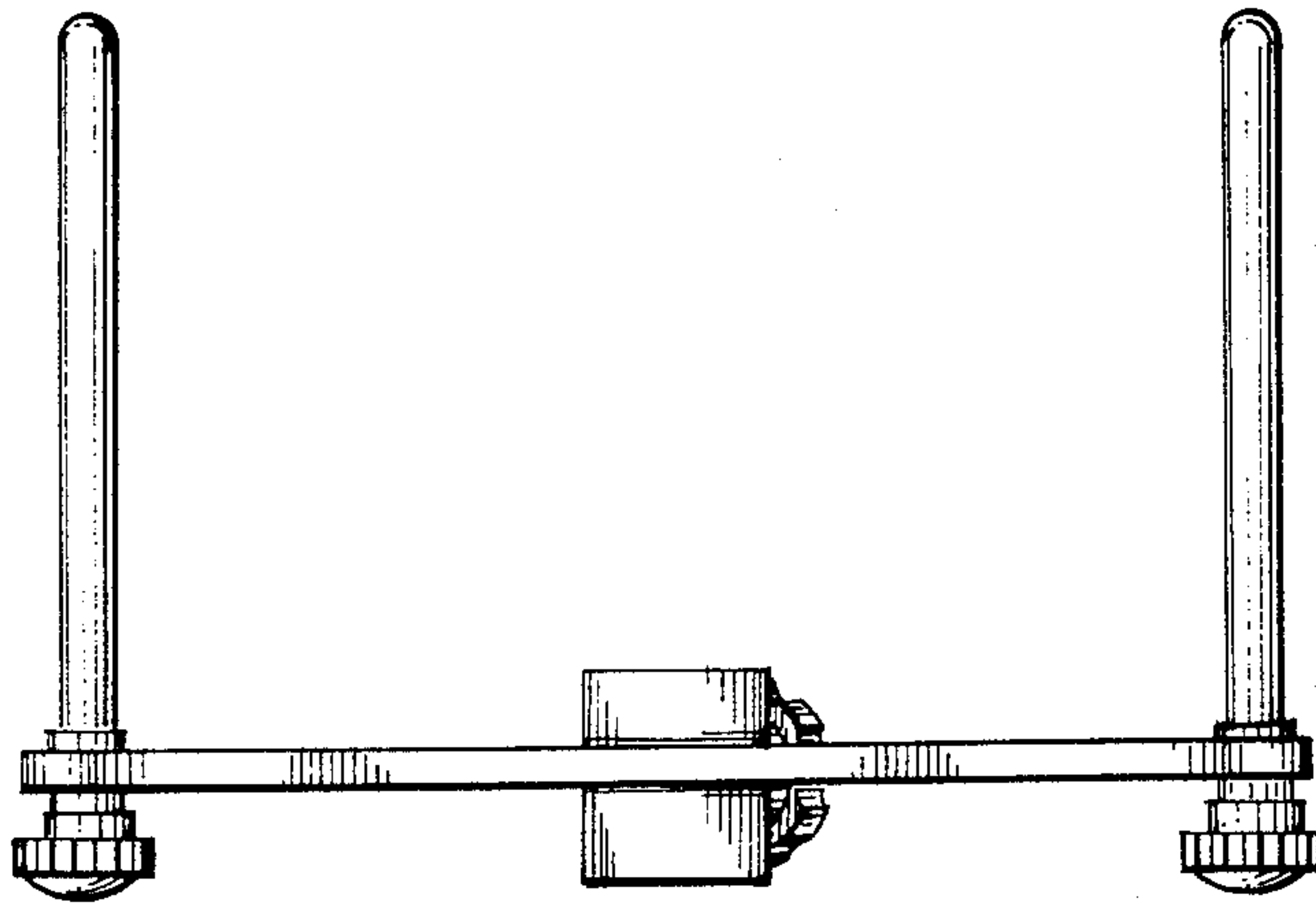


Fig. 4.

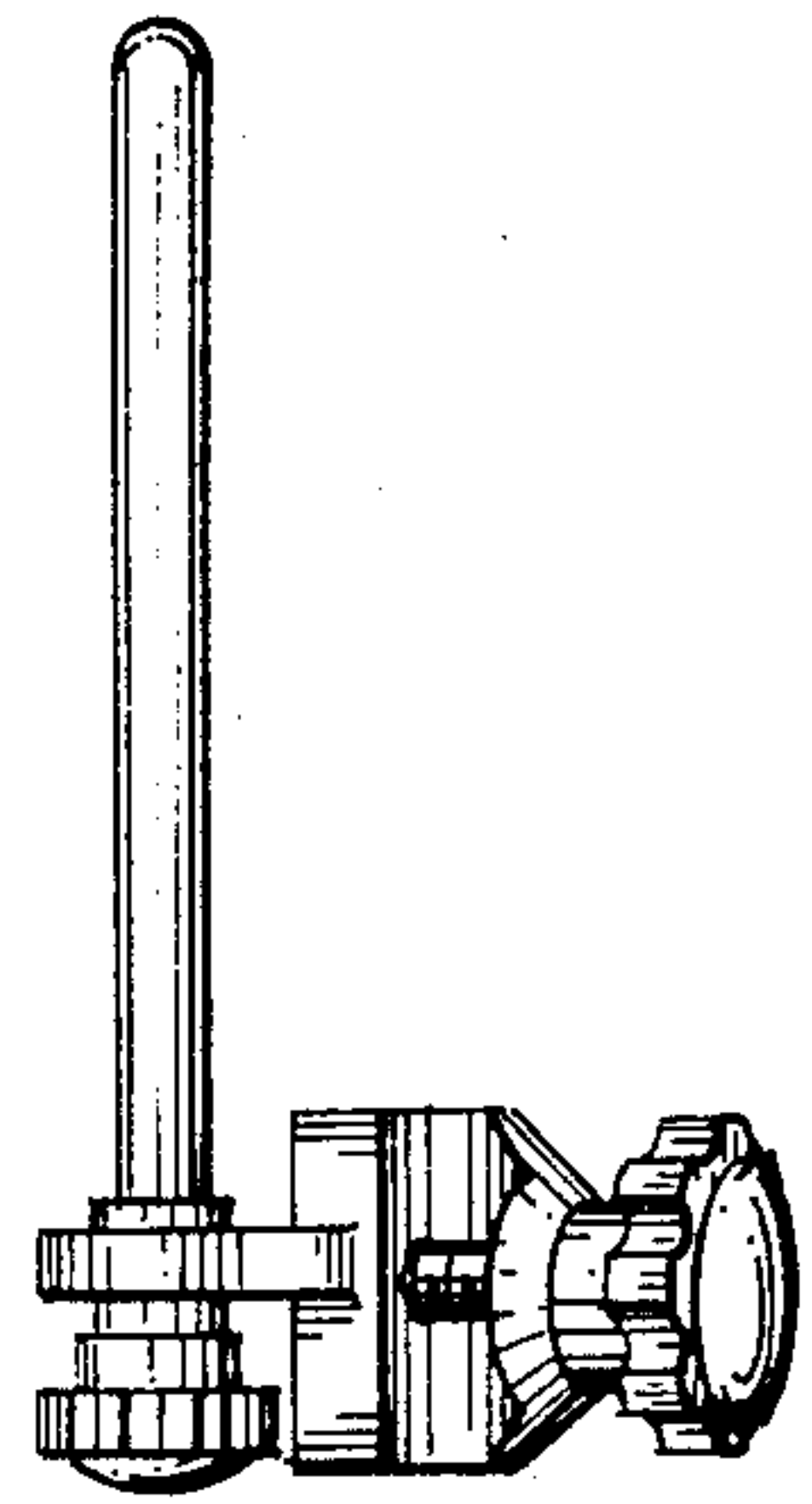


Fig. 5.

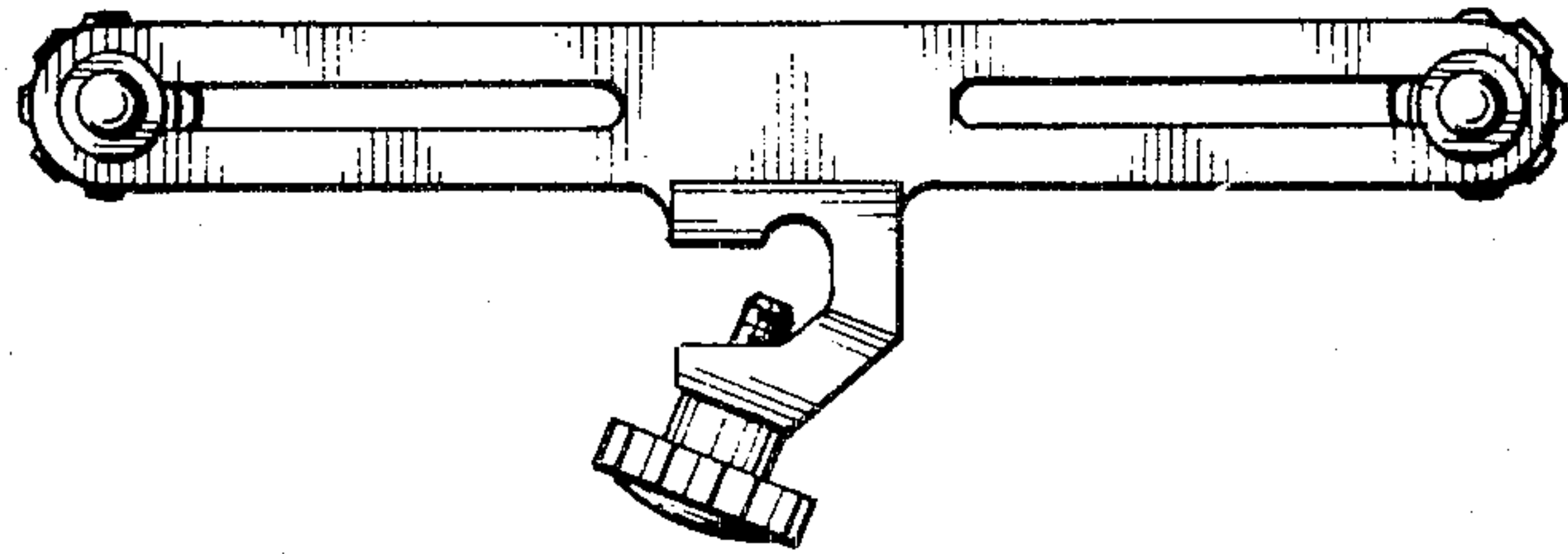


Fig. 6.

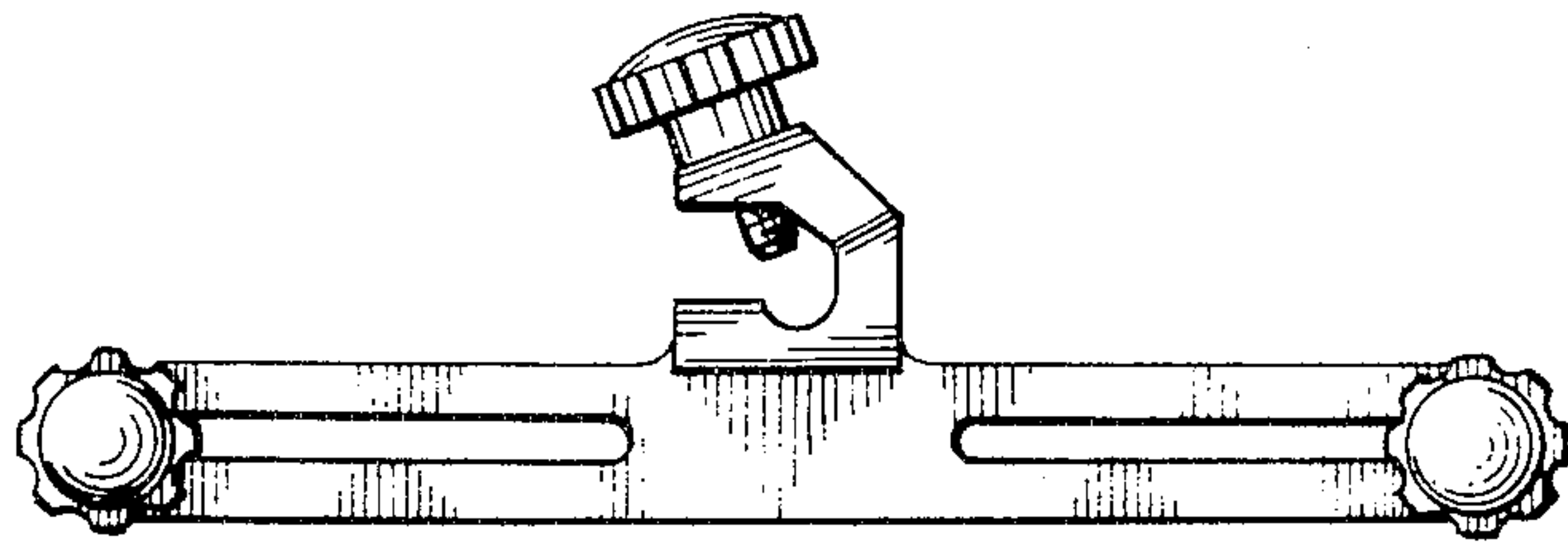


Fig. 7.