

[54] BLOOD PRESSURE MONITOR

[75] Inventors: Richard Avoy, Dunedin; Burton L. Cheatham, II; Christopher Sheridan, both of Tampa, all of Fla.

[73] Assignee: Critikon, Inc., Tampa, Fla.

[**] Term: 14 Years

[21] Appl. No.: 590,099

[22] Filed: Mar. 16, 1984

[52] U.S. Cl. D24/21; D24/17

[58] Field of Search D24/21, 17, 8; 128/670, 128/667-669, 662, 672, 677-683, 687, 689, 692, 709, 710, 712; D10/46, 57, 75, 78, 81, 102, 103, 60

[56] References Cited

U.S. PATENT DOCUMENTS

D. 278,314 4/1985 Van Beek et al. D10/57 X

3,910,257 10/1975 Fletcher et al. 128/670
4,404,974 9/1983 Titus 128/670
4,519,398 5/1985 Lisiecki et al. 128/710

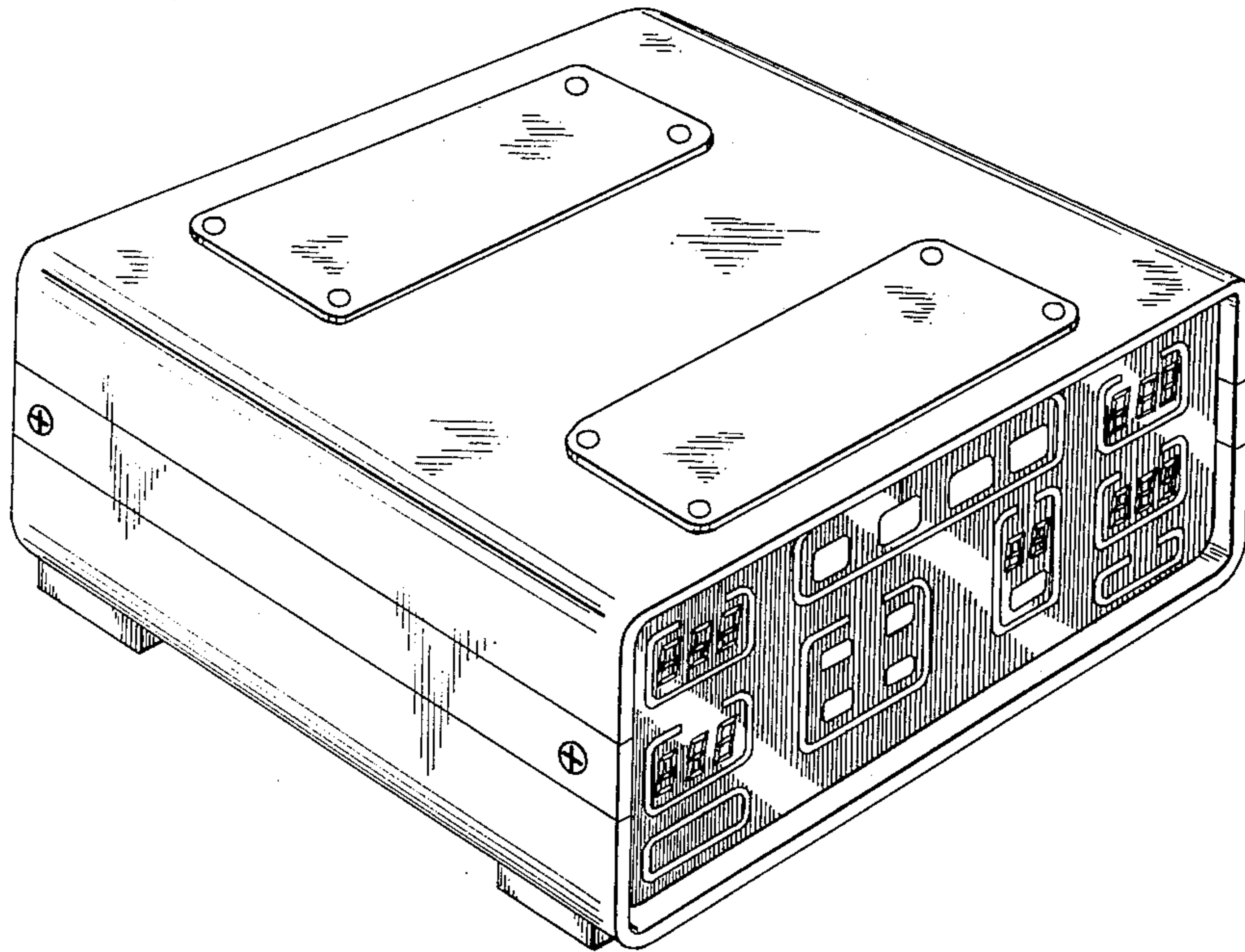
Primary Examiner—A. Hugo Word
Assistant Examiner—Stella M. Reid
Attorney, Agent, or Firm—Audley A. Ciamporcerro, Jr.

[57] CLAIM

The ornamental design for a blood pressure monitor, as shown and described.

DESCRIPTION

FIG. 1 is a perspective view of a blood pressure monitor showing our new design;
FIG. 2 is a top plan view thereof;
FIG. 3 is a front elevational view thereof;
FIG. 4 is a right side elevational view thereof;
FIG. 5 is a left side elevational view thereof;
FIG. 6 is a rear elevational view thereof; and
FIG. 7 is a bottom plan view thereof.



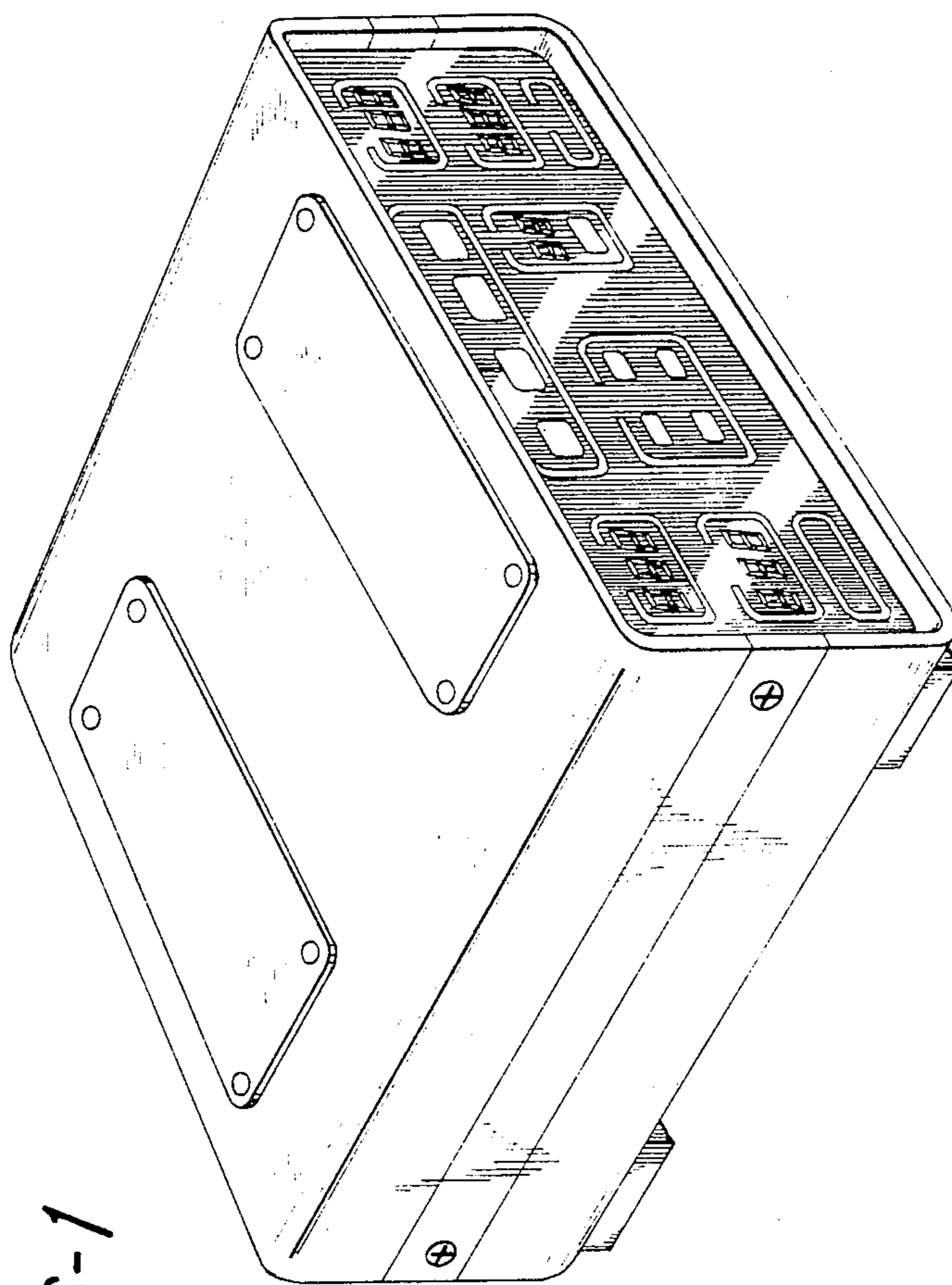


FIG-1

FIG-2

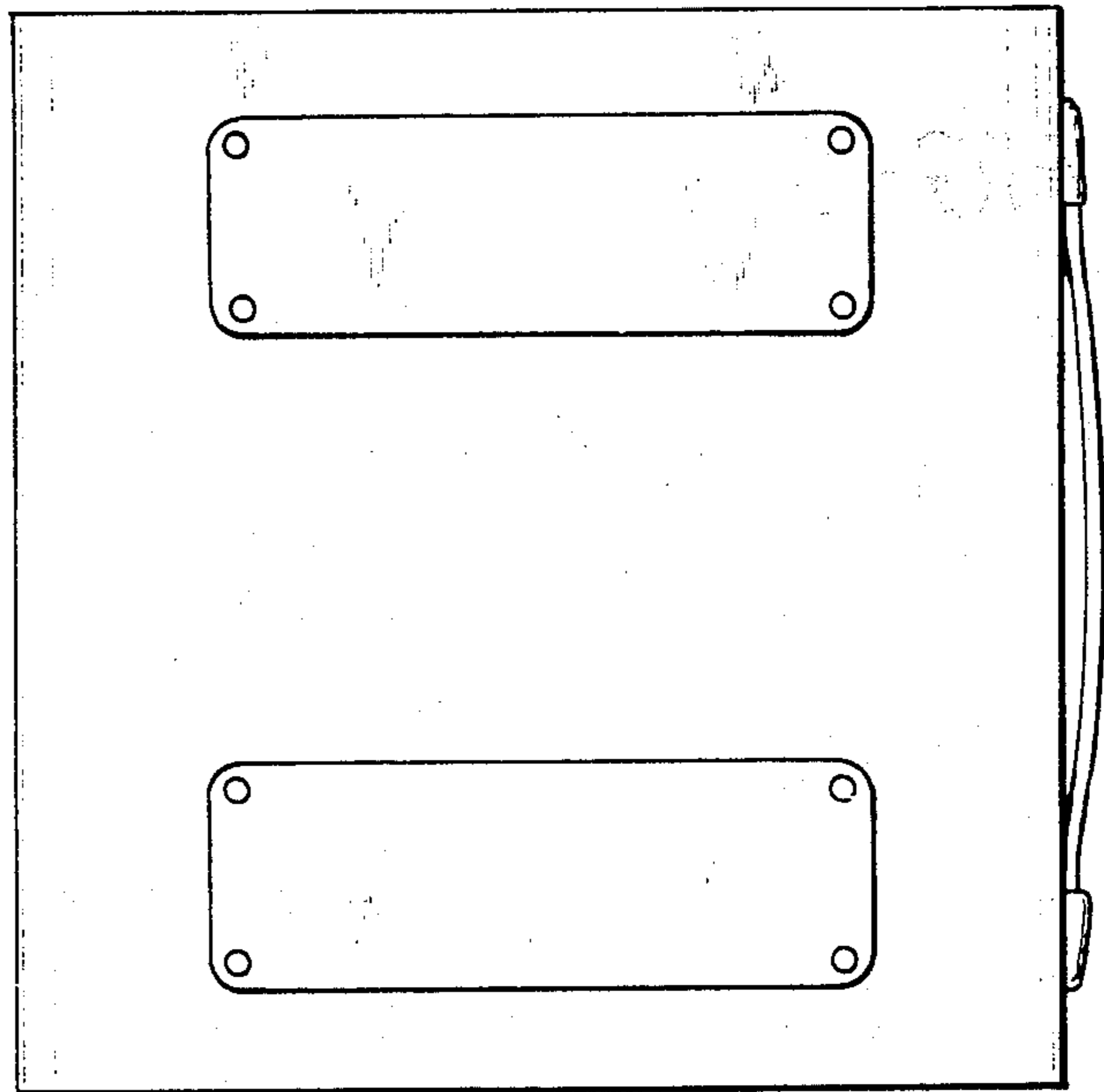


FIG-3

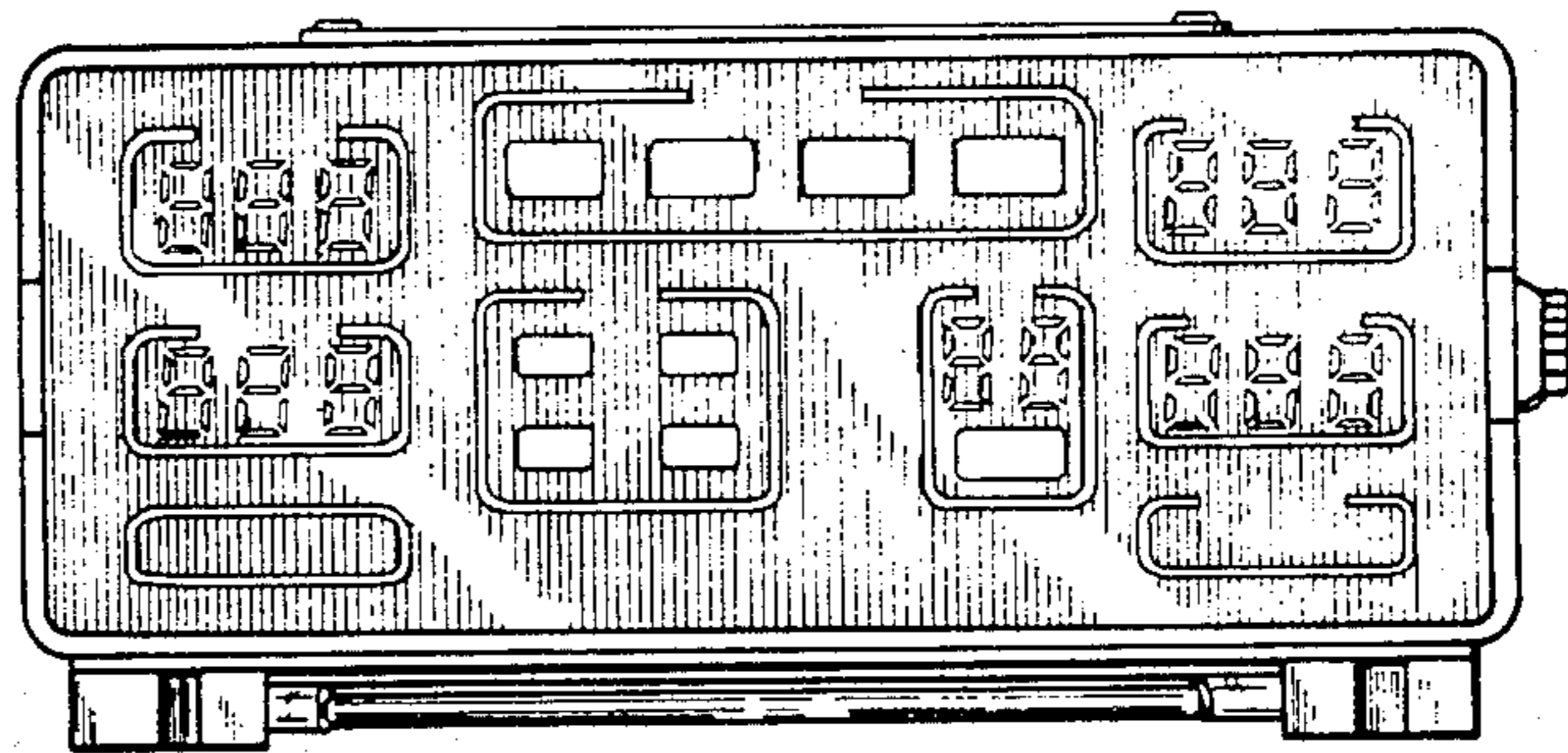


FIG-4

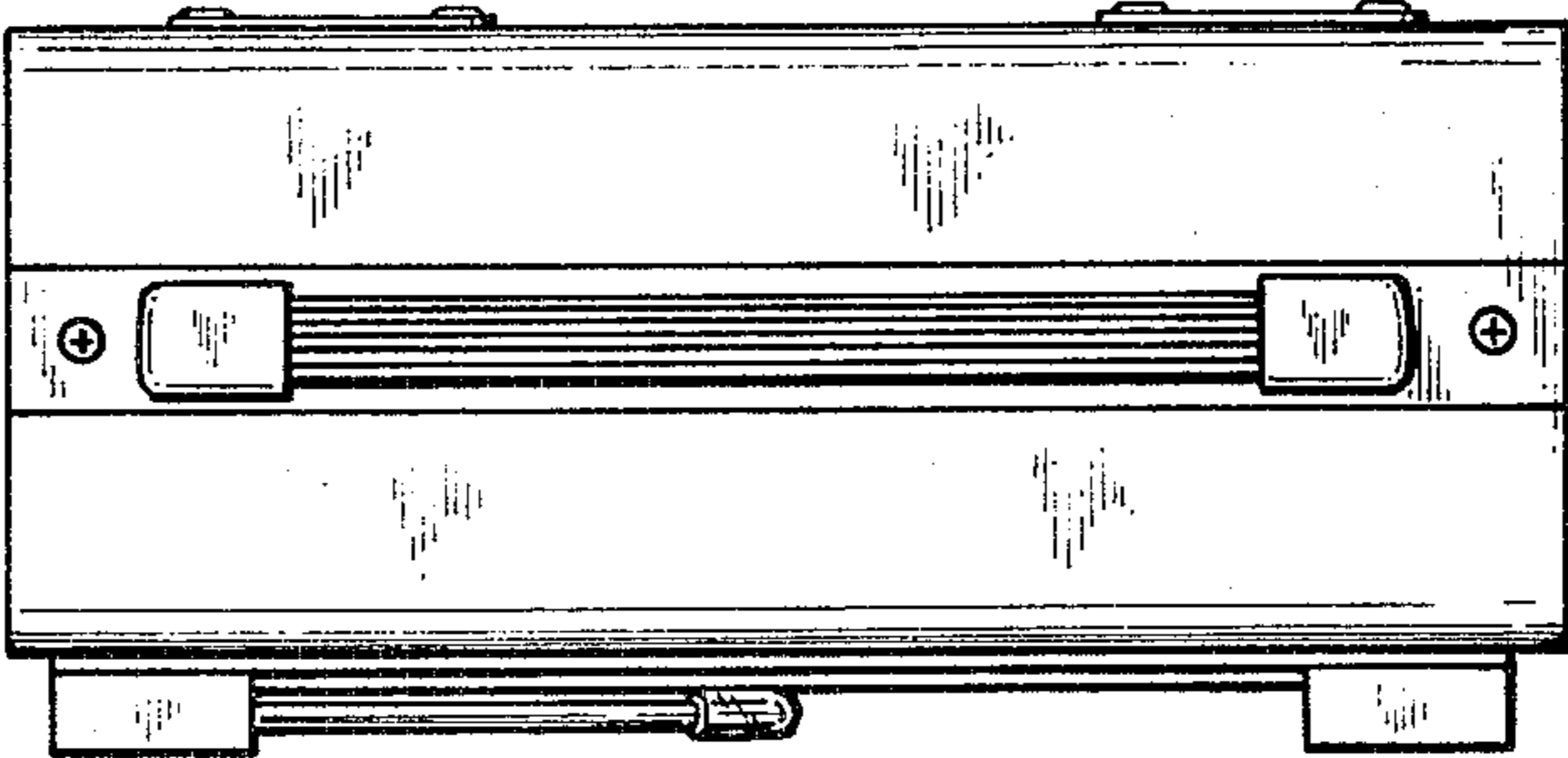


FIG-5

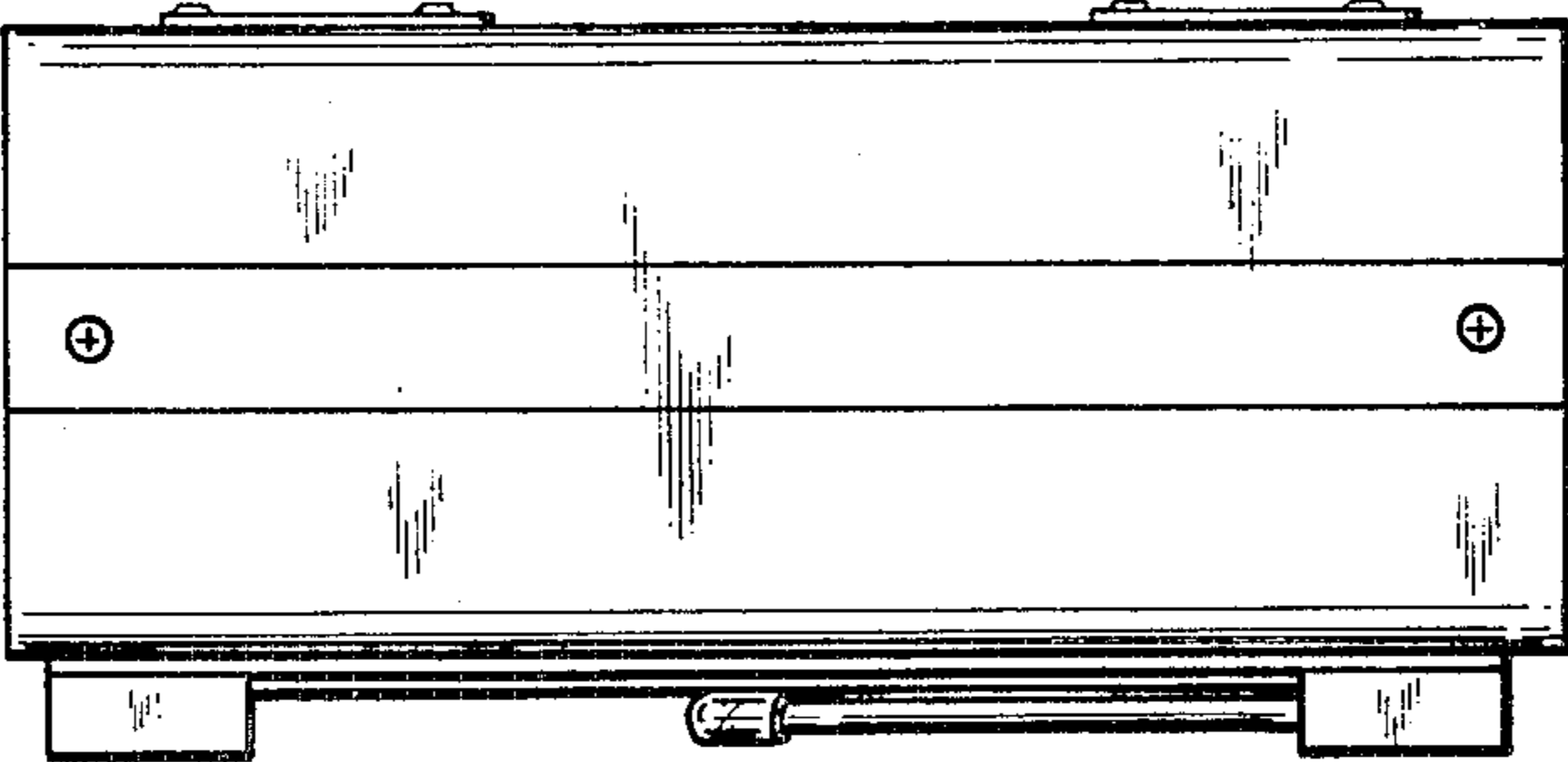


FIG-6

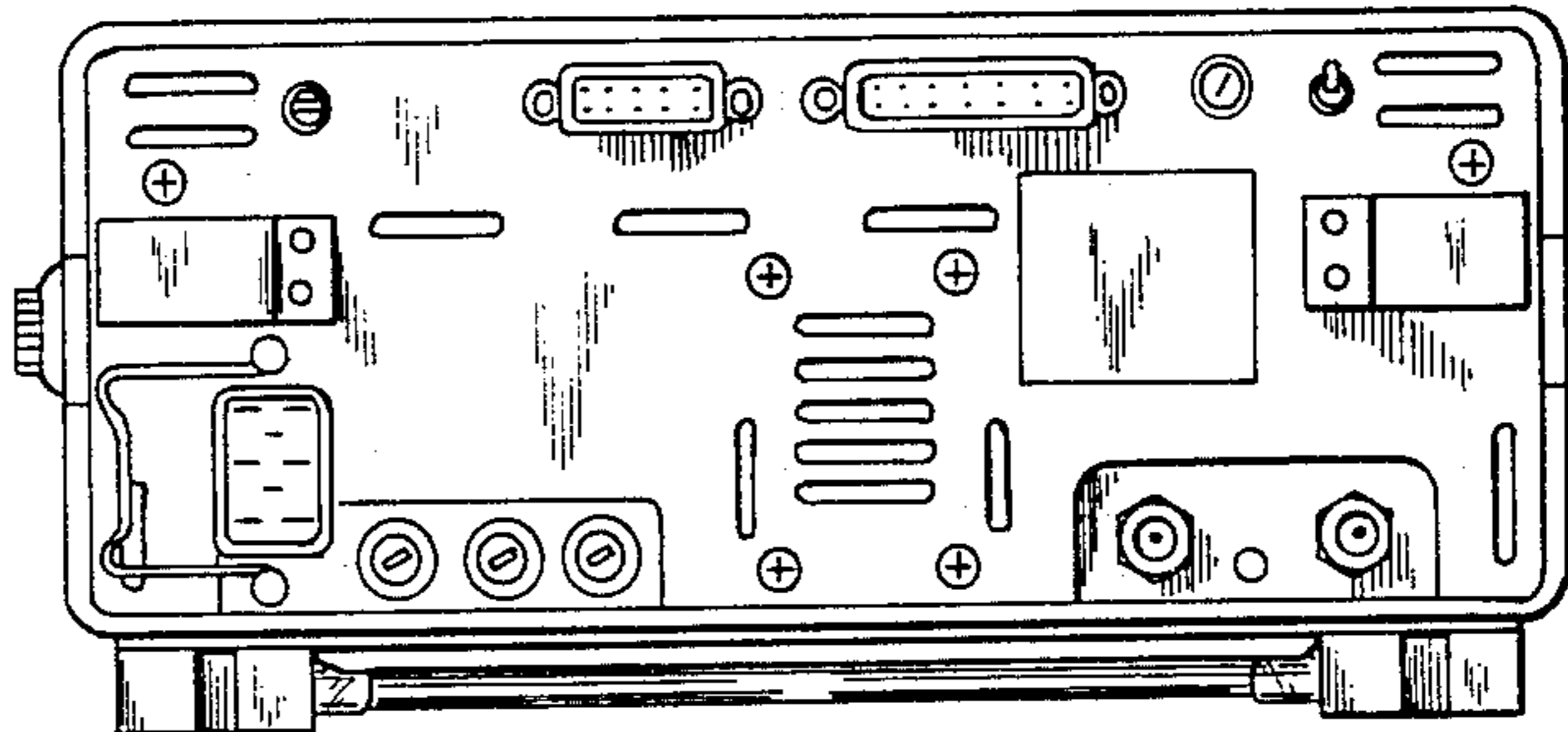


FIG-7

