

[54] HEAT TRANSFER SYSTEM

[76] Inventor: Kenneth V. Nygren, Rte. 2, Box 161, Eagle, Wis. 53119

[\*\*] Term: 14 Years

[21] Appl. No.: 615,213

[22] Filed: May 30, 1984

[52] U.S. Cl. .... D23/136

[58] Field of Search ..... D23/136; 165/142, 143, 165/172, 173

3,283,811 11/1966 Harvey ..... 165/142

FOREIGN PATENT DOCUMENTS

122563 1/1919 United Kingdom ..... 164/142  
279625 1/1971 U.S.S.R. .... 165/142

Primary Examiner—Catherine E. Kemper  
Attorney, Agent, or Firm—Quarles & Brady

[57] CLAIM

The ornamental design for a heat transfer system, as shown.

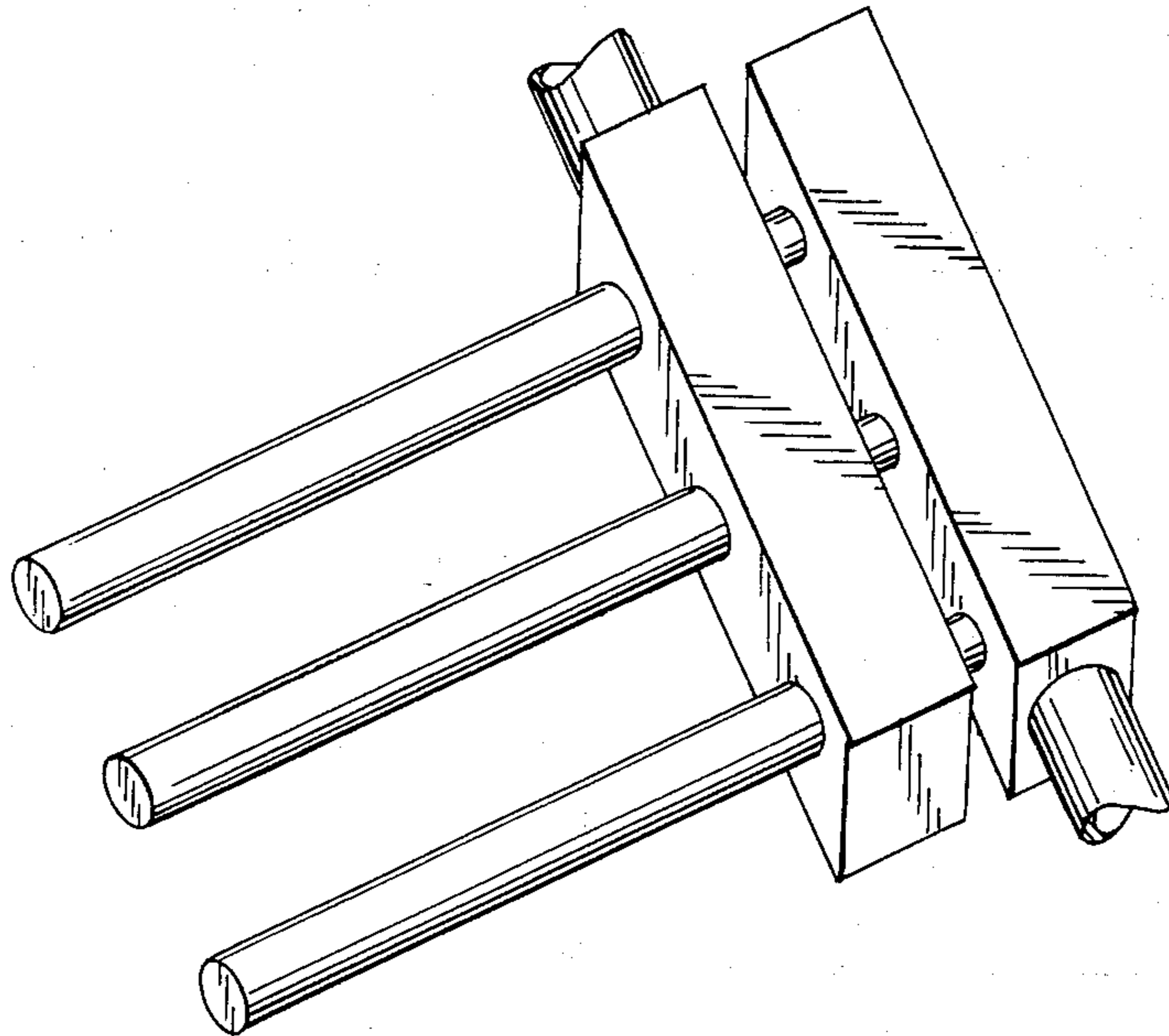
DESCRIPTION

FIG. 1 is a perspective view of a heat transfer system, showing my new design;  
FIG. 2 is a front elevational view thereof;  
FIG. 3 is a side elevational view thereof;  
FIG. 4 is a top plan view thereof;  
FIG. 5 is an end elevational view thereof;  
FIG. 6 is an elevational view of the side opposite that shown in FIG. 3.

[56] References Cited

U.S. PATENT DOCUMENTS

83,863	11/1868	Laubach .	
92,526	7/1869	Hamilton .....	165/142
1,319,555	10/1919	Andersen .	
2,232,272	2/1941	Rieger .....	165/142
2,243,593	5/1941	Zallea .....	165/142
2,267,695	12/1941	Graham .....	165/142
2,395,594	2/1946	Ulberg .....	126/99



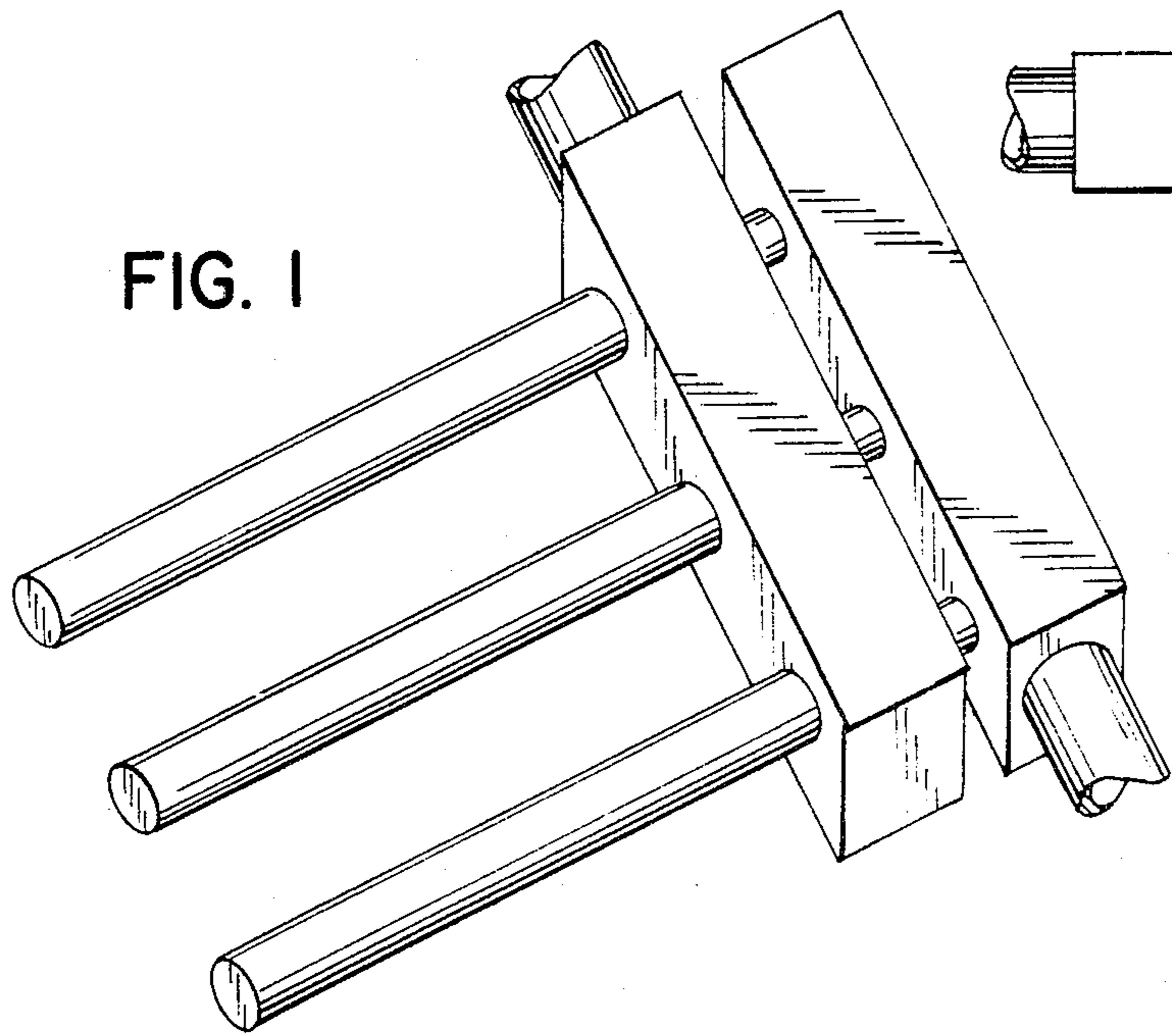


FIG. 1



FIG. 2

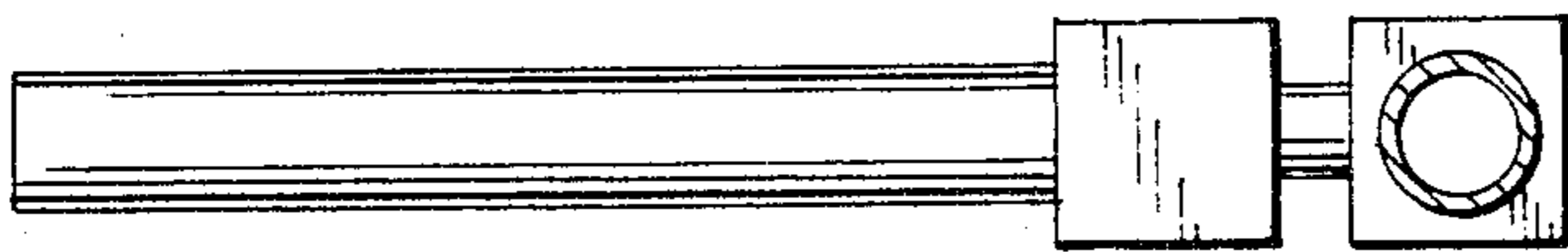


FIG. 3

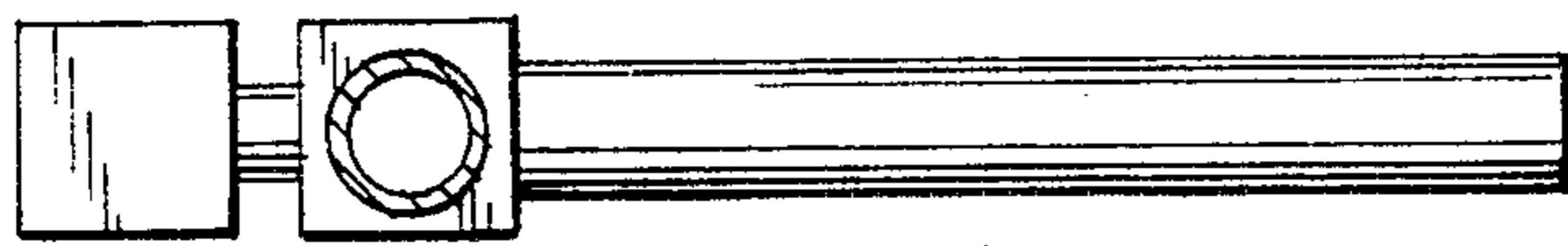


FIG. 6

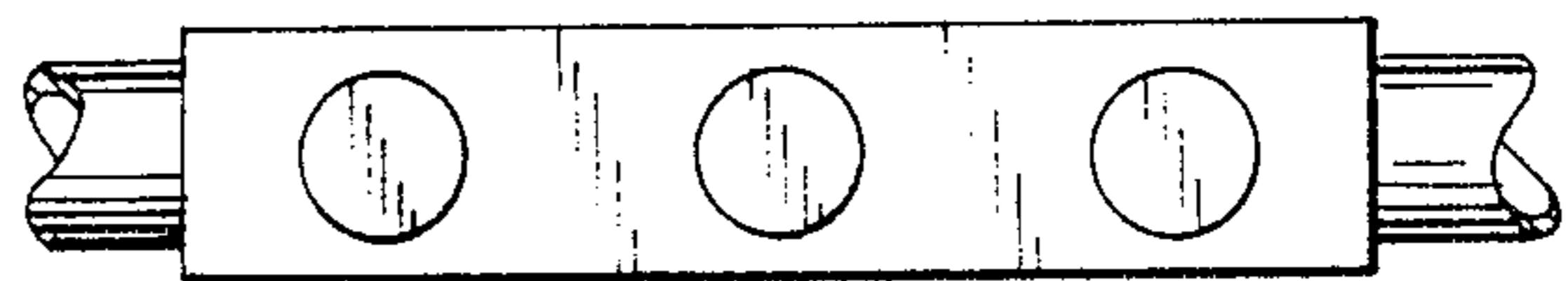


FIG. 5

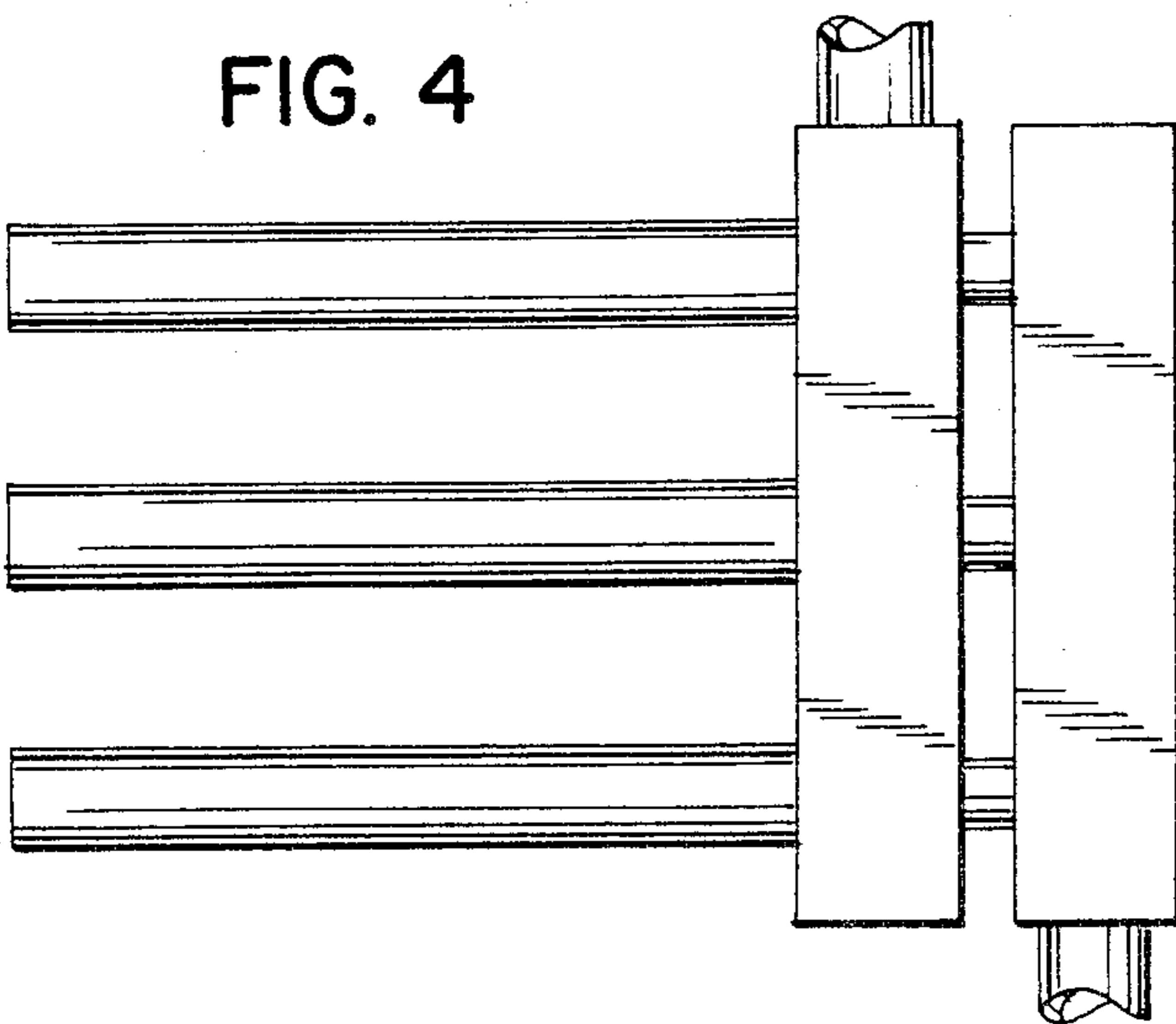


FIG. 4