

[54] FLUID CONTROL VALVE

[76] Inventor: Richard E. Hughes, 821 Loma Dr.,
Hermosa Beach, Calif. 90254

[**] Term: 14 Years

[21] Appl. No.: 628,637

[22] Filed: Jul. 6, 1984

[52] U.S. Cl. D23/19

[58] Field of Search D23/19-22;
137/460, 498

3,712,333 1/1973 Semon 137/498
4,257,448 3/1981 Shiu et al. 137/498 X
4,347,867 9/1982 Peters 137/460
4,373,548 2/1983 Chou 137/460

Primary Examiner—James R. Largen
Attorney, Agent, or Firm—Cislo, O'Reilly & Thomas

[57] CLAIM

The ornamental design for a fluid control valve, as shown and described.

DESCRIPTION

FIG. 1 is a perspective view taken from the top, front and left side of a fluid control valve showing my new design;

FIG. 2 is a right side elevational view thereof, the left side being a mirror image of the right side shown;

FIG. 3 is a top view thereof;

FIG. 4 is a bottom view thereof;

FIG. 5 is a front view thereof; and

FIG. 6 is a rear view thereof.

[56] References Cited

U.S. PATENT DOCUMENTS

D. 103,582	3/1937	Murphy	D23/21
D. 180,010	4/1957	Britton	D23/20
D. 188,747	8/1960	Baneroft	D23/19
D. 207,766	5/1967	Keane	D23/19
D. 236,115	7/1975	Bjorklund	D23/19
D. 240,227	6/1976	Flynn	D23/19
D. 278,739	5/1985	Galloway	D23/19

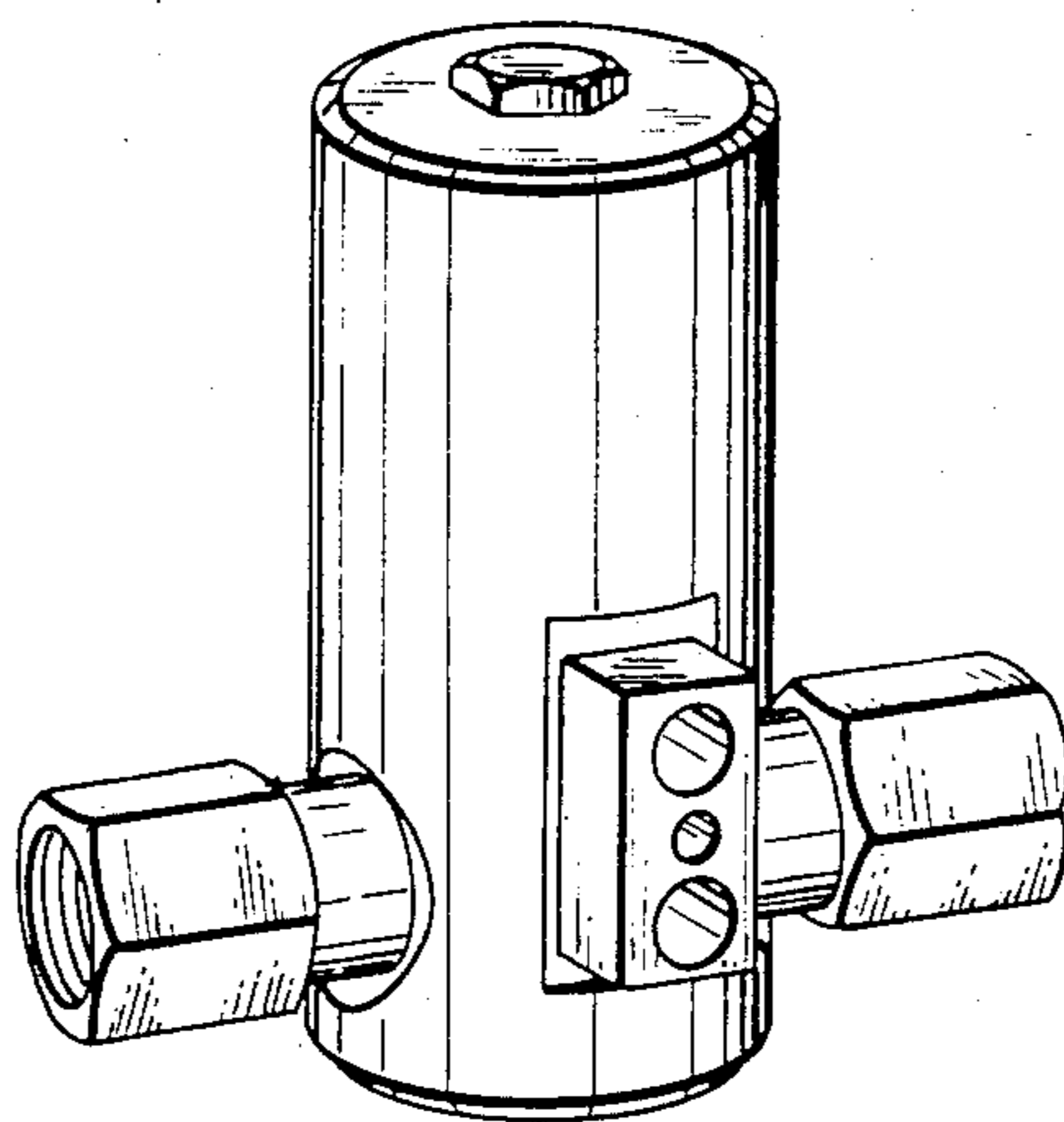


Fig. 1.

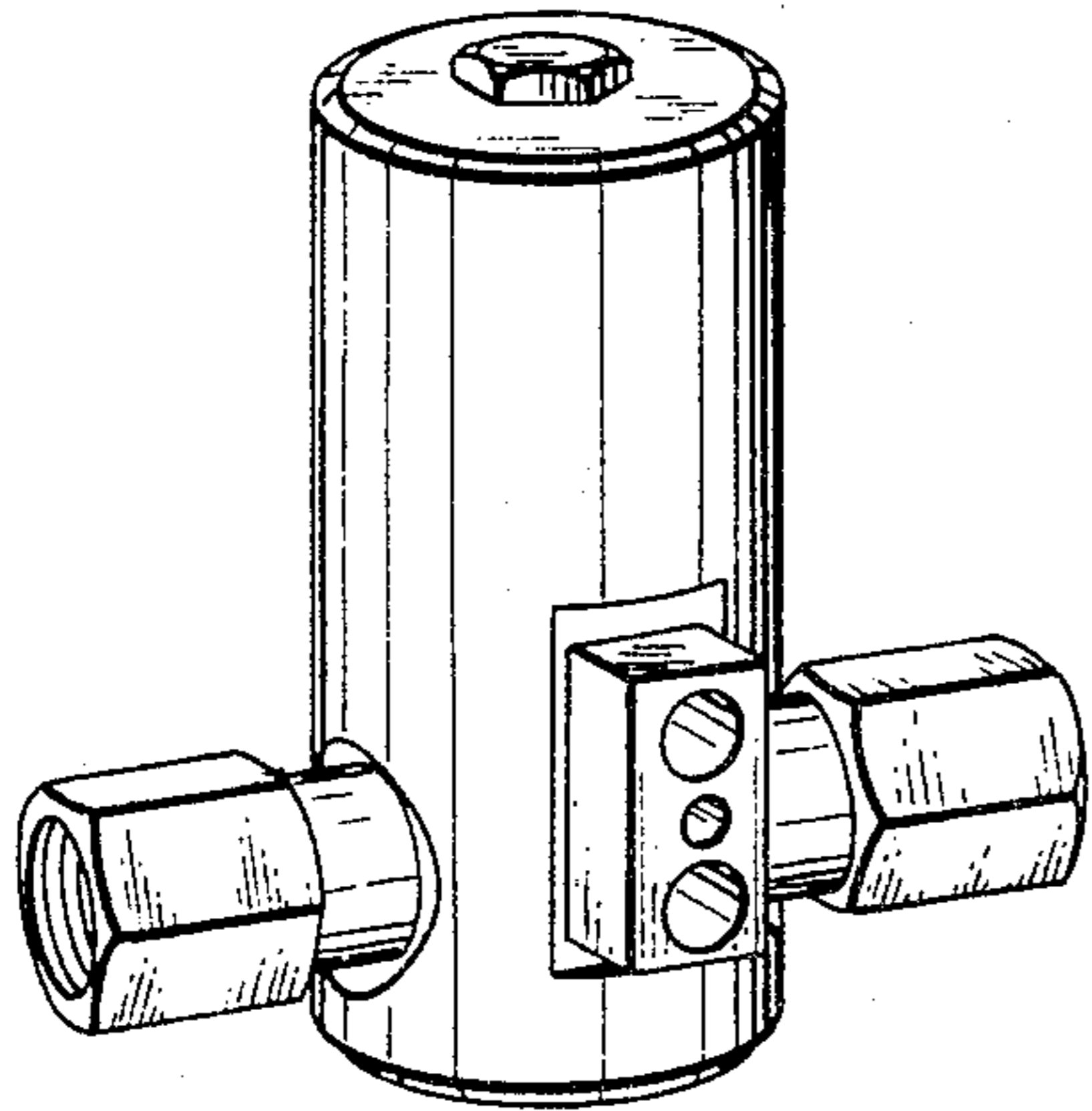


Fig. 2.

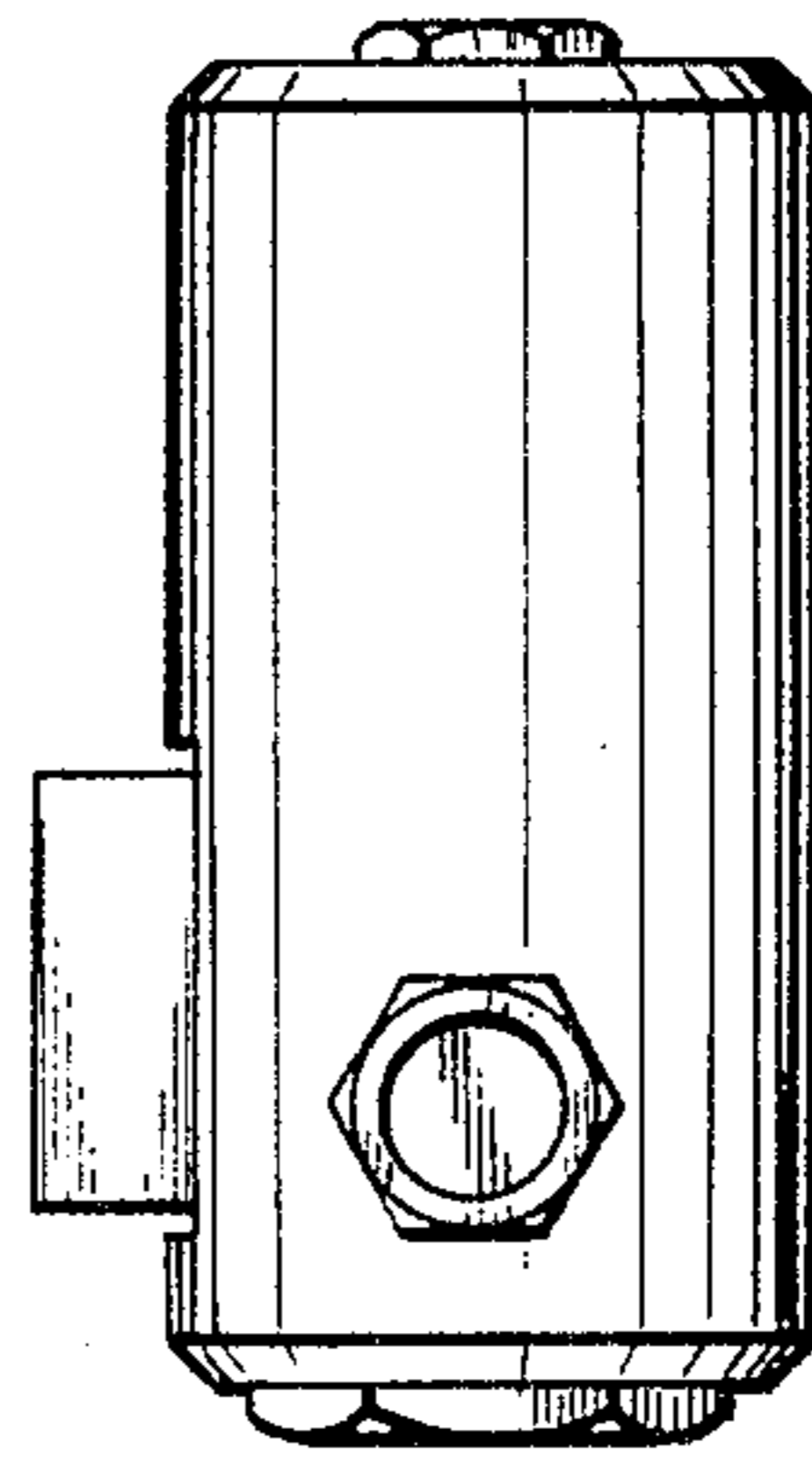


Fig. 3.

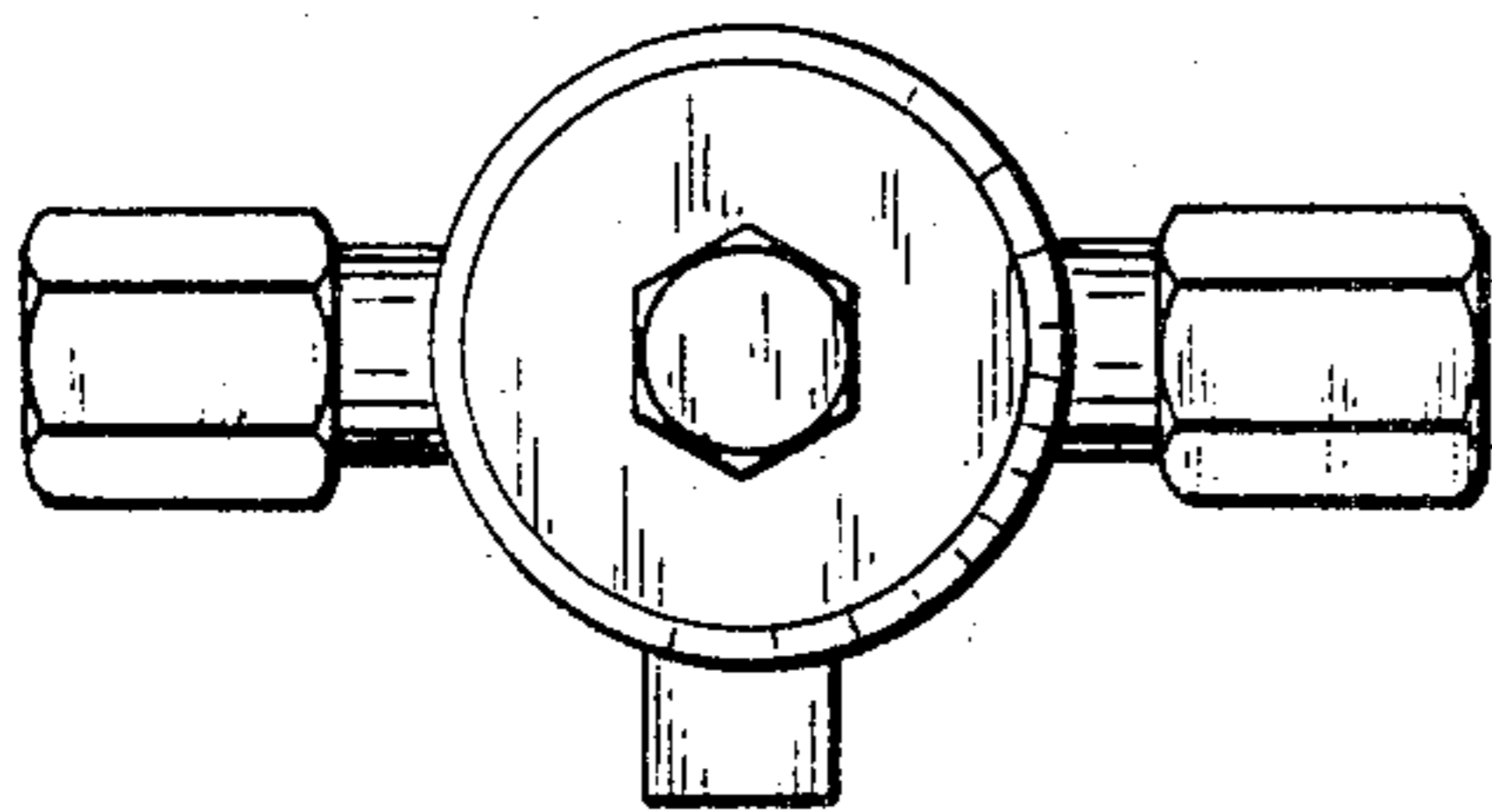


Fig. 4.

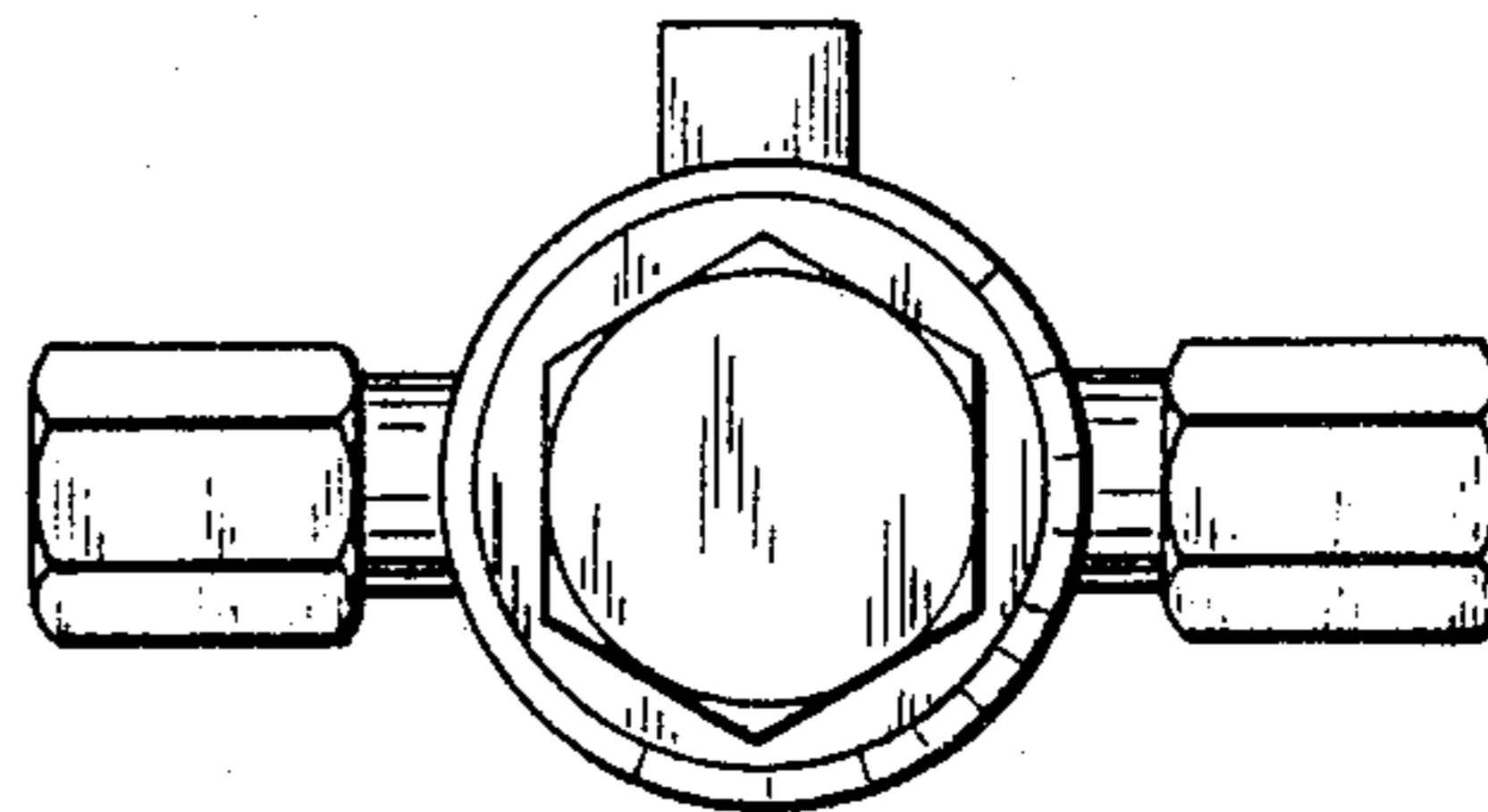


Fig. 5.

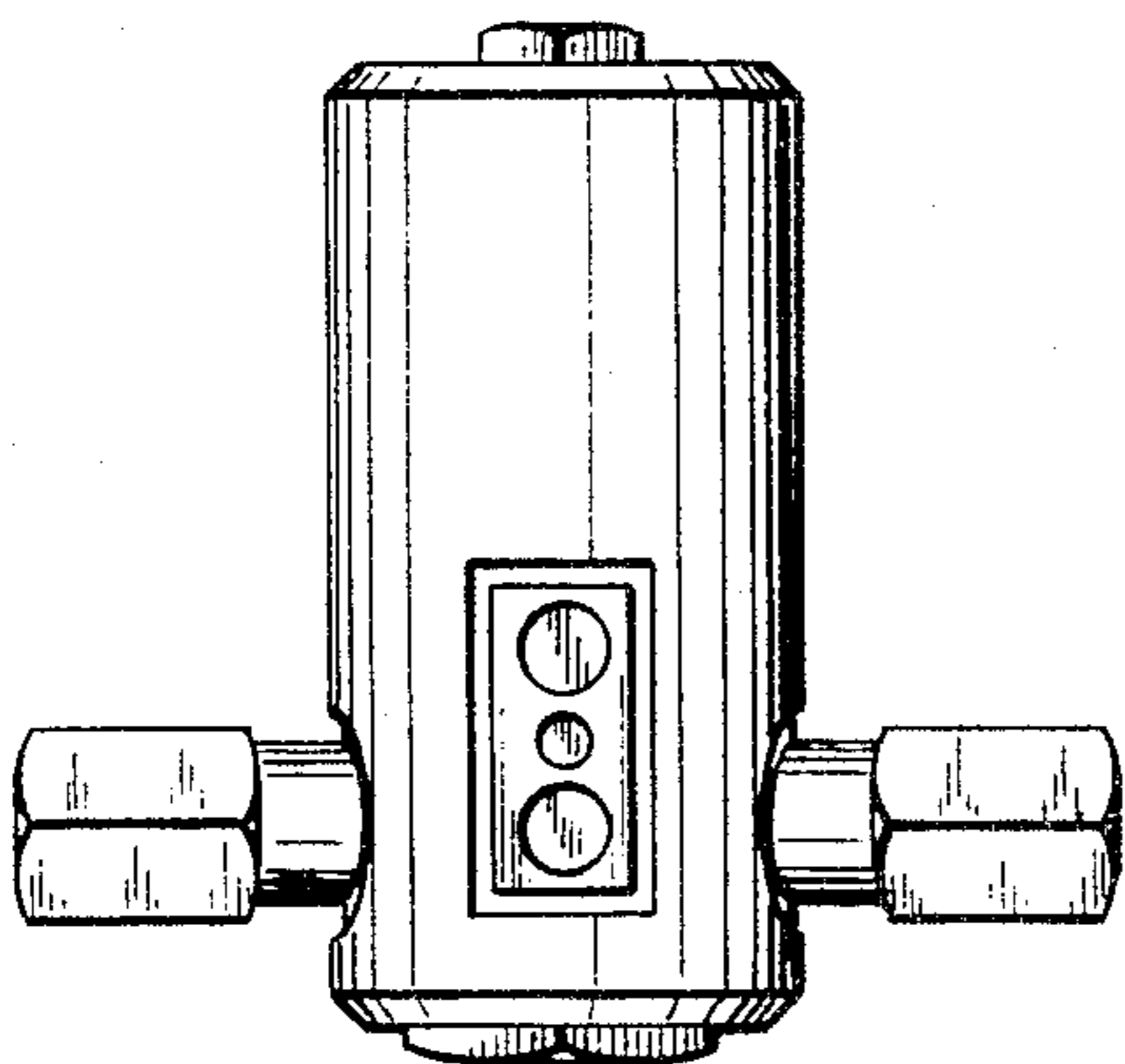


Fig. 6.

