

[54] AUTOMATIC FLUID SHUTOFF VALVE

[76] Inventor: Richard E. Hughes, 821 Loma Dr.,  
Hermosa Beach, Calif. 90254

[\*\*] Term: 14 Years

[21] Appl. No.: 628,636

[22] Filed: Jul. 6, 1984

[52] U.S. Cl. .... D23/19

[58] Field of Search ..... D23/19-22;  
137/460, 498

3,712,333	1/1973	Semon .....	137/498
4,257,448	3/1981	Shiu et al. ....	137/498
4,347,867	9/1982	Peters .....	137/460
4,373,548	2/1983	Chou .....	137/460

Primary Examiner—James R. Largen  
Attorney, Agent, or Firm—Cislo, O'Reilly & Thomas

[57] CLAIM

The ornamental design for an automatic fluid shutoff valve, as shown and described.

DESCRIPTION

FIG. 1 is a perspective view taken from the top, front and right side of an automatic fluid shutoff valve showing my new design;

FIG. 2 is a top view thereof;

FIG. 3 is a bottom view thereof;

FIG. 4 is a right side elevational view thereof;

FIG. 5 is a left side elevational view thereof;

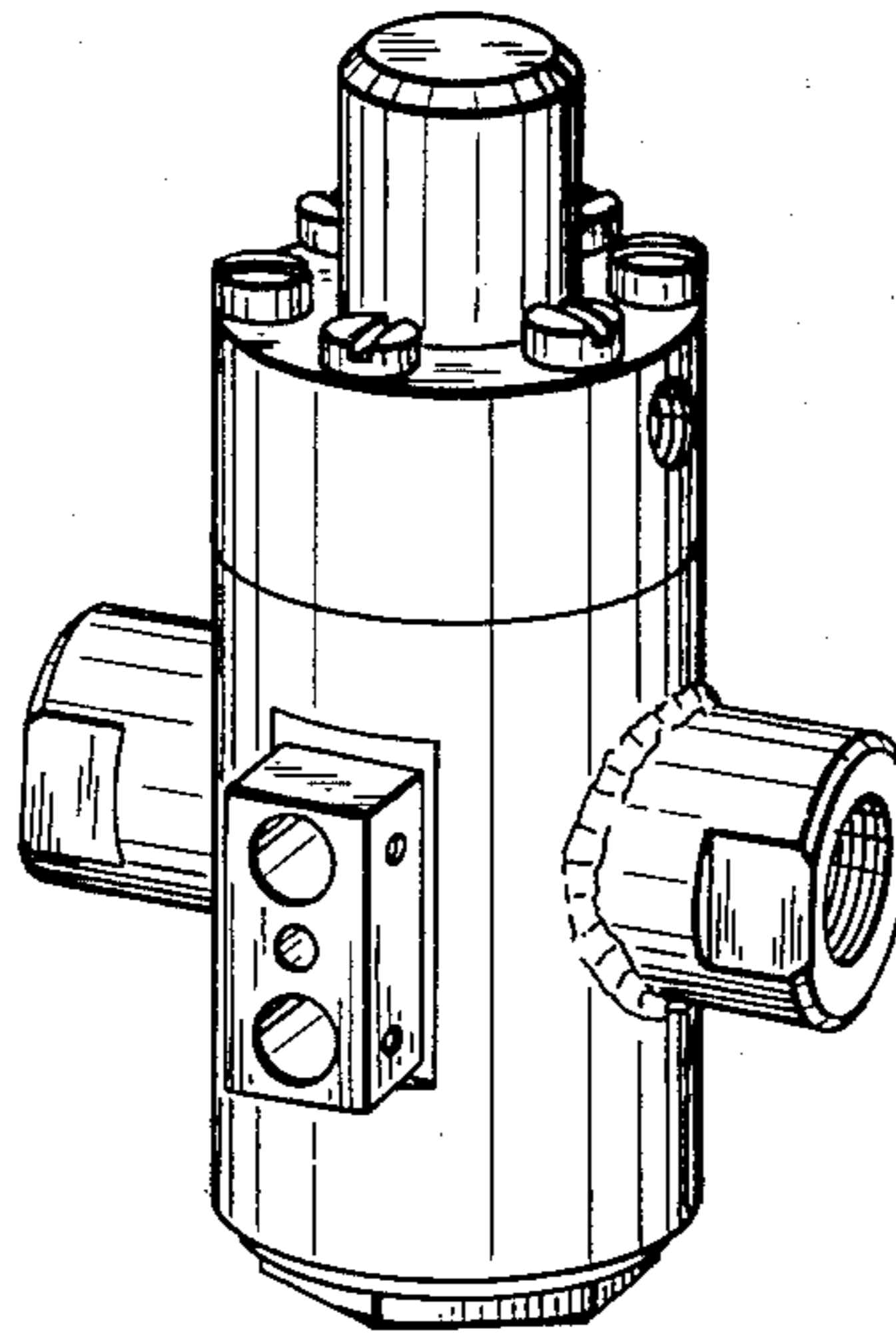
FIG. 6 is a rear view thereof; and

FIG. 7 is a front view thereof.

[56] References Cited

U.S. PATENT DOCUMENTS

D. 103,582	3/1937	Murphy .....	D23/21
D. 180,010	4/1957	Britton .....	D23/20
D. 188,747	8/1960	Baneroft .....	D23/19
D. 207,766	5/1967	Keane .....	D23/19
D. 236,115	7/1975	Bjorklund .....	D23/19
D. 240,227	6/1976	Flynn .....	D23/19
D. 278,739	5/1985	Galloway .....	D23/19



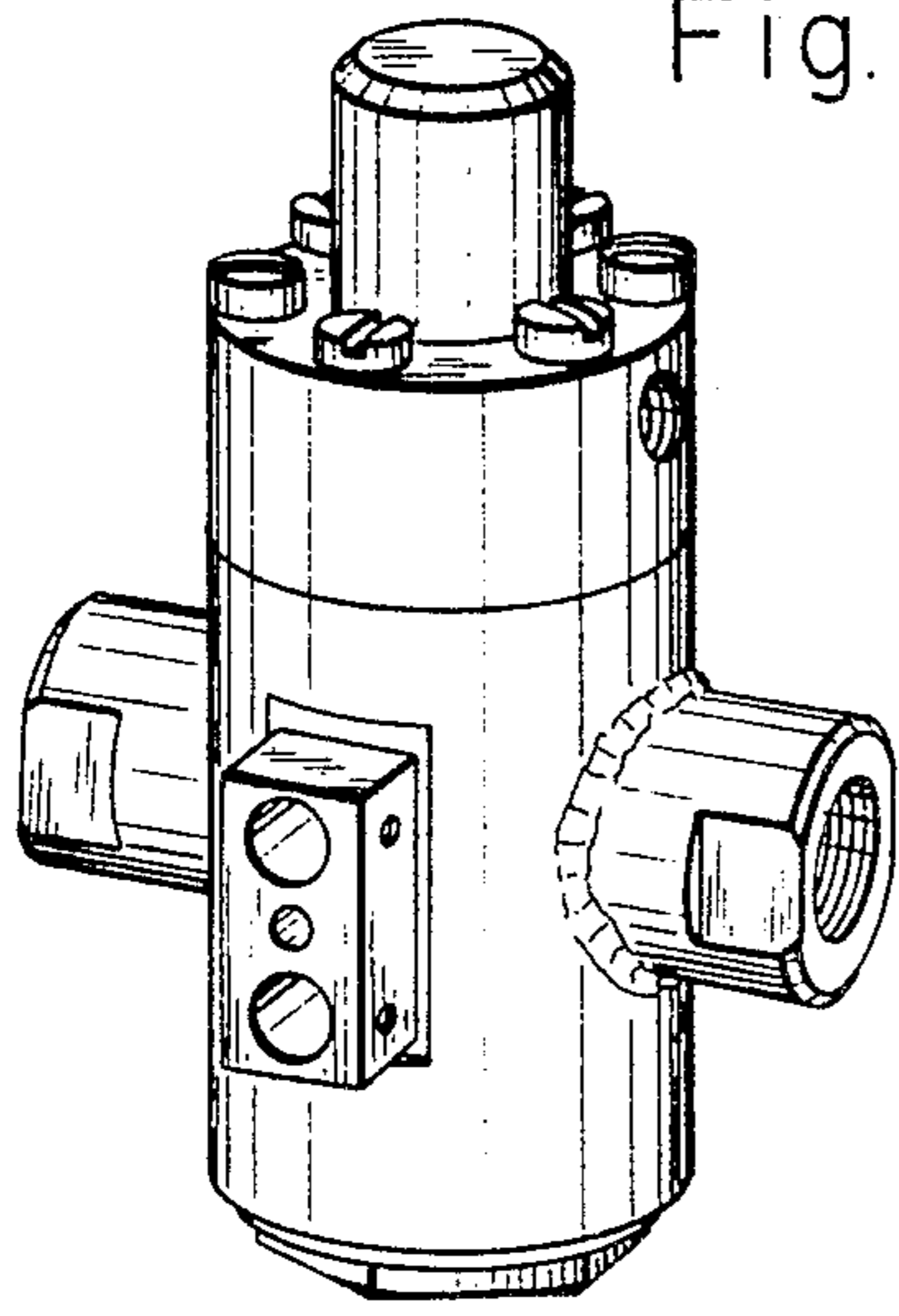


Fig. 1.

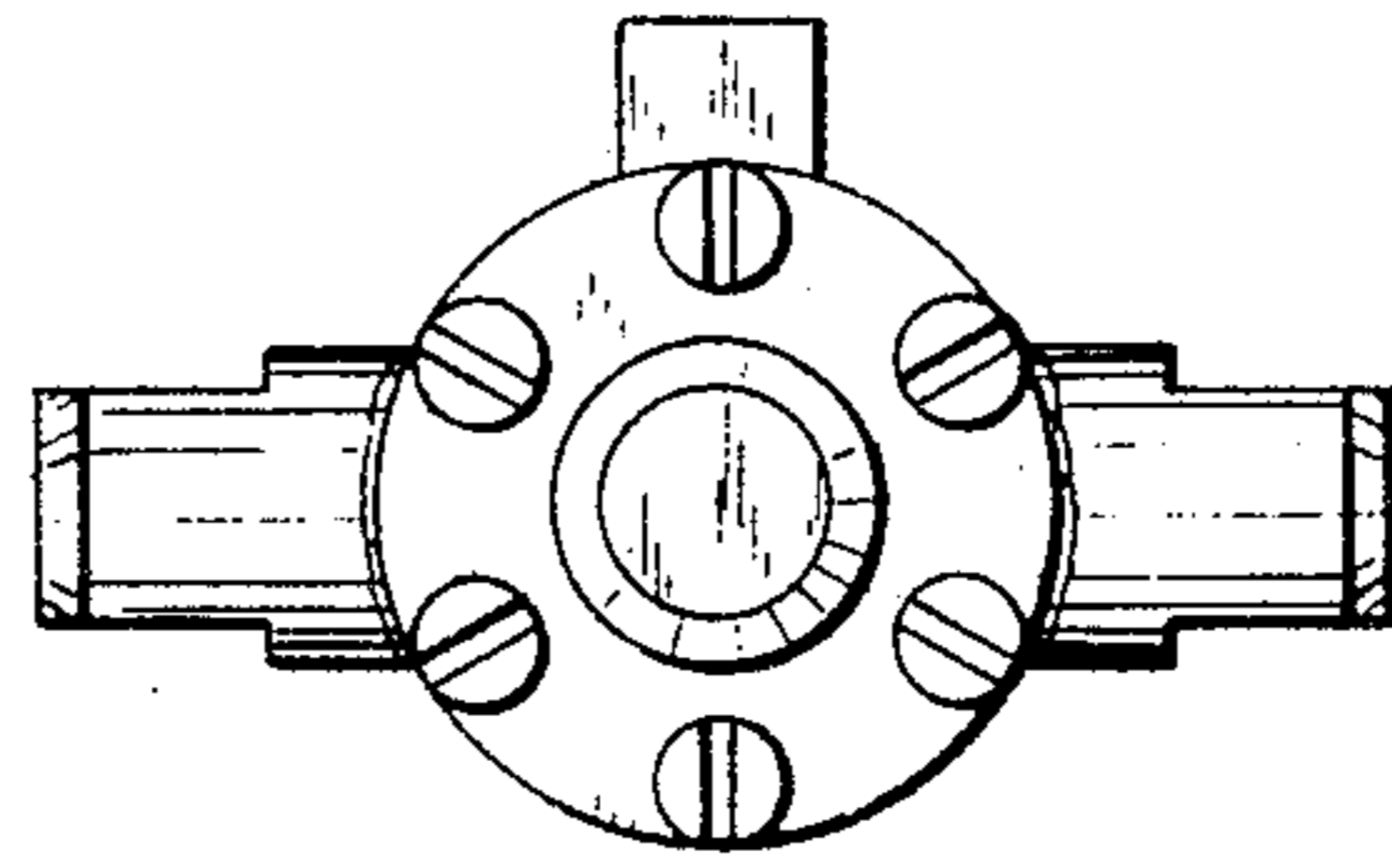


Fig. 2.

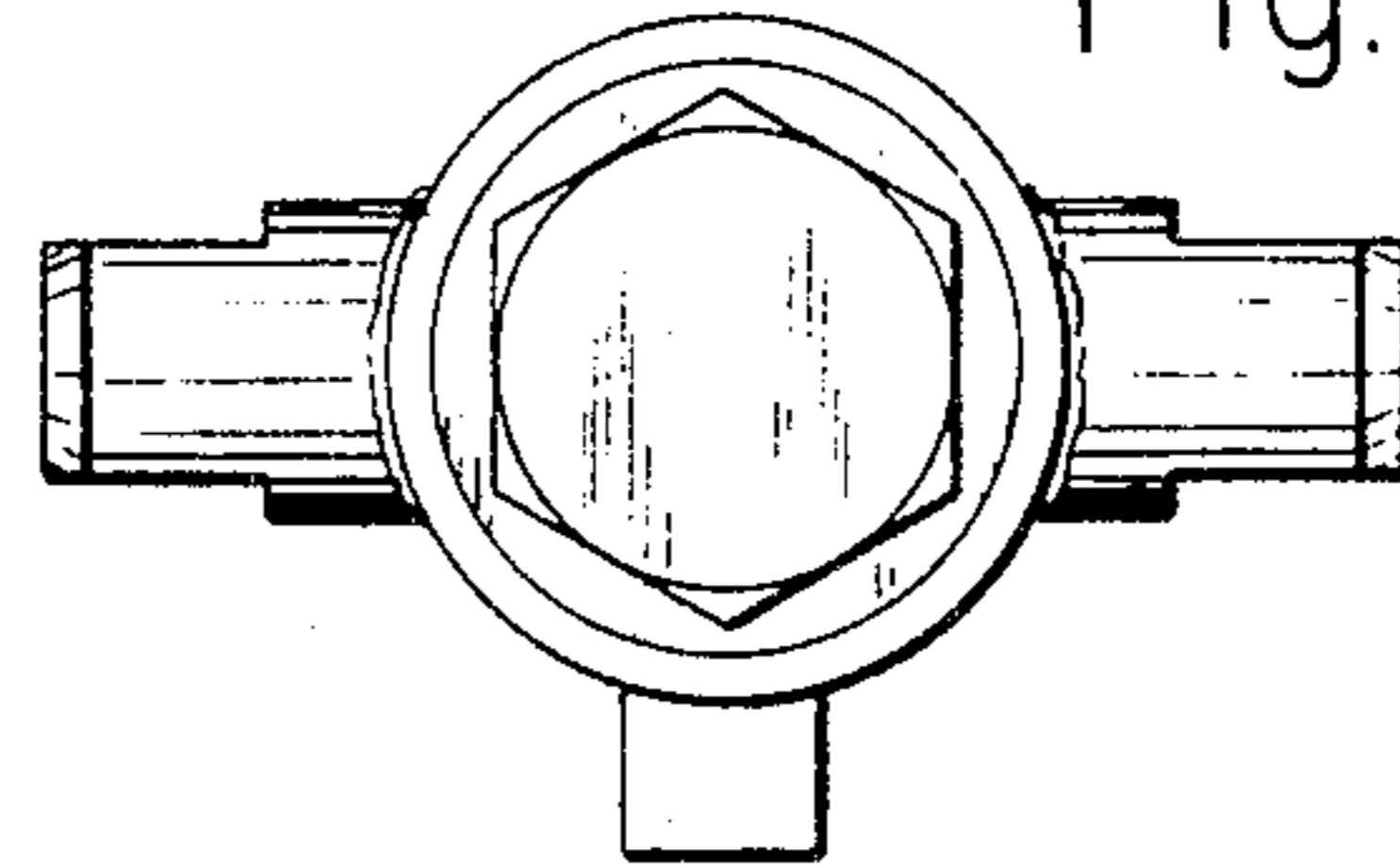


Fig. 3.

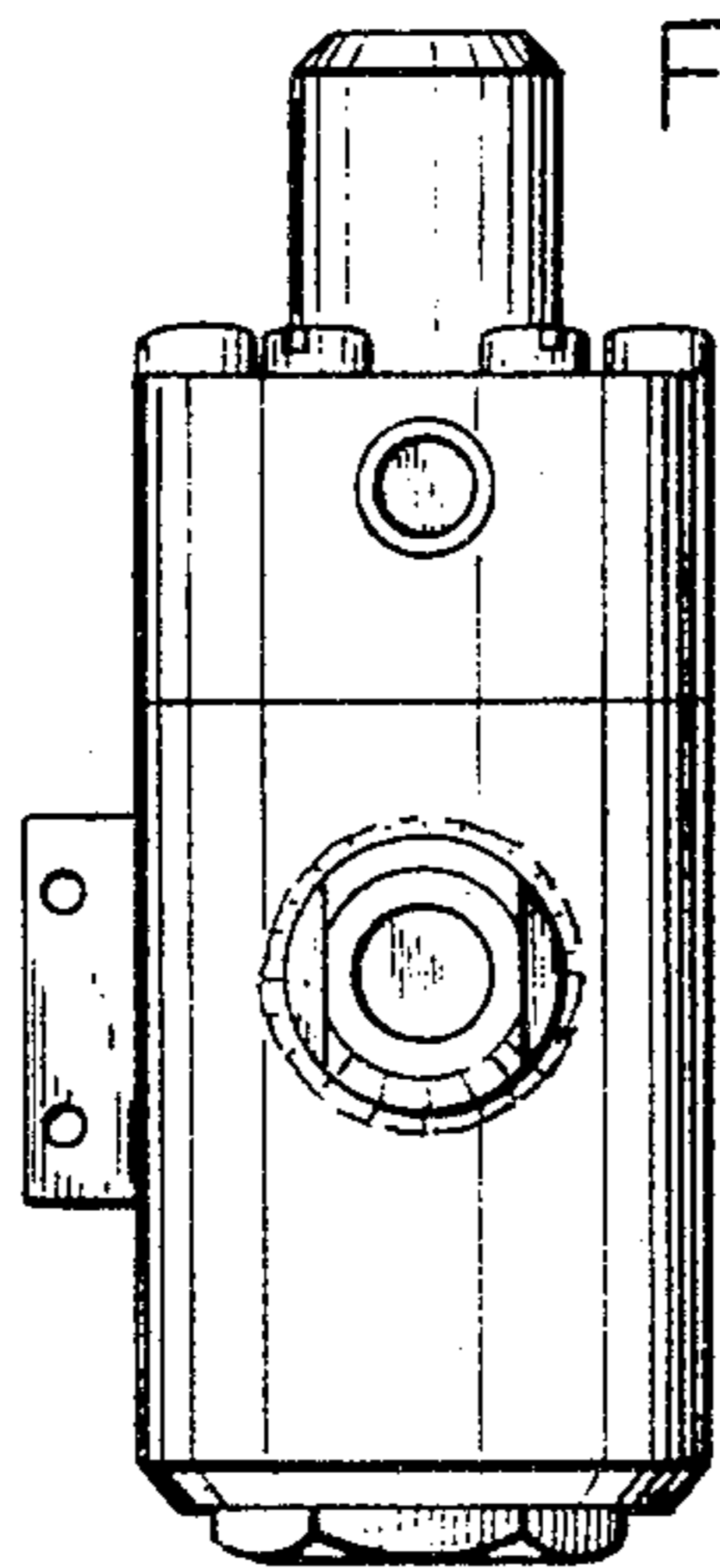


Fig. 4.

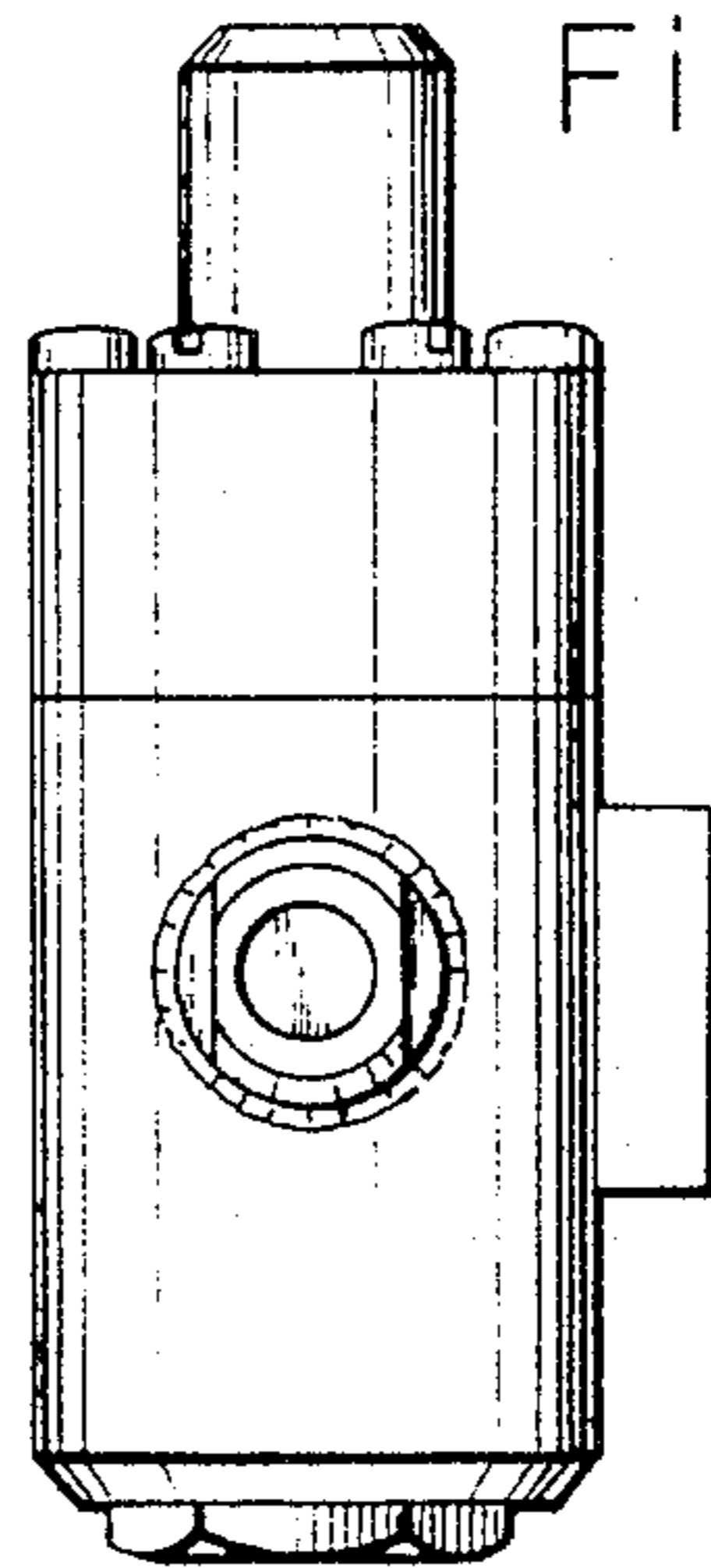


Fig. 5.

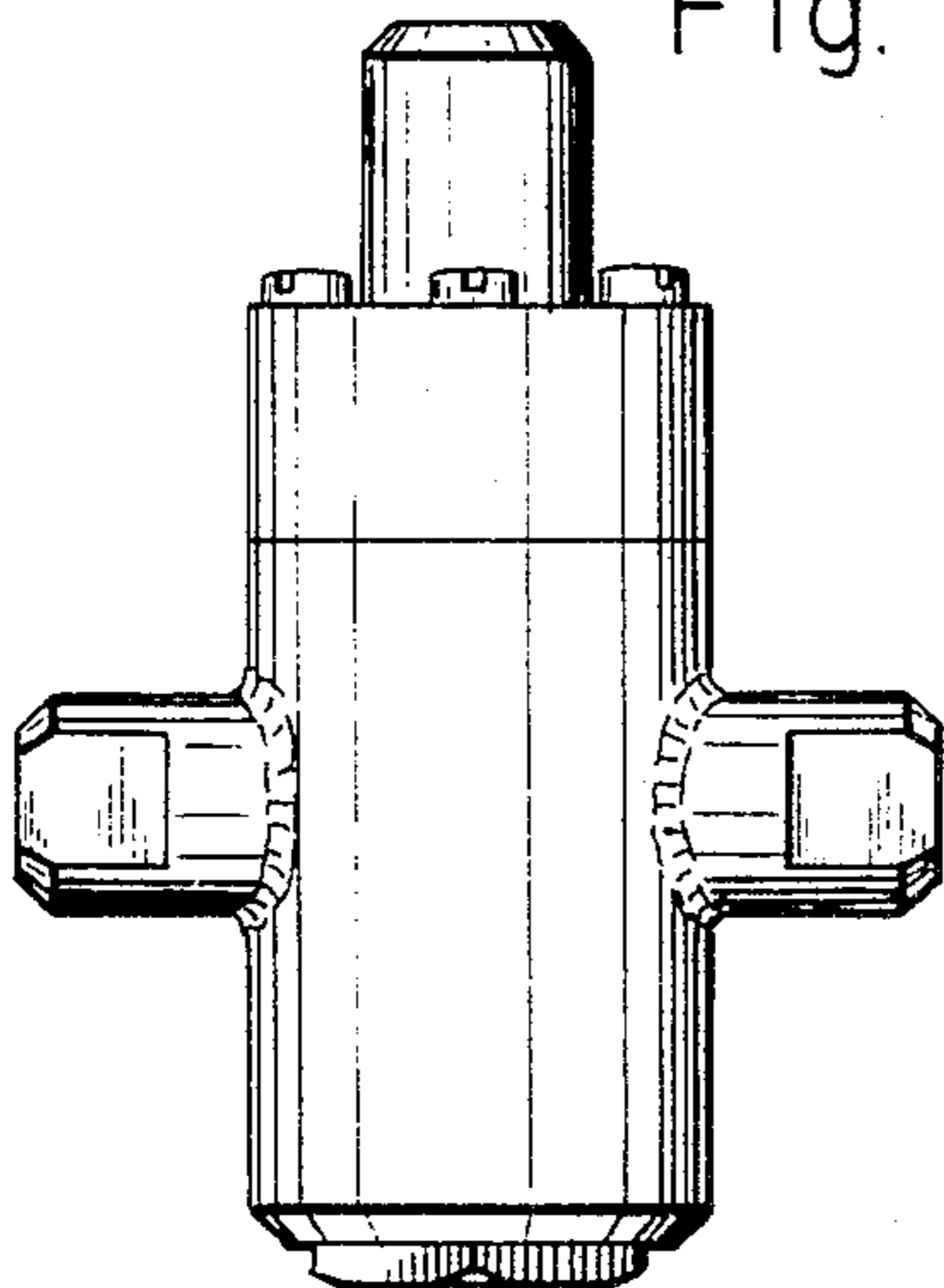


Fig. 6.

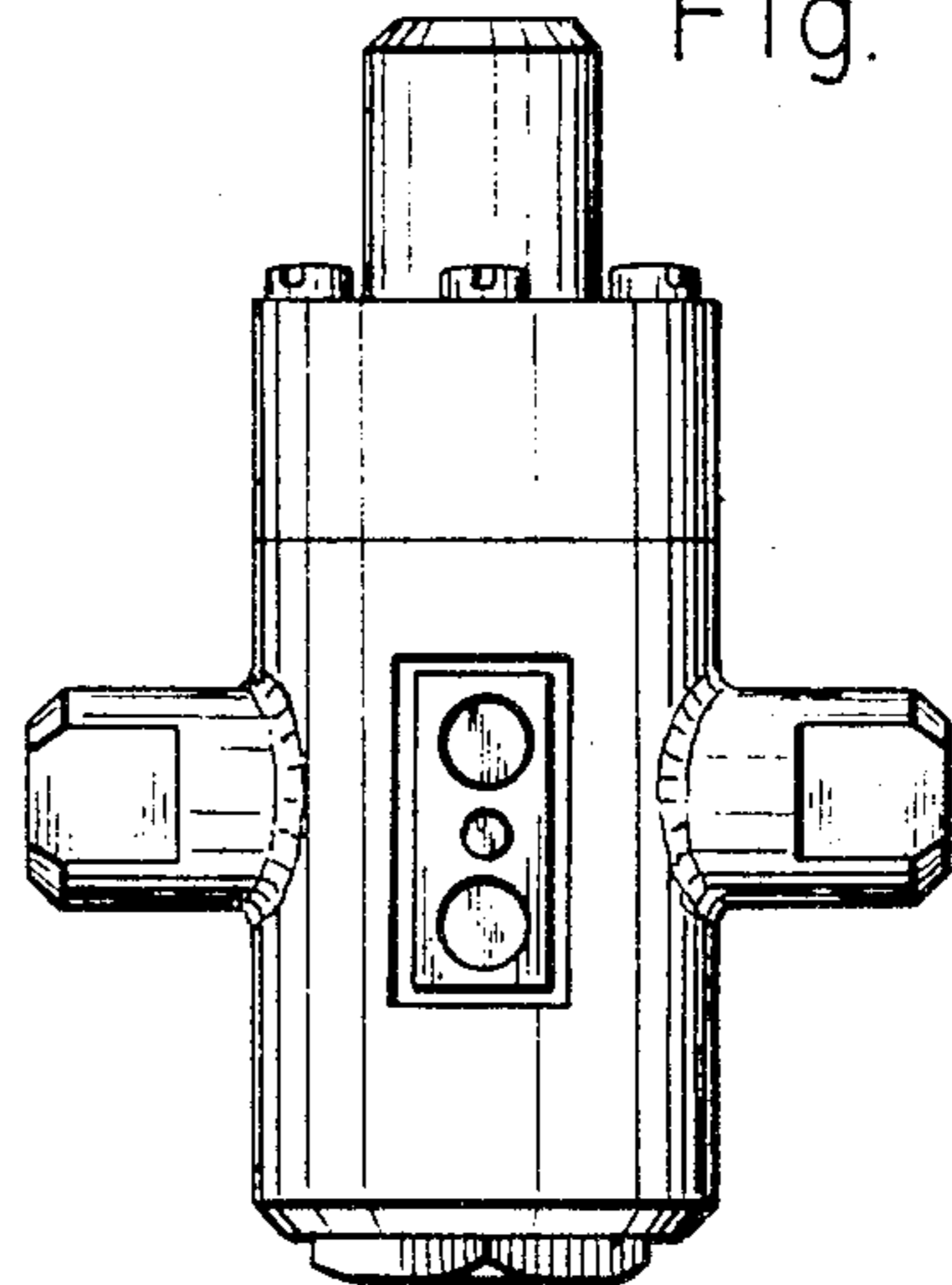


Fig. 7.