

[54] RECONFIGURABLE DINOSAURIAN TOY

[75] Inventor: Kouzin Ohno, Tokyo, Japan

[73] Assignee: Takara Co., Ltd., Tokyo, Japan

[**] Term: 14 Years

[21] Appl. No.: 616,597

[22] Filed: May 30, 1984

[30] Foreign Application Priority Data

Mar. 3, 1984 [JP] Japan 59-8152

[52] U.S. Cl. D21/150; D21/148

[58] Field of Search D21/148, 150; 446/97, 446/99, 321, 376, 487

[56] References Cited

U.S. PATENT DOCUMENTS

4,391,060 8/1981 Nakane 446/97

OTHER PUBLICATIONS

Playthings, Sep. 1979, p. 7, lower left, Three Horned Triceratops.

Primary Examiner—Melvin B. Feifer

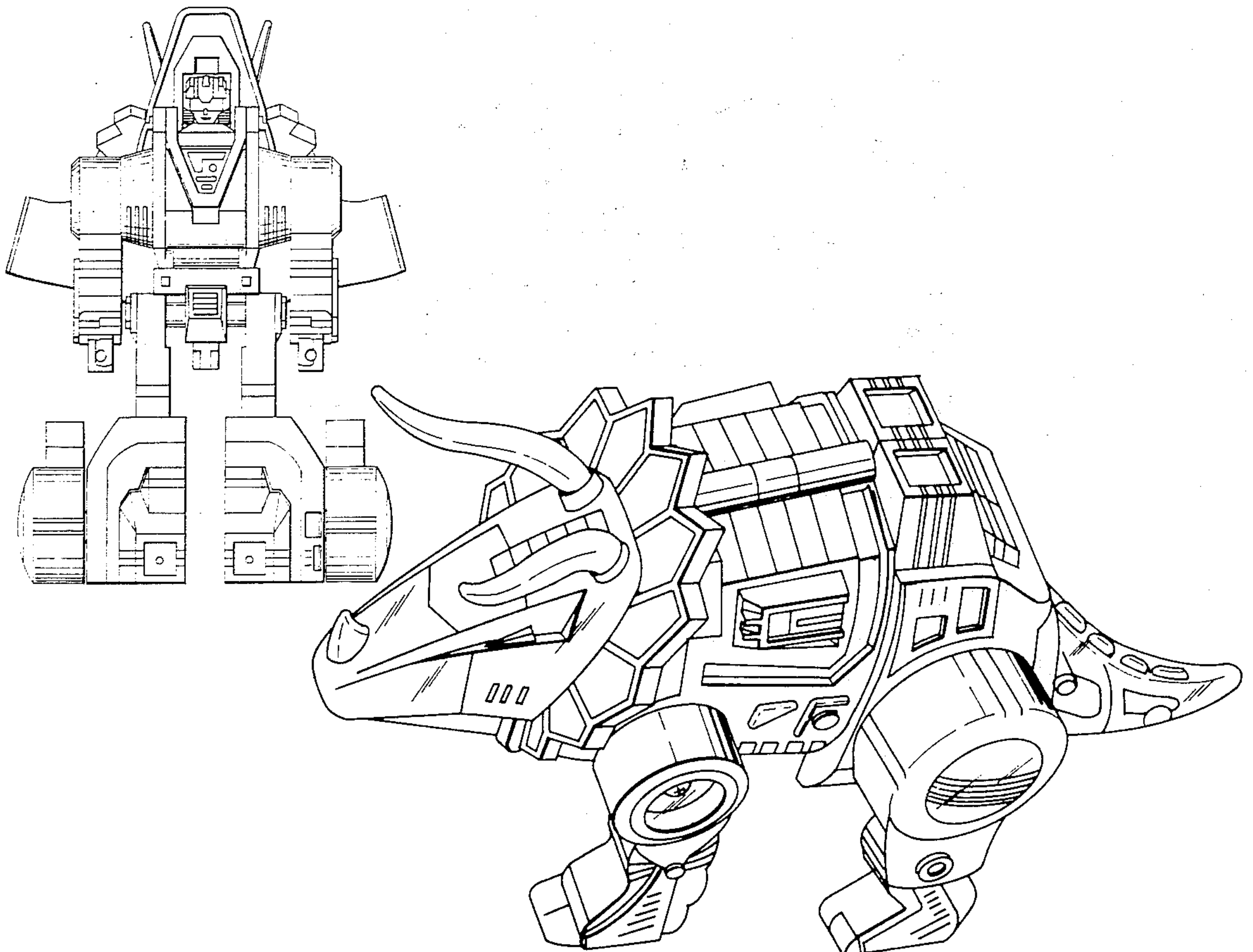
Attorney, Agent, or Firm—Price, Gess & Ubell

[57] CLAIM

The ornamental design for a reconfigurable dinosaurian toy, substantially as shown and described.

DESCRIPTION

FIG. 1 is a front elevational view of a reconfigurable dinosaurian toy showing my new design in a humanoid configuration; FIG. 2 is a rear elevational view; FIG. 3 is a right elevational side view; FIG. 4 is a left elevational side view; FIG. 5 is a top plan view; FIG. 6 is a bottom plan view; FIG. 7 is a front side perspective view; FIG. 8 is a front side perspective view of the toy being reconfigured into a dinosaurian configuration; FIG. 9 is a bottom side perspective view of the toy being reconfigured into a dinosaurian toy; FIG. 10 is a right side perspective view of the toy reconfigured into a dinosaurian toy; FIG. 11 is a rear side perspective view of the embodiment of FIG. 10; FIG. 12 is a front elevational view of the embodiment of FIG. 10; FIG. 13 is a rear elevational view of the embodiment of FIG. 10; FIG. 14 is a right elevational side view which is a mirror image of the left elevational side view of the embodiment of FIG. 10; FIG. 15 is a top plan view of the embodiment of FIG. 10; and FIG. 16 is a bottom plan view of the embodiment of FIG. 10.



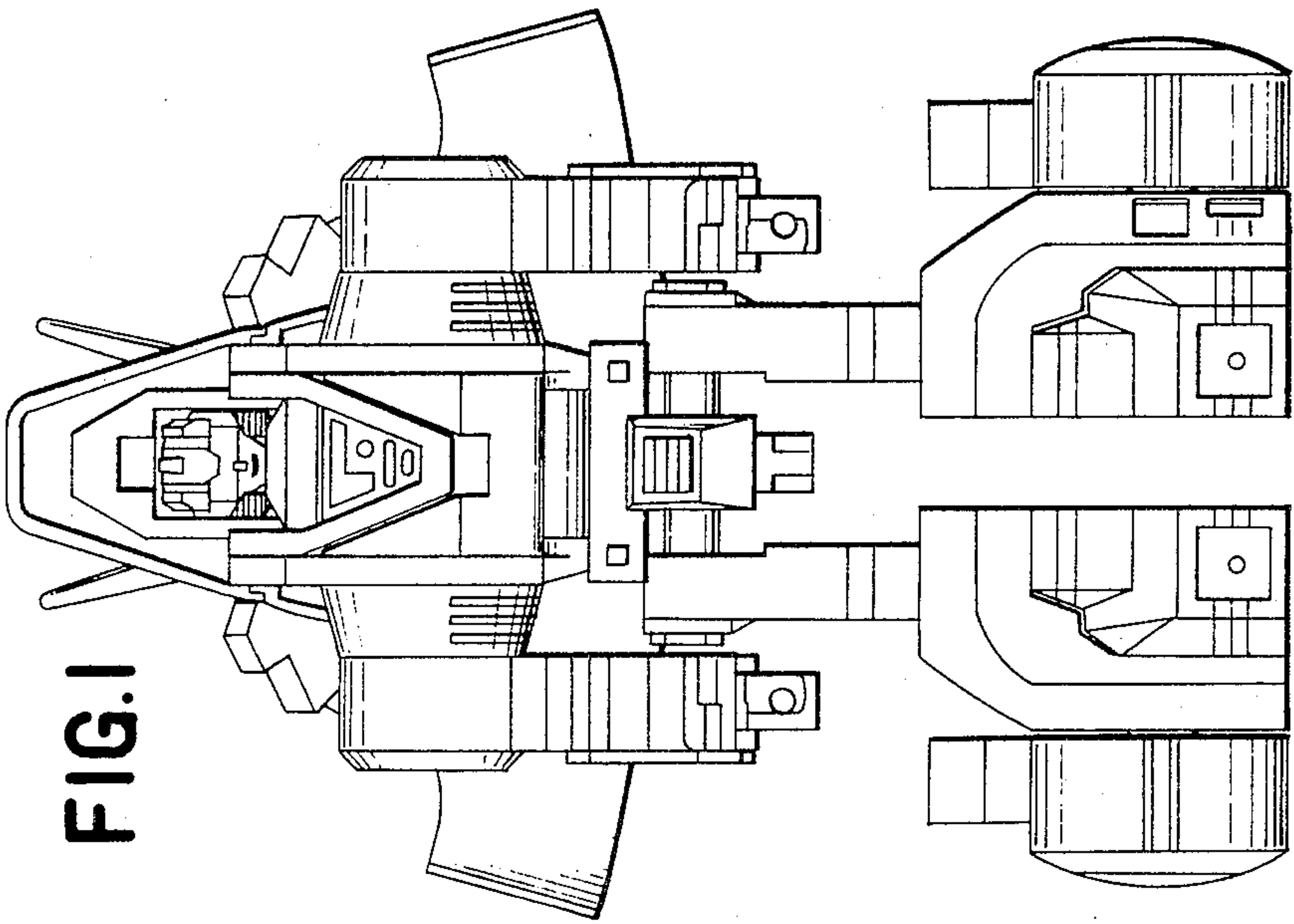
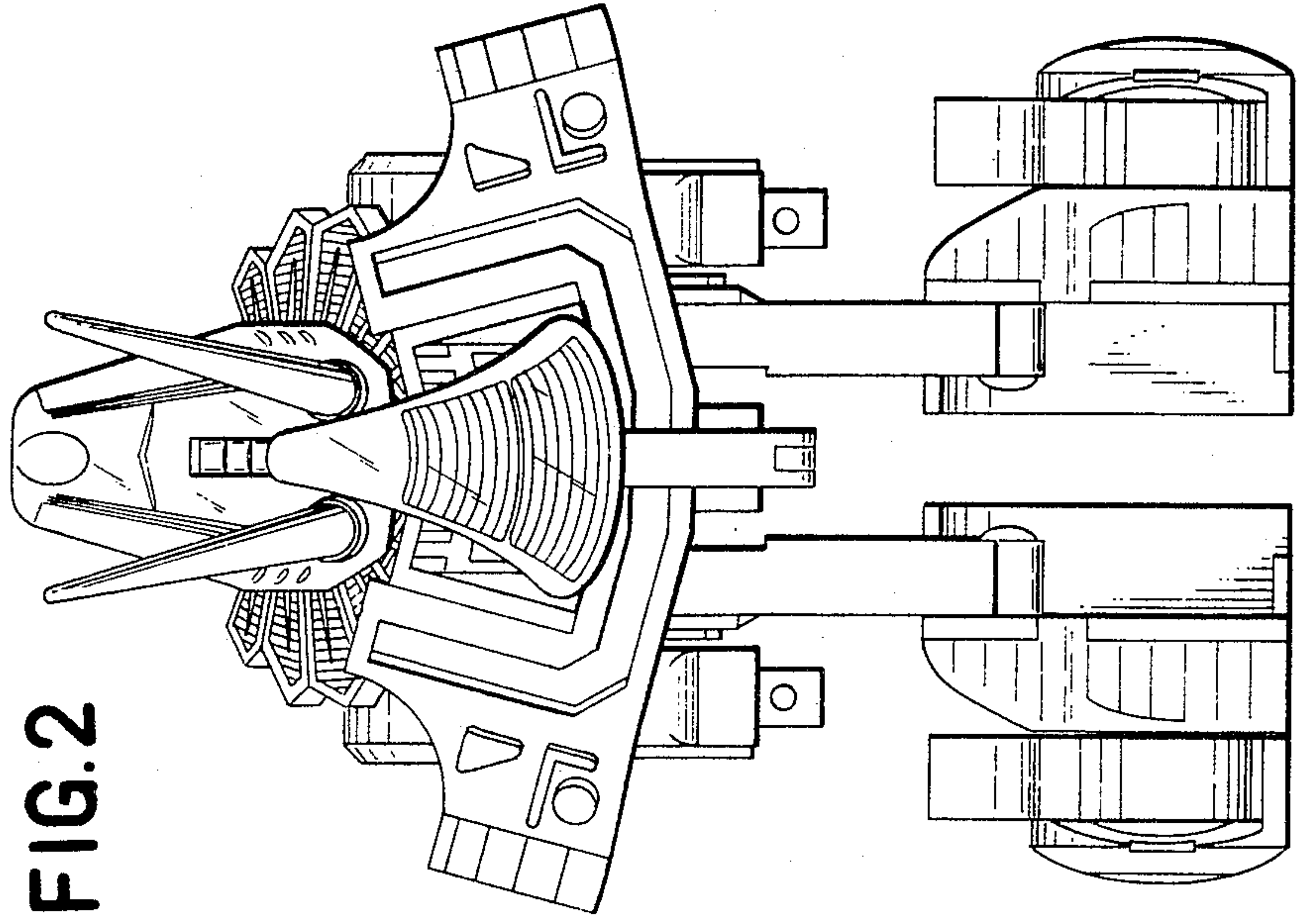


FIG.3

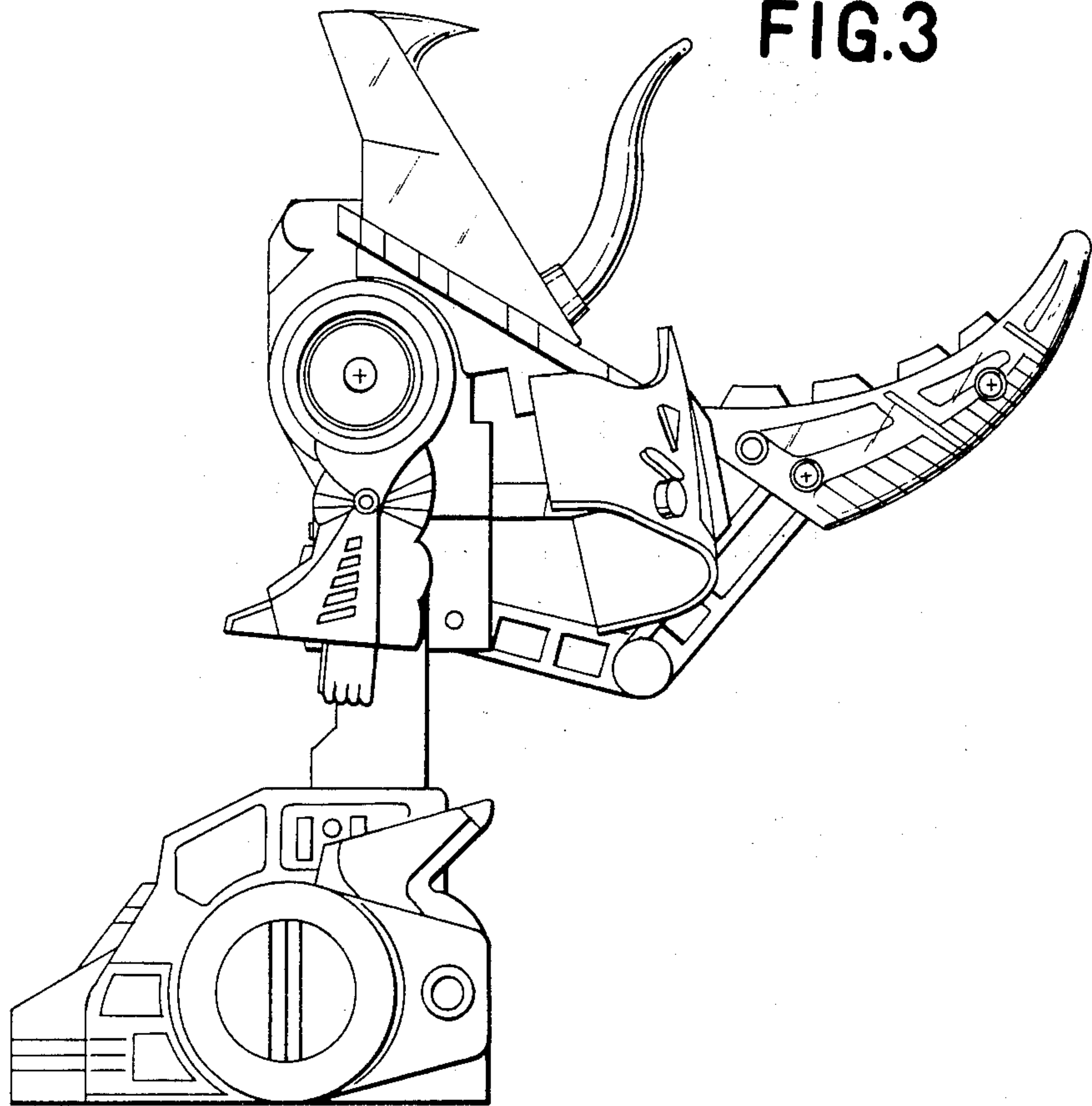
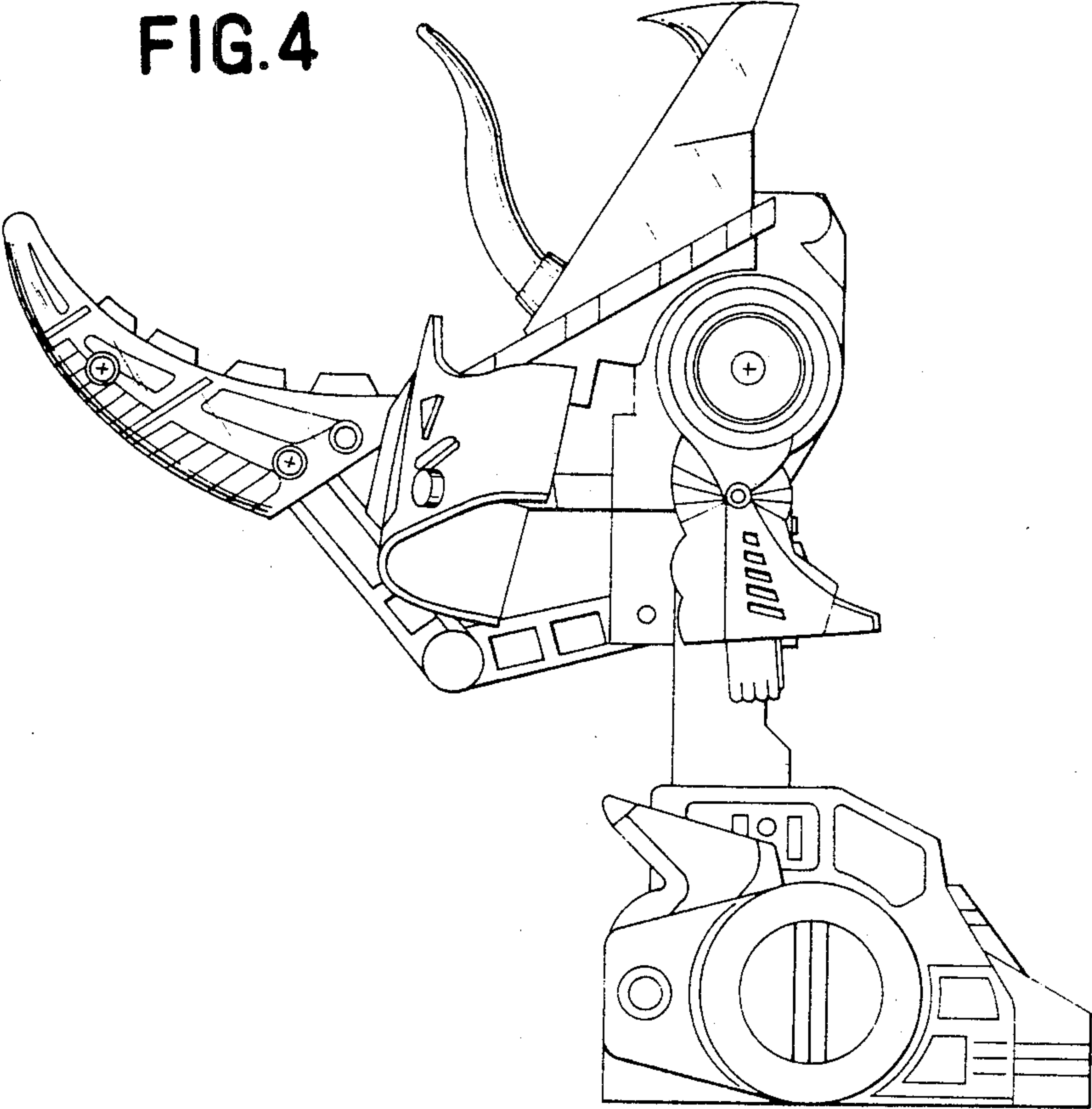


FIG. 4



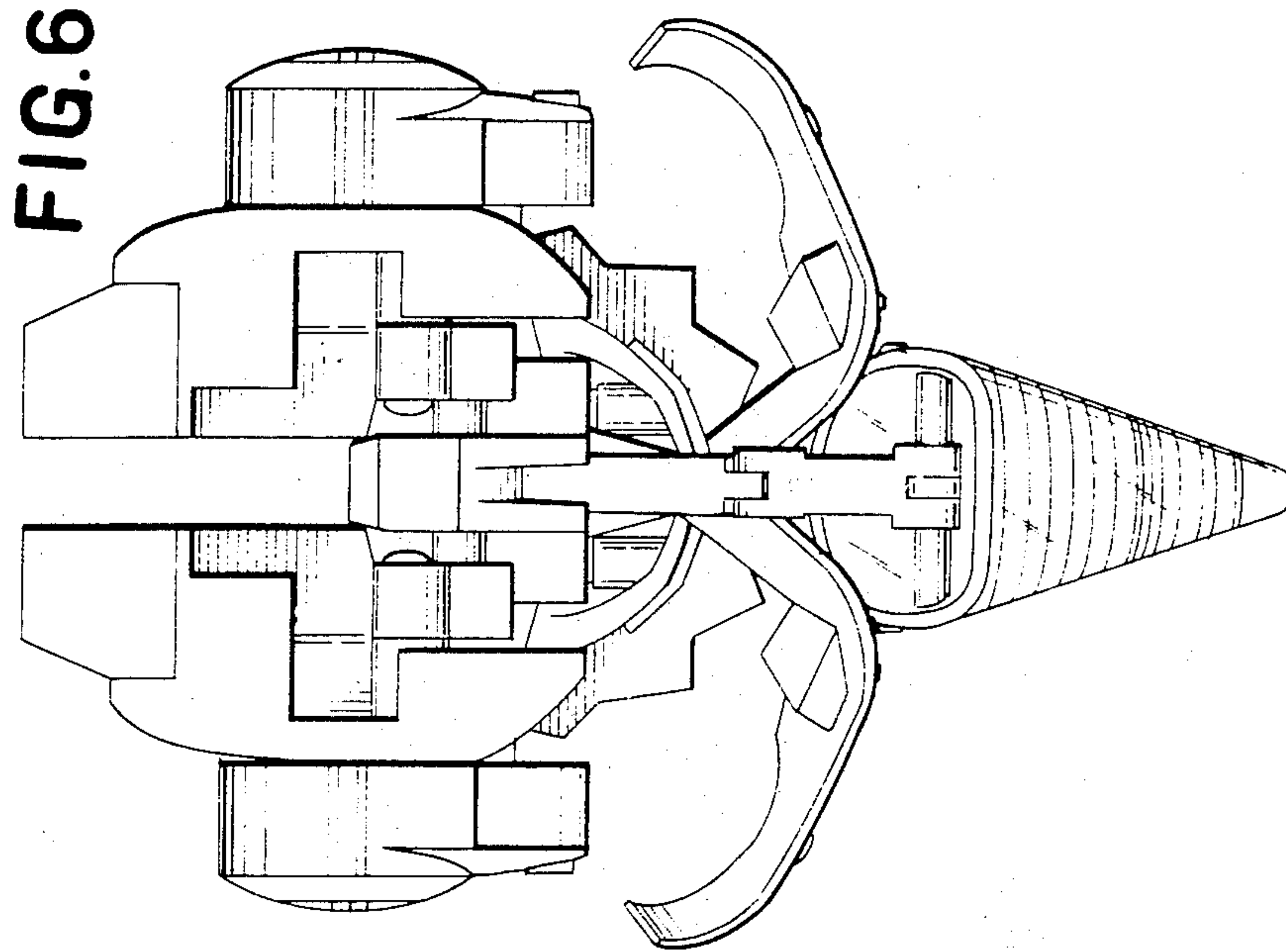


FIG. 6

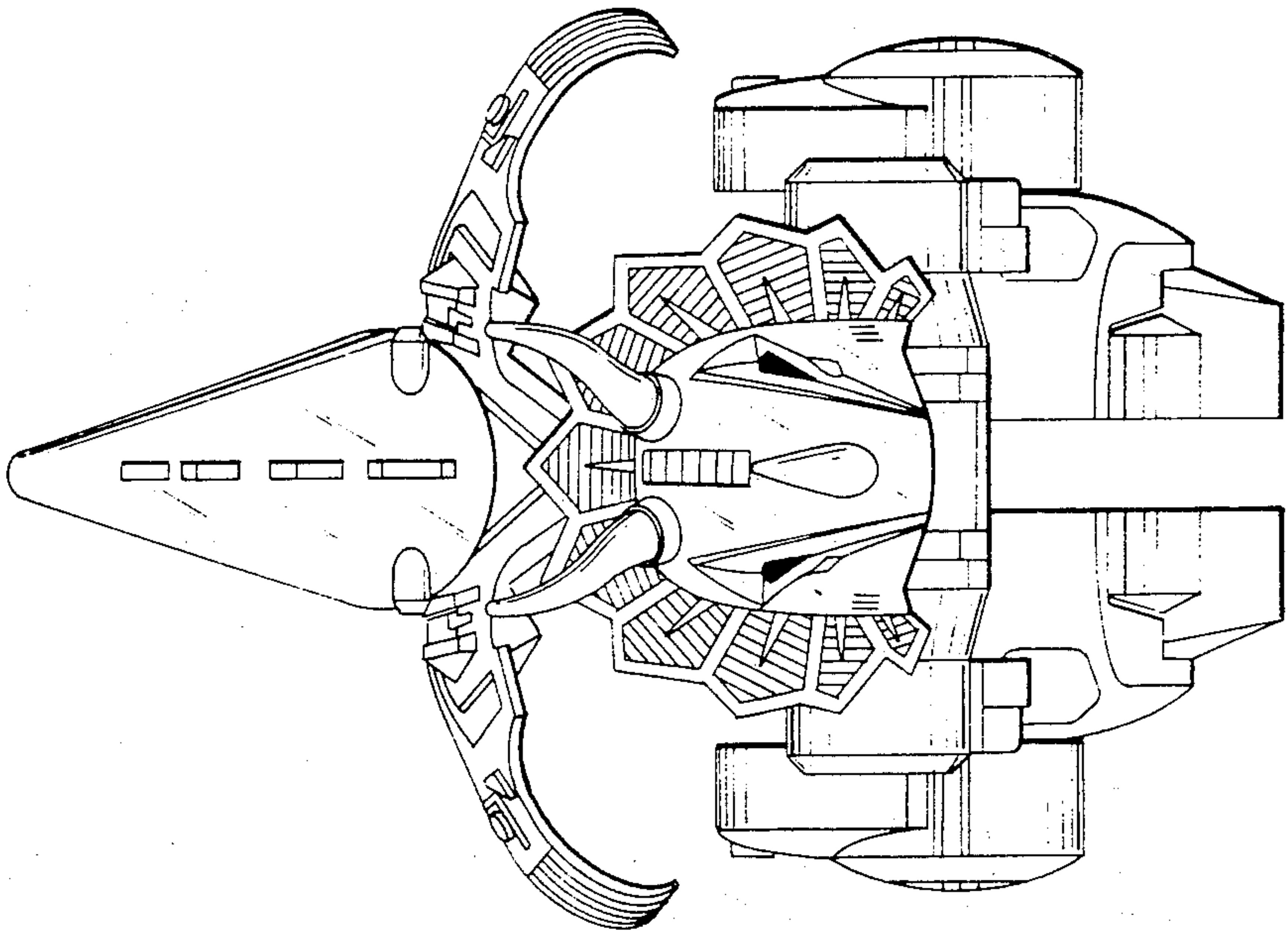


FIG. 5

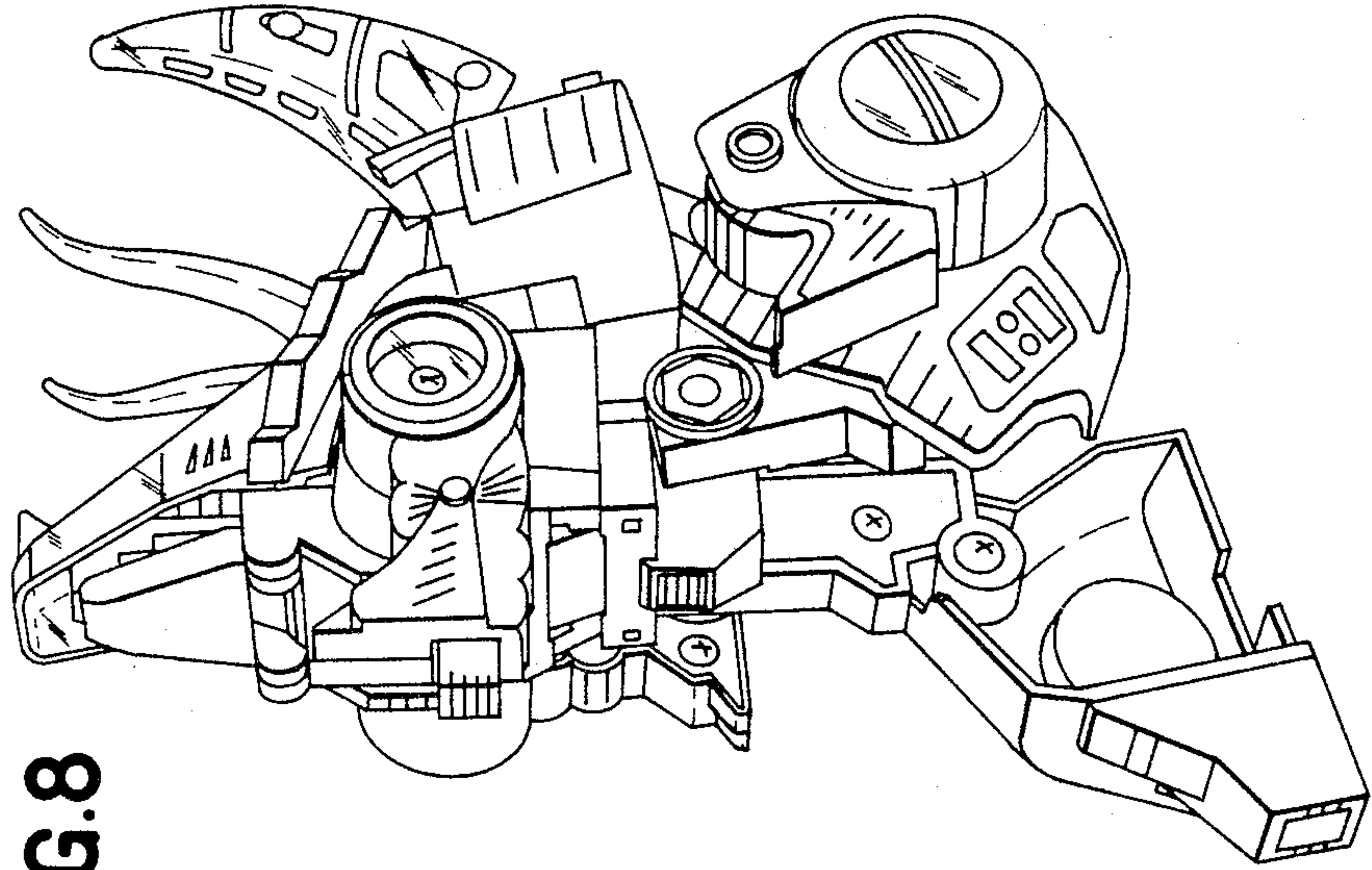


FIG. 8

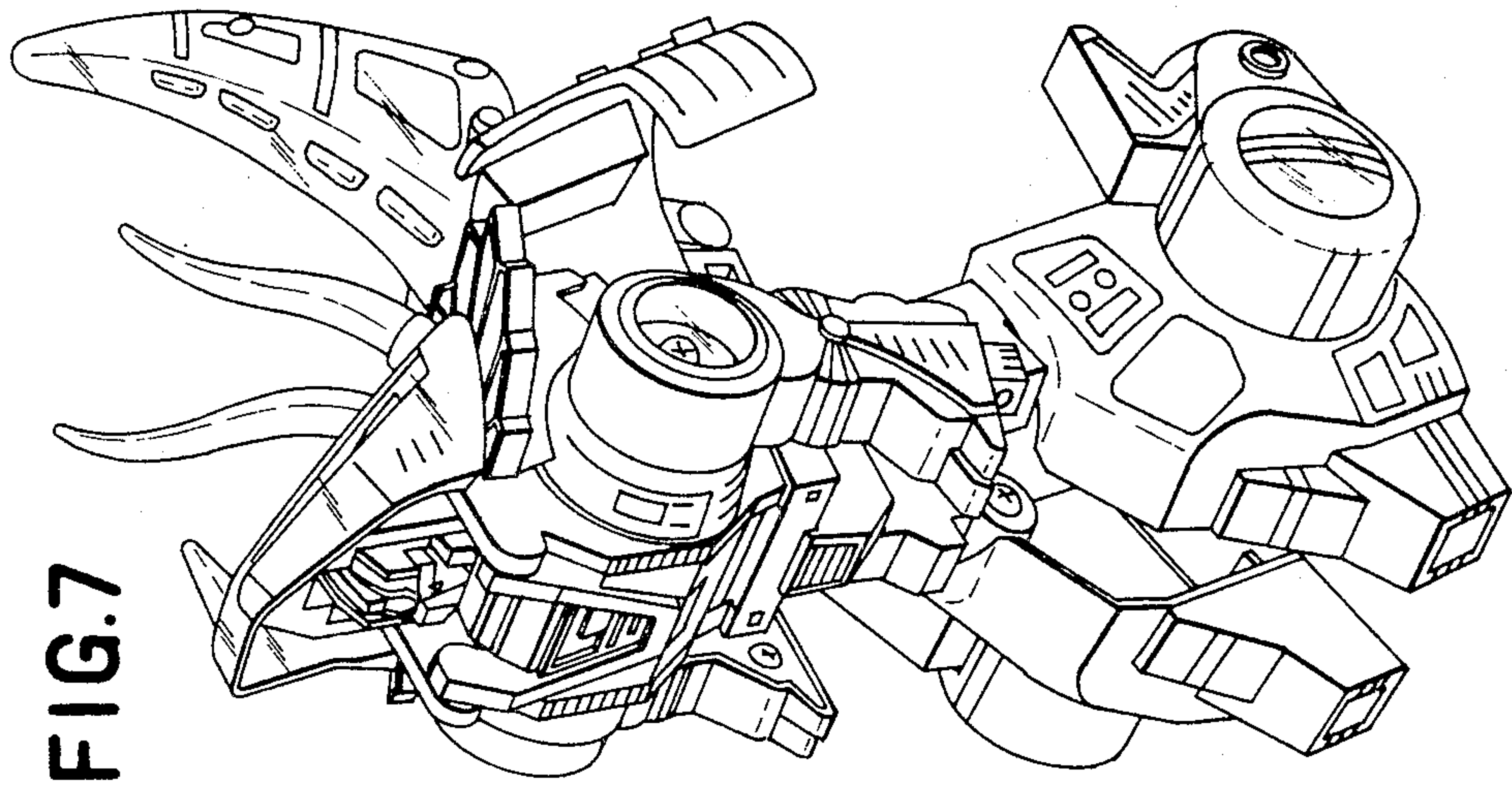


FIG. 7

FIG.9

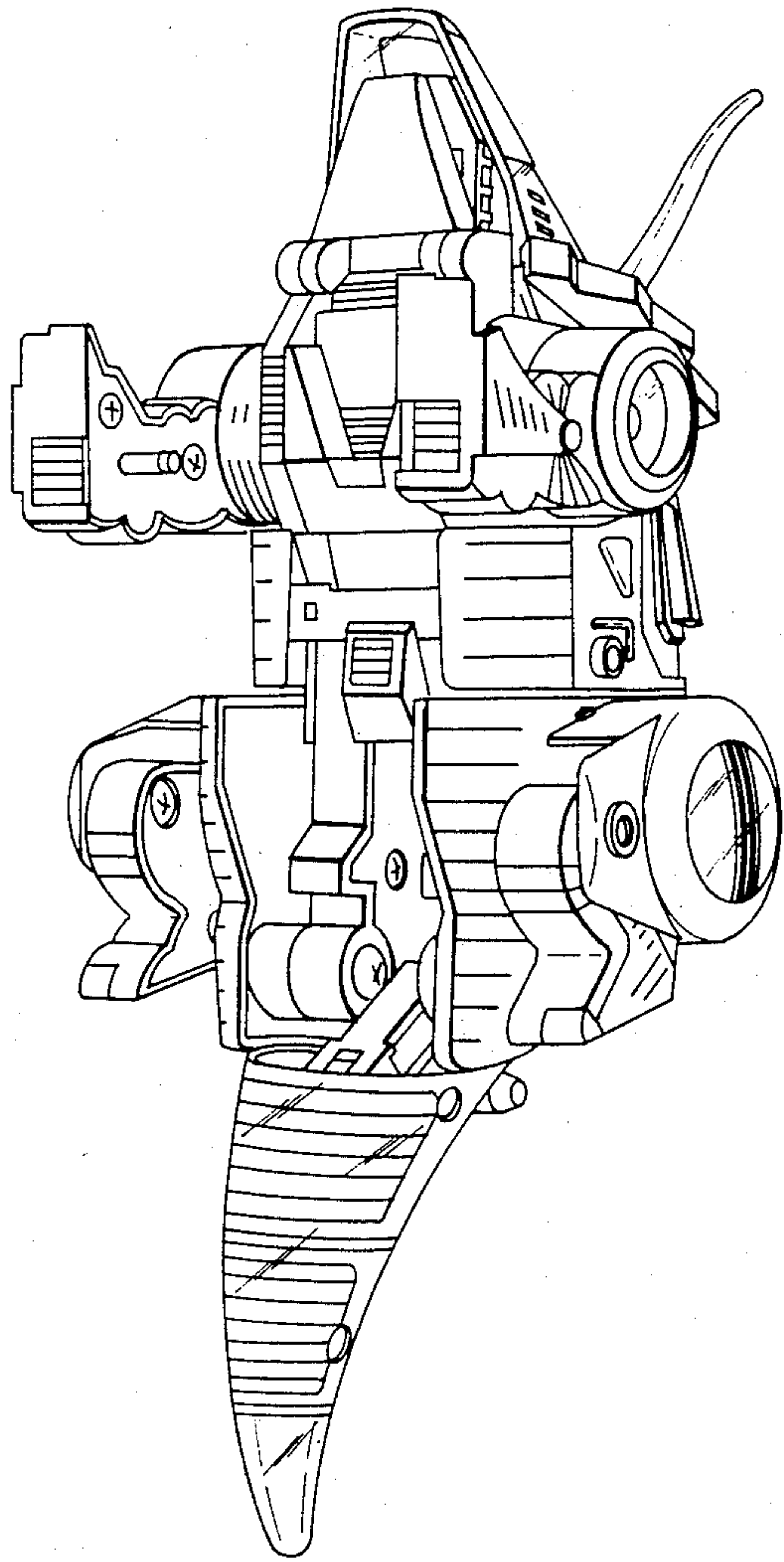


FIG.10

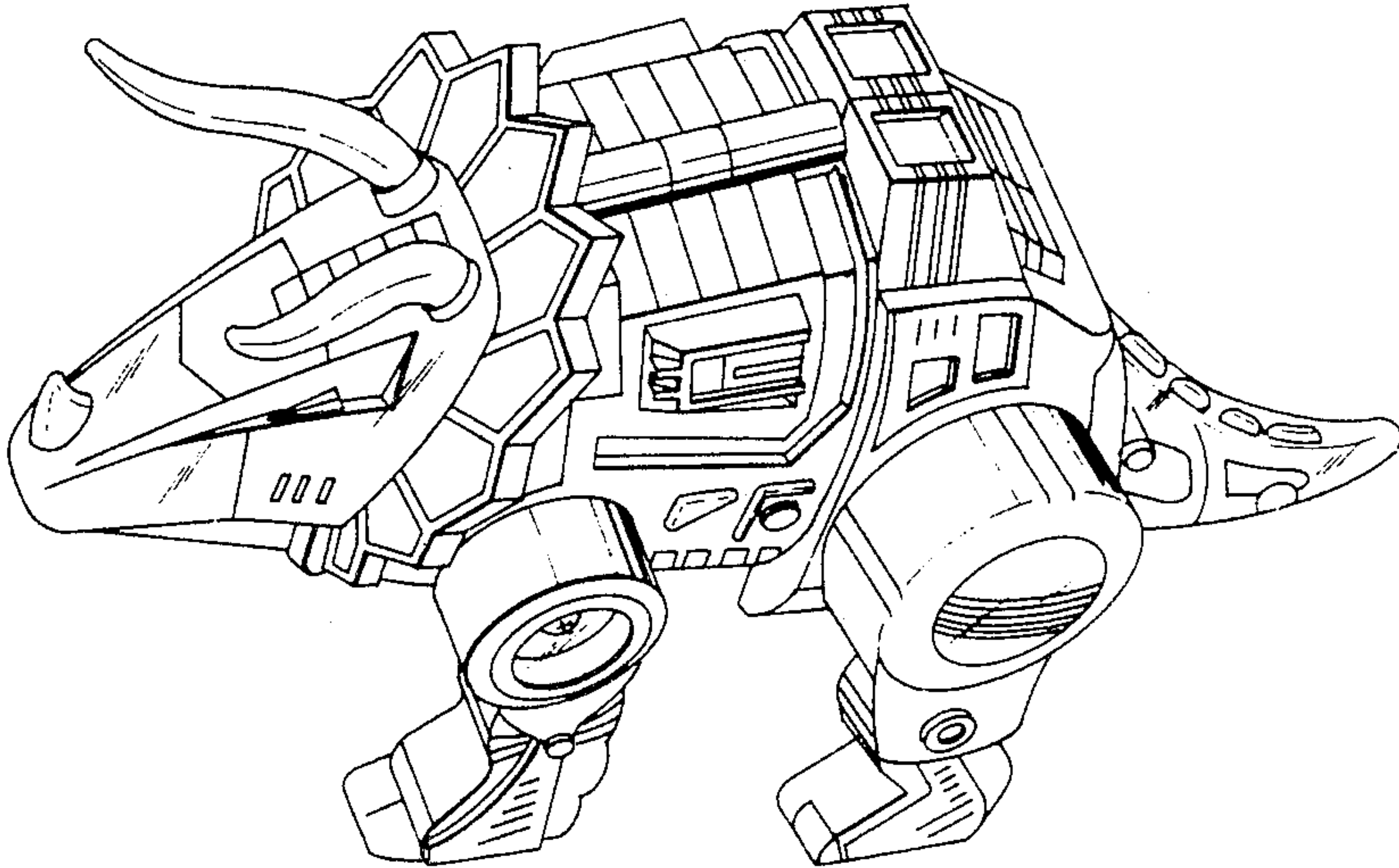


FIG.11

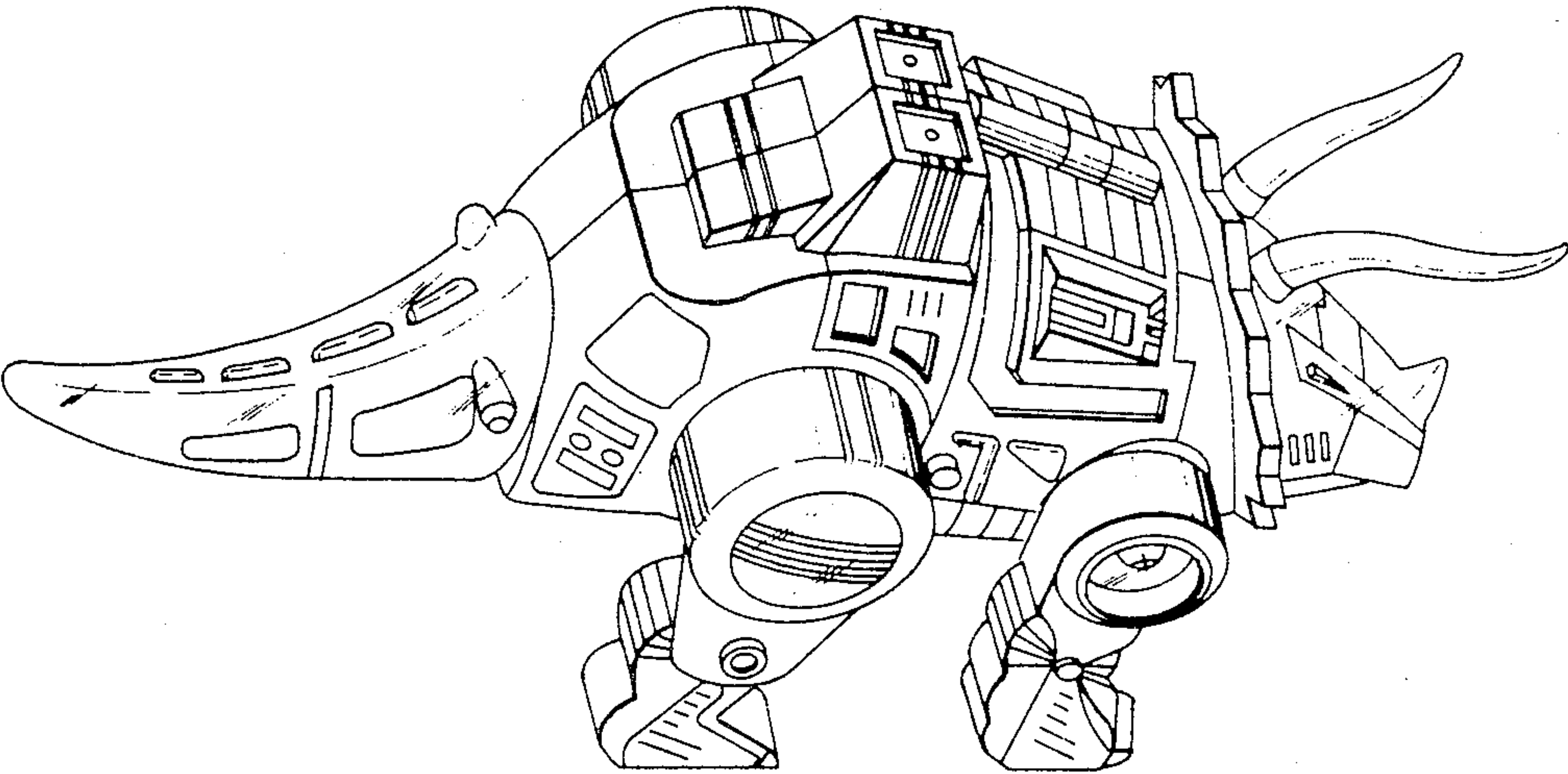


FIG.12

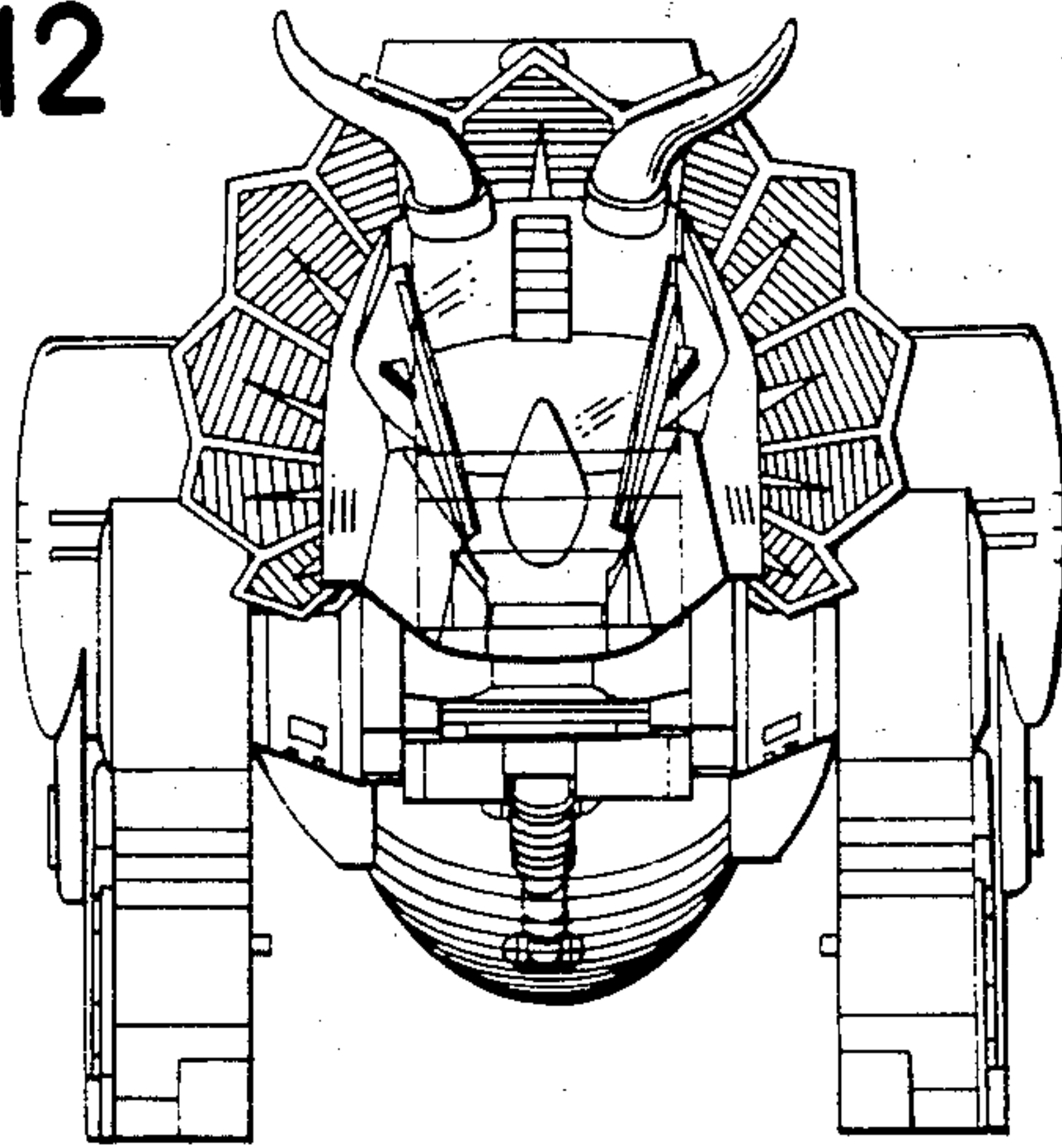


FIG.13

