

[54] COMBINED PACKAGED COFFEE VENDING MACHINE AND ACCESSORIES STORAGE CABINET

[75] Inventors: Peter H. Oakley, Marlow; Michael B. Woodhall, Maidenhead; Terence W. Gander, Bracknell, all of United Kingdom

[73] Assignee: Mars G.B. Limited, London, England

[**] Term: 14 Years

[21] Appl. No.: 610,384

[22] Filed: May 15, 1984

[30] Foreign Application Priority Data

Nov. 23, 1983 [GB] United Kingdom 1016455

[52] U.S. Cl. D20/4; D7/309

[58] Field of Search D7/300, 305, 306-313; D20/1, 4, 5

[56] References Cited

U.S. PATENT DOCUMENTS

D. 97,871 12/1935 Seitz D7/306

D. 107,215	11/1937	Bond	D20/4
D. 185,833	8/1959	Bruntjen	D7/311
D. 254,255	2/1980	Kiser	D7/305
D. 260,996	9/1981	Cornett	D7/308
D. 277,538	2/1985	Jack	D7/309

Primary Examiner—Winifred E. Herrmann
Attorney, Agent, or Firm—Curtis, Morris & Safford

[57] CLAIM

The ornamental design for a combined packaged coffee vending machine and accessories storage cabinet, as shown and described.

DESCRIPTION

FIG. 1 is a top, front, and right side perspective view of a combined packaged coffee vending machine and accessories storage cabinet showing our new design; FIG. 2 is a rear elevational view thereof; FIG. 3 is a right side elevational view thereof, the side opposite is a mirror image thereof; FIG. 4 is a top plan view thereof; FIG. 5 is a front elevational view thereof on an enlarged scale; and FIG. 6 is a bottom plan view thereof on an enlarged scale.

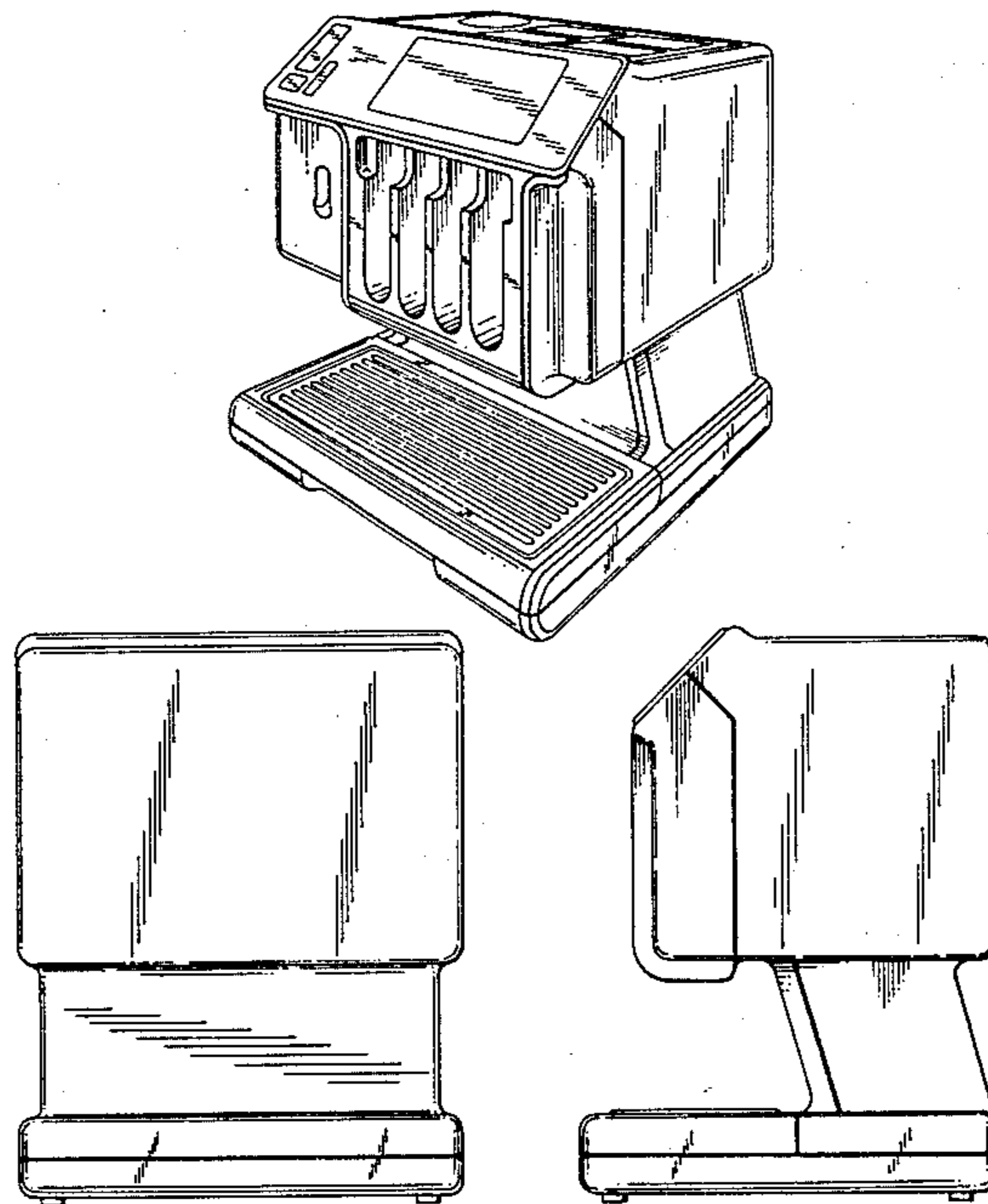


FIG. 1

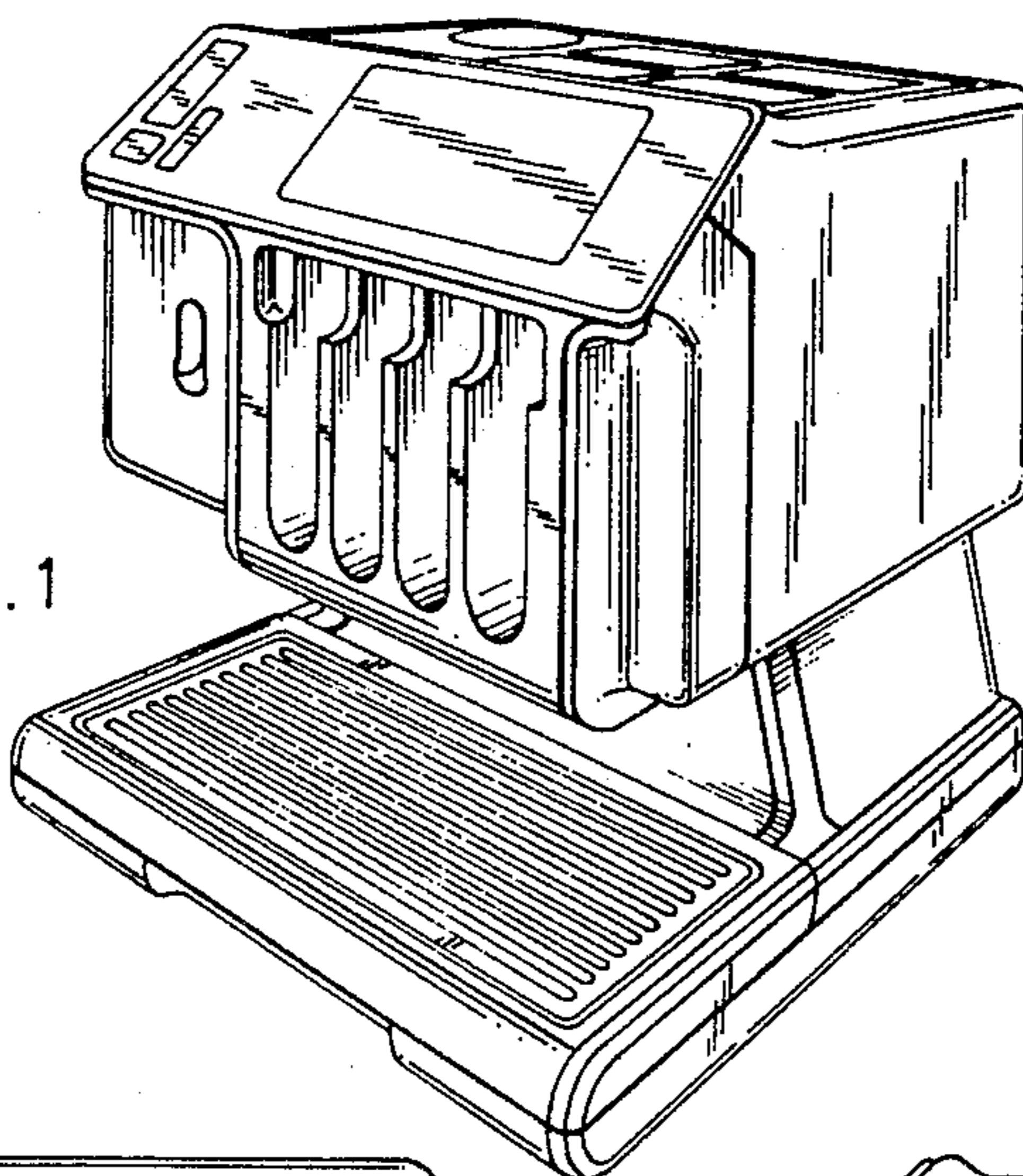


FIG. 2

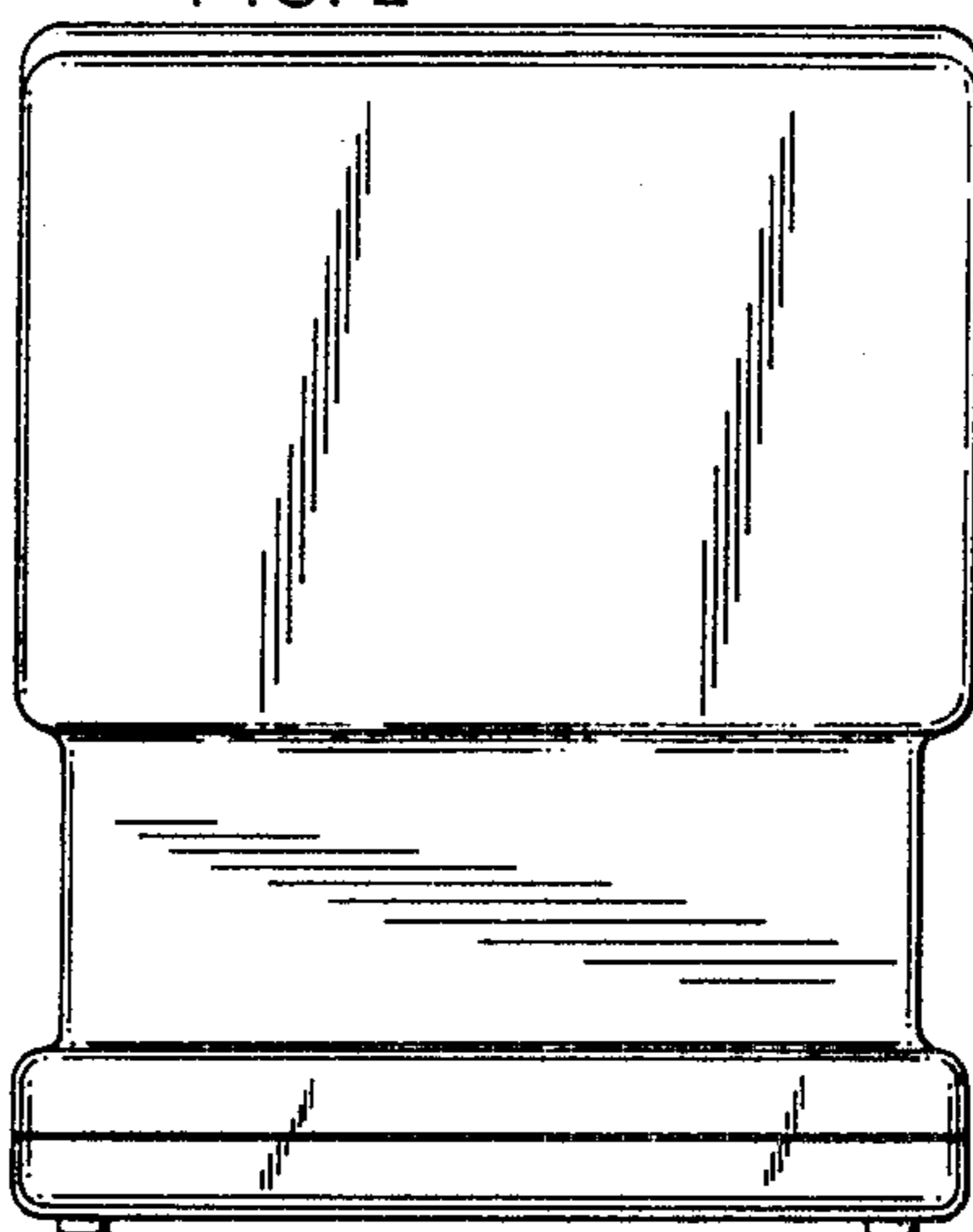


FIG. 3

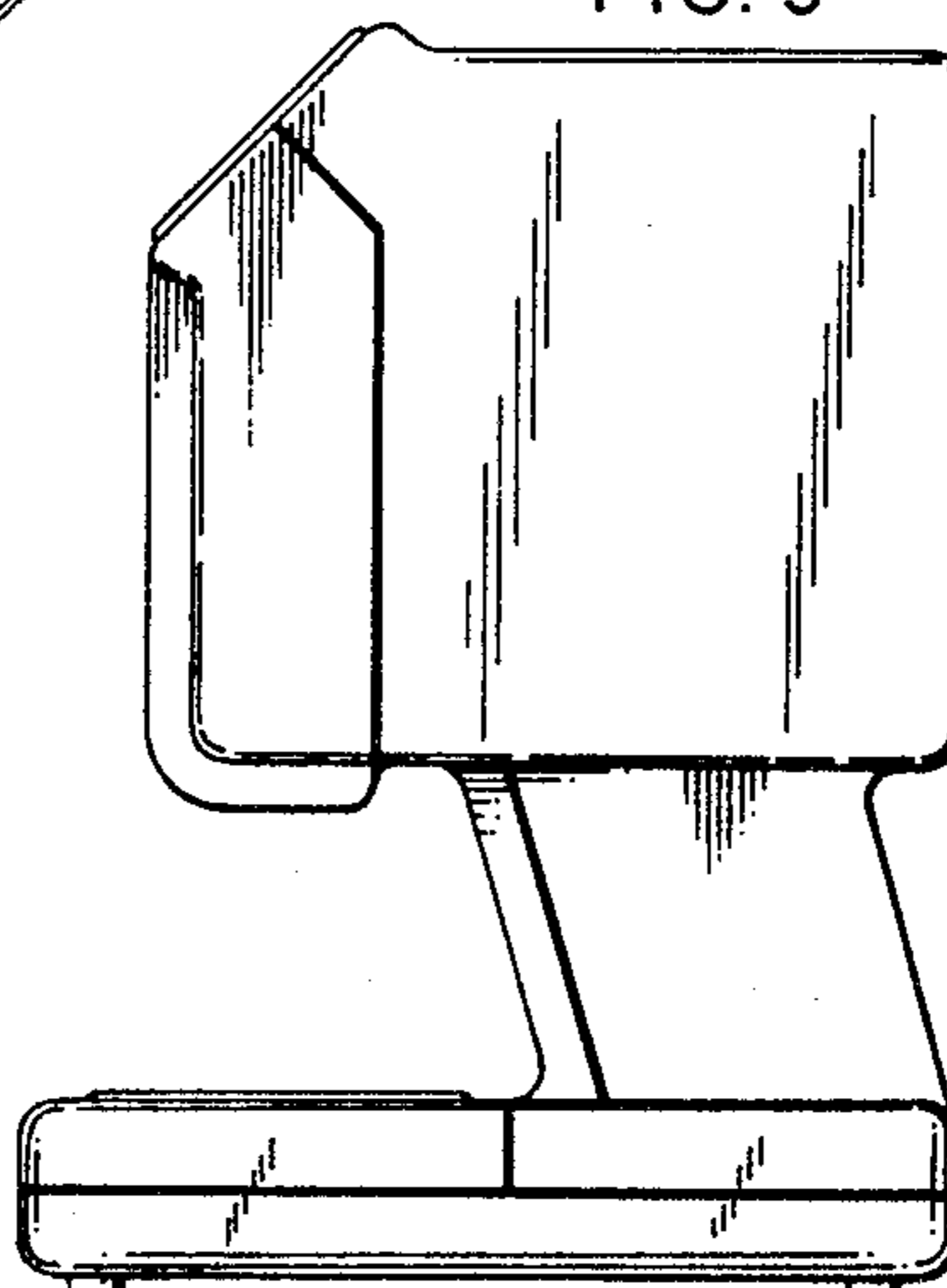
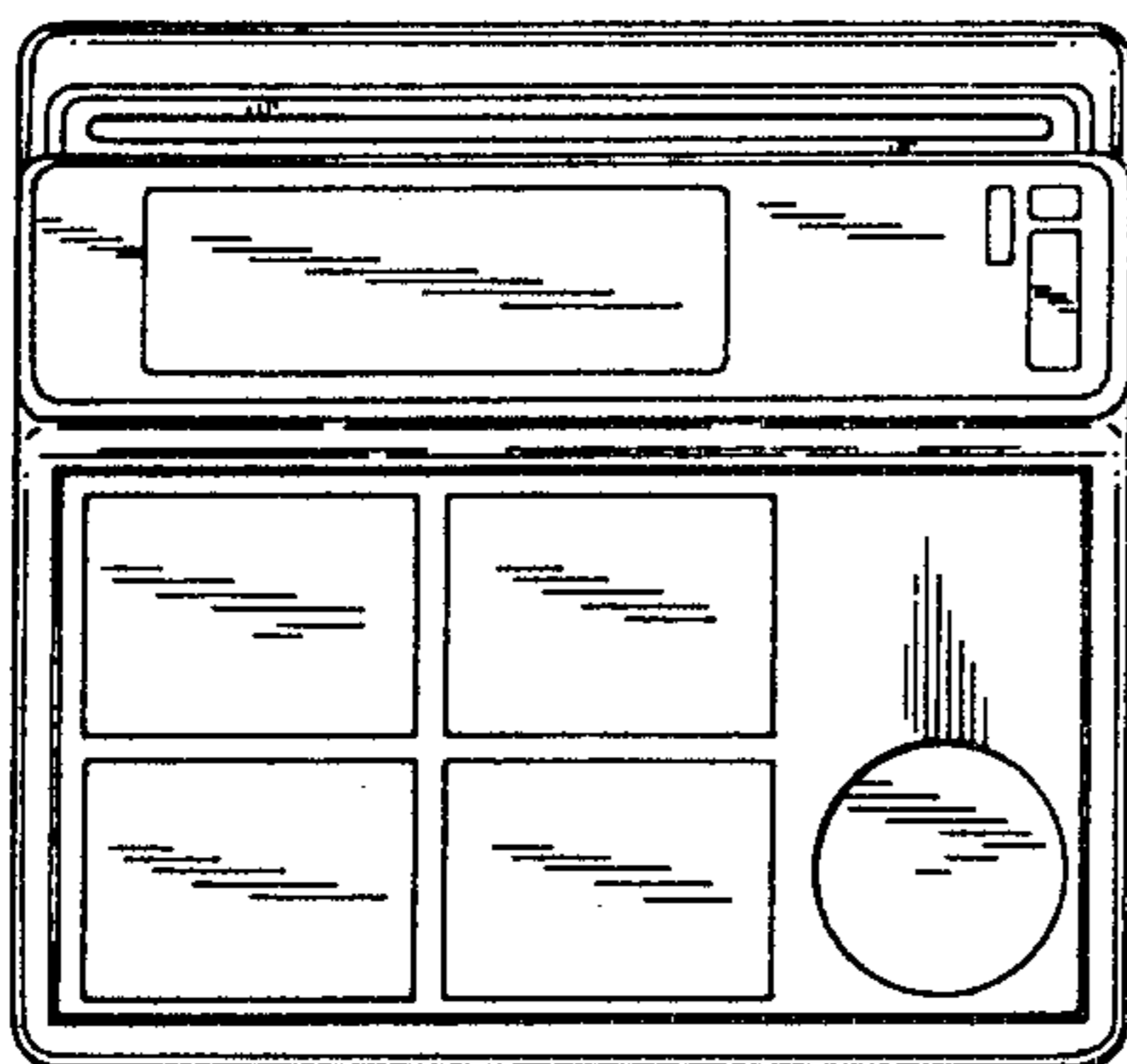


FIG. 4



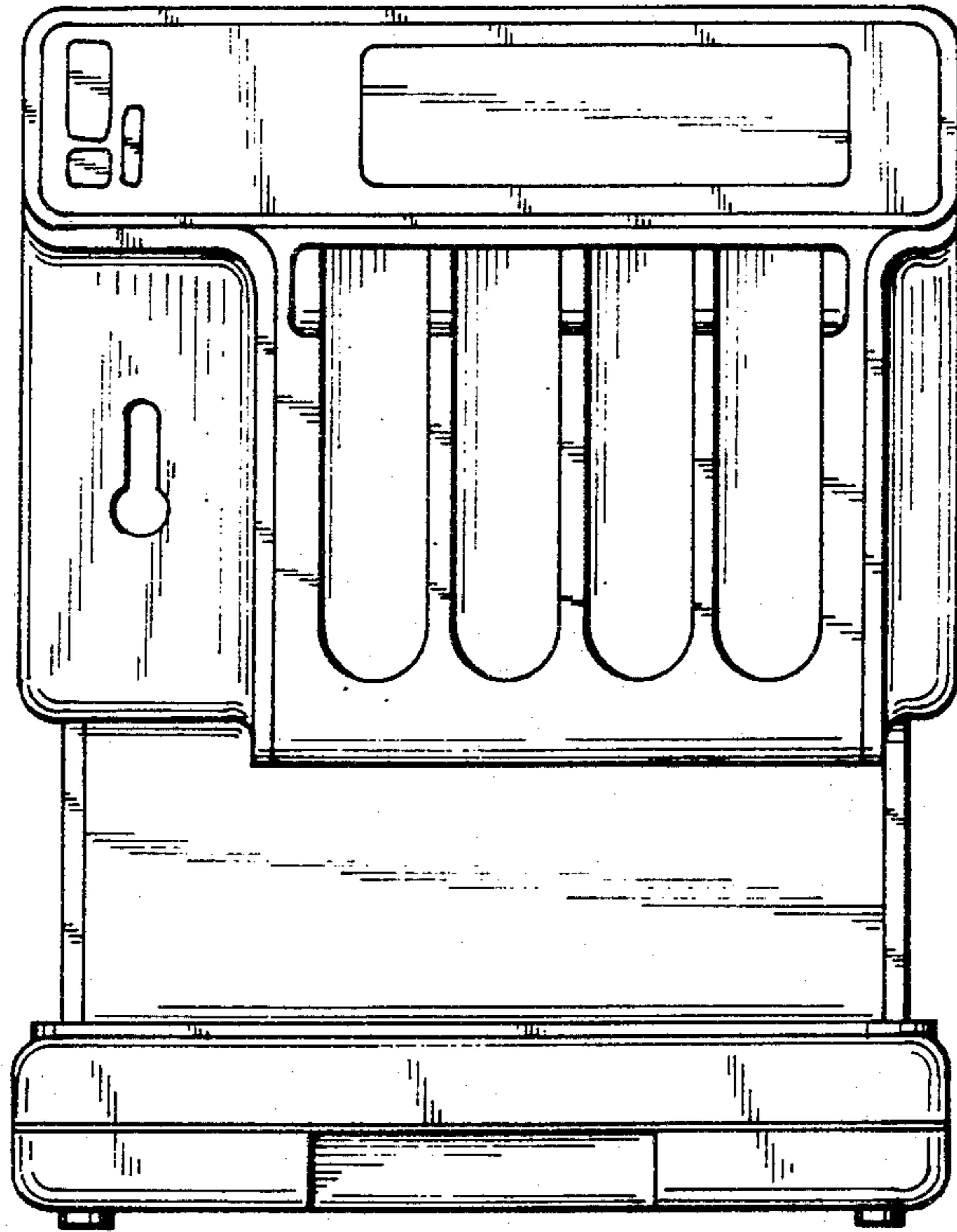


FIG. 5

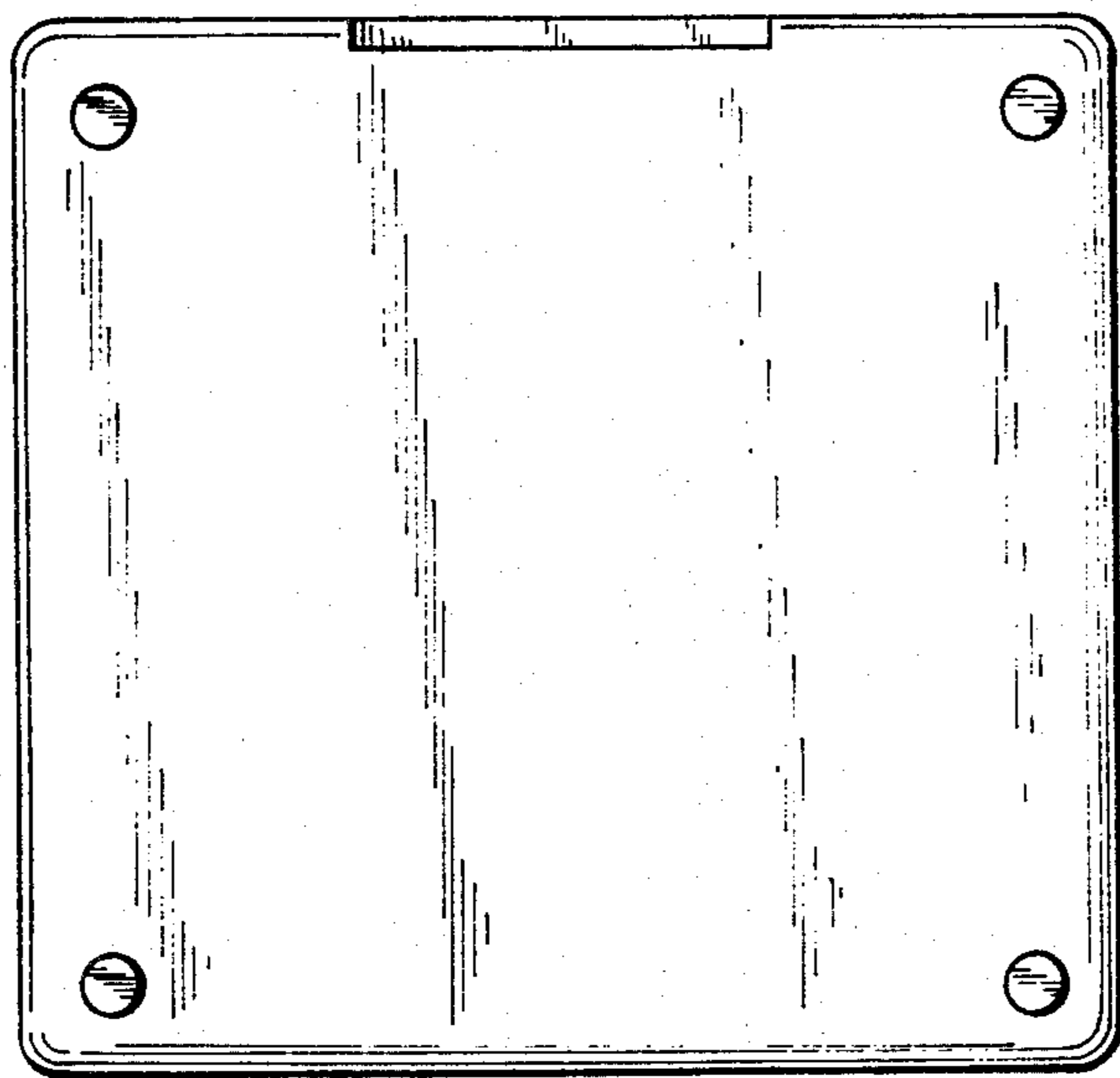


FIG. 6