

[54] DEVELOPING UNIT FOR AN ELECTROGRAPHIC COPIER

[75] Inventor: Nobuo Masaki, Tokyo, Japan

[73] Assignee: Canon Kabushiki Kaisha, Tokyo, Japan

[\*\*] Term: 14 Years

[21] Appl. No.: 595,989

[22] Filed: Apr. 2, 1984

[30] Foreign Application Priority Data

Oct. 5, 1983 [JP] Japan ..... 58-43302
[52] U.S. Cl. .... D16/32
[58] Field of Search ..... D16/27-32, D16/38; 355/3 R, 3 DR, 3 DD, 11, 14

[56] References Cited

U.S. PATENT DOCUMENTS
D. 272,251 1/1984 Yoshihama ..... D16/32
D. 276,916 12/1984 Masaki ..... D16/32
4,218,126 8/1980 Takechi ..... 355/3 R

4,219,272 8/1980 Bruckel ..... 355/3 DR X
4,277,162 7/1981 Kasahara ..... 355/3 R X
4,386,838 6/1983 Hirabayashi ..... 355/3 DR
4,511,237 4/1985 Kawata ..... 355/3 R
4,523,834 6/1985 Pelda ..... 355/3 DD
4,530,588 7/1985 Kimura ..... 355/3 DR
4,540,268 9/1985 Yoyono ..... 355/3 DR X

Primary Examiner—Nelson C. Holtje
Attorney, Agent, or Firm—Fitzpatrick, Cella, Harper & Scinto

[57] CLAIM

The ornamental design for a developing unit for an electrographic copier, as shown.

DESCRIPTION

FIG. 1 is a front elevational view of a developing unit for an electrographic copier showing my new design; FIG. 2 is a rear elevational view thereof; FIG. 3 is a top plan view thereof; FIG. 4 is a bottom plan view thereof; FIG. 5 is a left side elevational view thereof; FIG. 6 is a right side elevational view thereof; FIG. 7 is a top and left-front perspective view thereof.

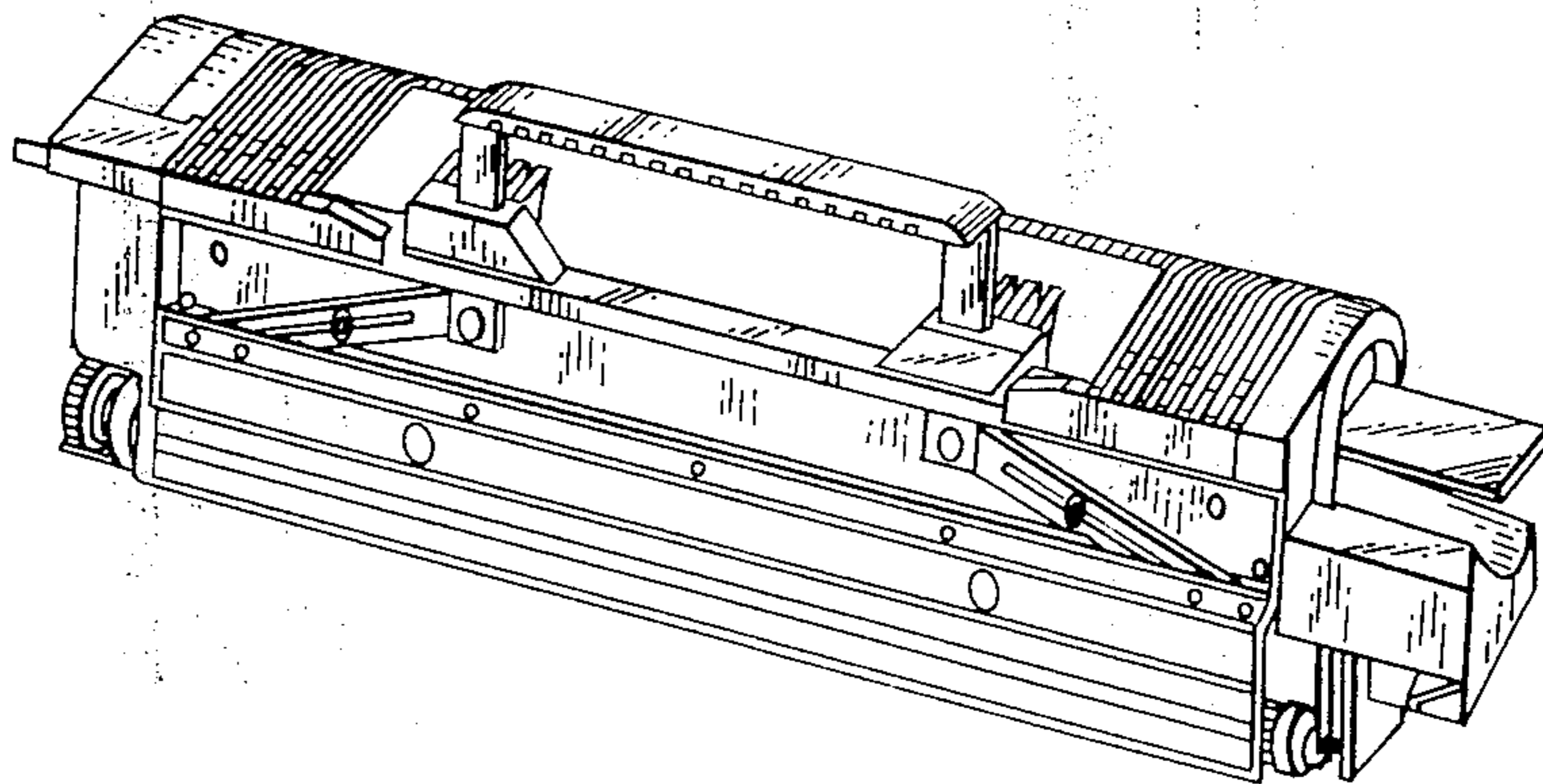


FIG. 1

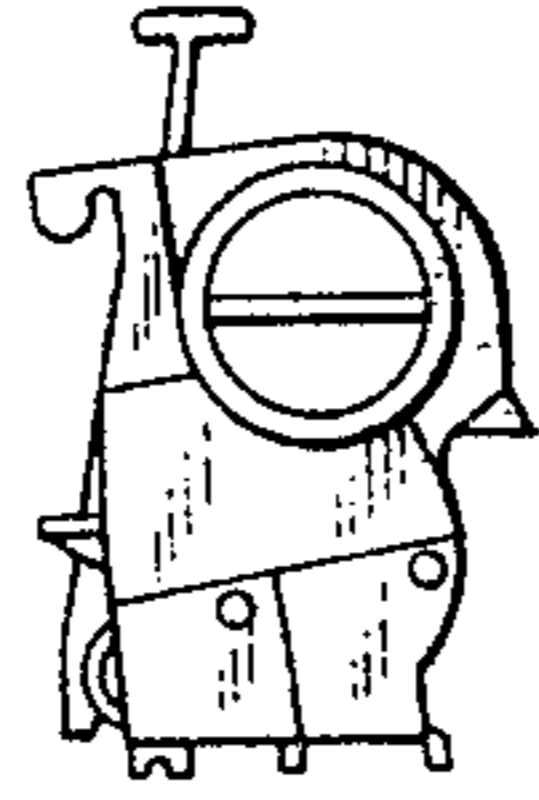


FIG. 2

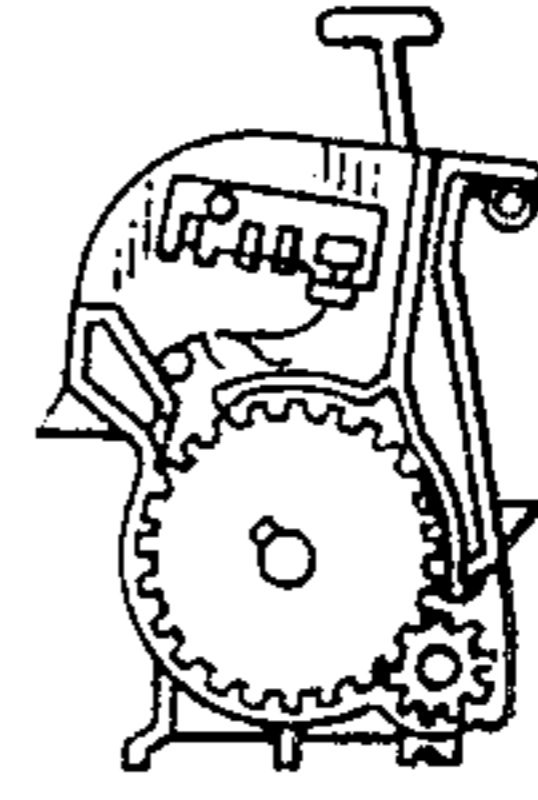


FIG. 3

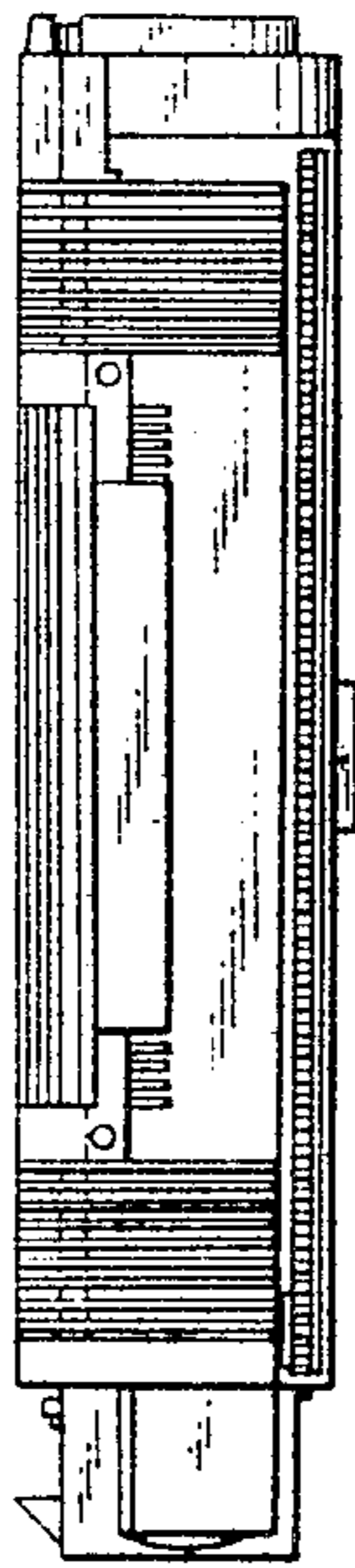


FIG. 4



FIG. 5

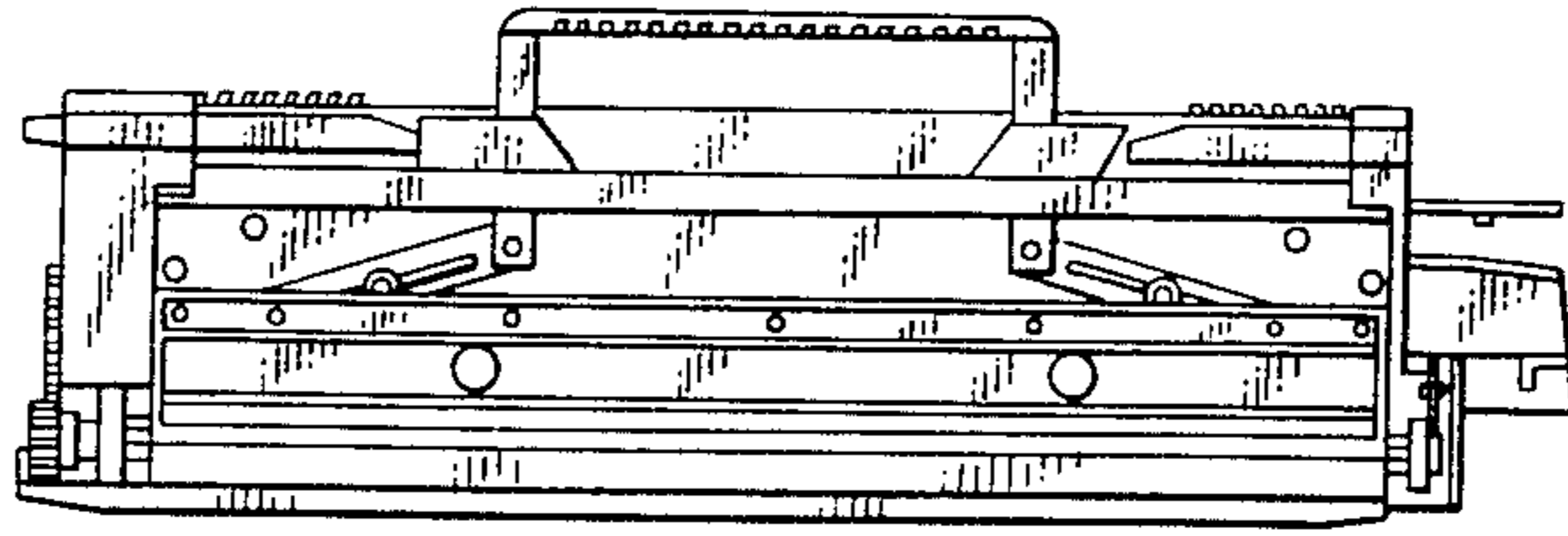


FIG. 6

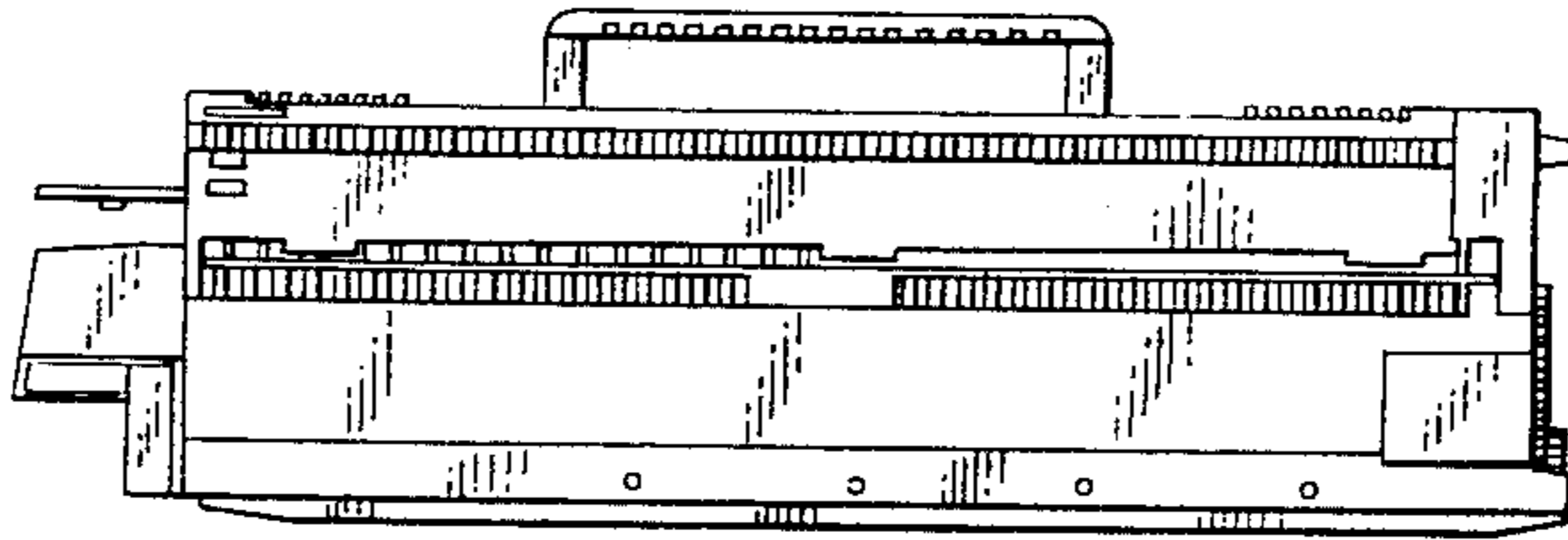


FIG. 7

