

[54] ELECTRONIC COPYING MACHINE

[75] Inventor: Katsumi Kojima, Hyogo, Japan

[73] Assignee: Sanyo Electric Co., Ltd., Japan

[\*\*] Term: 14 Years

[21] Appl. No.: 672,375

[22] Filed: Nov. 16, 1984

[30] Foreign Application Priority Data

May 21, 1984 [JP] Japan ..... 59-20482

[52] U.S. Cl. .... D16/31

[58] Field of Search ..... D16/27-32;  
355/3 R, 3 SH, 3 DD, 3 DR, 5-11, 14 R, 14  
SH, 18-19, 51, 54, 64-65

[56] References Cited

U.S. PATENT DOCUMENTS

- D. 267,802 2/1983 Yasutani ..... D16/31
- D. 270,540 9/1983 Sakurai ..... D16/31

- D. 270,541 9/1983 Matsuzaka ..... D16/31
- D. 280,104 8/1985 Sutoh ..... D16/31
- D. 280,634 9/1985 Imada ..... D16/31

OTHER PUBLICATIONS

*The Office*-5/83-p. 143-Copiers at top.

*Primary Examiner*-Nelson C. Holtje

*Attorney, Agent, or Firm*-Darby & Darby

[57] CLAIM

The ornamental design for an electronic copying machine, as shown.

DESCRIPTION

FIG. 1 is a right front perspective view of an electronic copying machine showing my new design;  
 FIG. 2 is a top plan view thereof;  
 FIG. 3 is a bottom plan view thereof;  
 FIG. 4 is a rear elevational view thereof;  
 FIG. 5 is a front elevational view thereof;  
 FIG. 6 is a left side elevational view thereof;  
 FIG. 7 is a right side elevational view thereof.

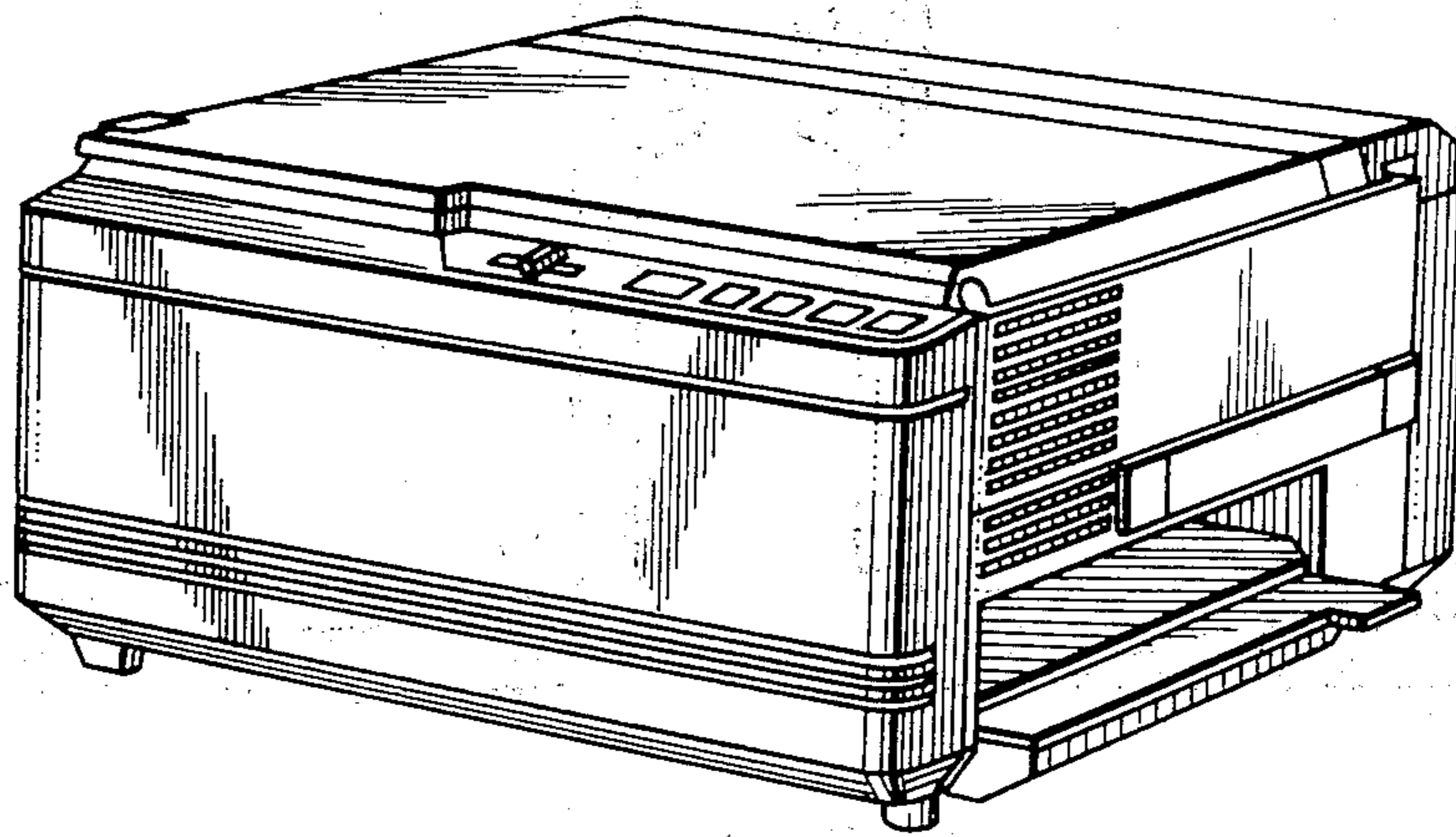


FIG. 1.

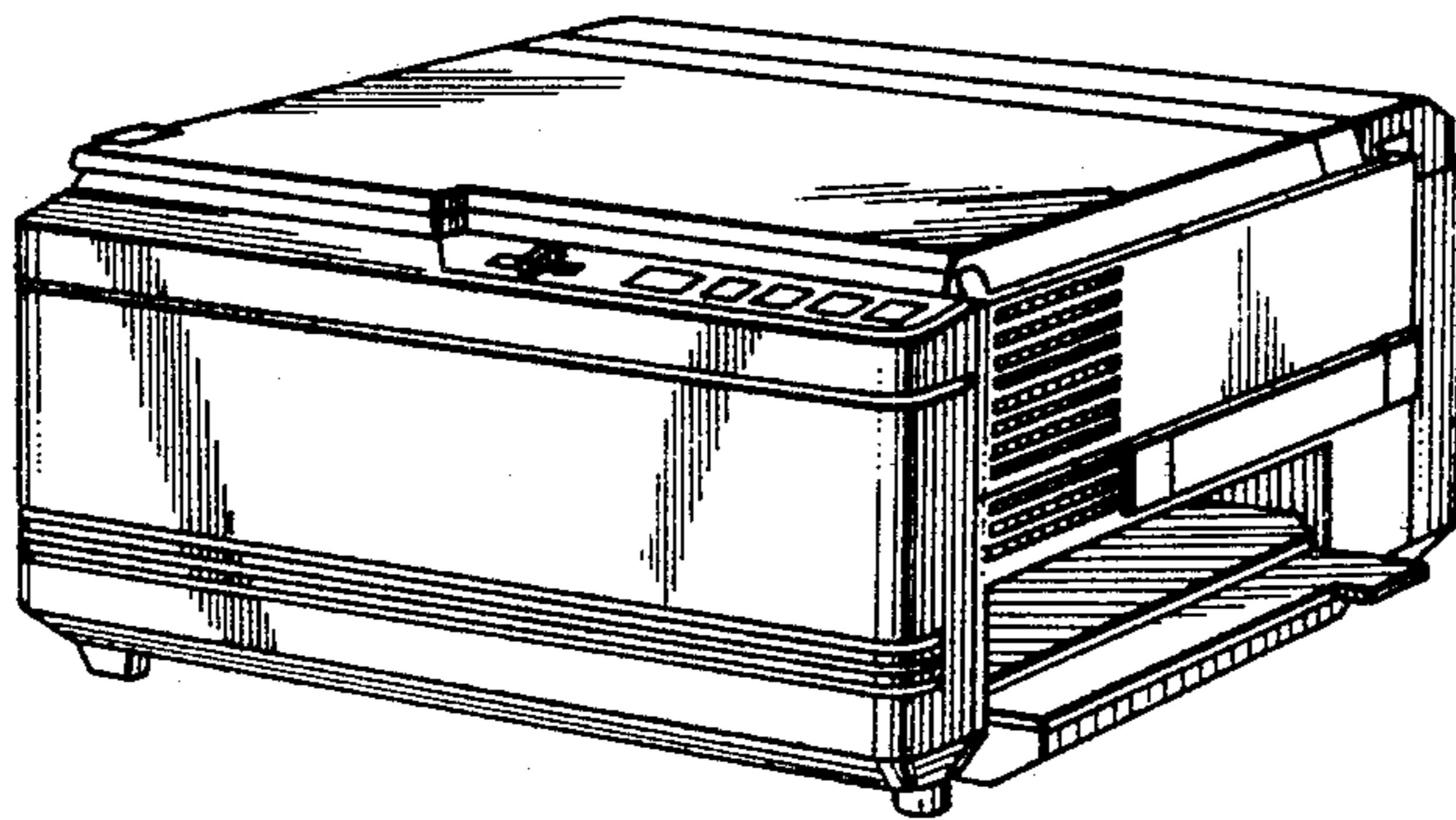


FIG. 2.

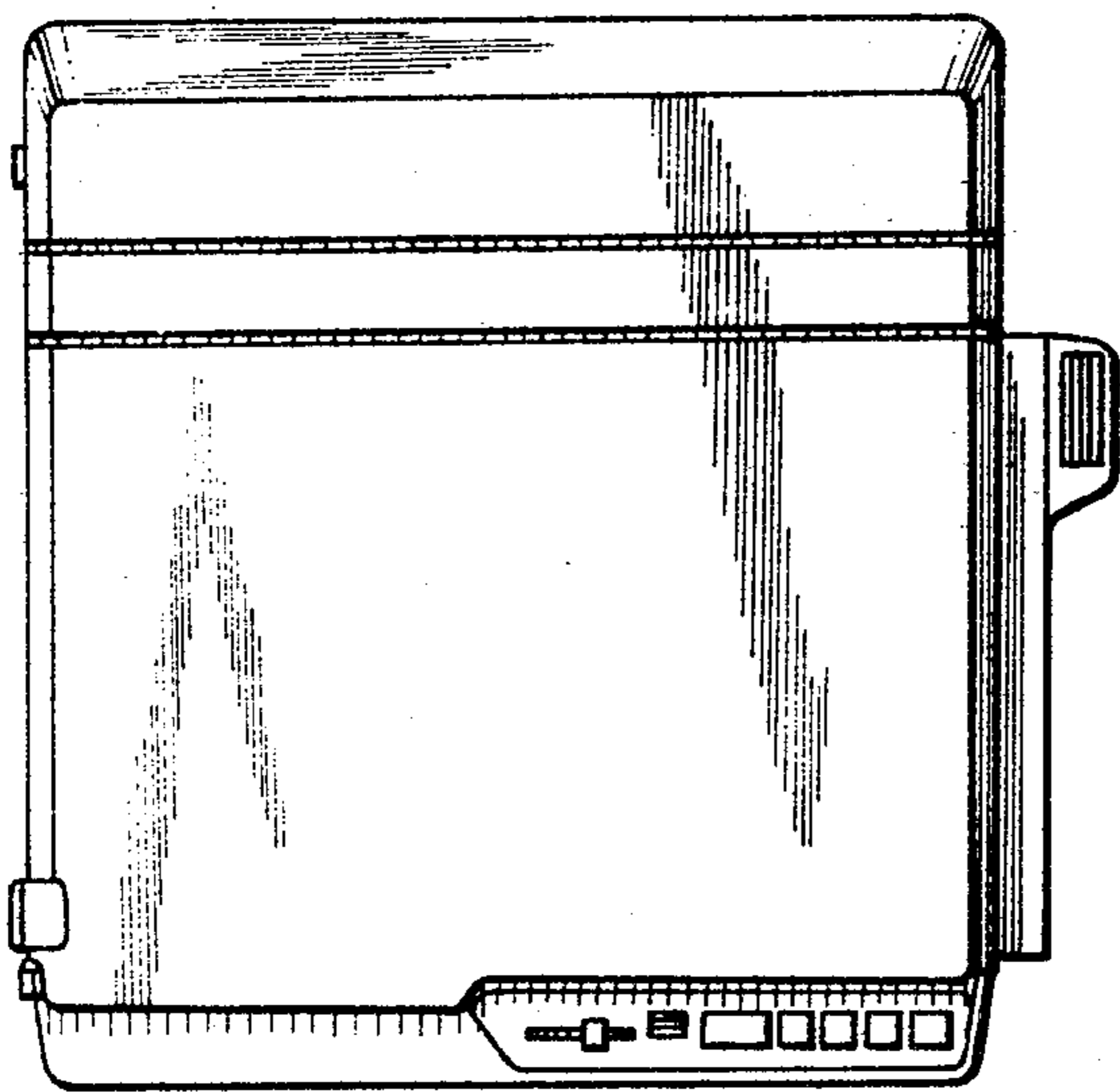


FIG. 3.

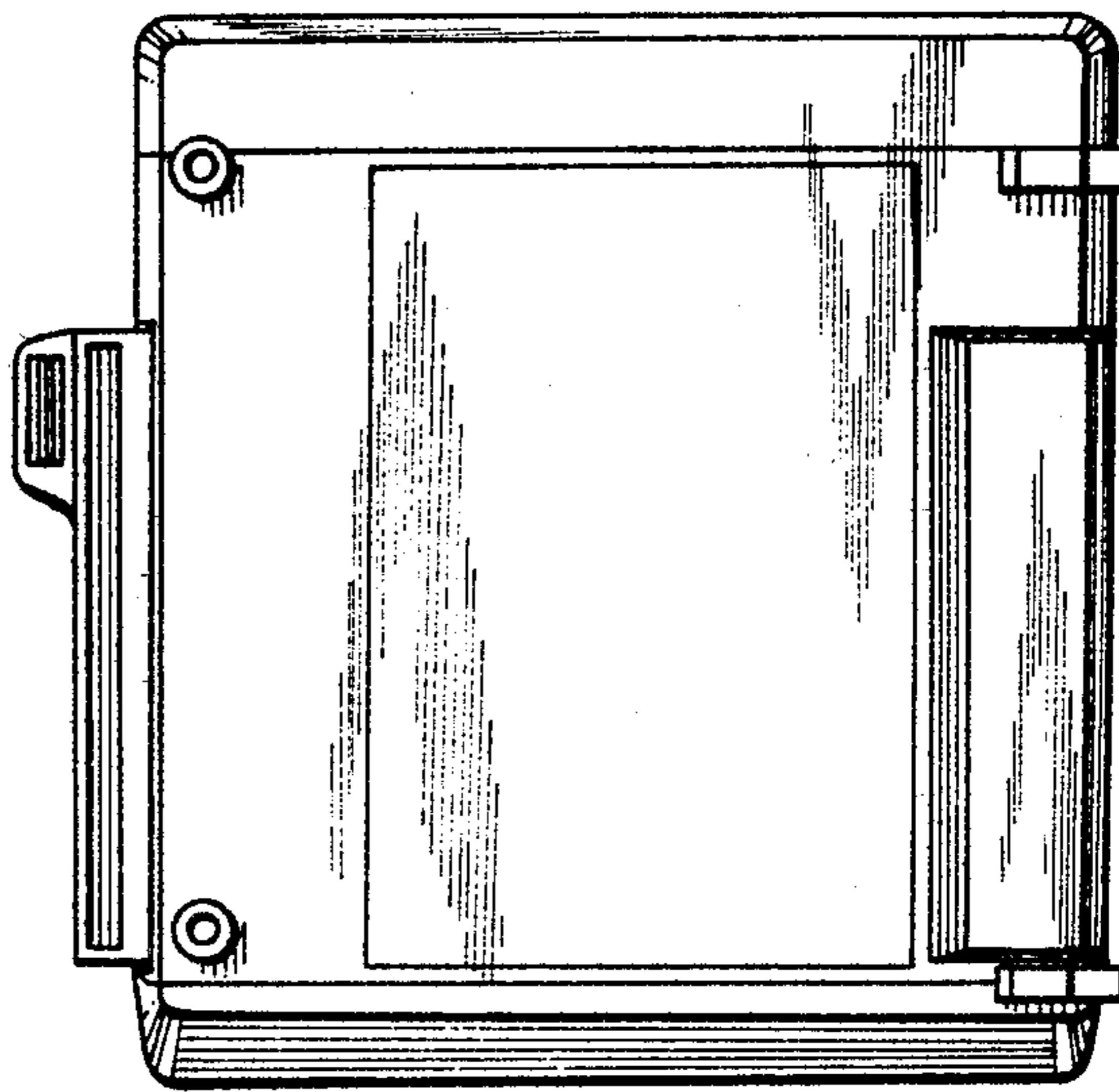


FIG. 4.

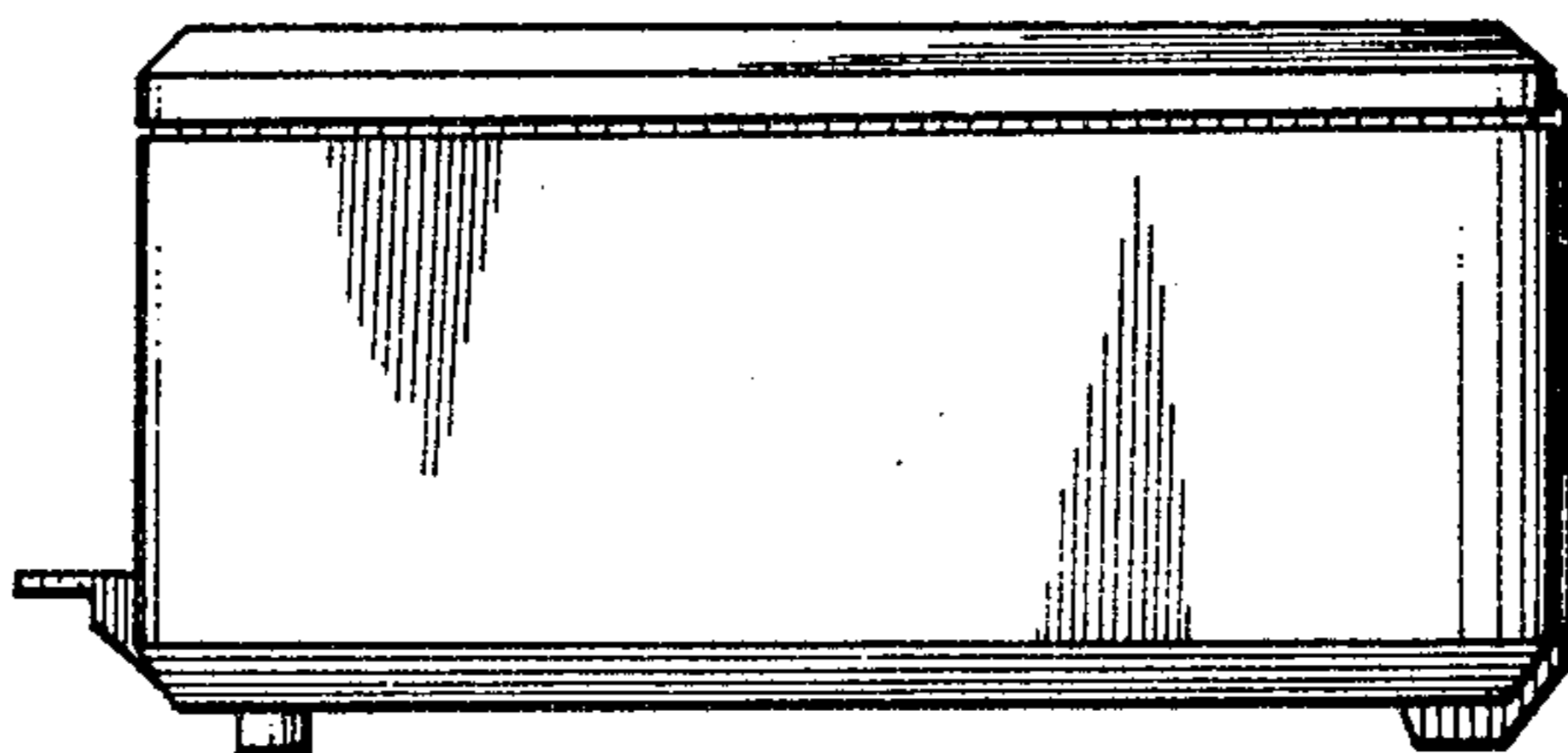


FIG. 5.

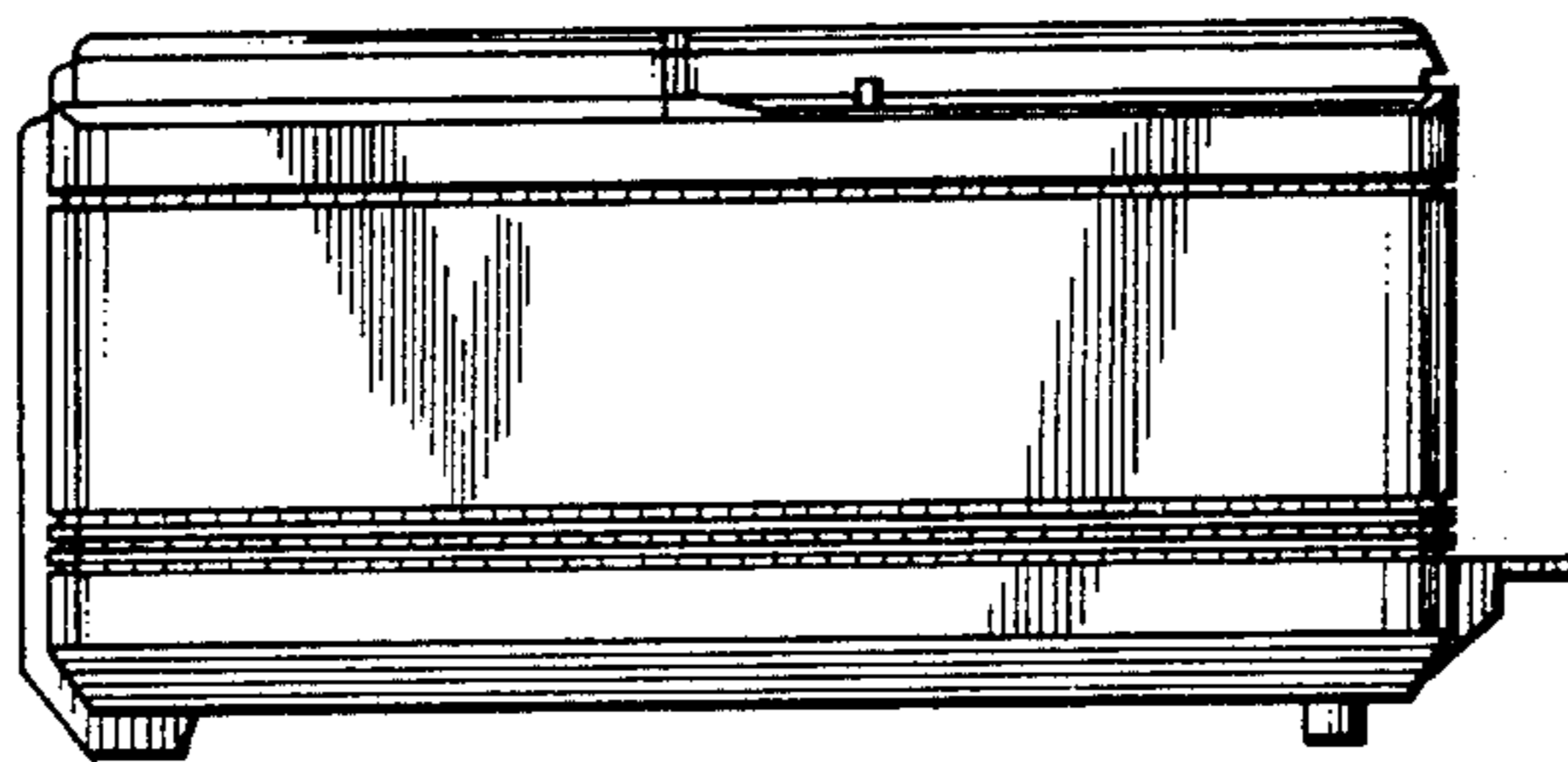


FIG. 6.

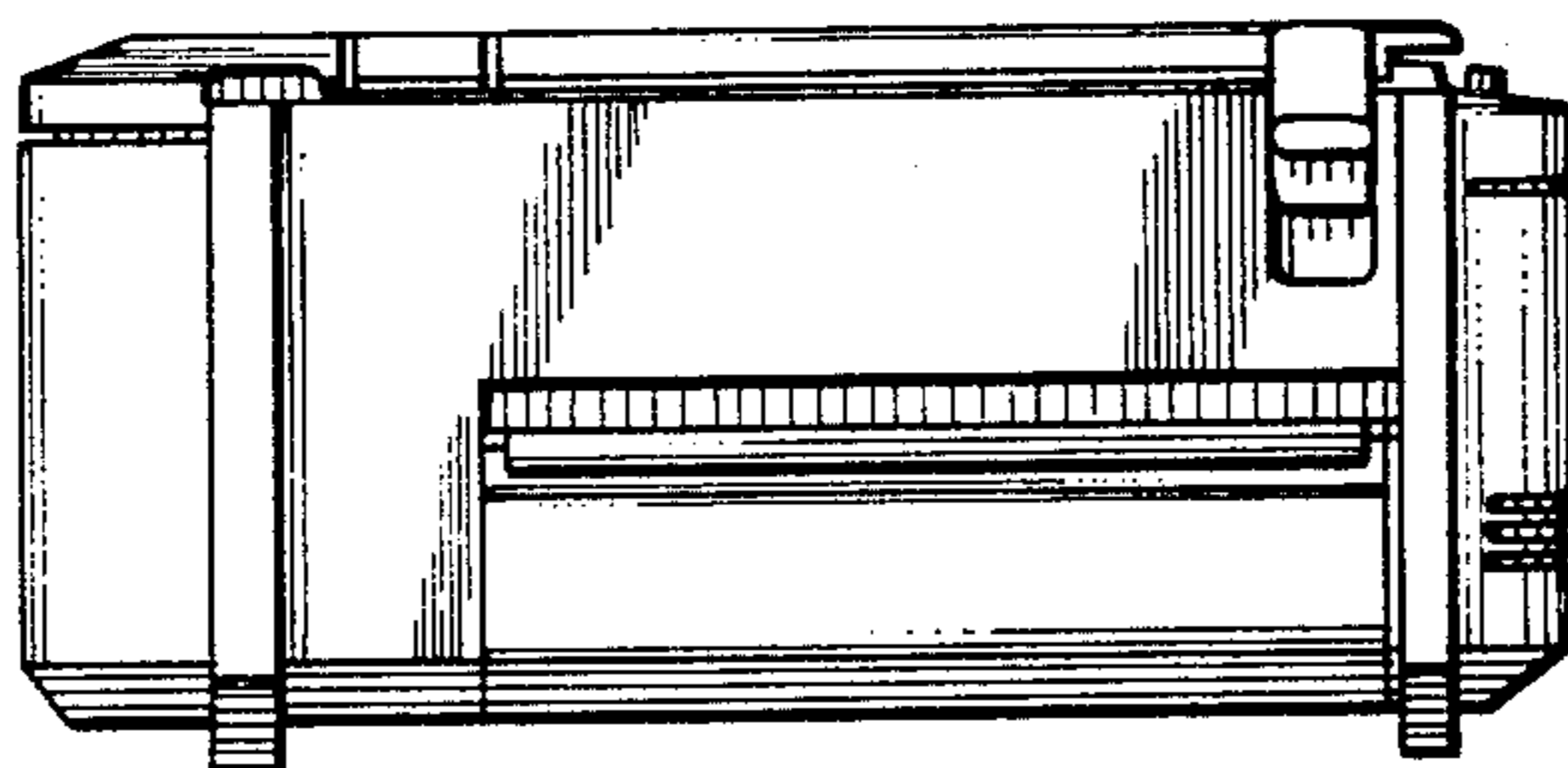


FIG. 7.

