

[54] CRANKSHAFT GRINDING MACHINE

[75] Inventor: Rufus W. Aldridge, Jr., Huntsville, Ala.

[73] Assignee: Spencer Wright Industries, Inc., Chattanooga, Tenn.

[\*\*] Term: 14 Years

[21] Appl. No.: 637,115

[22] Filed: Aug. 2, 1984

[52] U.S. Cl. .... D15/124

[58] Field of Search ..... D15/124; 51/72, 105 R, 51/289 R, 105 SP

[56] References Cited

U.S. PATENT DOCUMENTS

- 2,708,816 5/1955 Balsiger ..... 51/105 SP
- 2,791,067 5/1957 Falls ..... 51/72 R

- 3,780,474 12/1973 Ota ..... 51/105 SP
- 3,878,651 4/1975 Nakada et al. .... 51/105 SP
- 4,215,962 8/1980 Kreucher ..... 51/105 SP

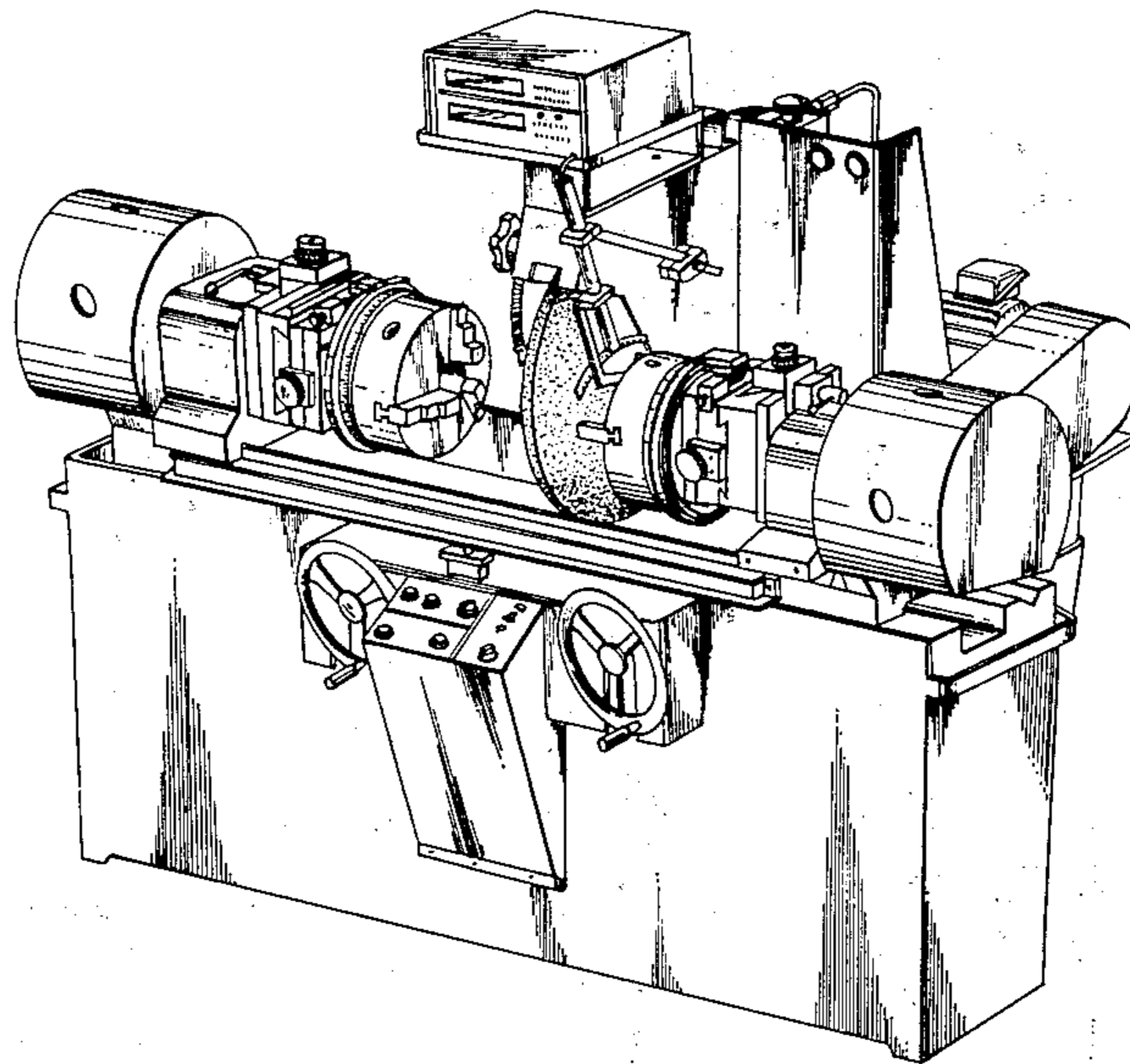
Primary Examiner—B. J. Bullock  
Attorney, Agent, or Firm—Alan Ruderman

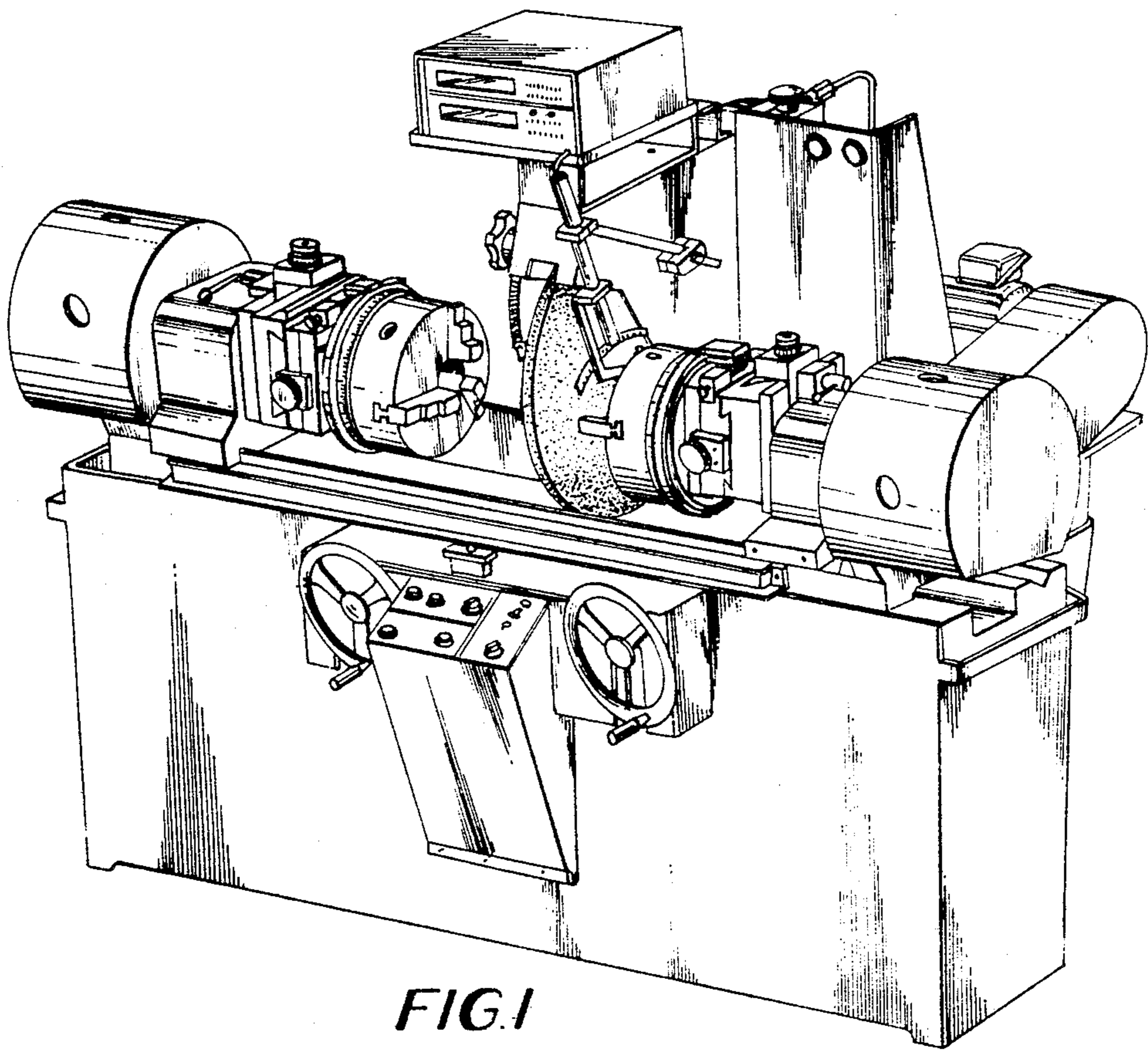
[57] CLAIM

The ornamental design for a crankshaft grinding machine, substantially as shown.

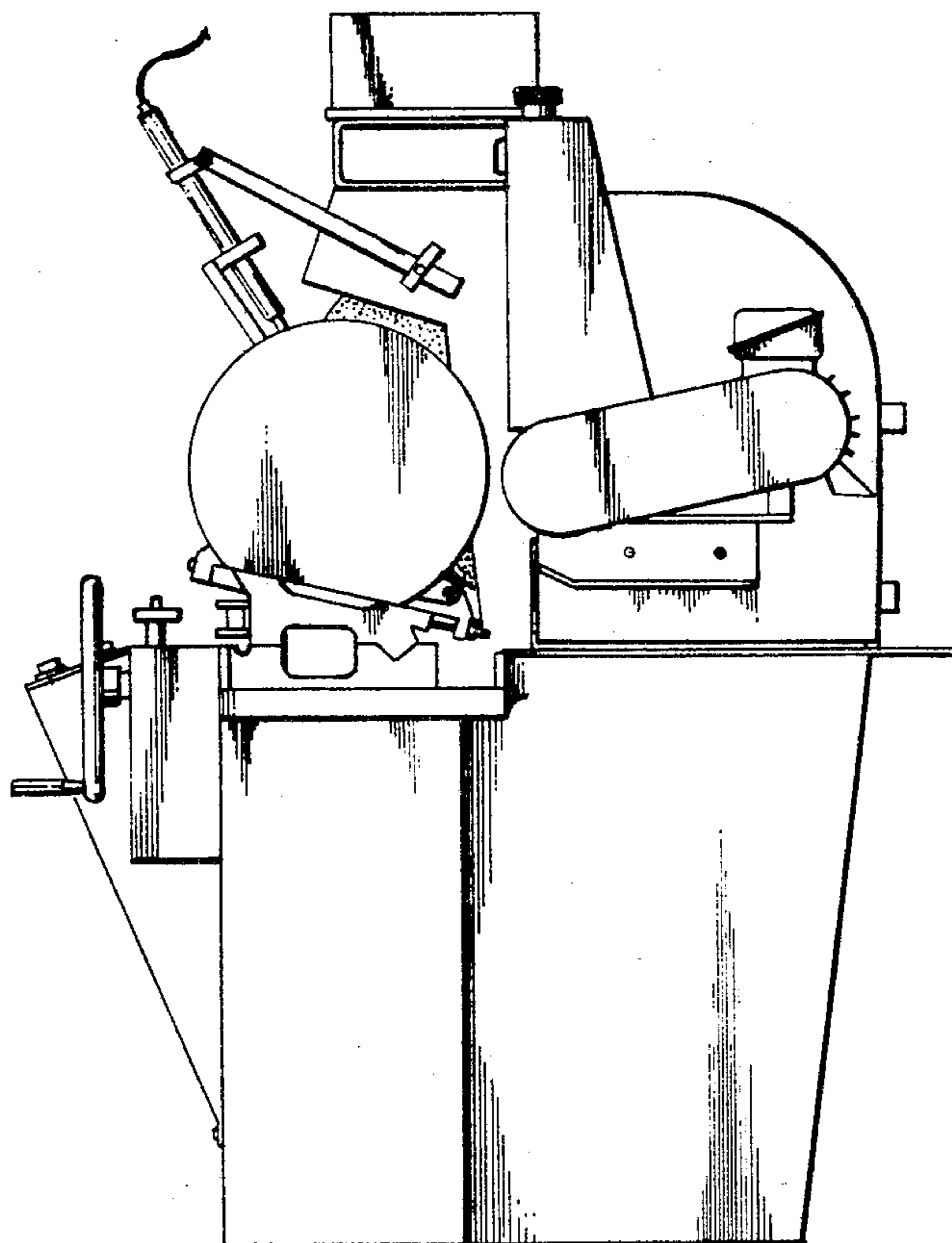
DESCRIPTION

FIG. 1 is a front perspective view of a crankshaft grinding machine embodying my new design;  
 FIG. 2 is a side elevational view thereof as viewed from the right side of FIG. 1;  
 FIG. 3 is a front elevational view thereof;  
 FIG. 4 is a side elevational view thereof as viewed from the side opposite that illustrated in FIG. 2;  
 FIG. 5 is top plan view thereof; and  
 FIG. 6 is a rear elevational view thereof.

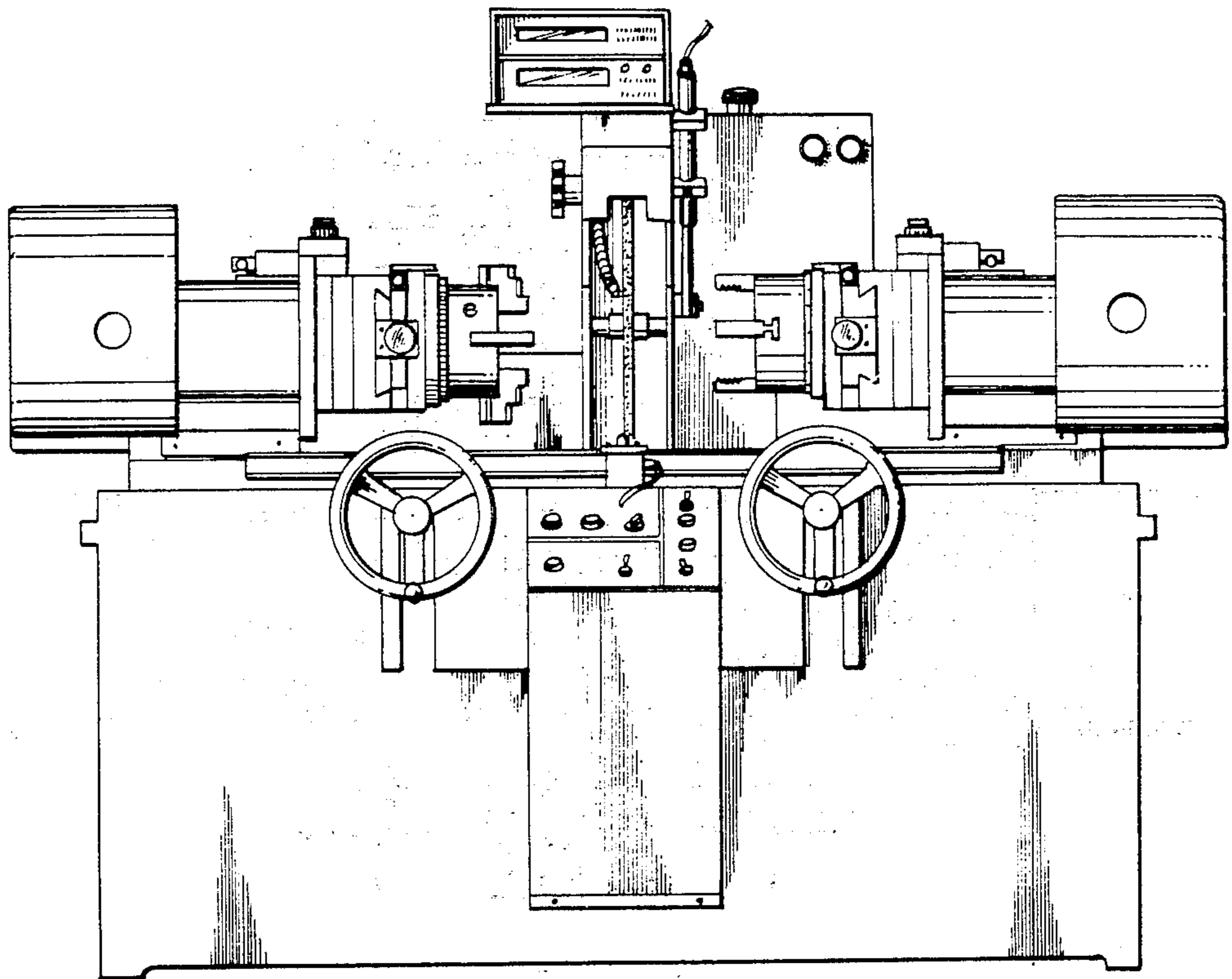




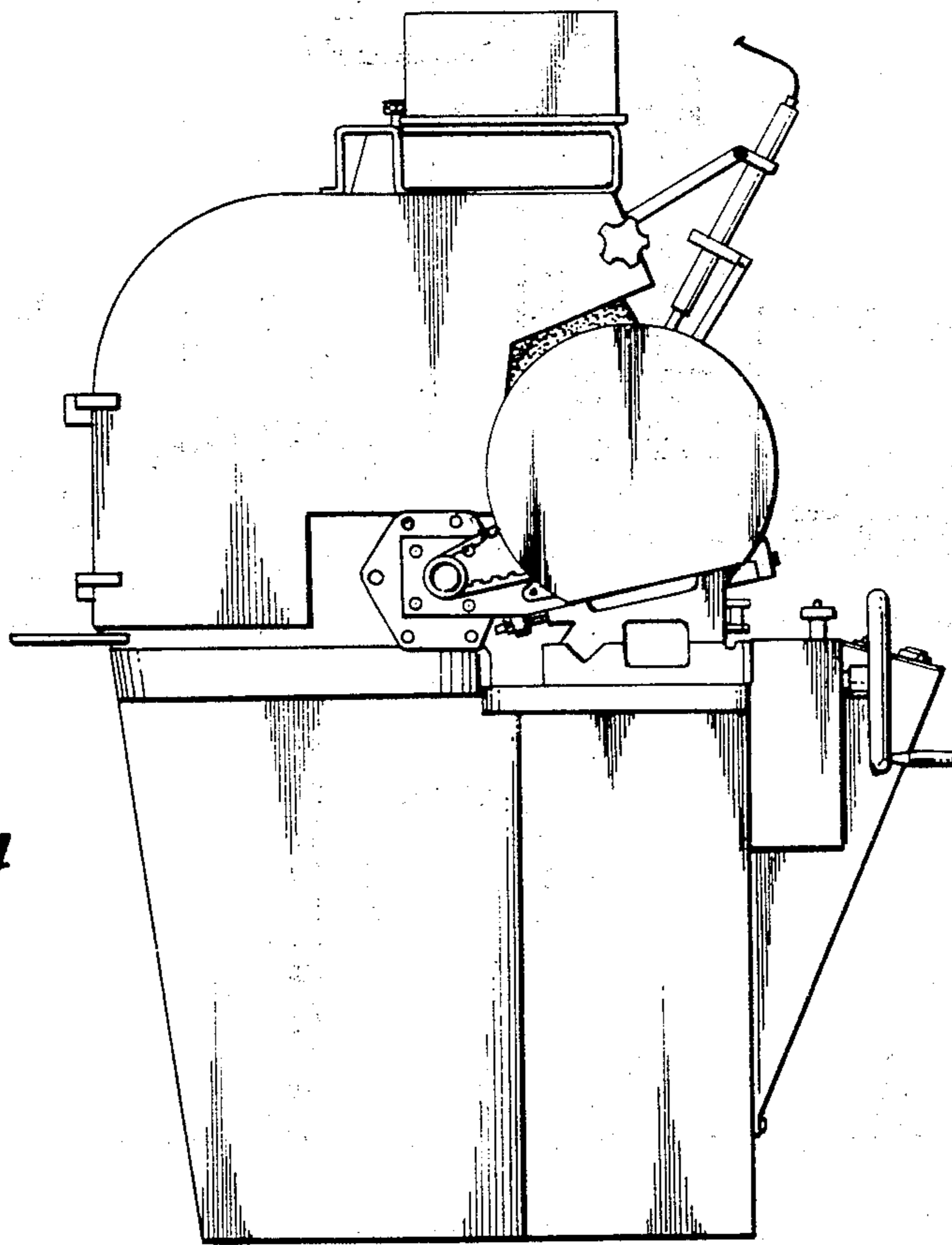
*FIG. 1*



*FIG. 2*



**FIG. 3**



**FIG. 4**

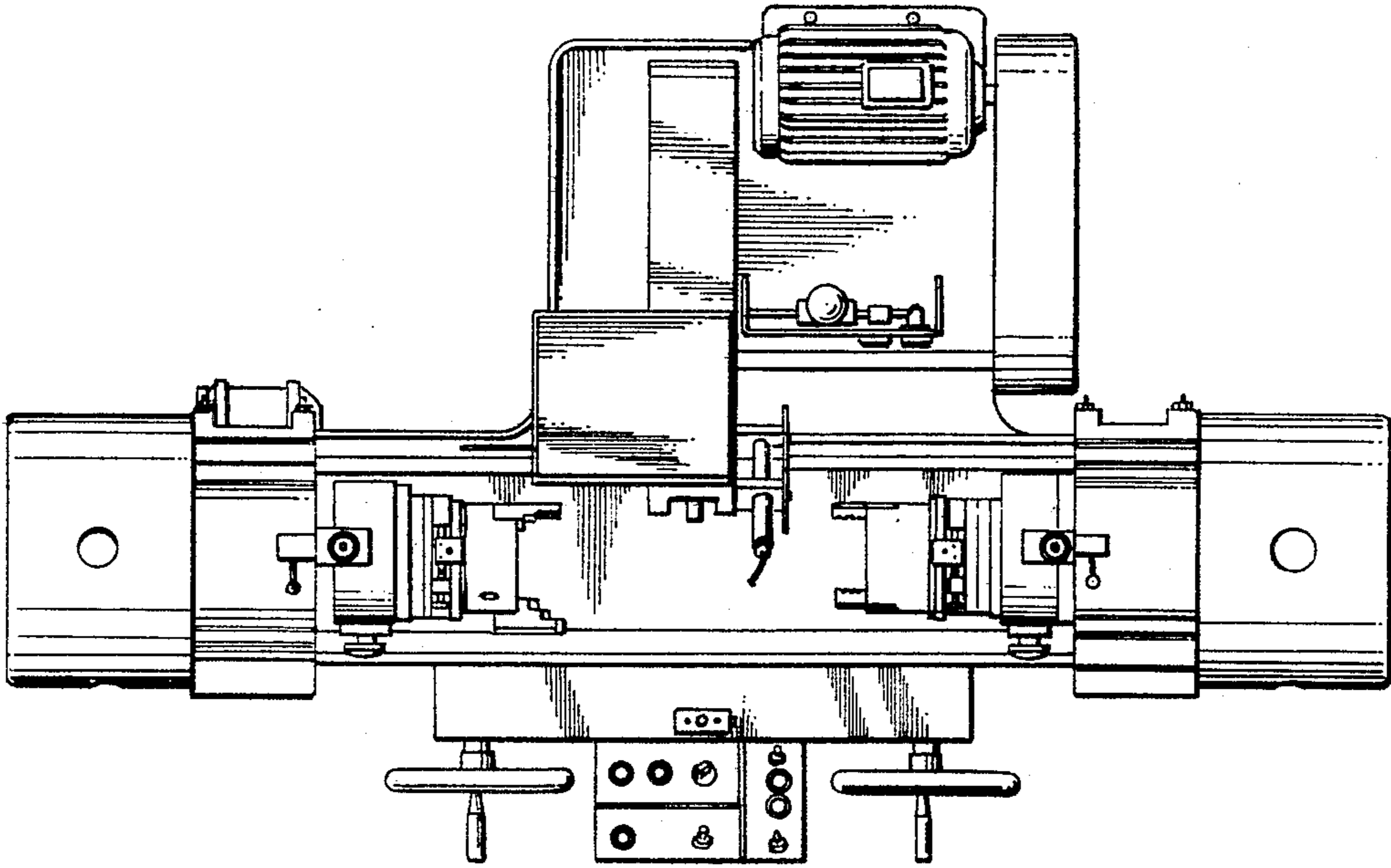


FIG. 5

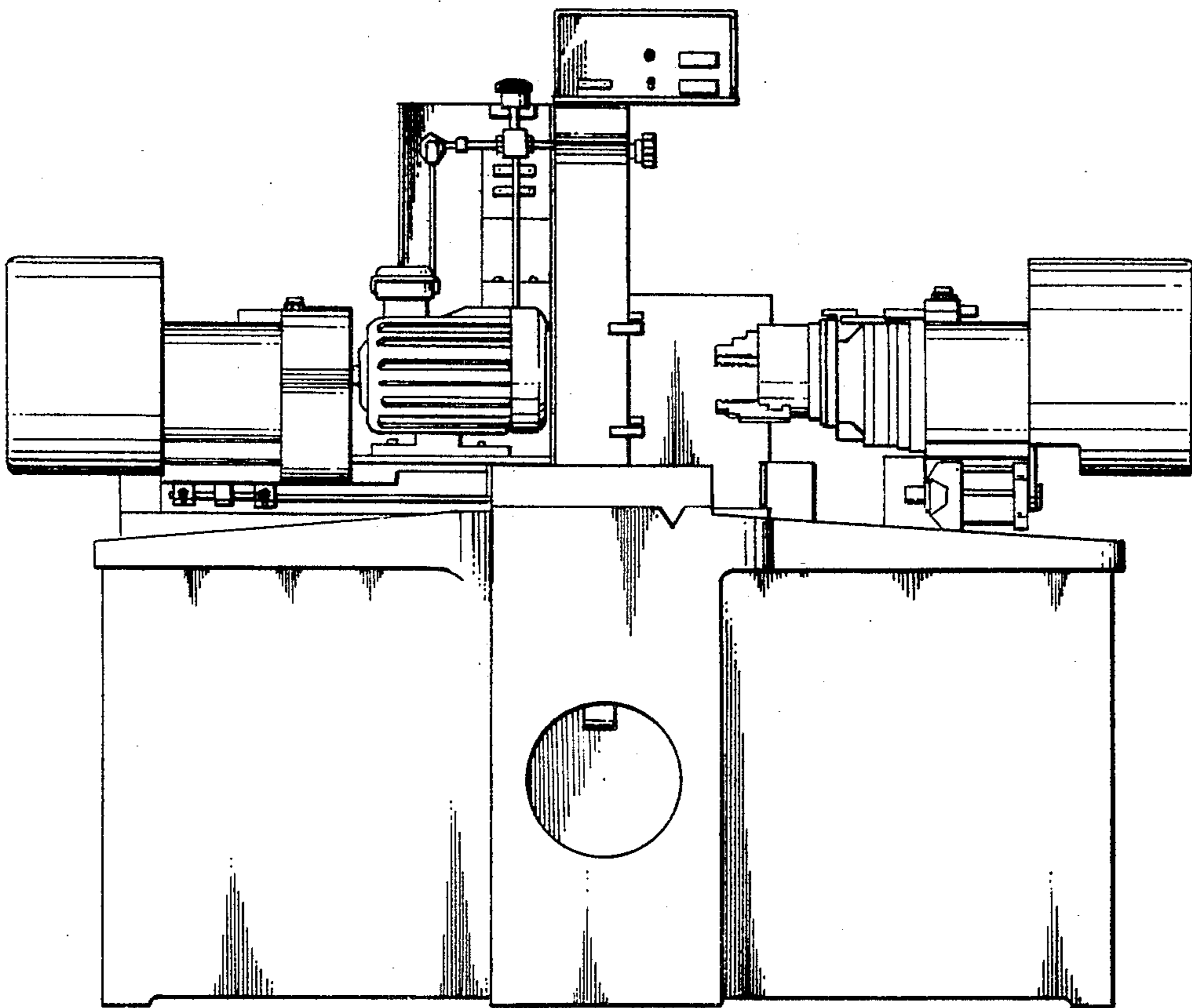


FIG. 6