

[54] HOSE AND FERRULE ASSEMBLING APPARATUS

[75] Inventors: Robert H. Proctor; Robert G. Cooper, both of Cockeysville, Md.

[73] Assignee: Murray Corporation, Cockeysville, Md.

[**] Term: 14 Years

[21] Appl. No.: 681,796

[22] Filed: Dec. 14, 1984

[52] U.S. Cl. D15/123

[58] Field of Search D15/123; 29/237, 283.5; 72/413

[56] References Cited U.S. PATENT DOCUMENTS

D. 280,201	8/1985	Moreiras et al.	D15/123
3,373,474	3/1968	Doerer	29/237
3,750,452	8/1973	Frank	29/237
3,785,050	1/1974	Whitledge	29/237

4,244,091	1/1981	Kimble	29/237
4,408,381	10/1983	Kish .	
4,527,414	7/1985	Jurkovic et al.	29/237

OTHER PUBLICATIONS

Murray Corporation Parts catalog, 1984, p. 491 (Hose Stuffer, Part No. 200315).

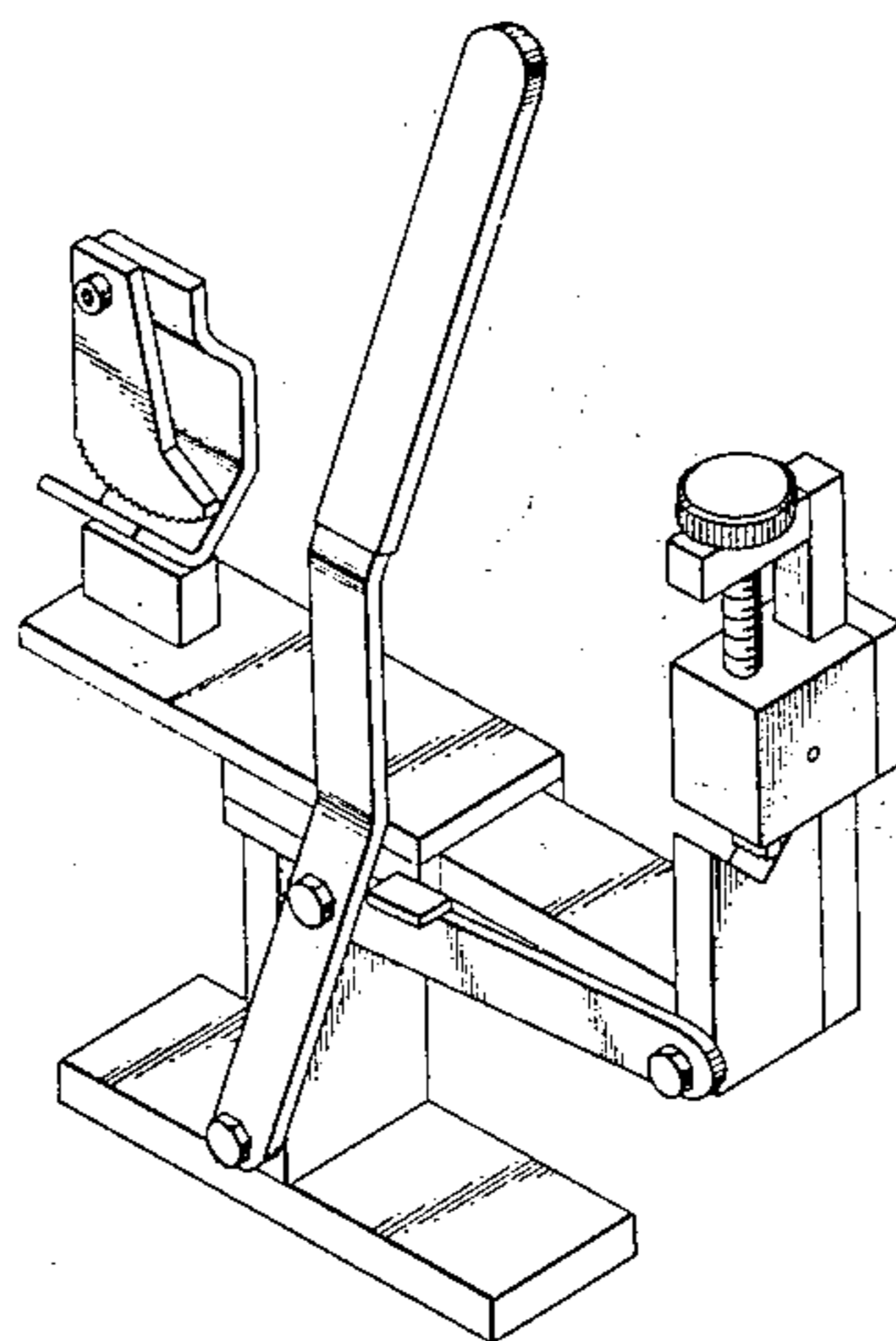
Primary Examiner—B. J. Bullock
Attorney, Agent, or Firm—Irvin A. Lavine

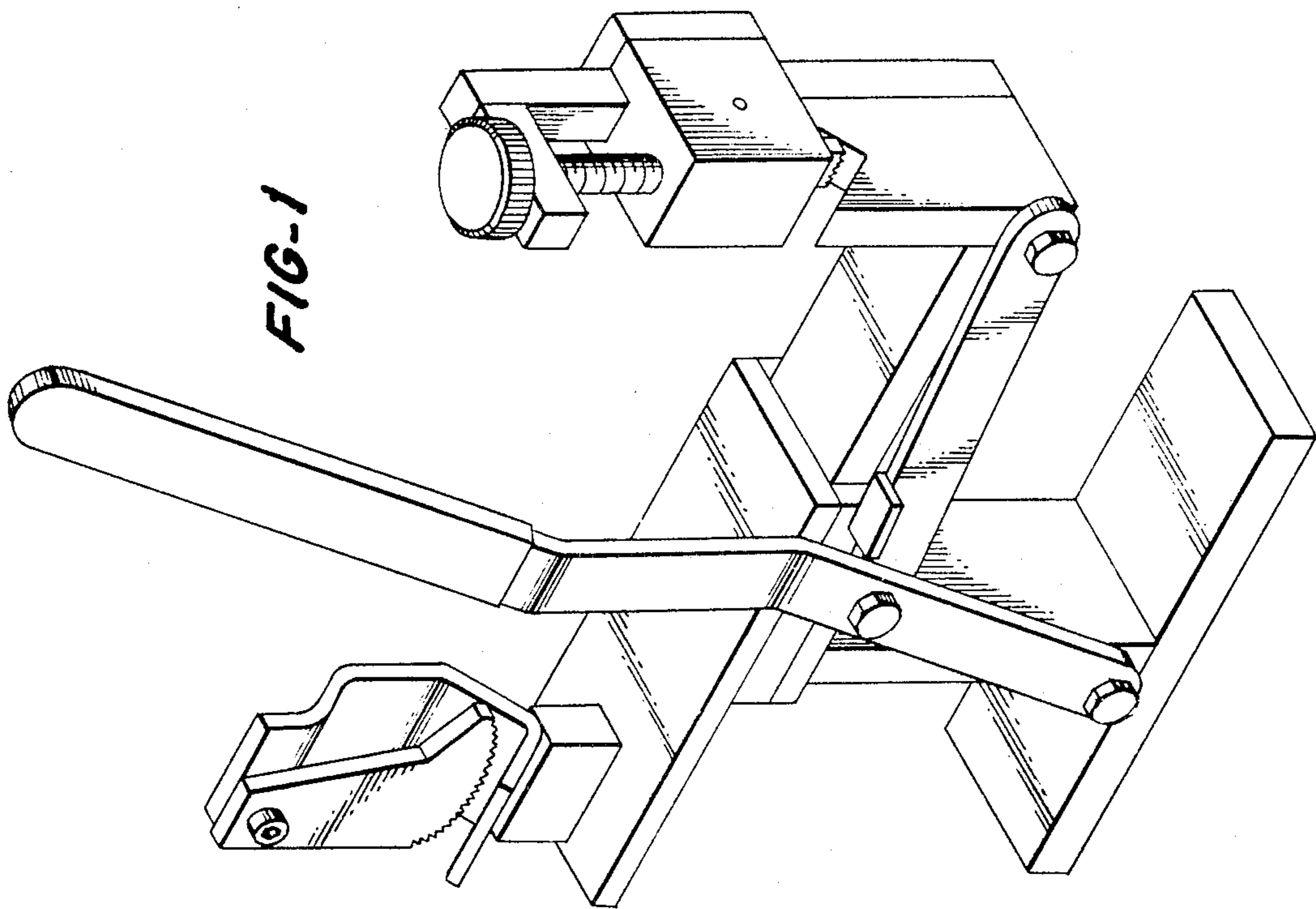
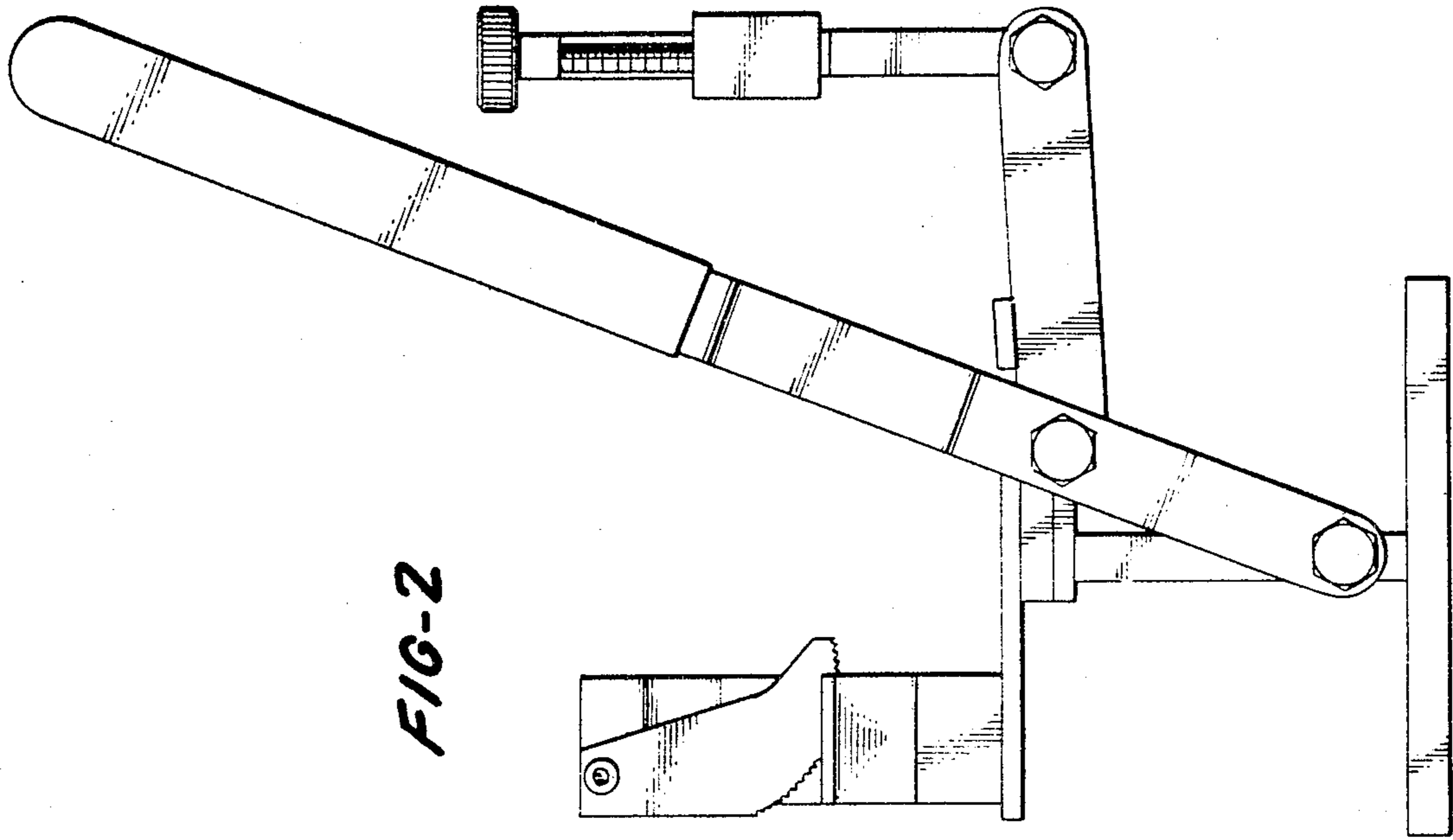
[57] CLAIM

The ornamental design for a hose and ferrule assembling apparatus, substantially as shown.

DESCRIPTION

FIG. 1 is a perspective view of a hose and ferrule assembling apparatus showing my new design; FIG. 2 is a left side elevational view thereof; FIG. 3 is a front end elevational view thereof; FIG. 4 is a rear end elevational view thereof; FIG. 5 is a left side elevational view thereof; FIG. 6 is a top plan view thereof, the bottom being unornamented.





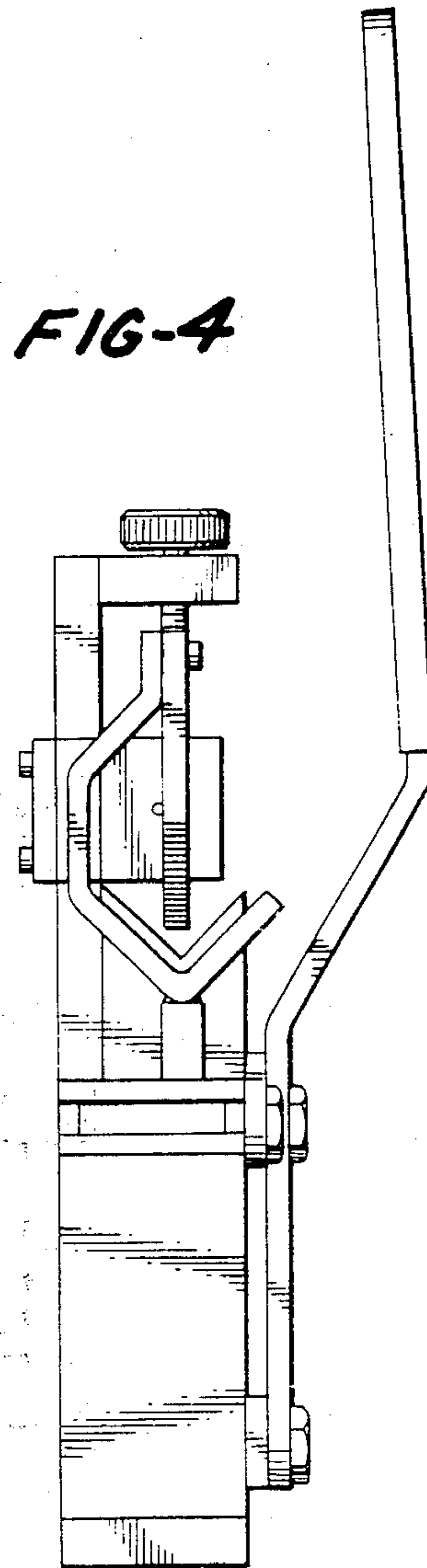
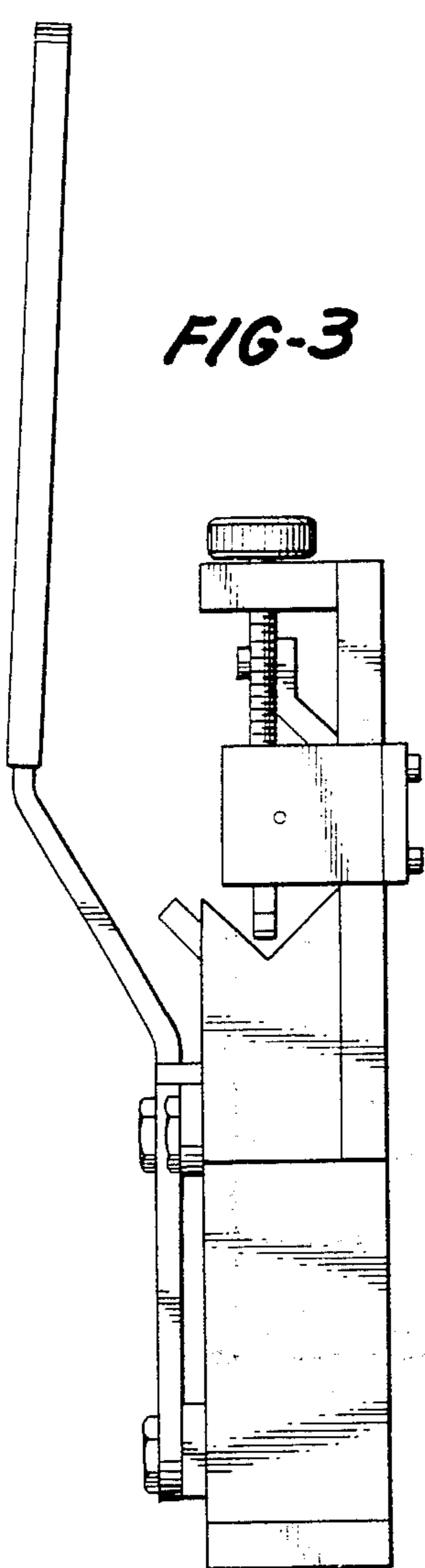
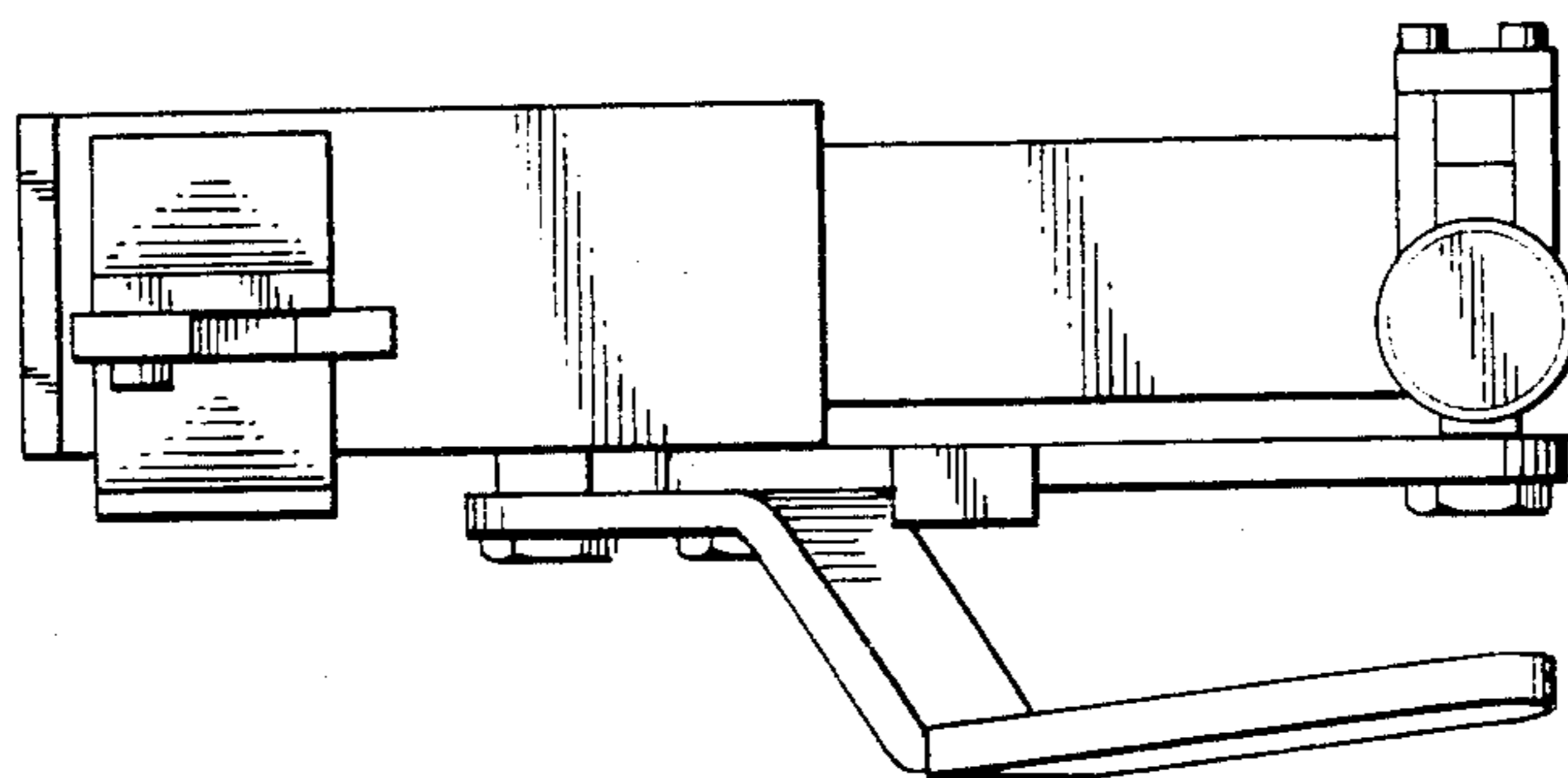


FIG-6



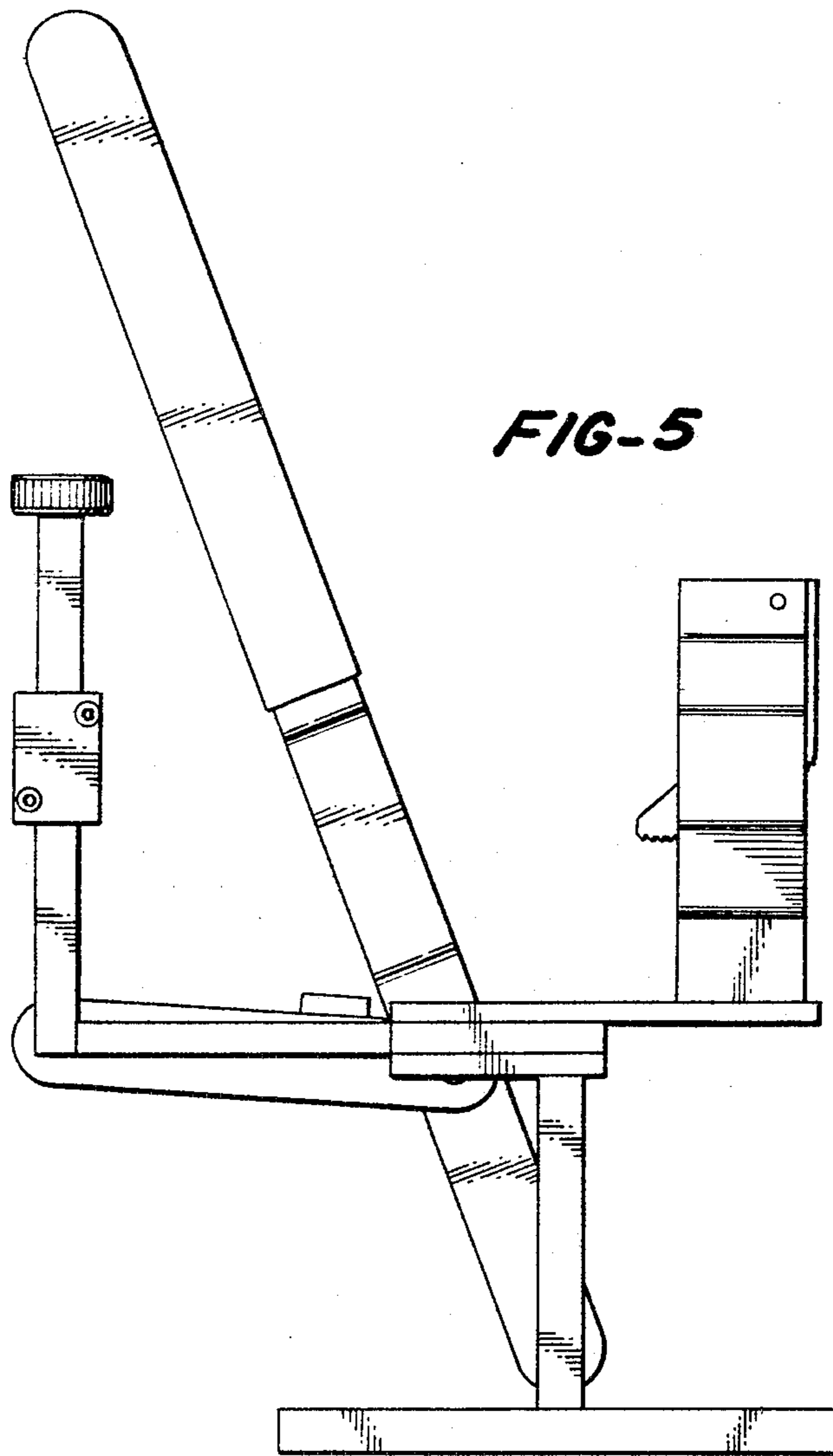


FIG-5