

[54] VIDEO DISPLAY TERMINAL

[75] Inventor: Richard Satherley, London, England

[73] Assignee: Future Computers Limited, Surrey, England

[**] Term: 14 Years

[21] Appl. No.: 571,276

[22] Filed: Jan. 16, 1984

[30] Foreign Application Priority Data

Jul. 14, 1983 [GB] United Kingdom 1014093

[52] U.S. Cl. D14/106; D14/109

[58] Field of Search D14/100, 106, 113, 109; 340/700, 711; 358/254

[56] References Cited

U.S. PATENT DOCUMENTS

D. 271,874 12/1983 Endt D14/113

OTHER PUBLICATIONS

Computer Design, 5-1982, p. 148, Work Station.
Forture Systems Brochure, ©1982, front cover, Work Station.
Today's Office, 4-1983, p. 60, Microcomputer.

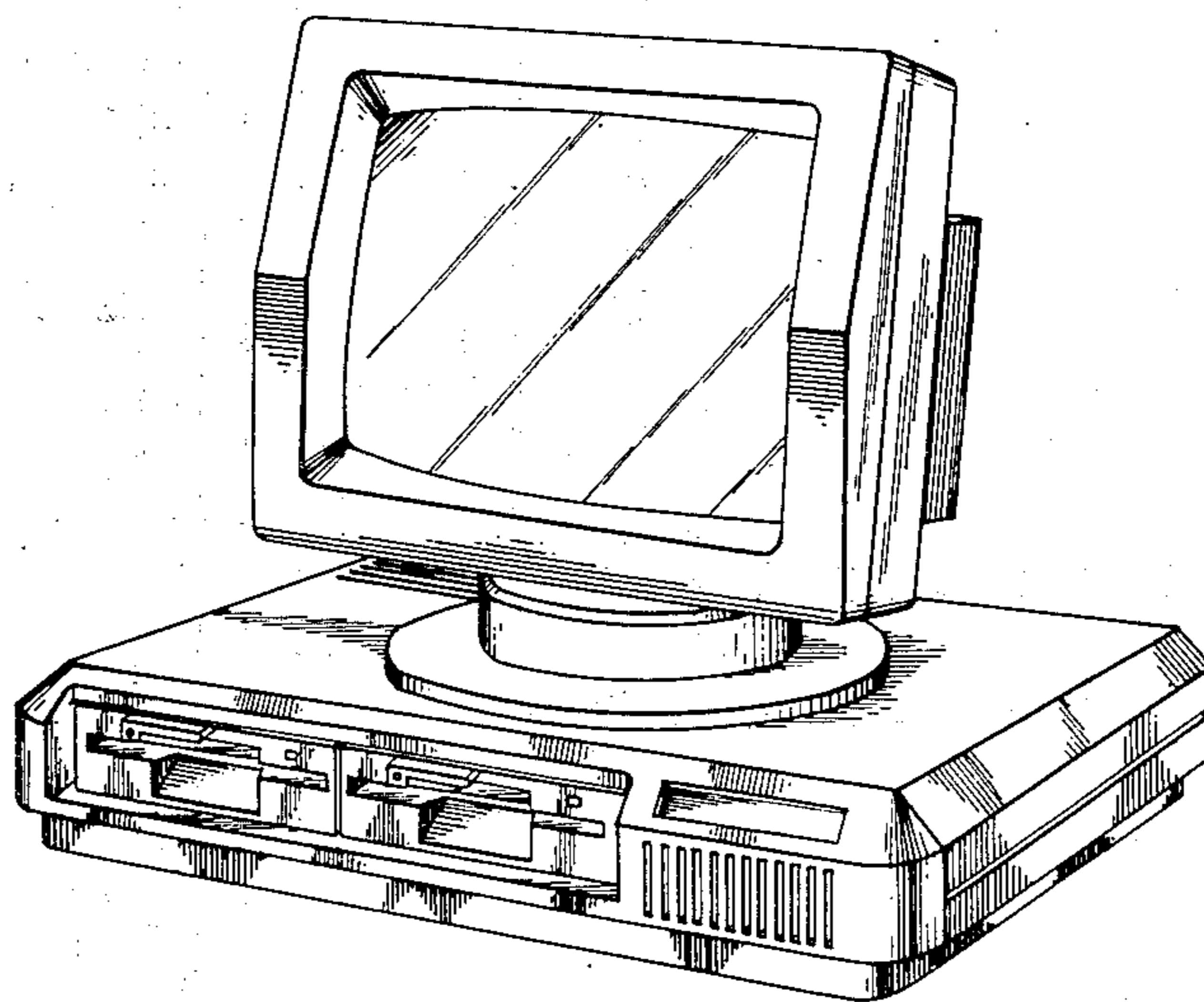
Primary Examiner—Susan J. Lucas
Attorney, Agent, or Firm—Cushman, Darby & Cushman

[57] CLAIM

The ornamental design for the video display terminal, as shown and described.

DESCRIPTION

FIG. 1 is a front elevational view of a video display terminal showing my new design;
FIG. 2 is a side elevational view thereof, the opposite side being a mirror image;
FIG. 3 is a top plan view thereof;
FIG. 4 is a front perspective view thereof.



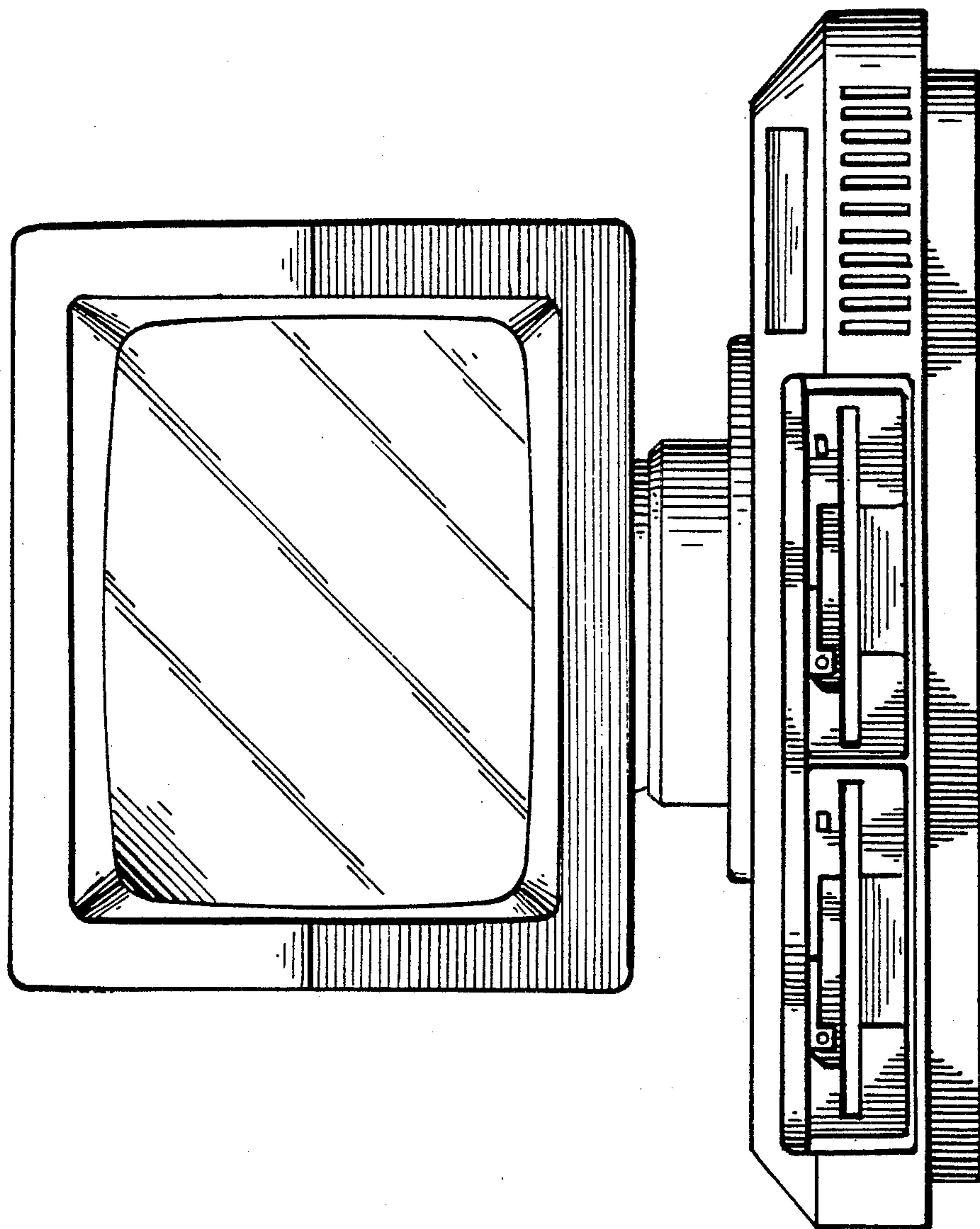


FIG. 1

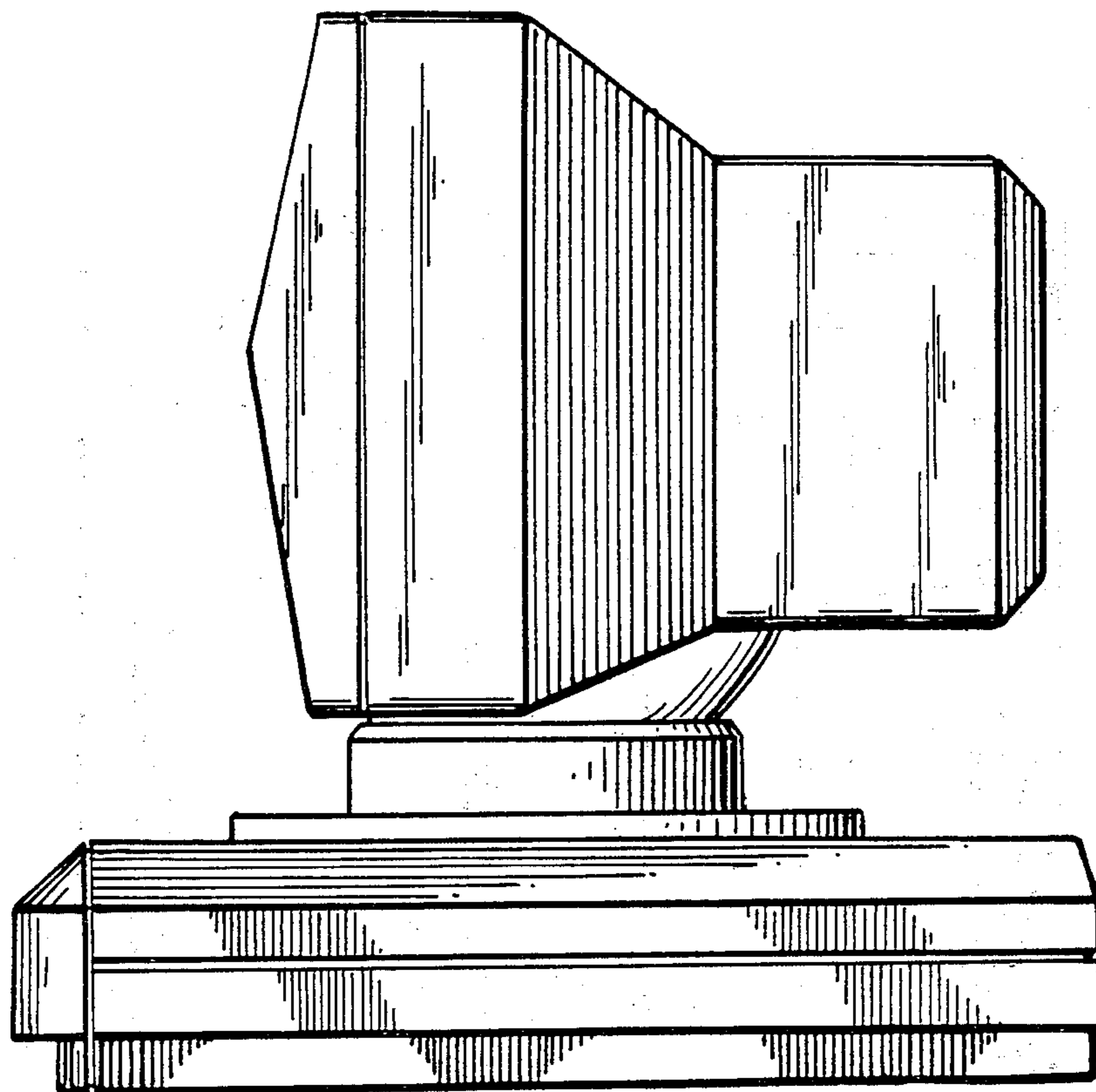
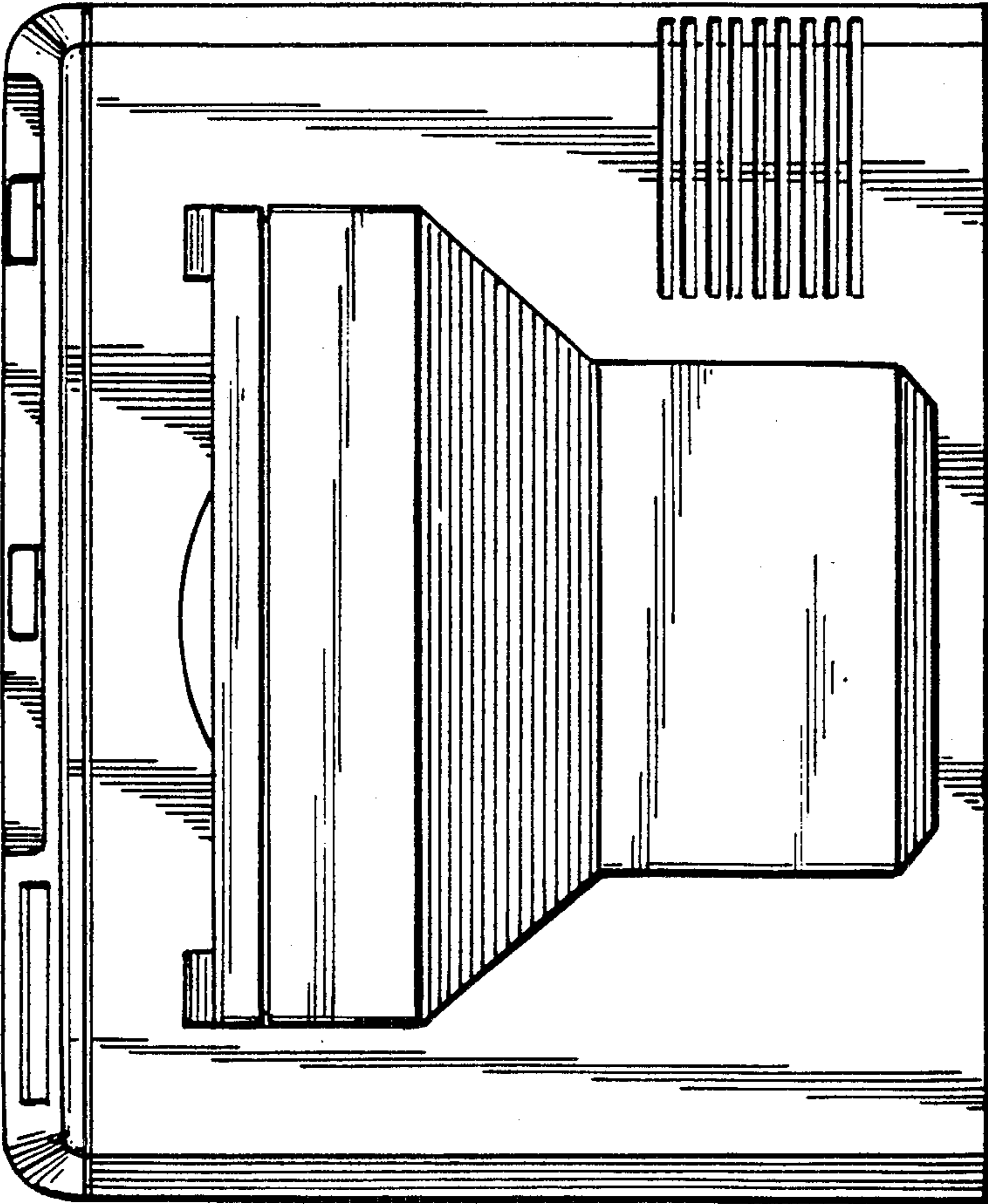


FIG. 2

FIG. 3



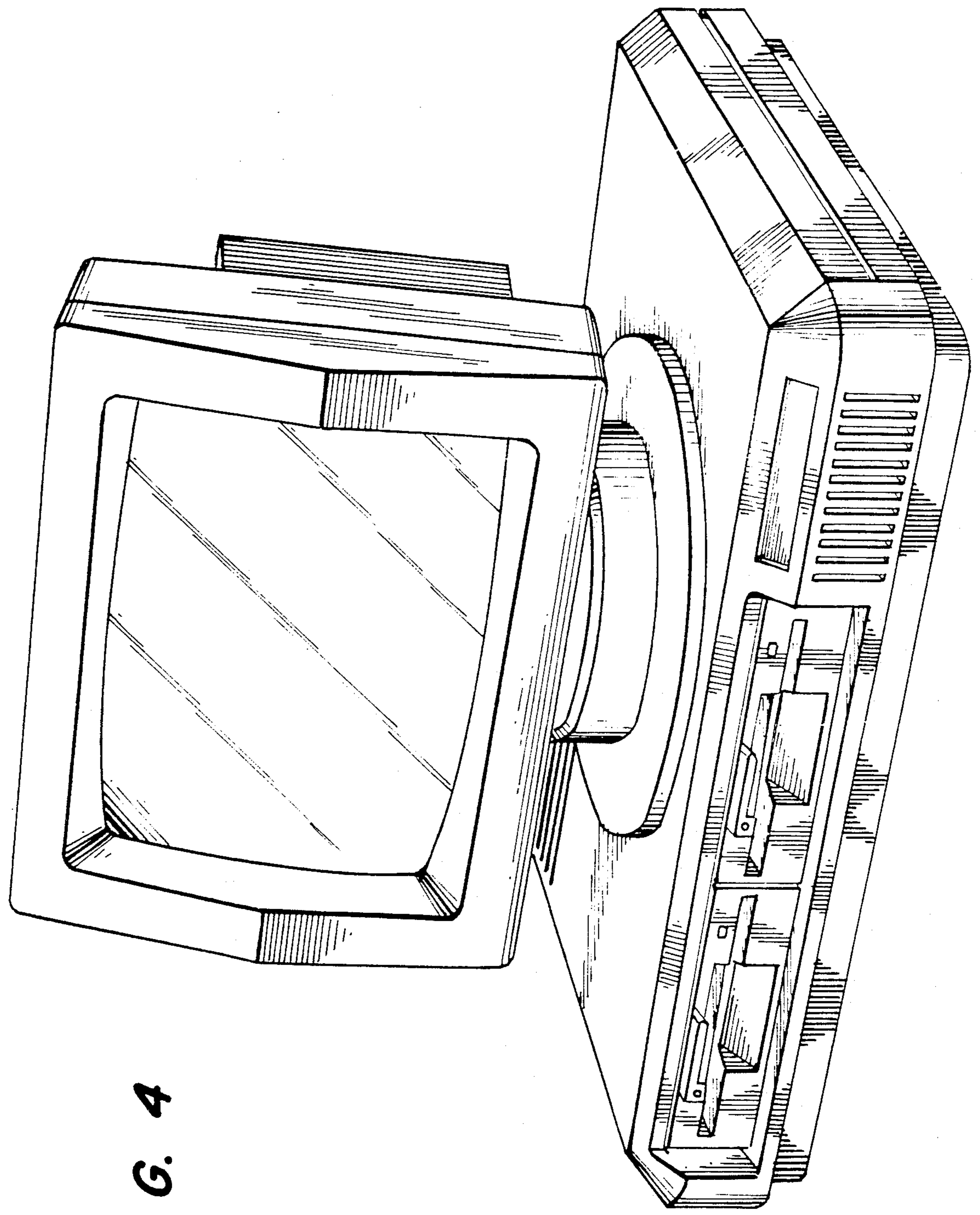


FIG. 4