

[54] TELEPHONE SET

[75] Inventor: Noriaki Kaku, Fukuoka, Japan

[73] Assignee: Matsushita Electric Industrial Co., Ltd., Osaka, Japan

[\*\*] Term: 14 Years

[21] Appl. No.: 672,314

[22] Filed: Nov. 16, 1984

[30] Foreign Application Priority Data

May 18, 1984 [JP] Japan ..... 59-20194

[52] U.S. Cl. .... D14/57; D14/53; D14/62; D14/58

[58] Field of Search ..... D14/53, 62, 58, 63, D14/57; 179/179, 100 R, 100 D, 100 C, 100 L, 101, 103, 102

[56] References Cited

U.S. PATENT DOCUMENTS

- D. 225,649 12/1972 Ho ..... D14/4
- D. 228,350 9/1973 Yoshida et al. .... D18/7
- D. 265,734 8/1982 Mahan ..... D14/58

- D. 277,476 2/1985 Foggia et al. .... D14/53
- D. 282,362 1/1986 Brown et al. .... D14/63
- D. 282,466 2/1986 Takashashi ..... D14/60
- 3,483,333 12/1969 Crogeen ..... D14/58 UX
- 4,436,963 3/1984 Cottrel et al. .... D14/58

Primary Examiner—Wallace R. Burke  
Assistant Examiner—Horace B. Fay  
Attorney, Agent, or Firm—Sughrue, Mion, Zinn, Macpeak, and Seas

[57] CLAIM

The ornamental design for a telephone set, as shown and described.

DESCRIPTION

FIG. 1 is a front, top and right side perspective view of a telephone set showing my new design;

FIG. 2 is a bottom, rear and left side perspective view thereof;

FIG. 3 is a right side elevational view thereof; and FIG. 4 is a perspective view thereof with the handset attached.

Showing of the stand of the telephone set independently of the handset in FIGS. 1-3 is for clarity of representation and ease of illustration.

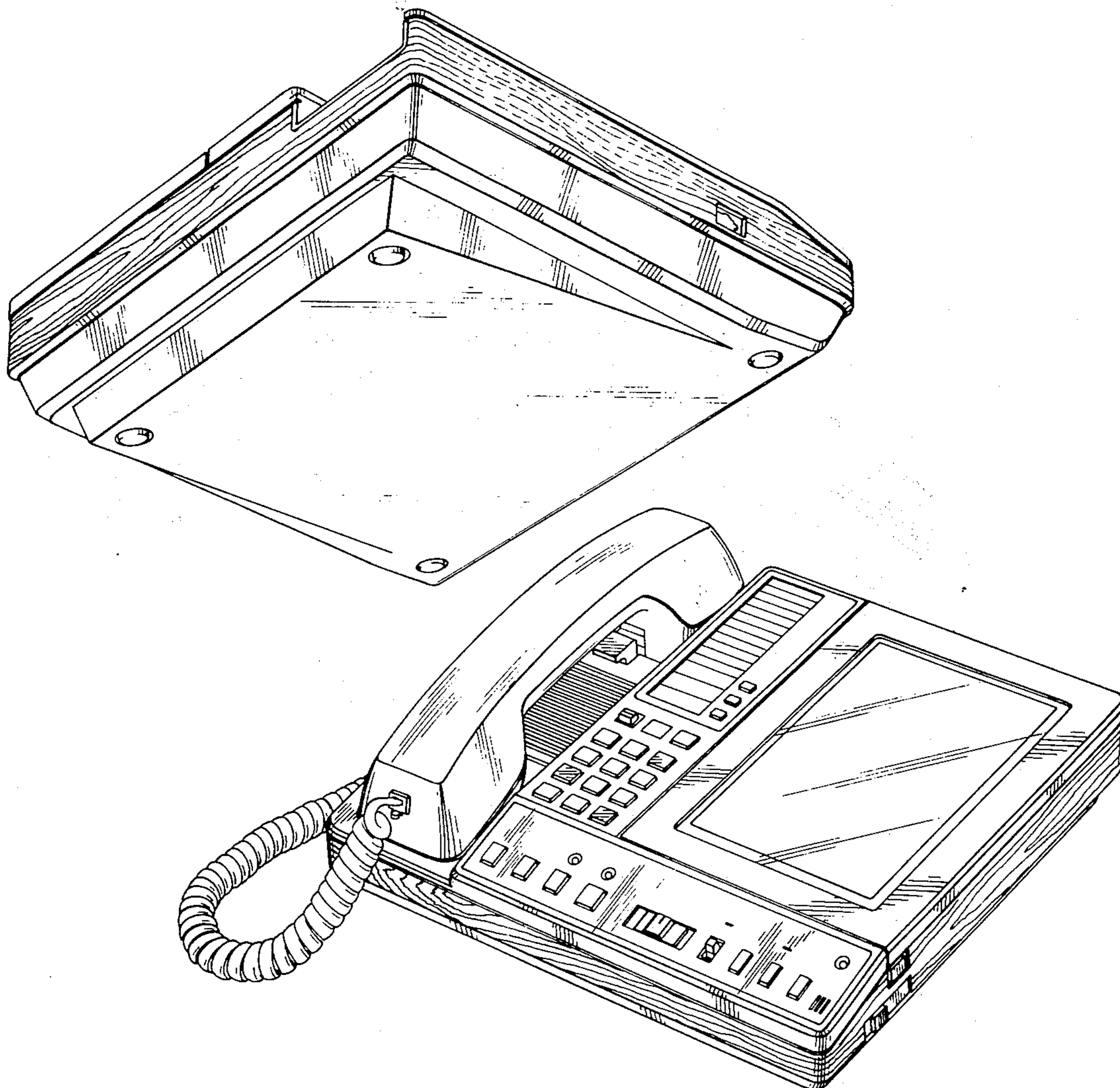


FIG. 1

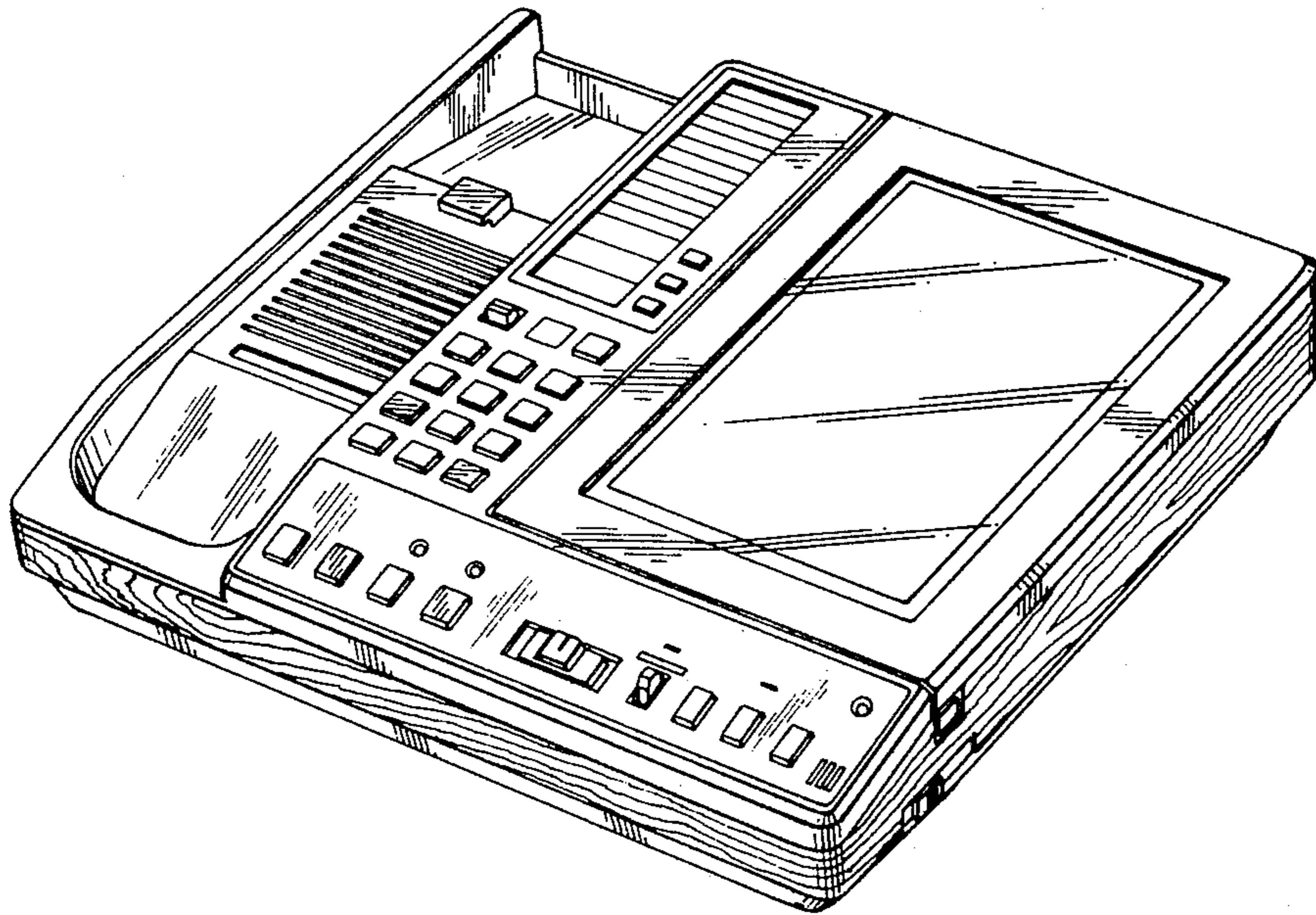


FIG. 2

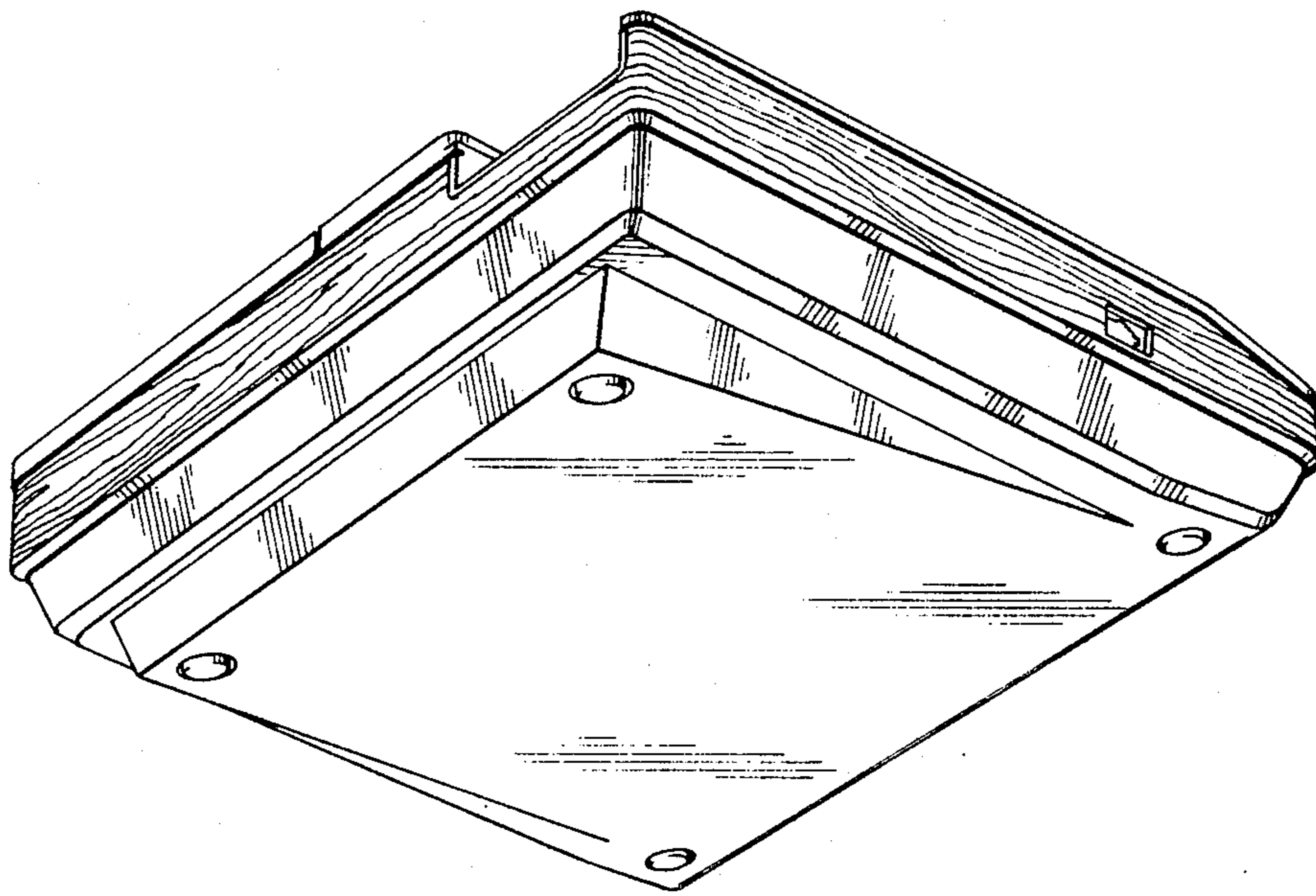


FIG. 3

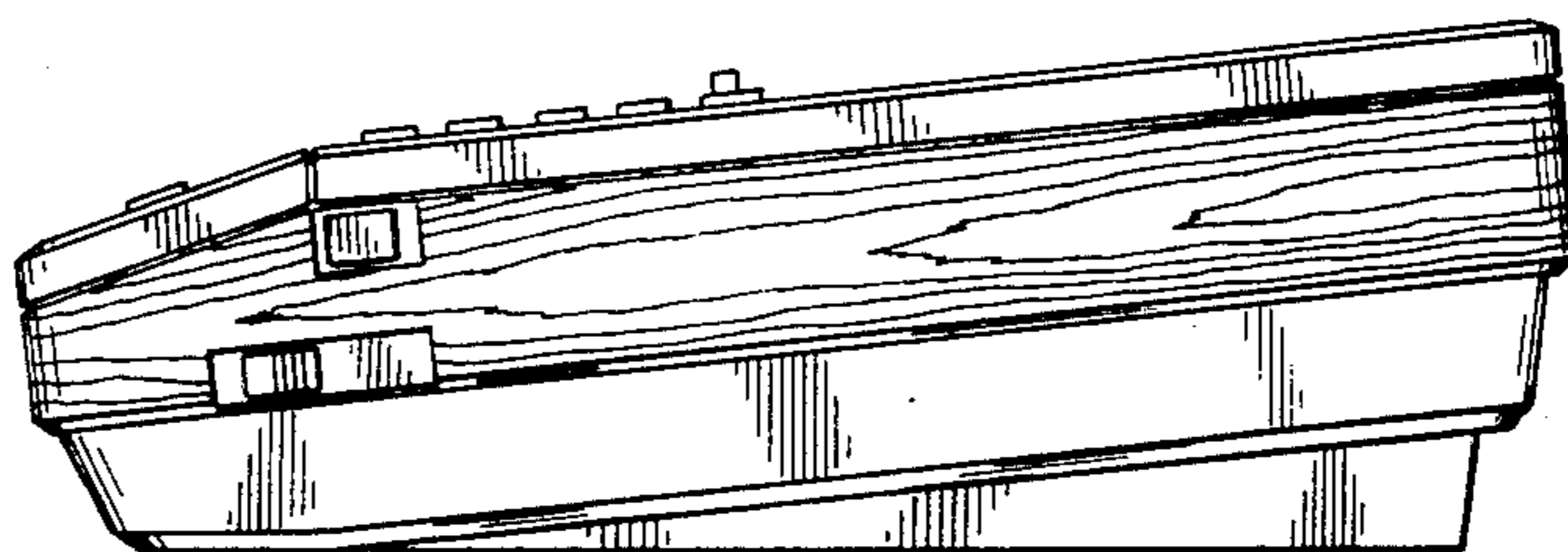


FIG. 4

