

[54] MAGNETIC TAPE CASSETTE OR THE LIKE

[75] Inventors: Yuko Wada; Toshio Ohya, both of Tokyo, Japan

[73] Assignee: Sony Corporation, Tokyo, Japan

[**] Term: 14 Years

[21] Appl. No.: 566,900

[22] Filed: Dec. 29, 1983

[30] Foreign Application Priority Data

Jul. 4, 1983 [JP] Japan 58-28940

[52] U.S. Cl. D14/11

[58] Field of Search D14/11; 242/197-200; 360/92, 93

[56] References Cited

U.S. PATENT DOCUMENTS

- D. 258,287 2/1981 Hashimoto et al. D14/11
- D. 266,419 10/1982 Hashimoto et al. D14/11

- 3,404,848 10/1968 Fundingsland 242/199 X
- 3,900,171 8/1975 Scrizawa 242/198
- 3,950,787 4/1976 Hosaka 360/93 X

Primary Examiner—Bernard Ansher
Assistant Examiner—Terry Pfeffer
Attorney, Agent, or Firm—Lewis H. Eslinger; Alvin Sinderbrand

[57] CLAIM

The ornamental design for magnetic tape cassette or the like, substantially as shown.

DESCRIPTION

FIG. 1 is a front perspective view of a magnetic tape cassette or the like showing our new design;
FIG. 2 is a top plan view thereof;
FIG. 3 is a bottom plan view thereof;
FIG. 4 is a front elevational view thereof;
FIG. 5 is a rear elevational view thereof;
FIG. 6 is a right side elevational view thereof; and
FIG. 7 is a left side elevational view thereof.

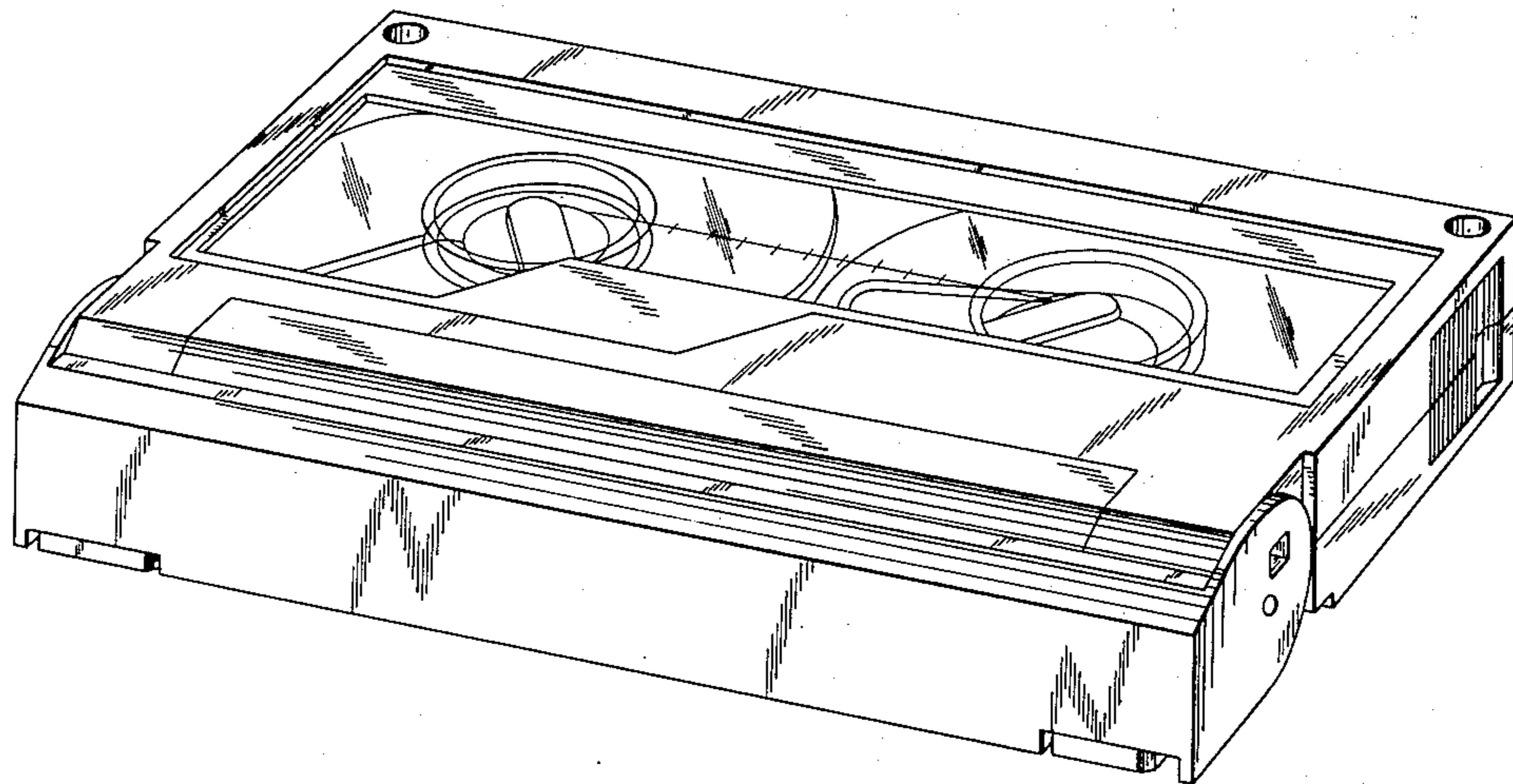


FIG. 1

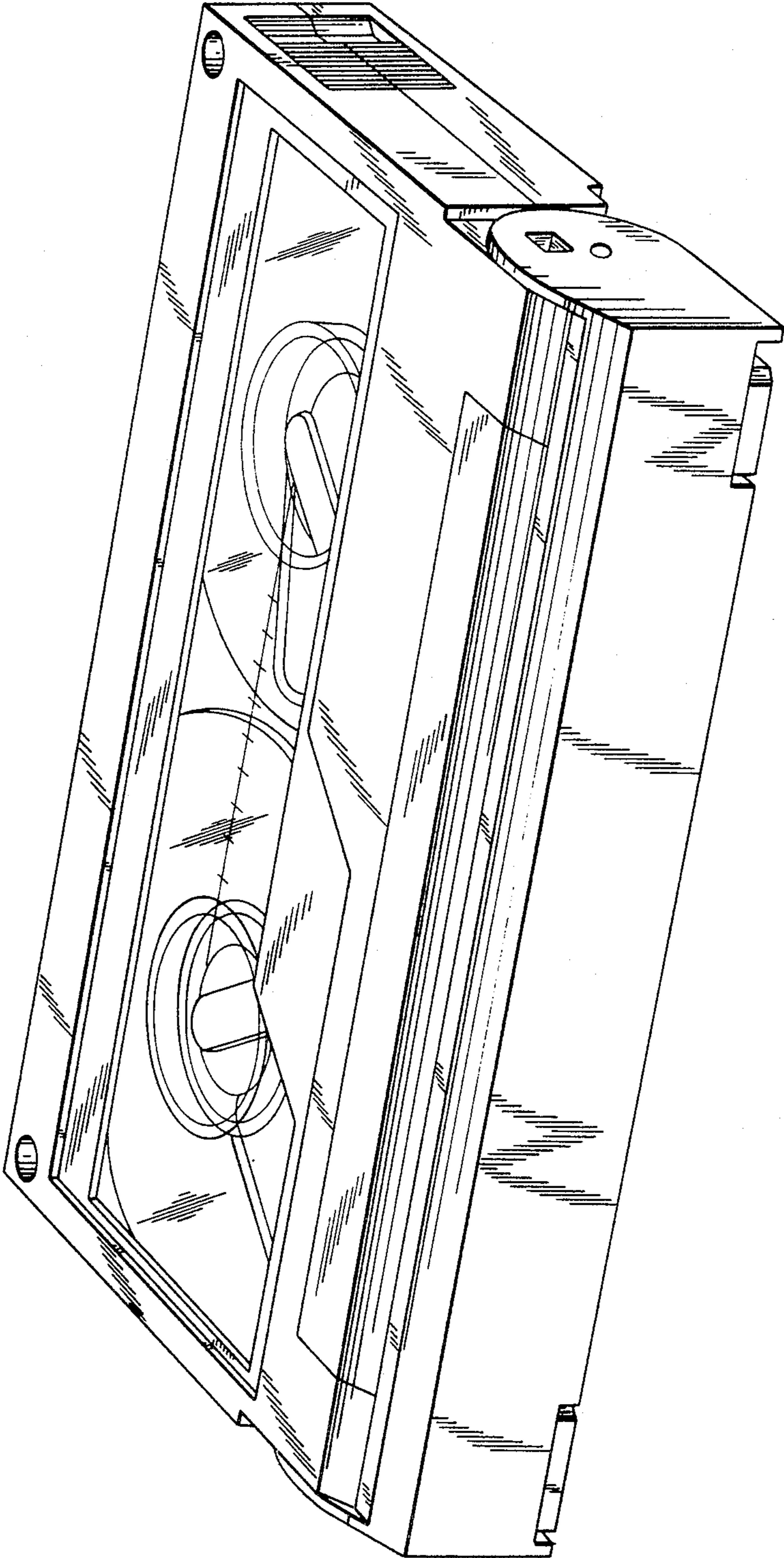


FIG. 2

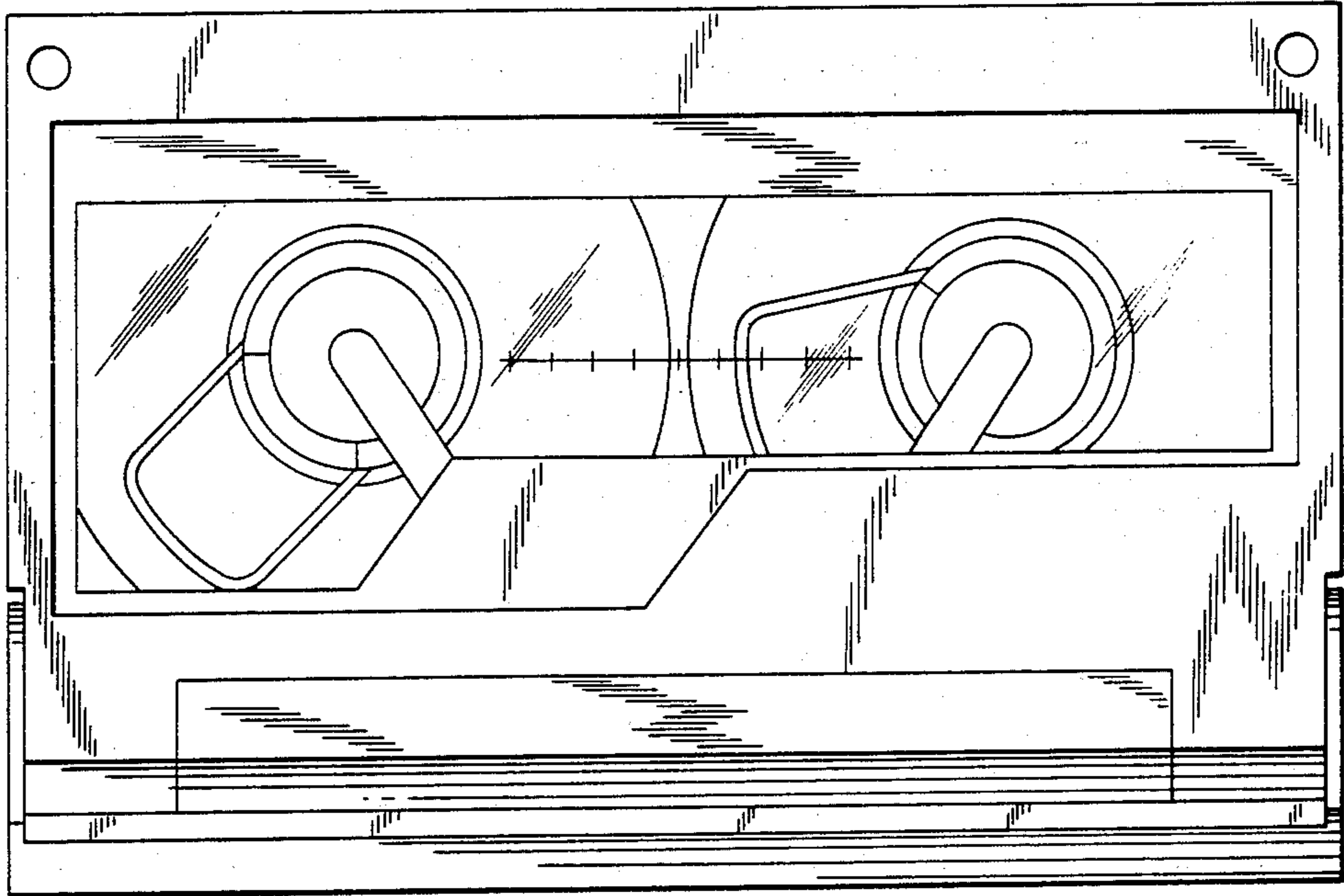


FIG. 4

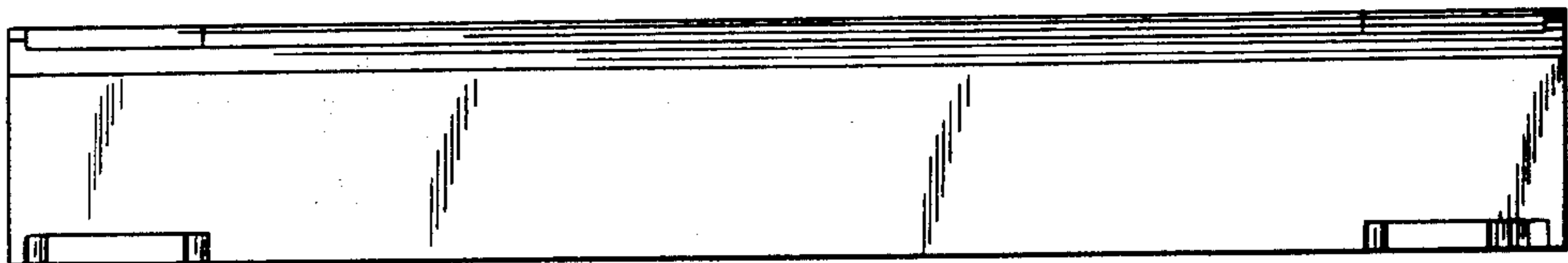


FIG. 3

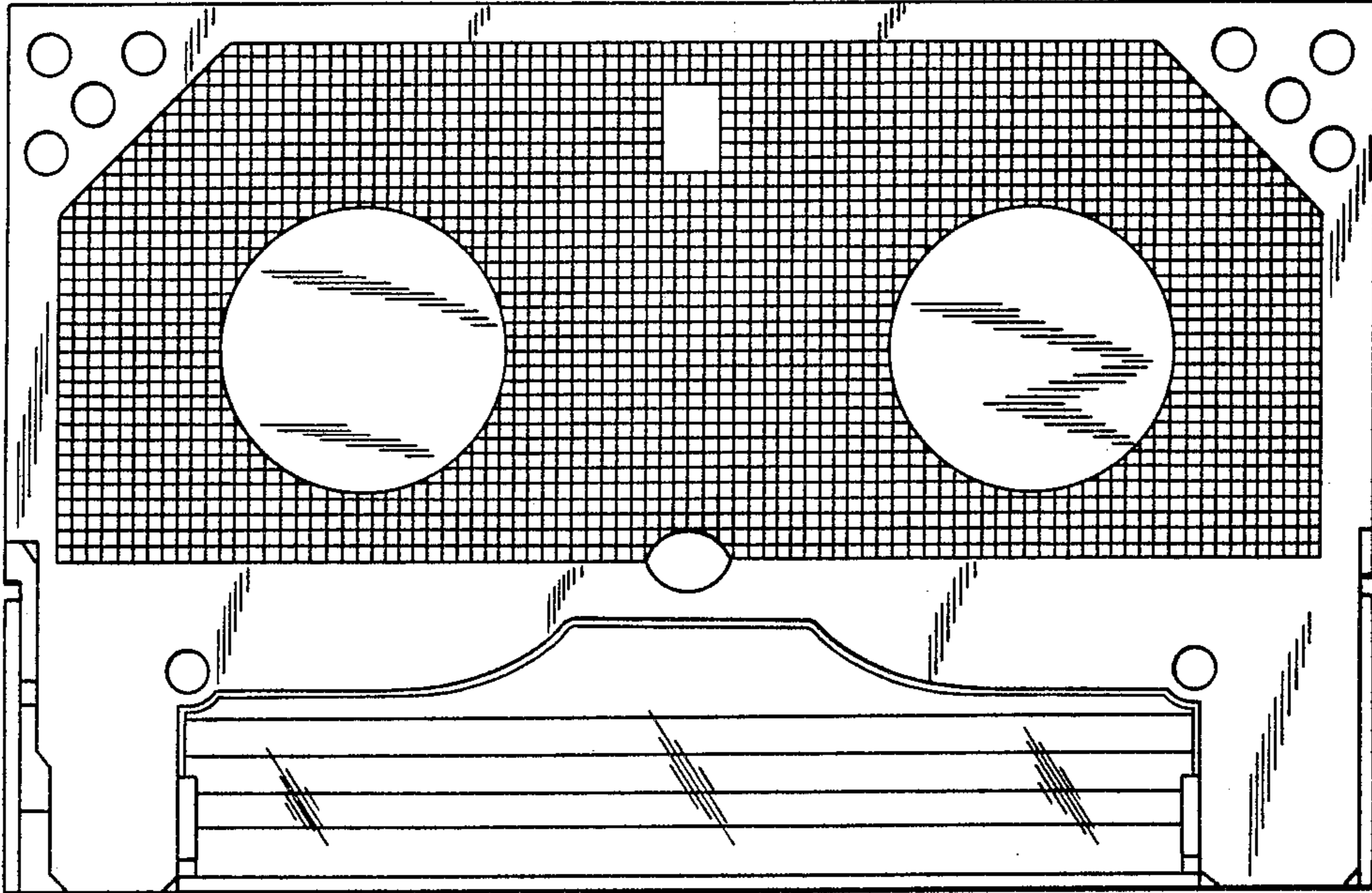


FIG. 6

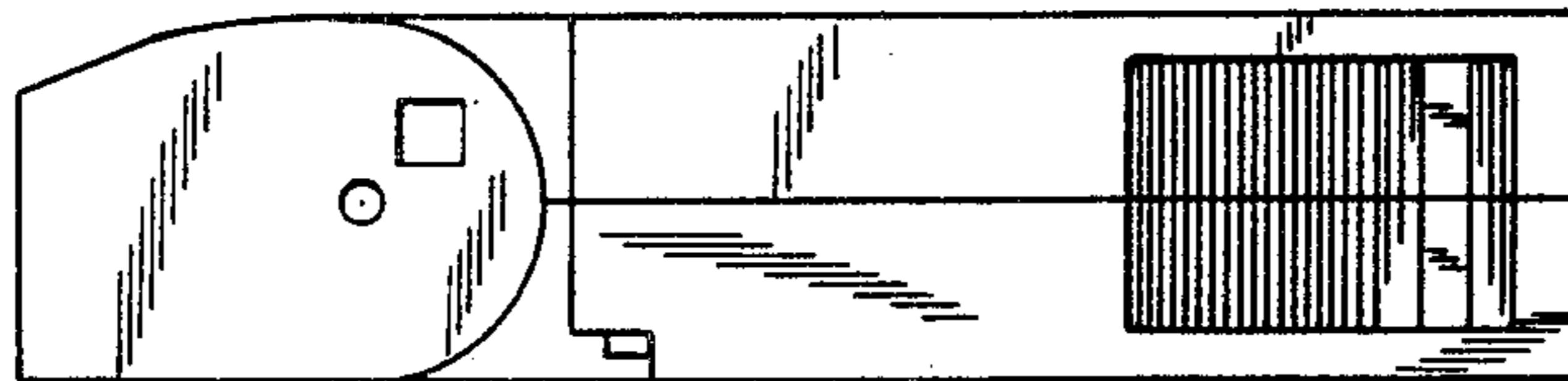


FIG. 5

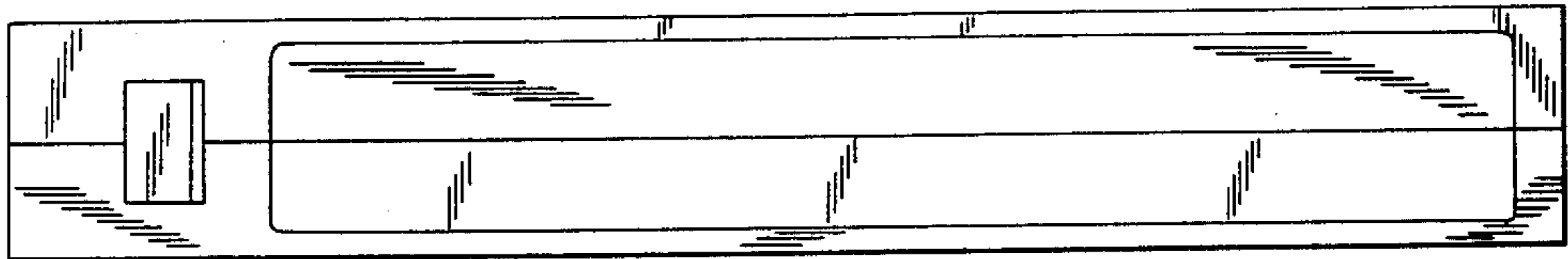


FIG. 7

