

[54] REAR VIEW MIRROR

[75] Inventor: Alberto Vitaloni, Turin, Italy

[73] Assignee: Vitaloni S.p.A., Beinasco, Italy

[\*\*] Term: 14 Years

[21] Appl. No.: 582,780

[22] Filed: Feb. 23, 1984

[52] U.S. Cl. .... D12/187

[58] Field of Search ..... D12/187; 350/600, 631-636

[56] References Cited

U.S. PATENT DOCUMENTS

- D. 261,754 11/1981 Vitaloni ..... D12/187
- D. 271,480 11/1983 Vitaloni ..... D12/187
- D. 279,666 7/1985 Tanaka ..... D12/187

Primary Examiner—James M. Gandy

Attorney, Agent, or Firm—Robbins & Laramie

[57] CLAIM

The ornamental design for a rear view mirror, as shown and described.

DESCRIPTION

FIG. 1 is a perspective view of the front, top and one

side of a rear view mirror showing my new design which is mountable on the left side of a motor vehicle; FIG. 2 is a front elevational view thereof; FIG. 3 is a top plan view thereof; FIG. 4 is a rear elevational view thereof in inverted condition; FIG. 5 is a bottom plan view thereof; FIG. 6 is an elevational view of one side thereof; FIG. 7 is an elevational view of the other side thereof; FIG. 8 is a perspective view of the front, top and one side or a rear view mirror showing a second embodiment of my new design, the sole difference being that it is mountable on the left side of a motor vehicle; FIG. 9 is a front elevational view of the embodiment of FIG. 8; FIG. 10 is a top plan view of the embodiment of FIG. 8; FIG. 11 is a rear elevational view of the embodiment of FIG. 8 in inverted condition; FIG. 12 is a bottom plan view of the embodiment of FIG. 8; FIG. 13 is an elevational view of one side of the embodiment of FIG. 8; FIG. 14 is an elevational view of the other side of the embodiment of FIG. 8.

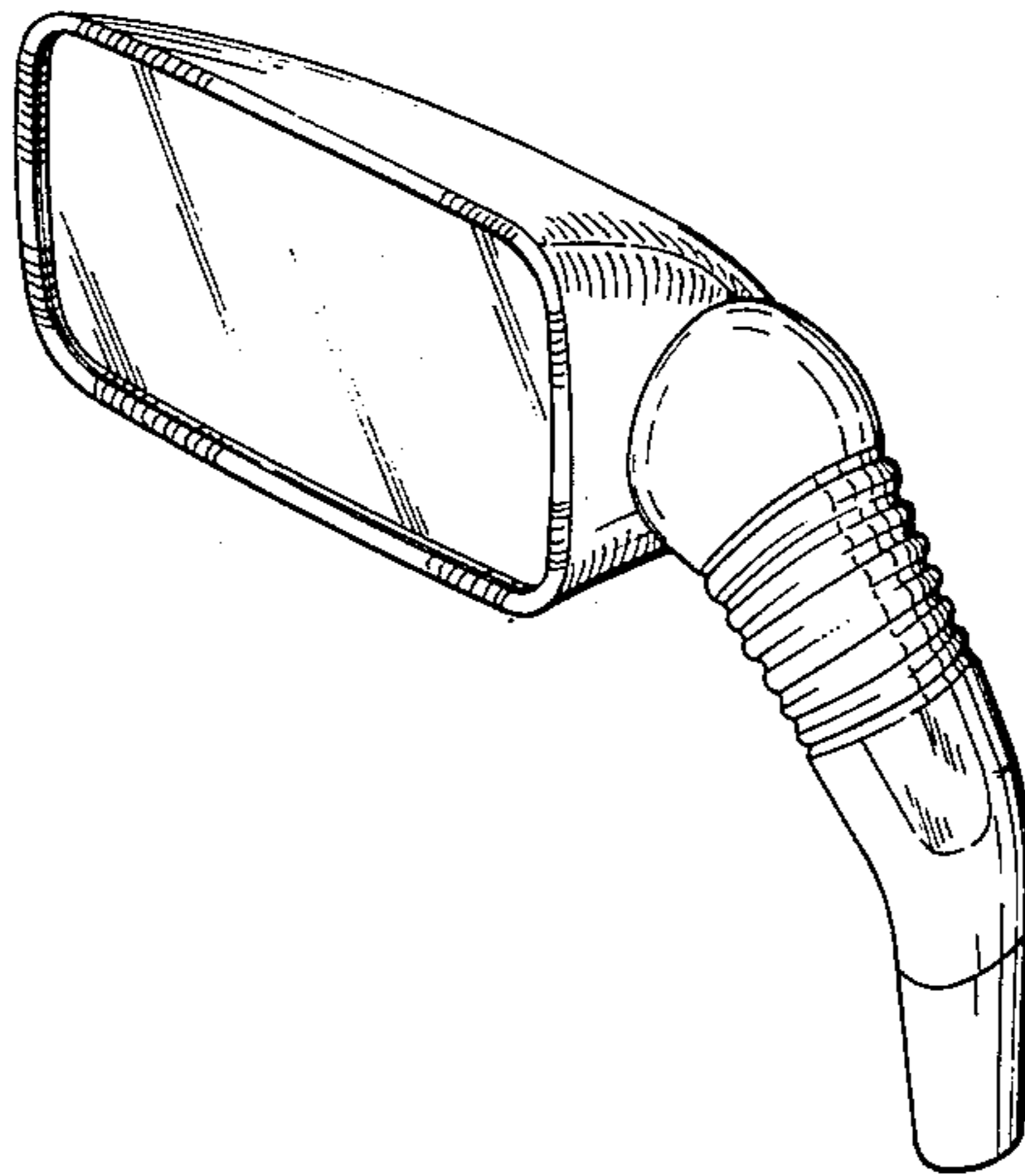
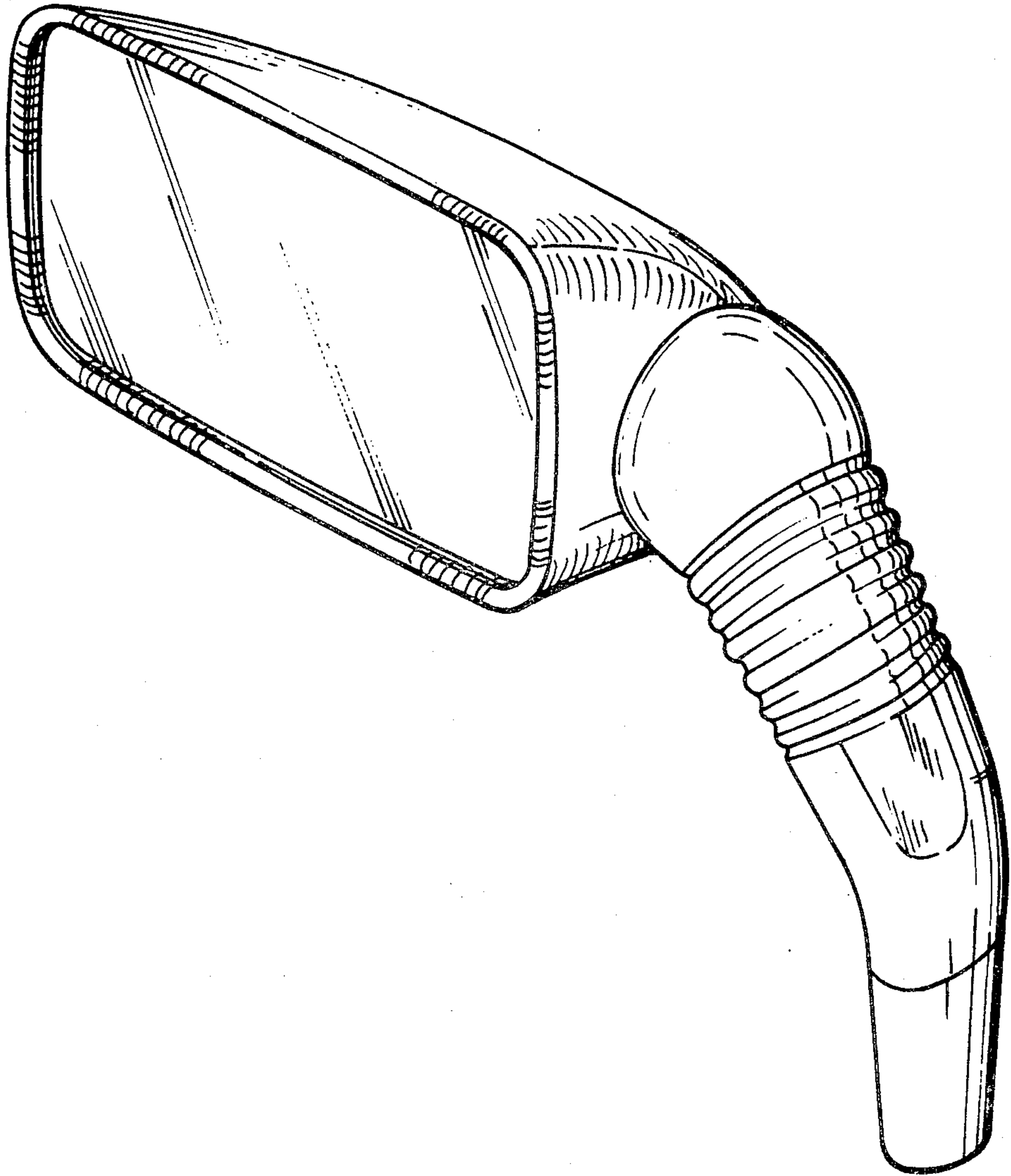


FIG. 1



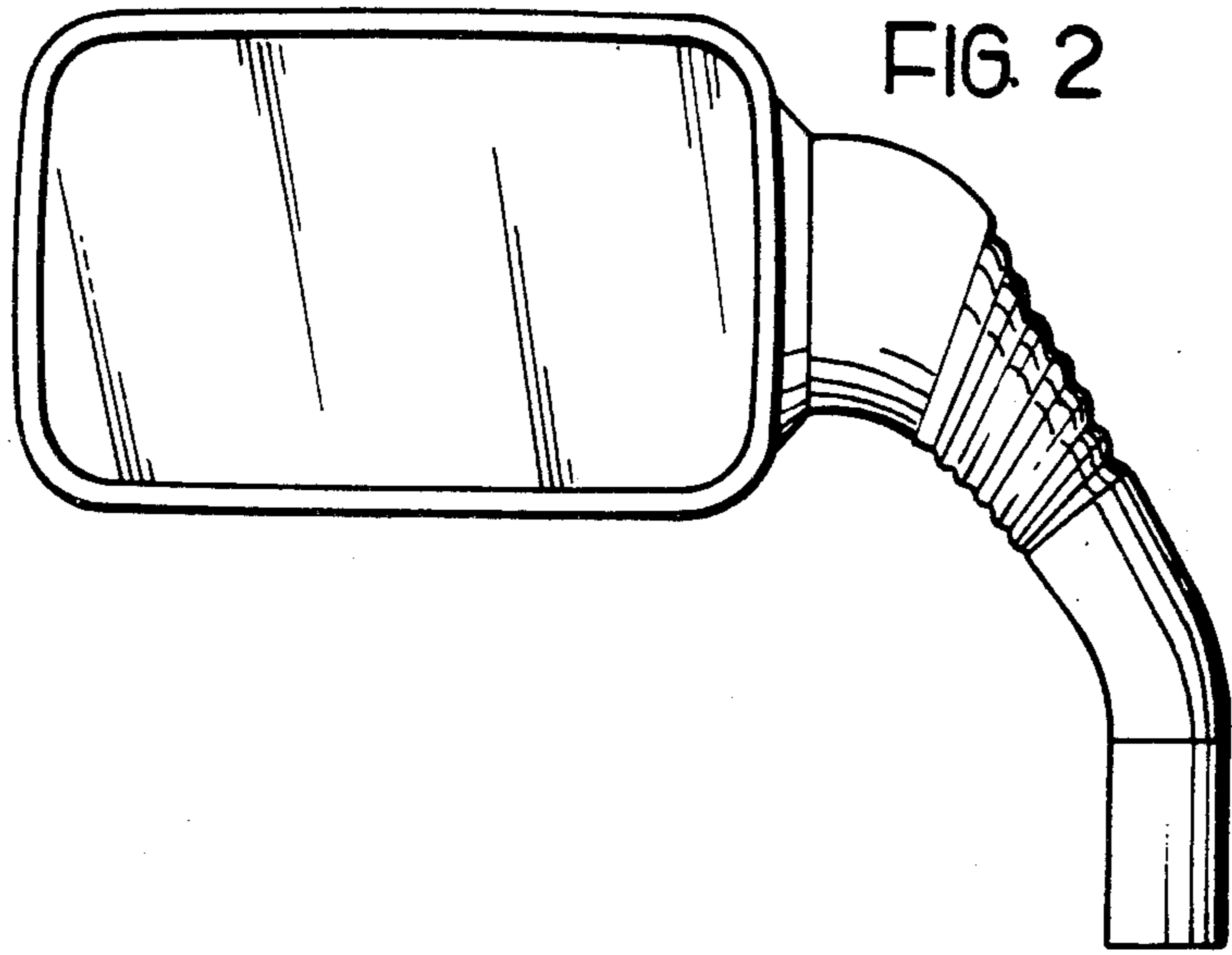


FIG. 2

FIG. 3

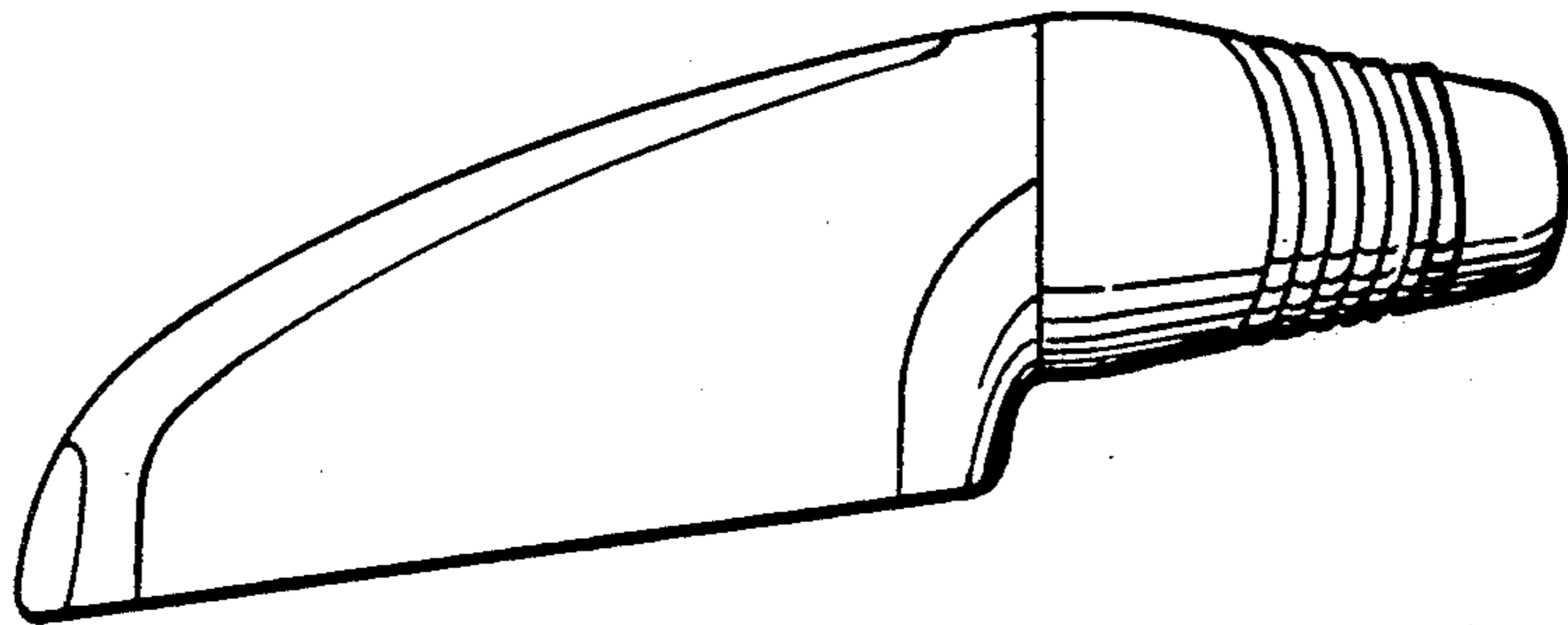


FIG. 4

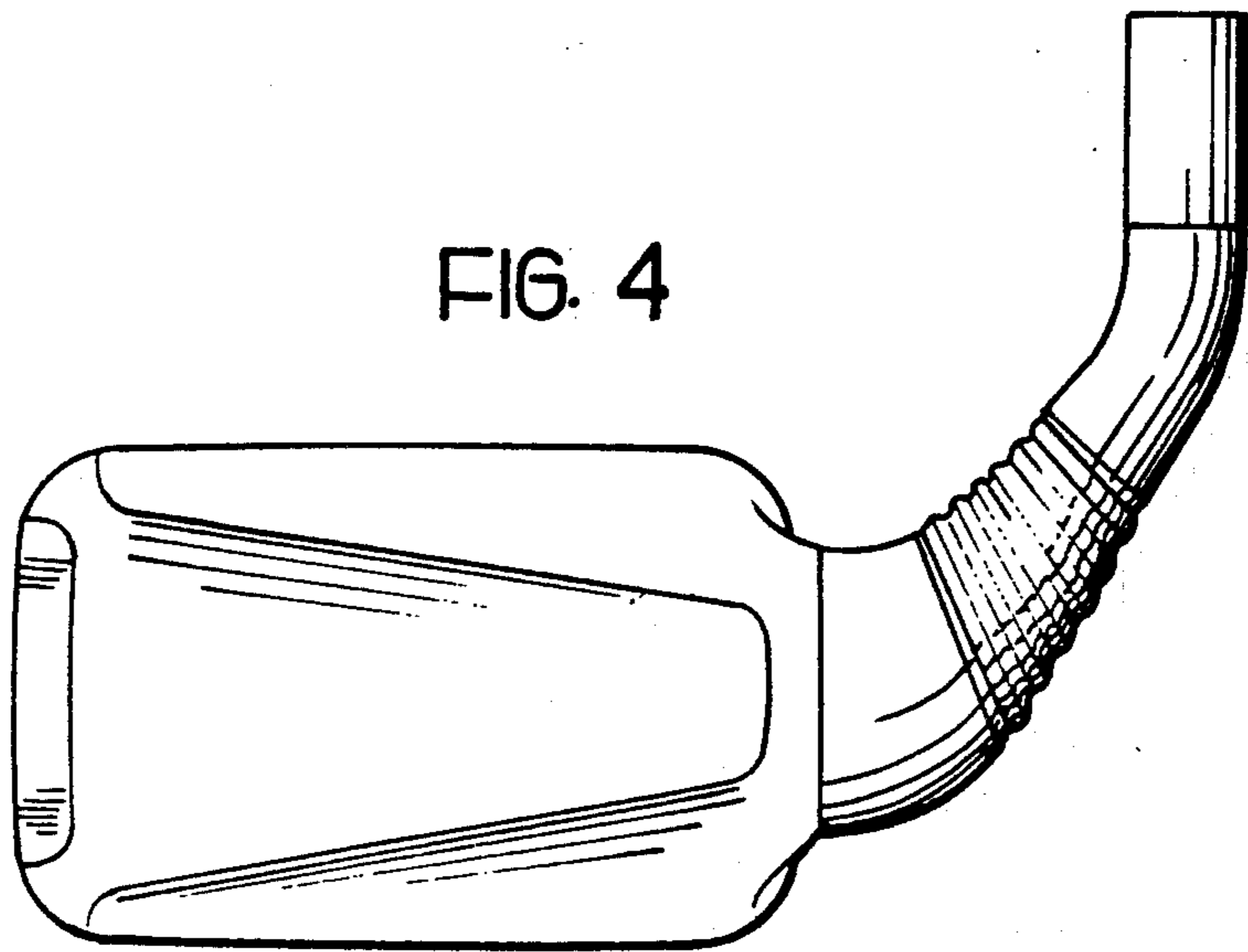


FIG. 5

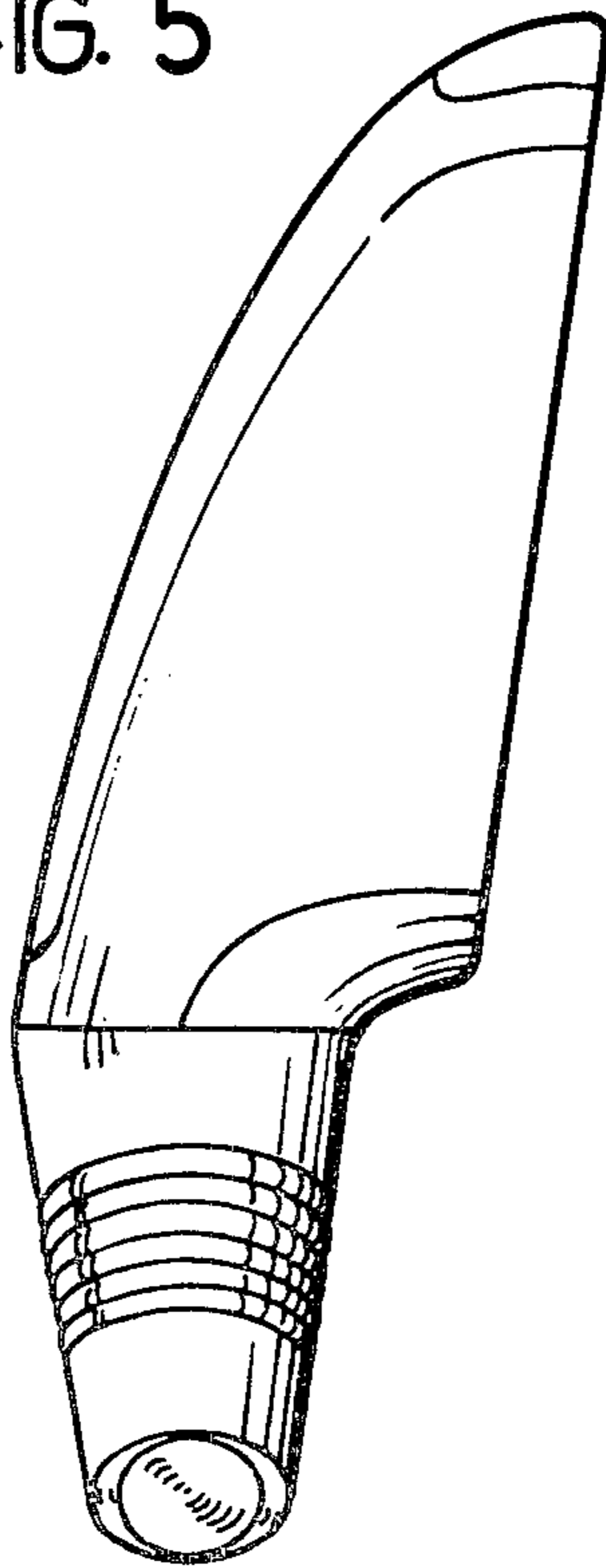


FIG. 6

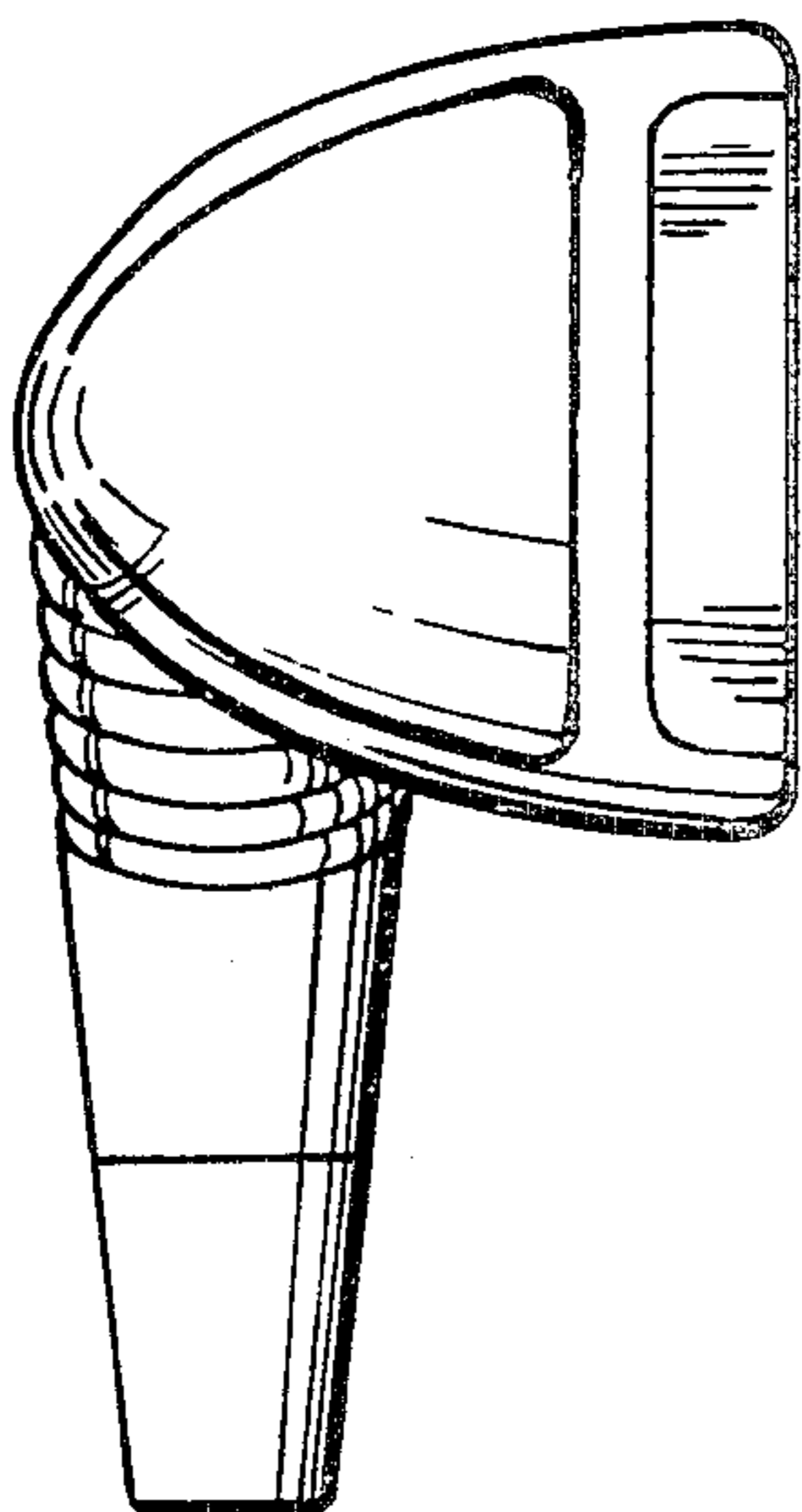


FIG. 7

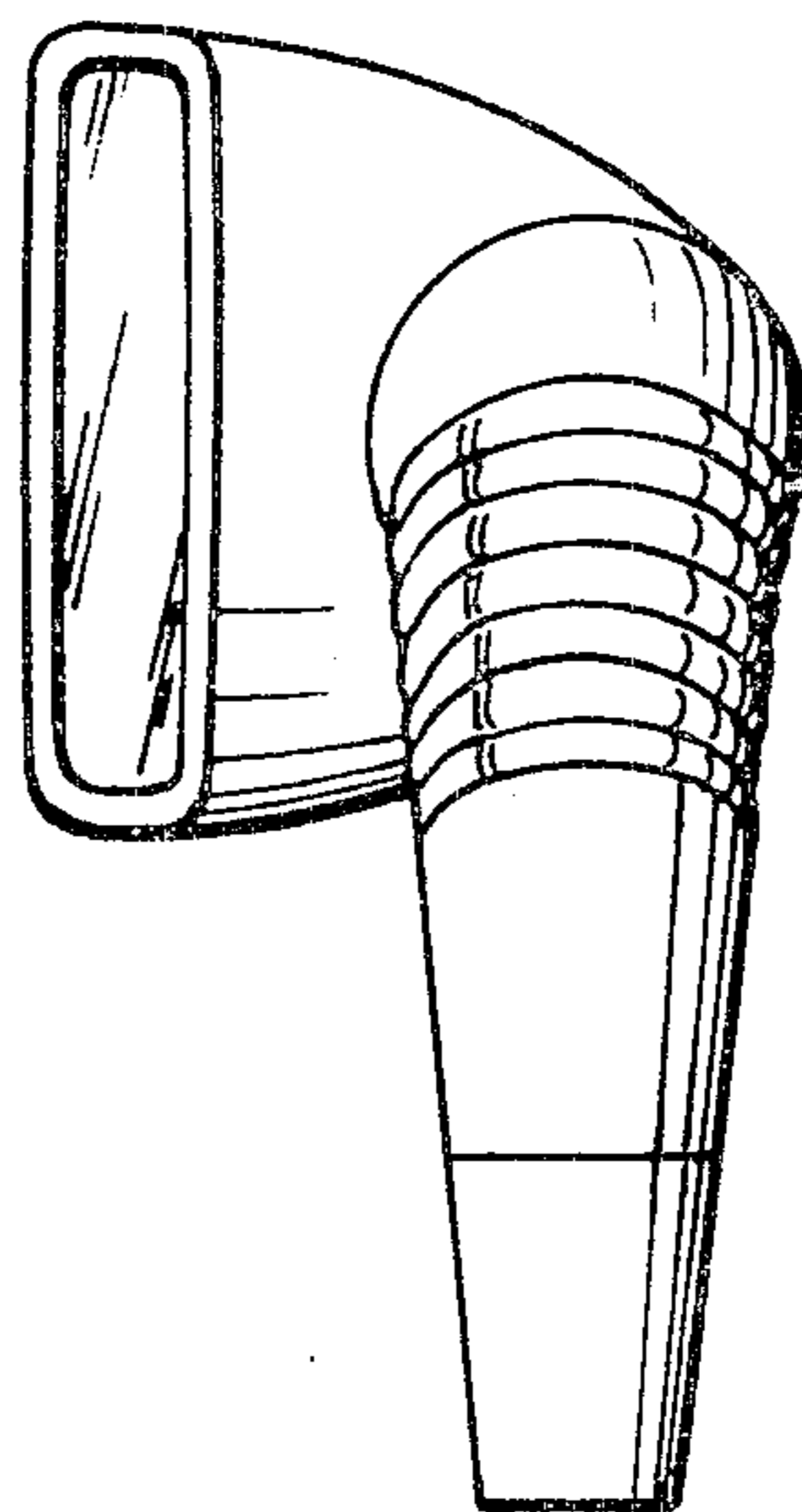


FIG. 8

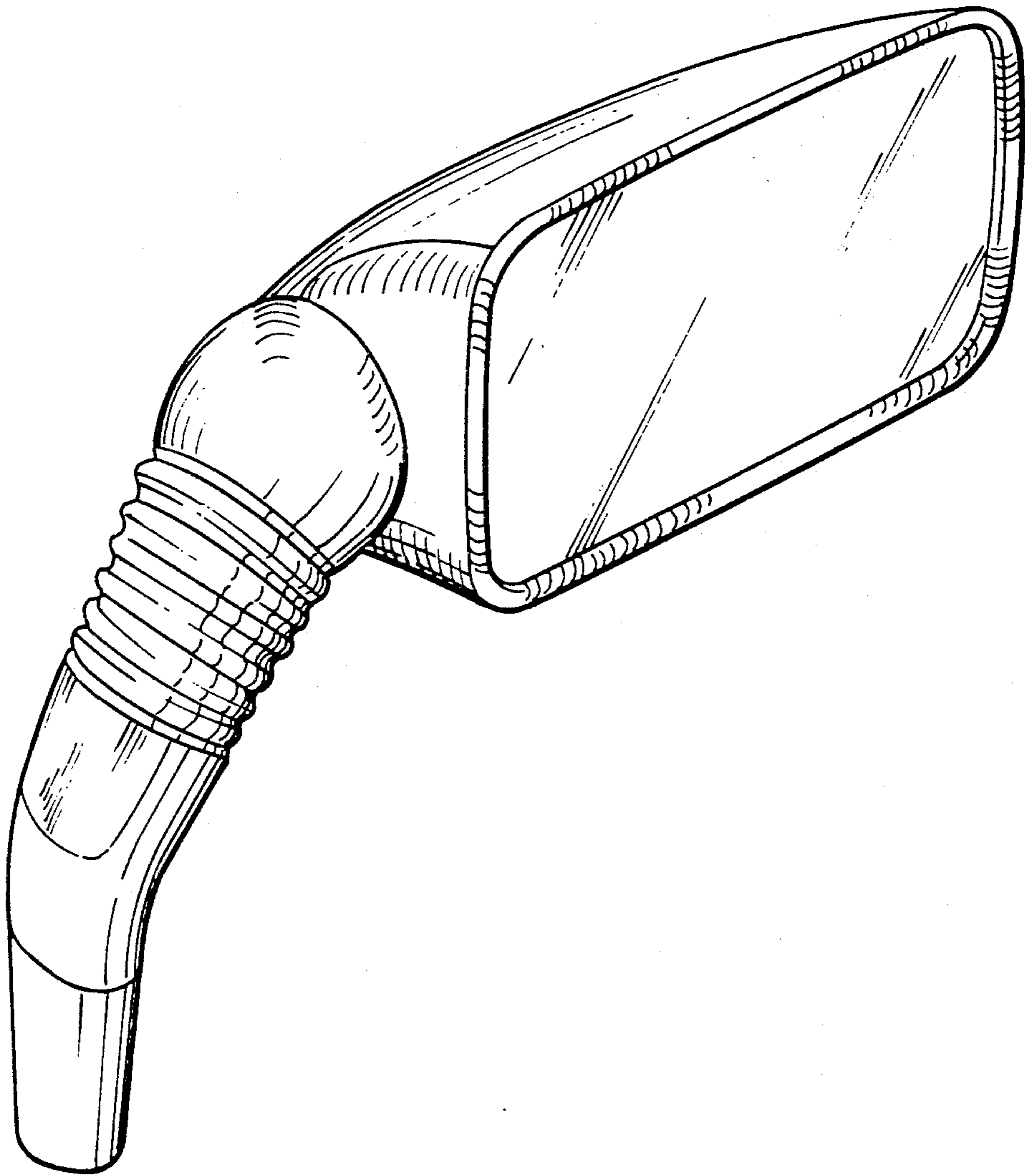




FIG. 9

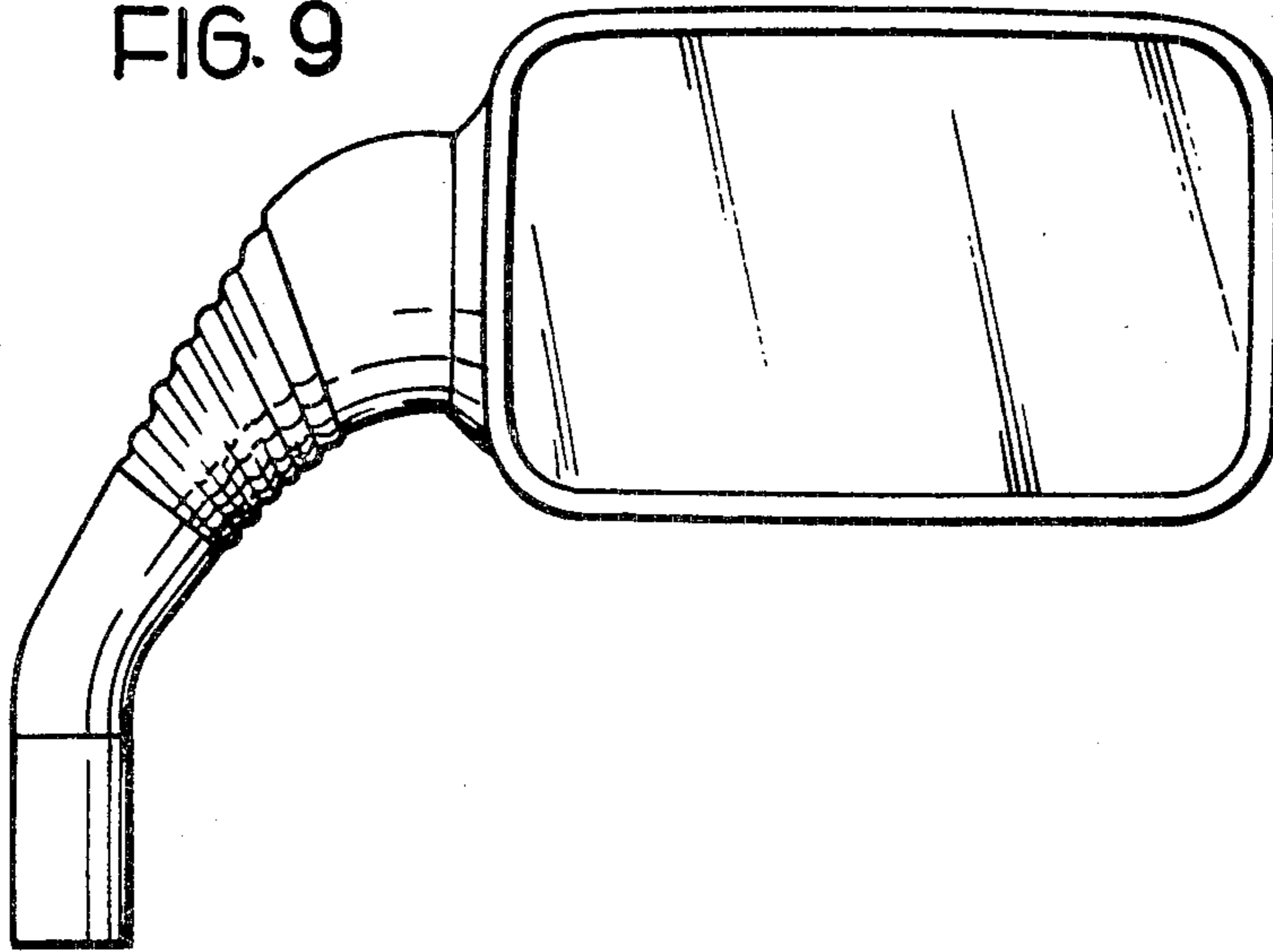


FIG. 10

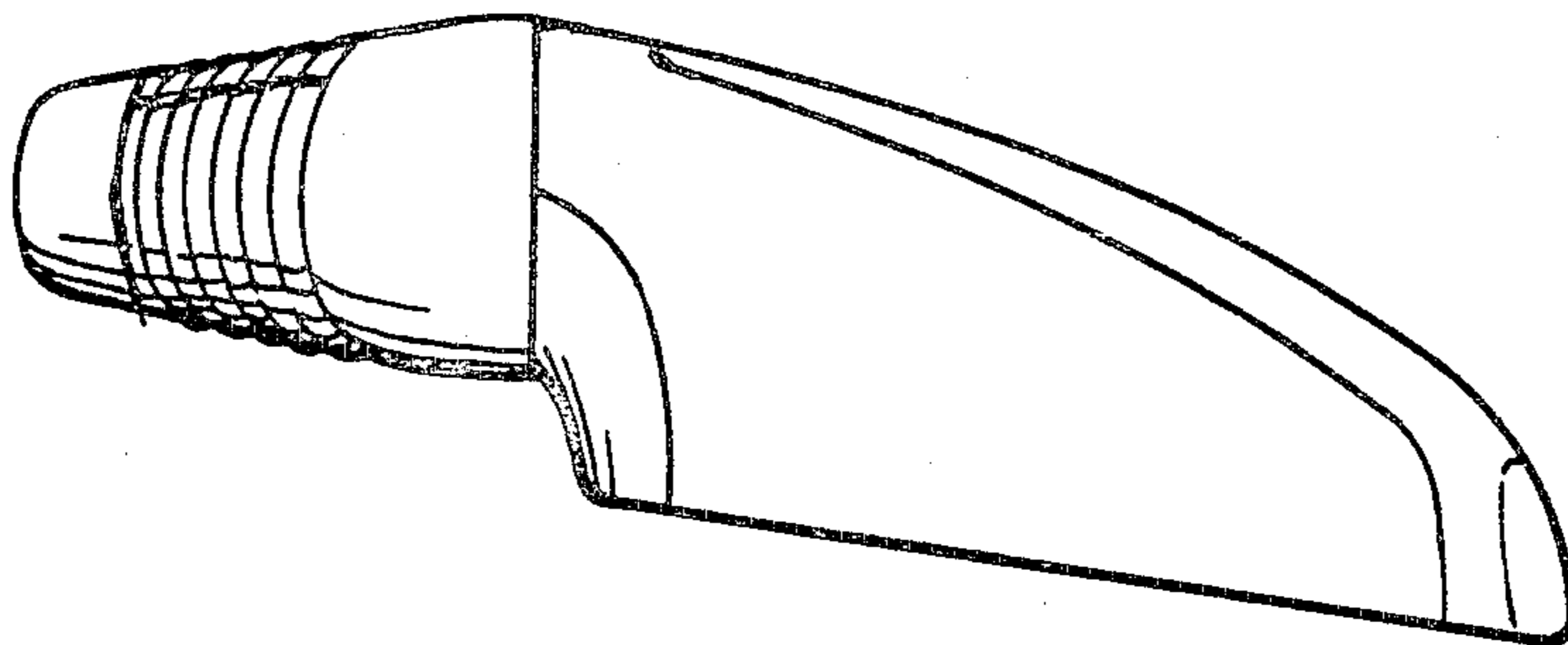


FIG. 11

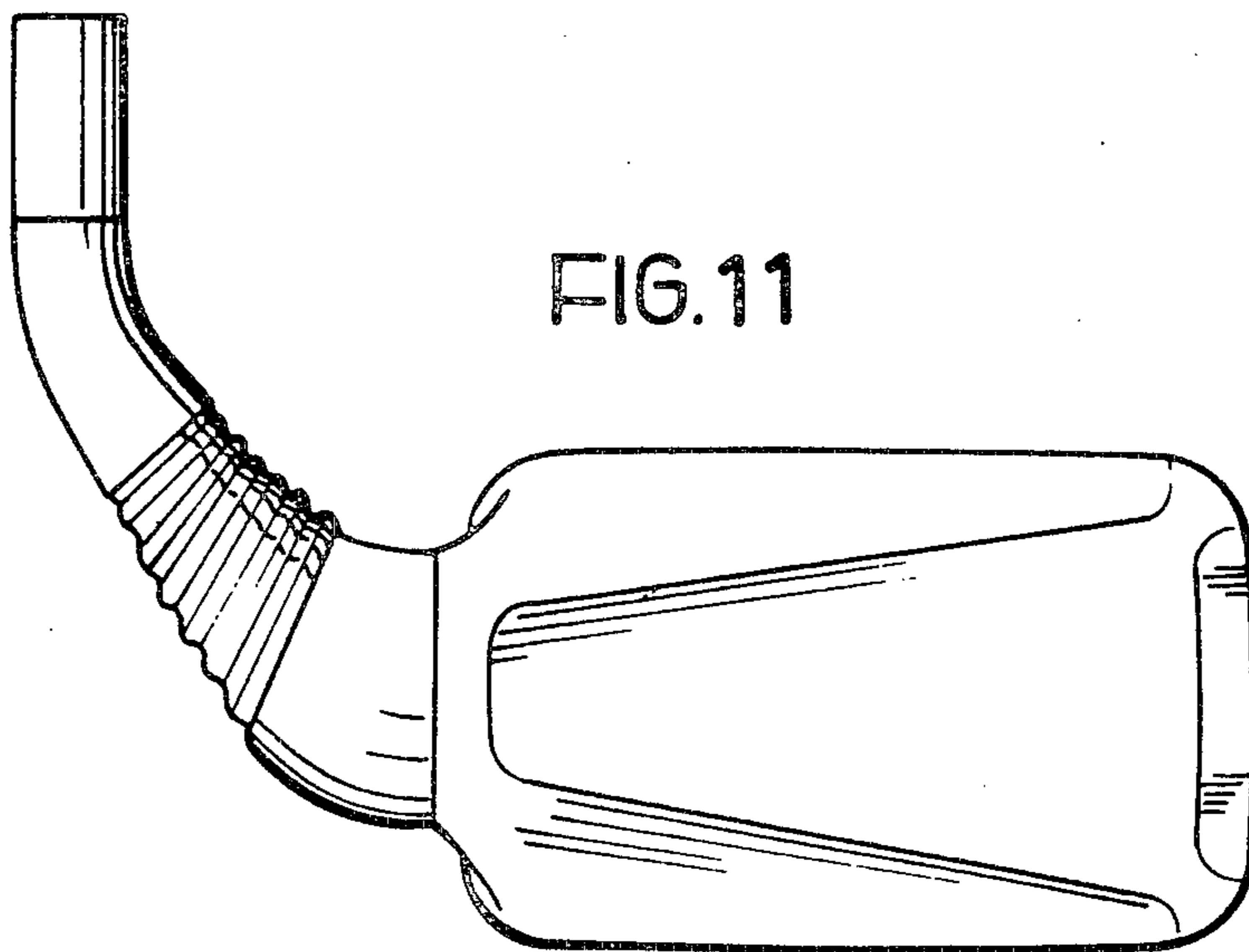


FIG. 12

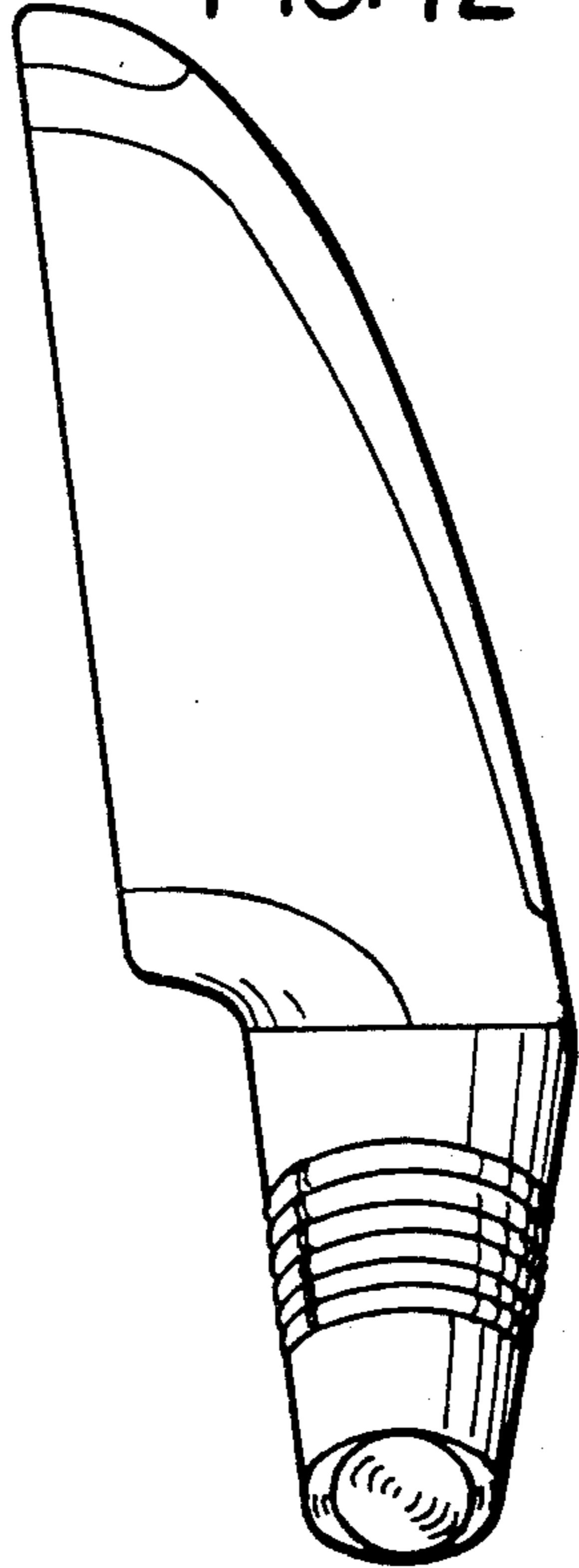


FIG. 14

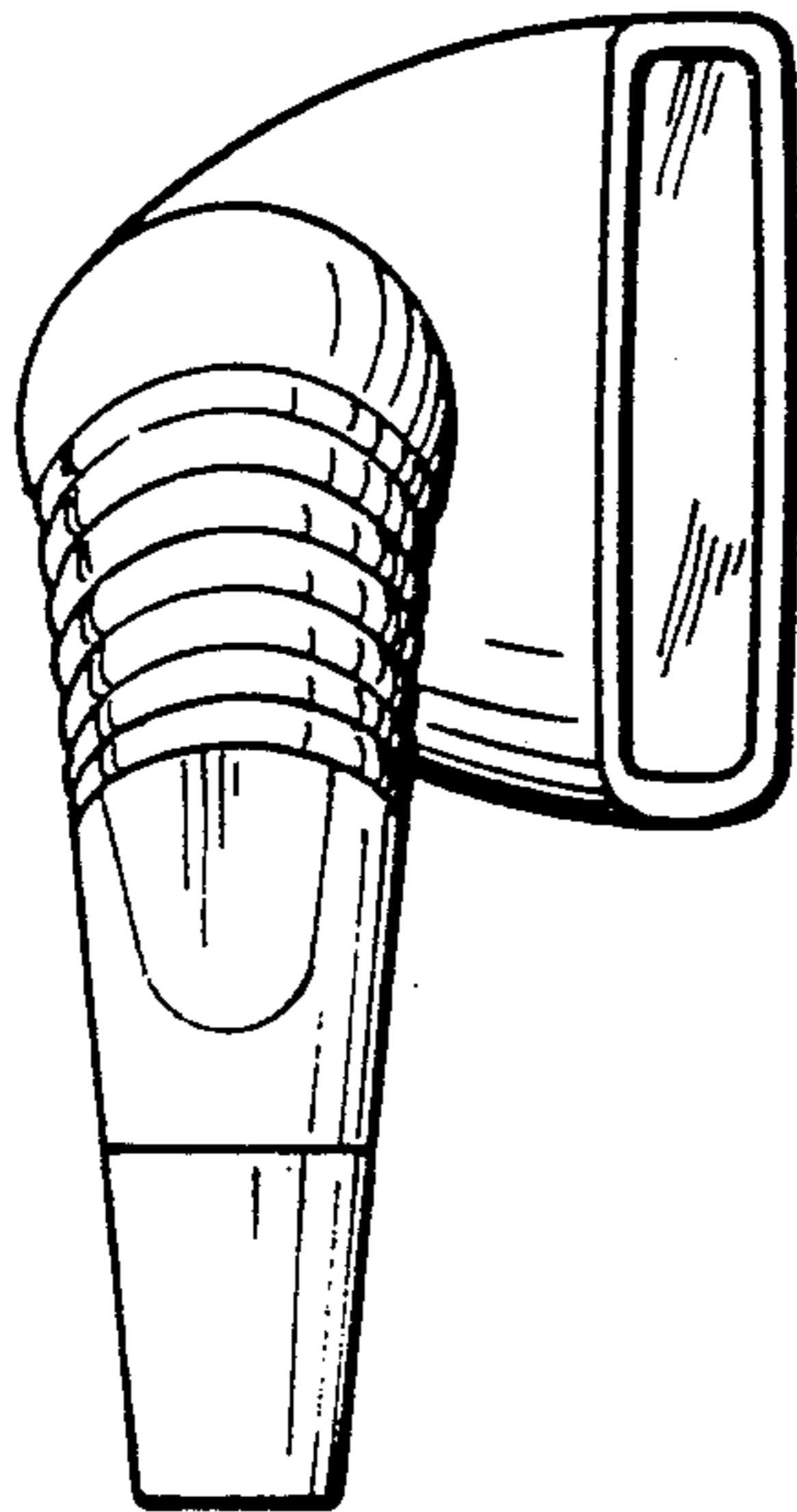


FIG. 13

