

[54] **RADIATOR GRILLE FOR AN AUTOMOBILE**

[75] **Inventor: Tadao Okumura, Toyota, Japan**

[73] **Assignee: Toyota Jidosha Kabushiki Kaisha,  
Toyota, Japan**

[\*\*] **Term: 14 Years**

[21] **Appl. No.: 606,593**

[22] **Filed: May 3, 1984**

[52] **U.S. Cl. .... D12/163**

[58] **Field of Search ..... D12/163; 180/68.6**

[56] **References Cited  
PUBLICATIONS**

Road & Track, 8/83, p. 112, Front Grille of Toyota Corolla SR5, bottom of page.

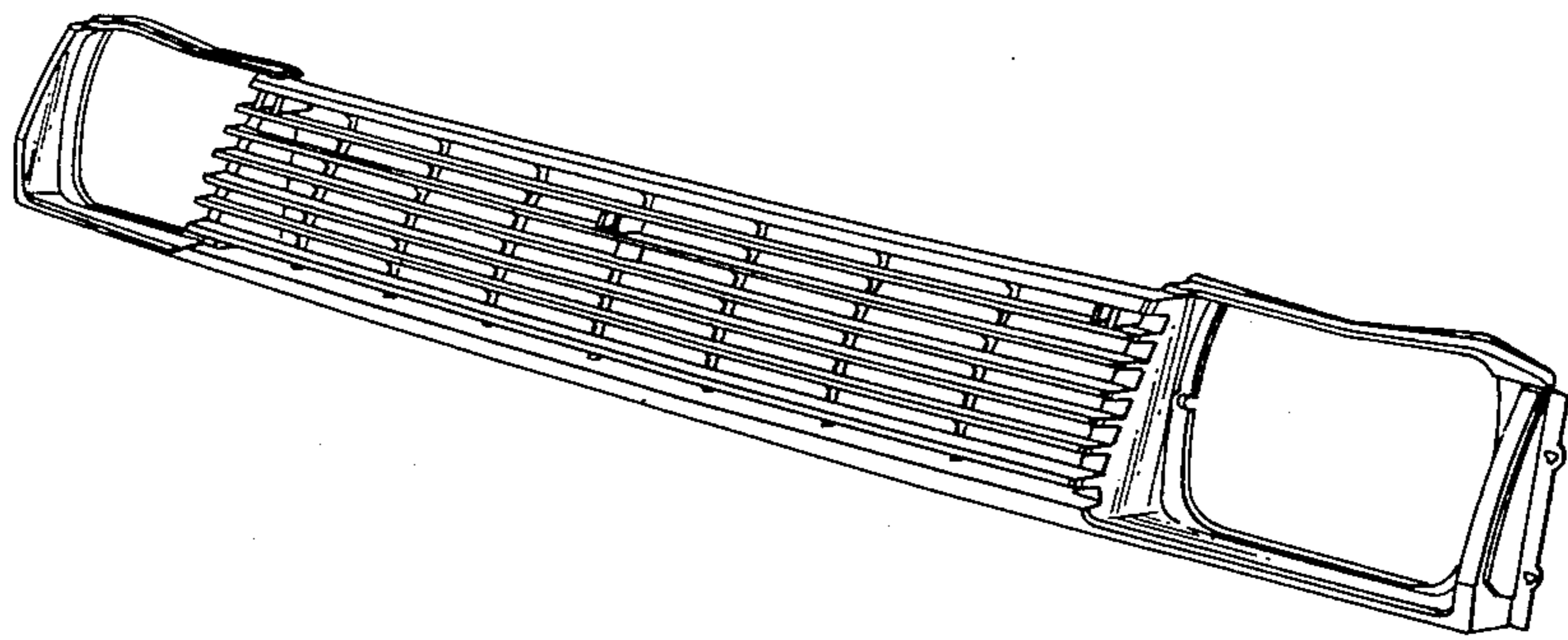
*Primary Examiner*—James M. Gandy  
*Attorney, Agent, or Firm*—Cushman, Darby & Cushman

[57] **CLAIM**

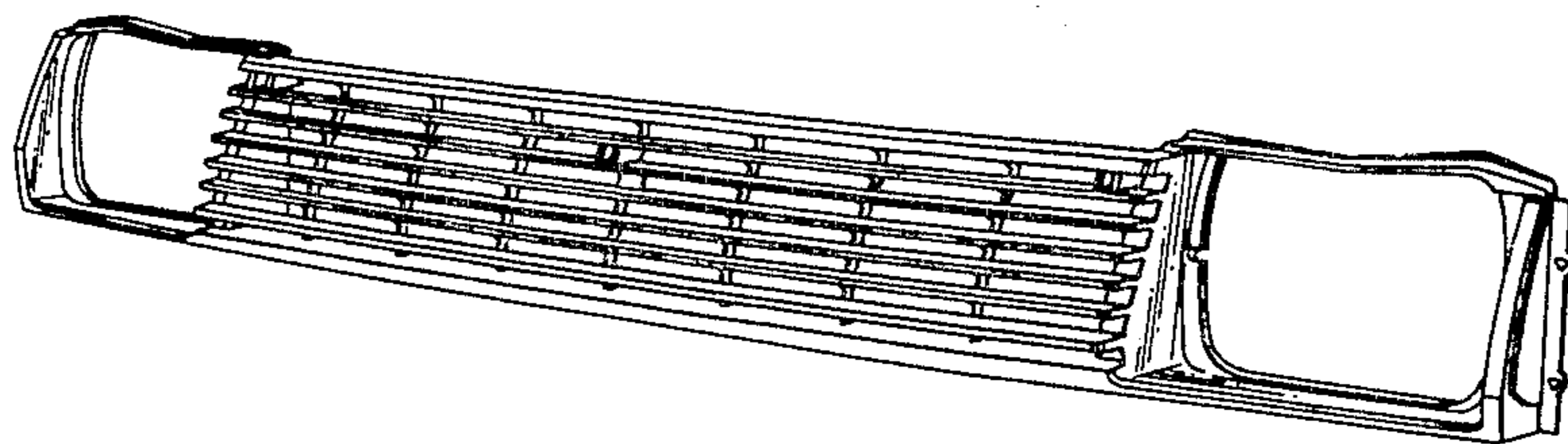
The ornamental design for a radiator grille for an automobile, as shown and described.

**DESCRIPTION**

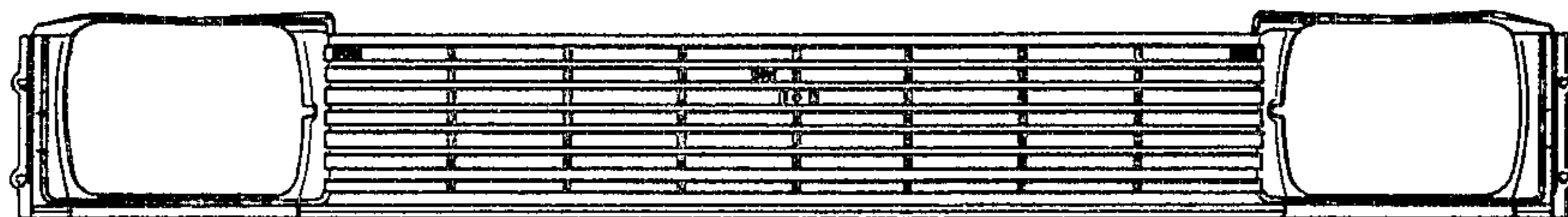
FIG. 1 is a front perspective view of a radiator grille for an automobile showing my new design;  
FIG. 2 is a front elevational view;  
FIG. 3 is a rear elevational view;  
FIG. 4 is a top plan view;  
FIG. 5 is a bottom plan view; and  
FIG. 6 is a left side elevational view, the right side being a mirror image thereof.



*Fig. 1*



*Fig. 2*



*Fig. 3*

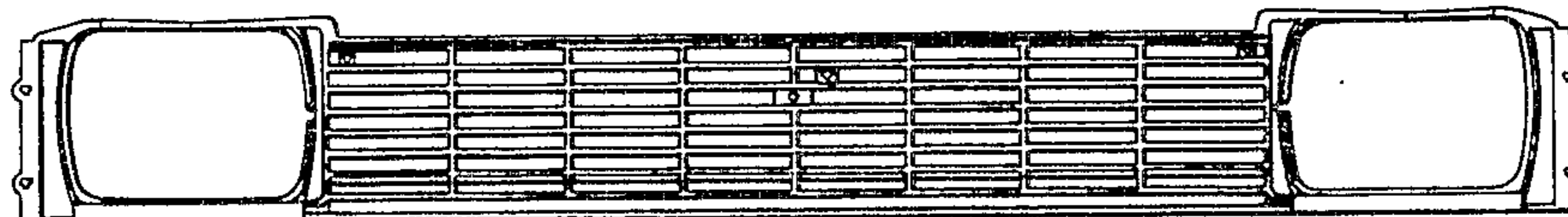


Fig. 4

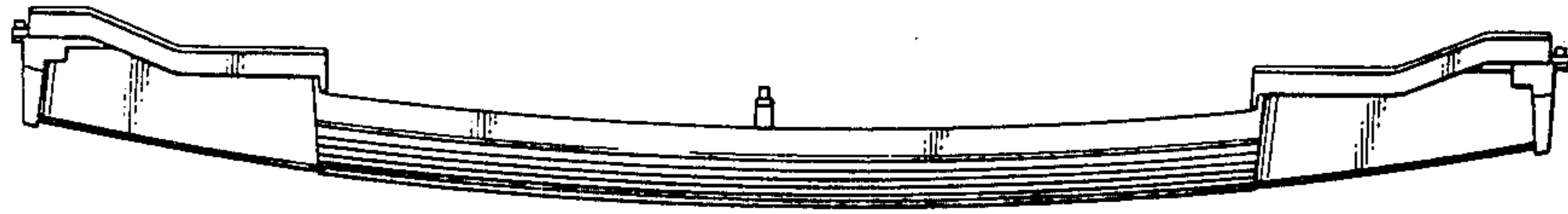


Fig. 5

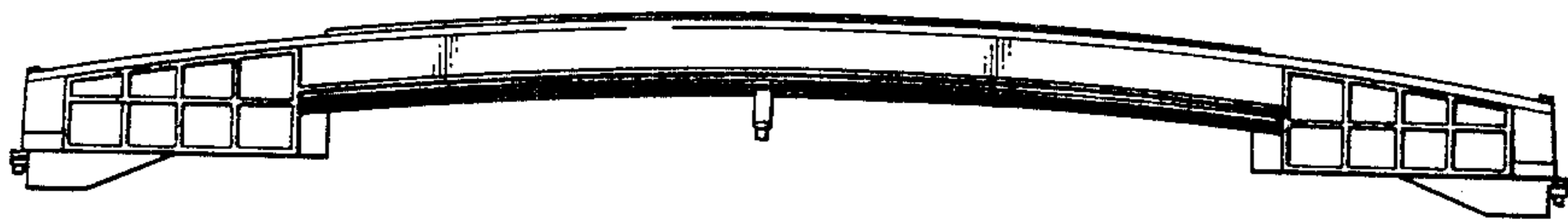


Fig. 6

