

[54] **WHEELCHAIR**

[75] **Inventor: Robert L. Stephenson, Thousand Oaks, Calif.**

[73] **Assignee: Everest & Jennings, Inc., Camarillo, Calif.**

[\*\*] **Term: 14 Years**

[21] **Appl. No.: 629,311**

[22] **Filed: Jul. 6, 1984**

[52] **U.S. Cl. .... D12/131**

[58] **Field of Search ..... D12/131, 132, 128; 280/242 WC, 289 WC; 297/DIG. 4; 180/907**

[56] **References Cited**

**U.S. PATENT DOCUMENTS**

- D. 269,172 5/1983 Minnebraker ..... D12/131
- D. 271,679 12/1983 Minnebraker ..... D12/131
- D. 277,949 3/1985 Minnebraker ..... D12/131

*Primary Examiner*—James M. Gandy

*Assistant Examiner*—Kay H. Chin

*Attorney, Agent, or Firm*—Kelly, Bauersfeld & Lowry

[57] **CLAIM**

The ornamental design for a wheelchair, as shown.

**DESCRIPTION**

FIG. 1 is a perspective view of a wheelchair showing my new design;

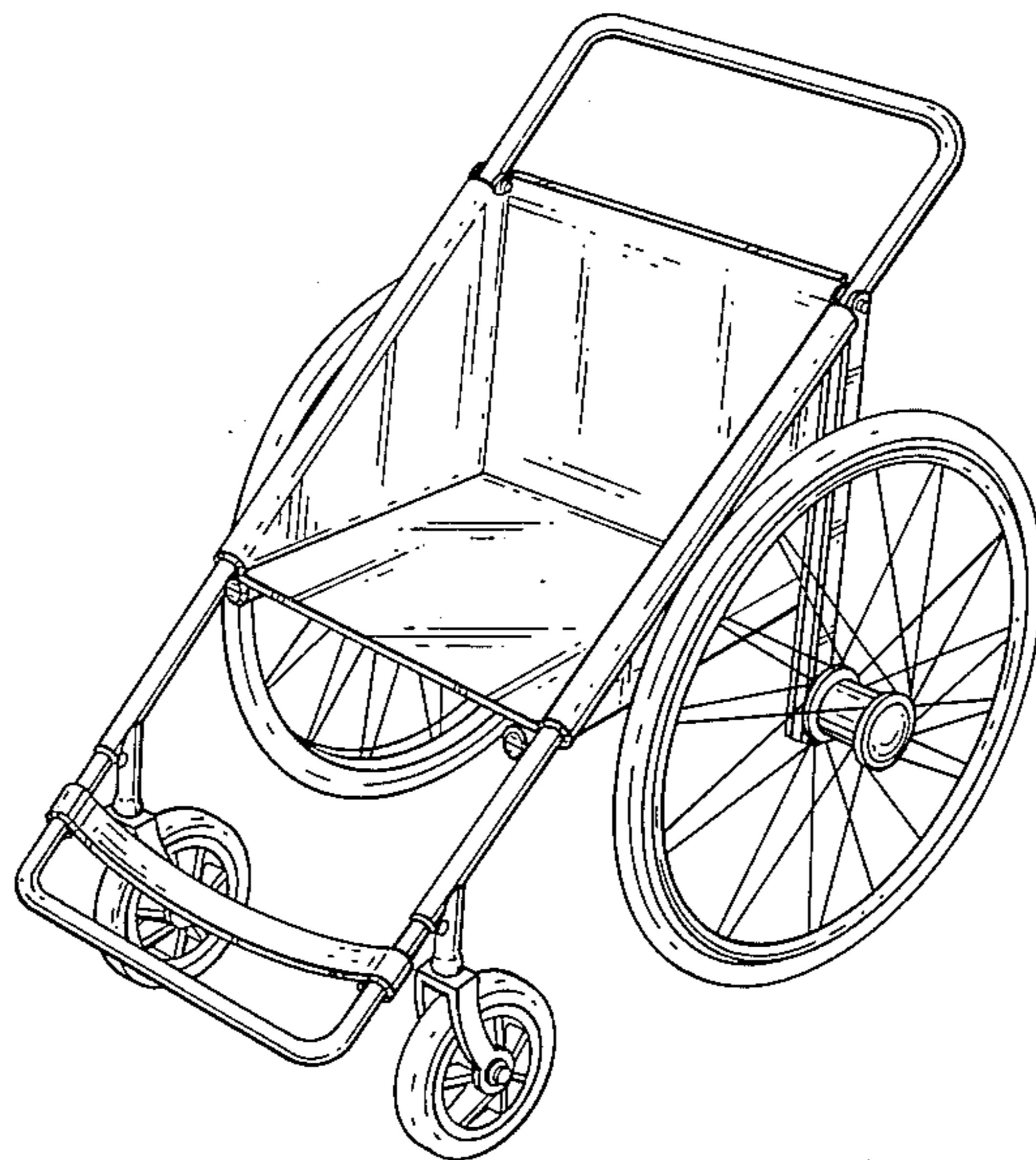
FIG. 2 is a front elevational view thereof;

FIG. 3 is a rear elevational view thereof;

FIG. 4 is a side elevational view thereof;

FIG. 5 is a top plan view thereof;

FIG. 6 is a bottom plan view thereof.



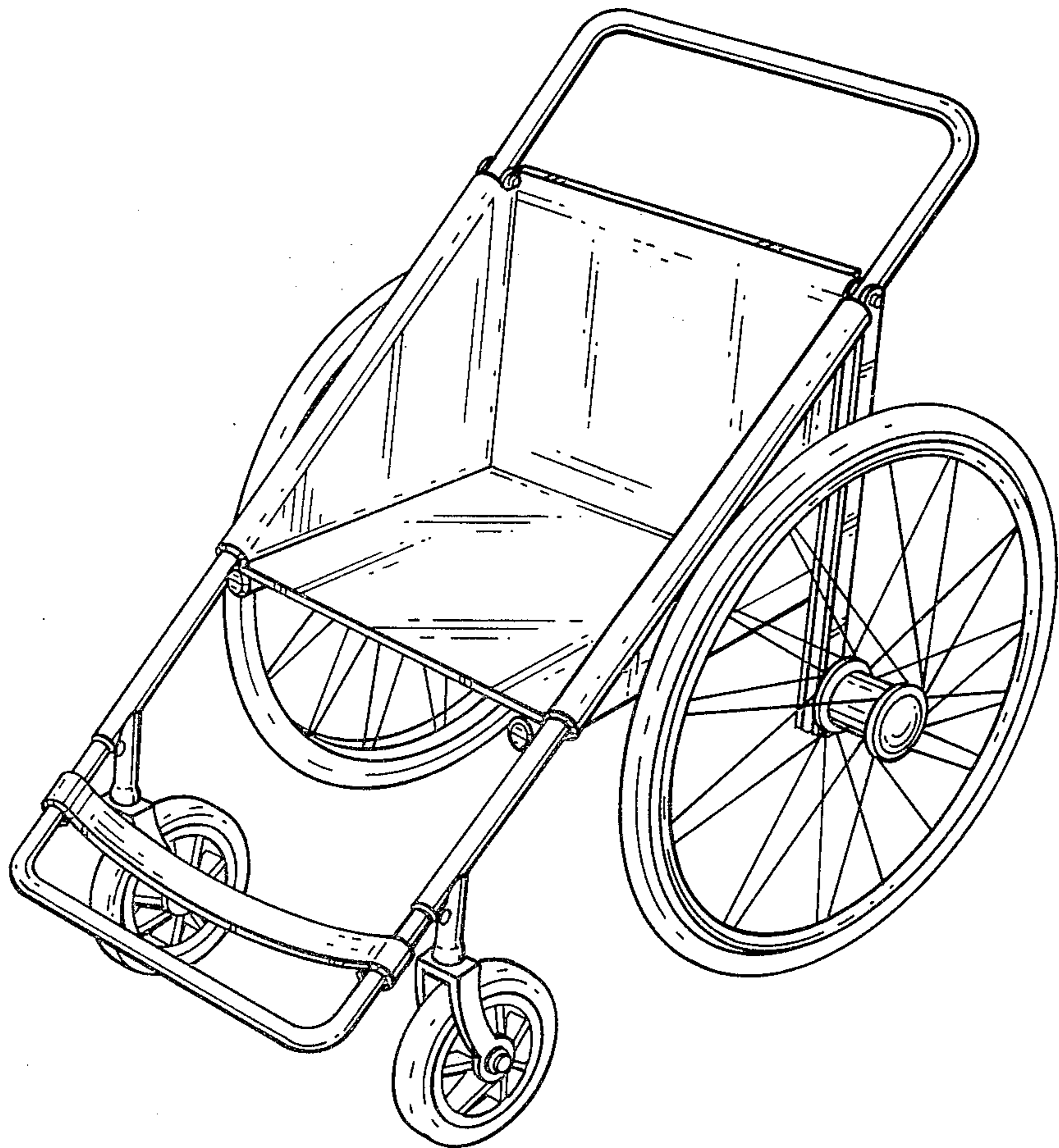


FIG. 1

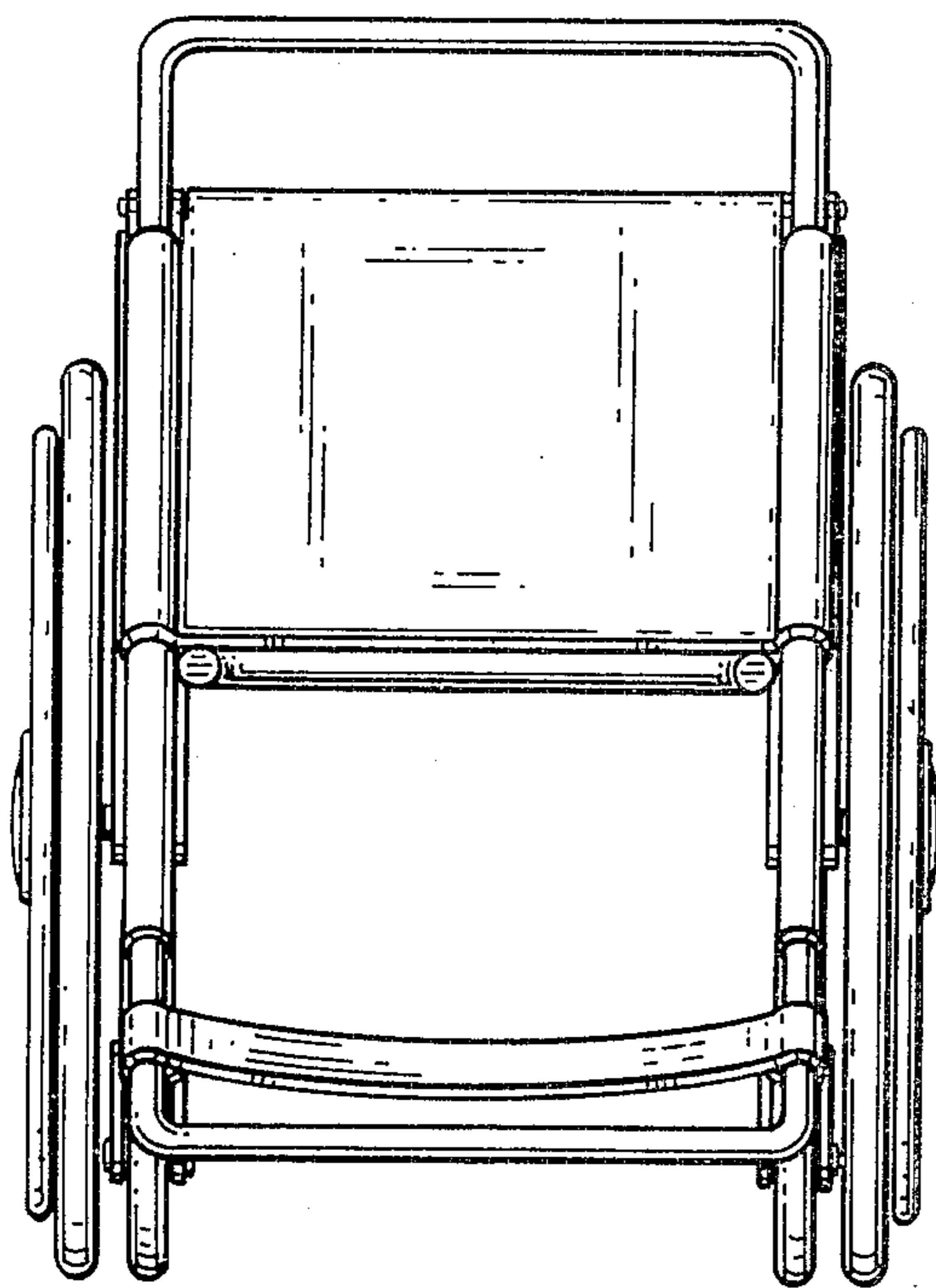


FIG. 2

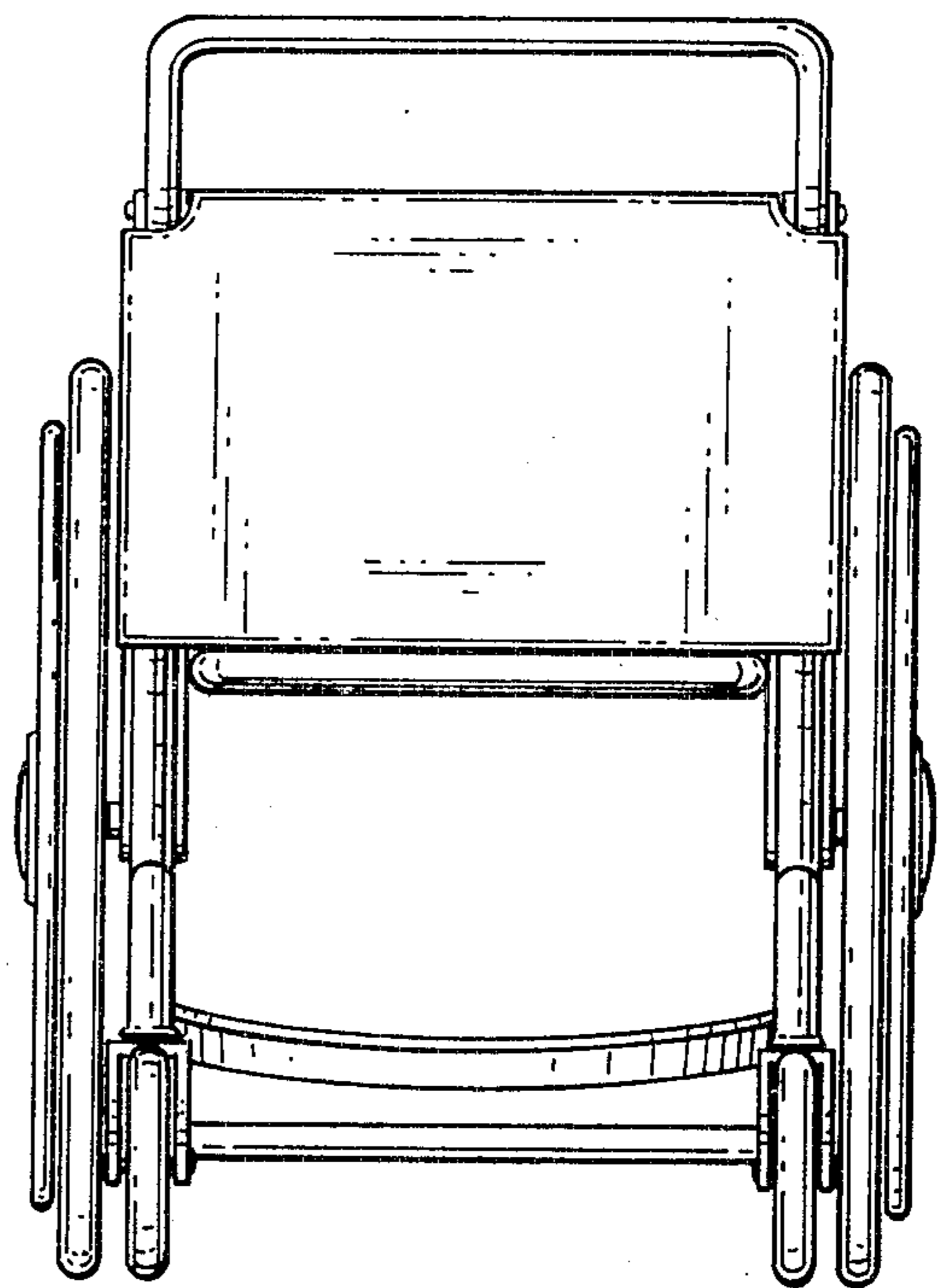


FIG. 3

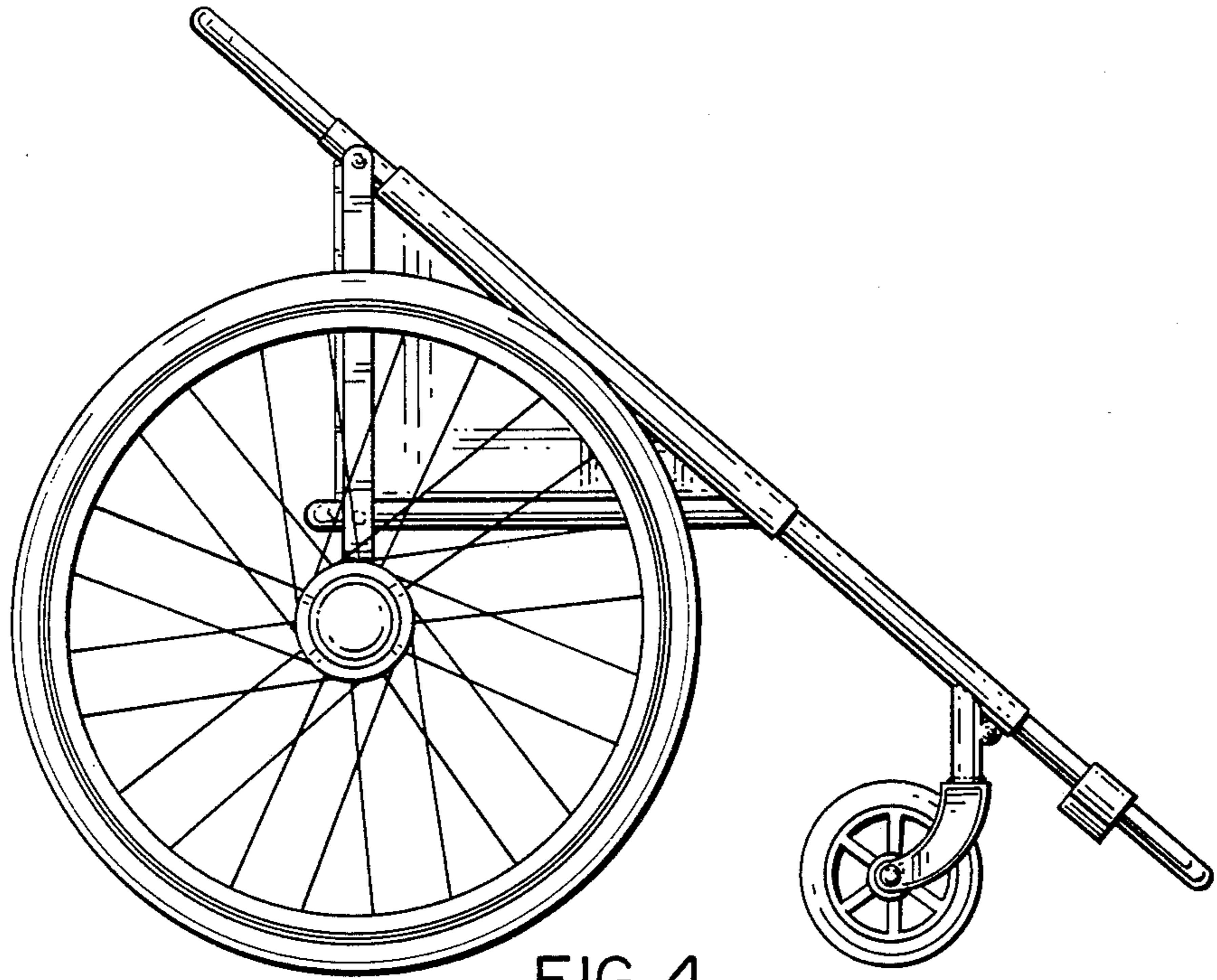


FIG. 4

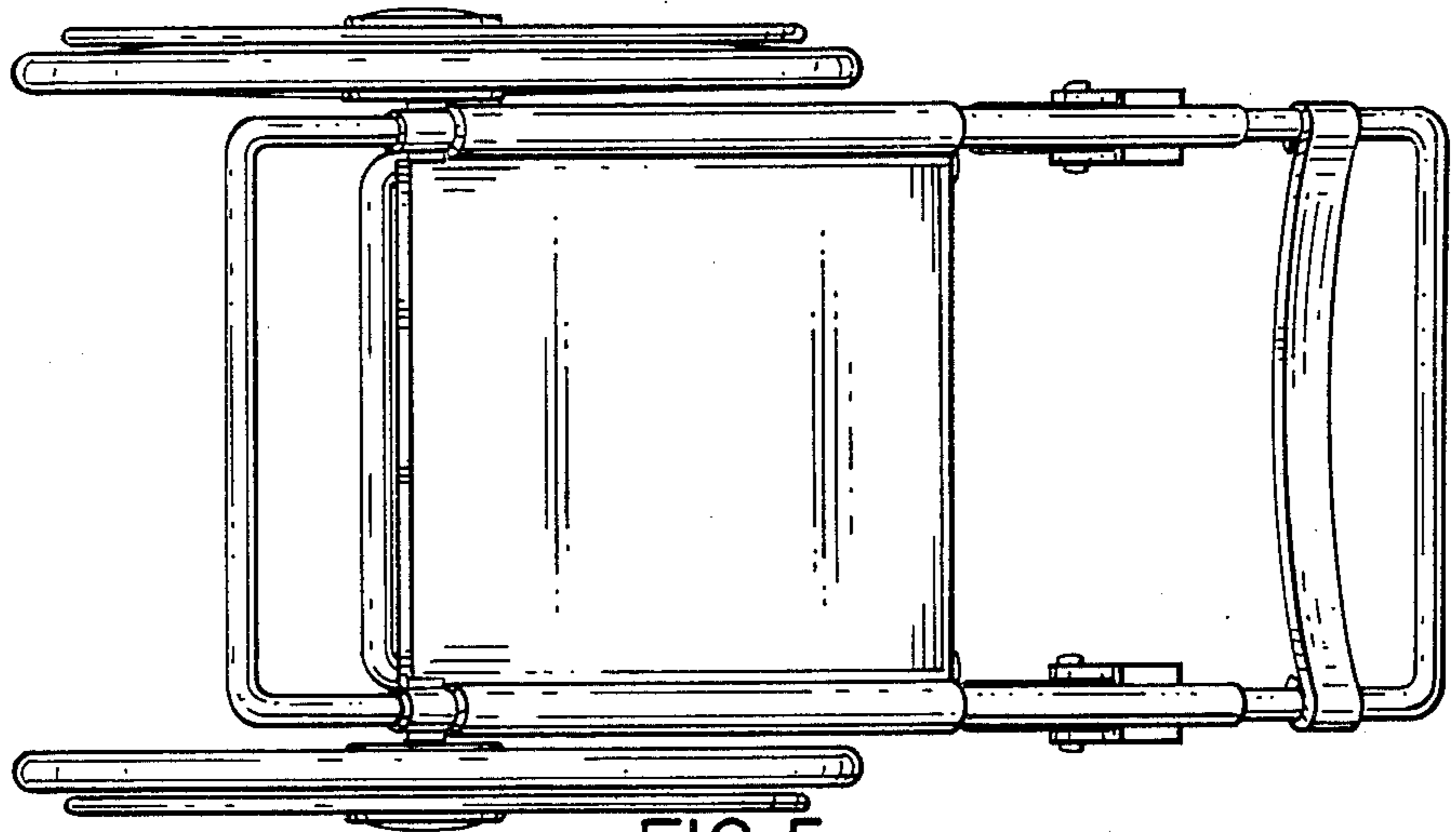


FIG. 5

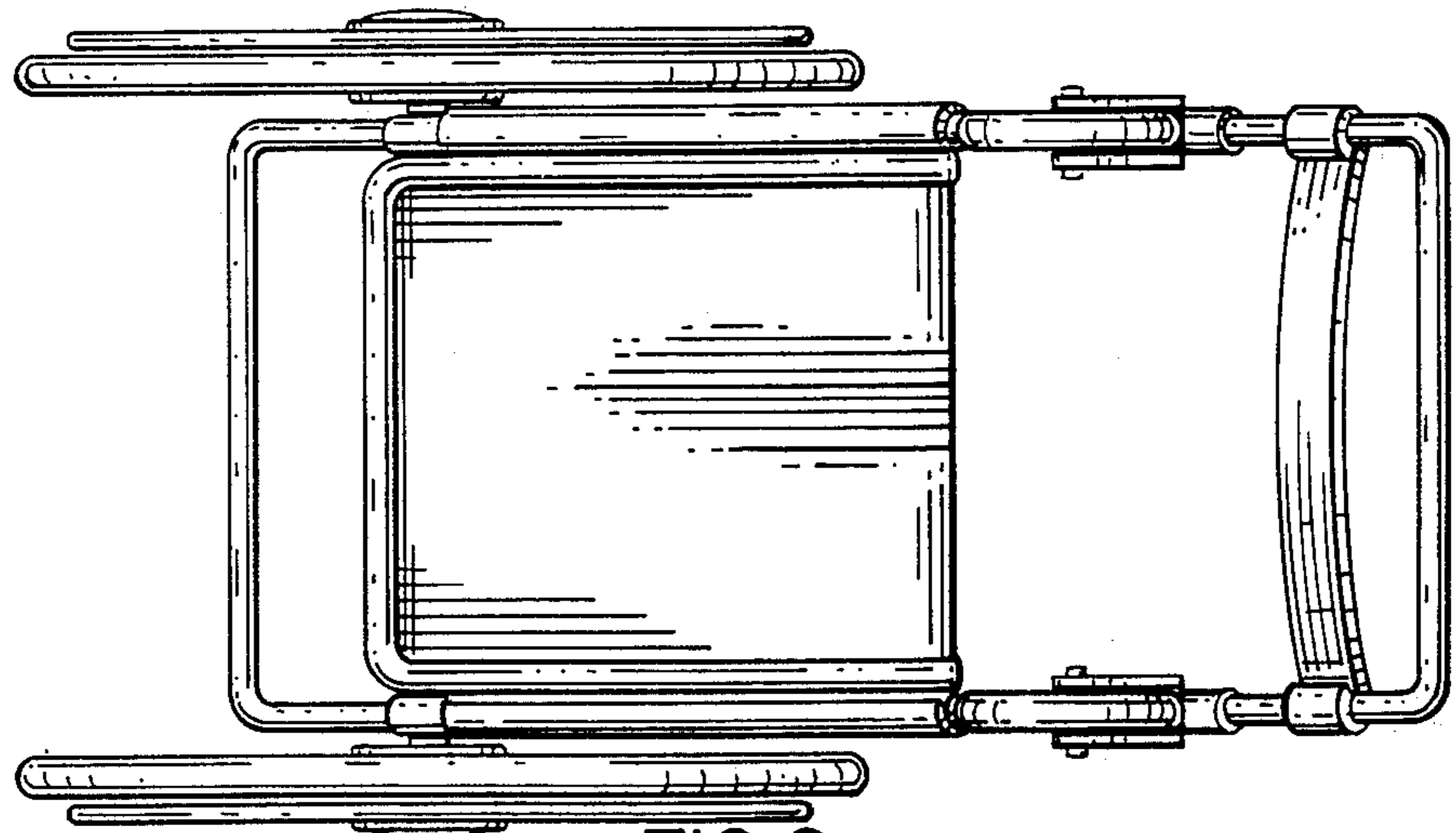


FIG. 6