

[54] BICYCLE PEDAL

[75] Inventors: Jan D. Hartmann, Menden; Bernd Voegler, Herdecke; Hubert Konzorr, Froendenberg, all of Fed. Rep. of Germany

[73] Assignee: Union Sils, Van De Loo & Co., GmbH, Froendenberg, Fed. Rep. of Germany

[**] Term: 14 Years

[21] Appl. No.: 601,604

[22] Filed: Apr. 18, 1984

[30] Foreign Application Priority Data

Dec. 5, 1983 [DE] Fed. Rep. of Germany MR151

[52] U.S. Cl. D12/125

[58] Field of Search D12/125; 74/594.4

[56] References Cited
PUBLICATIONS

American Bicyclist & Motorcyclist, 12/82, p. 26, Victory Pedal, center right side of page and p. 27, Union Pedal, bottom right side of page.

American Bicyclist & Motorcyclist, 11/83, p. 26, Union Pedal 634, center of page.

Primary Examiner—James M. Gandy
Attorney, Agent, or Firm—Sherman and Shalloway

[57] CLAIM

The ornamental design for a bicycle pedal, as shown.

DESCRIPTION

FIG. 1 is a side elevation view of a bicycle pedal showing our new design.

FIG. 2 is an opposite side elevation view.

FIG. 3 is an end elevation view.

FIG. 4 is an opposite end elevation view.

FIG. 5 is a top plan view.

FIG. 6 is a bottom plan view.

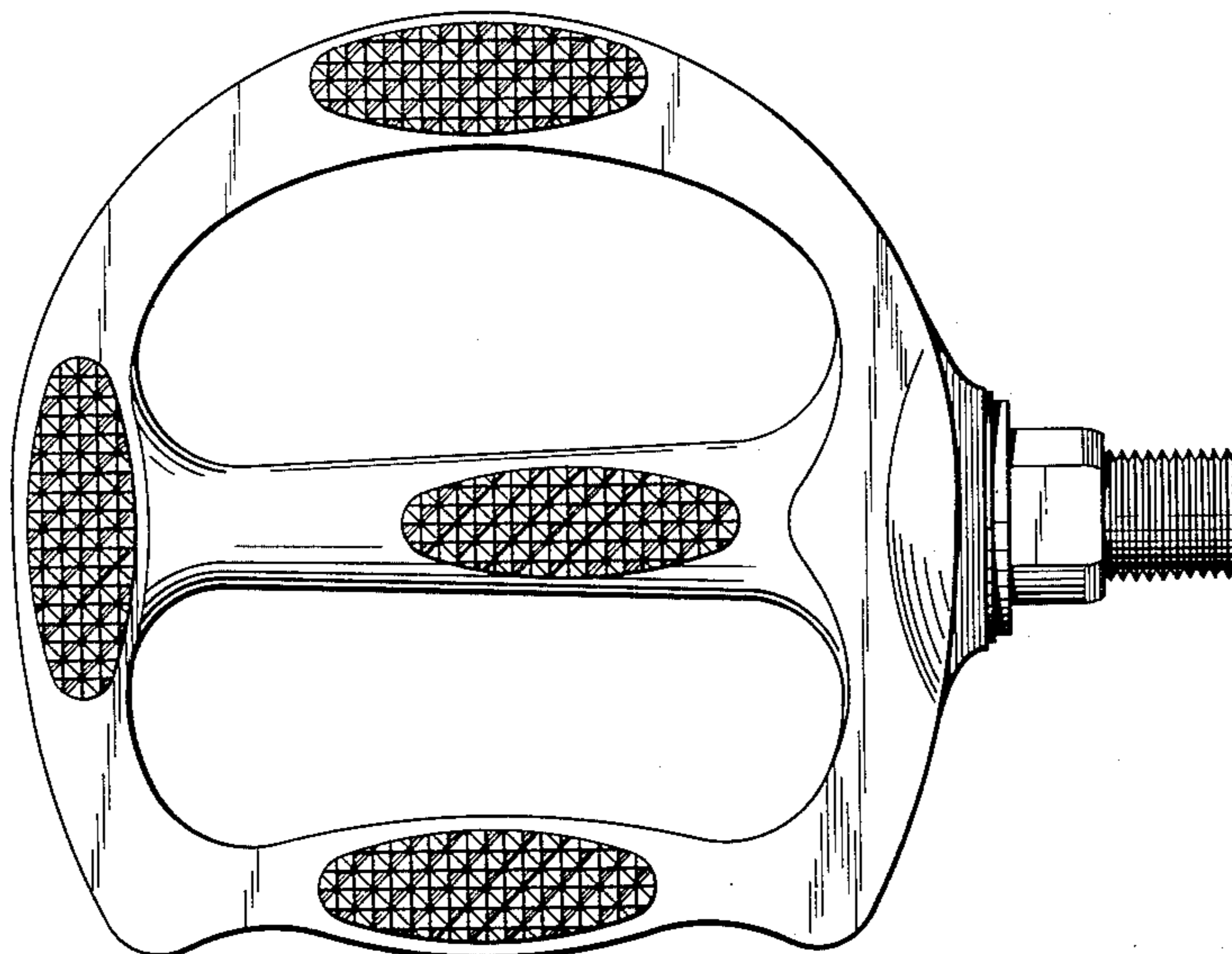
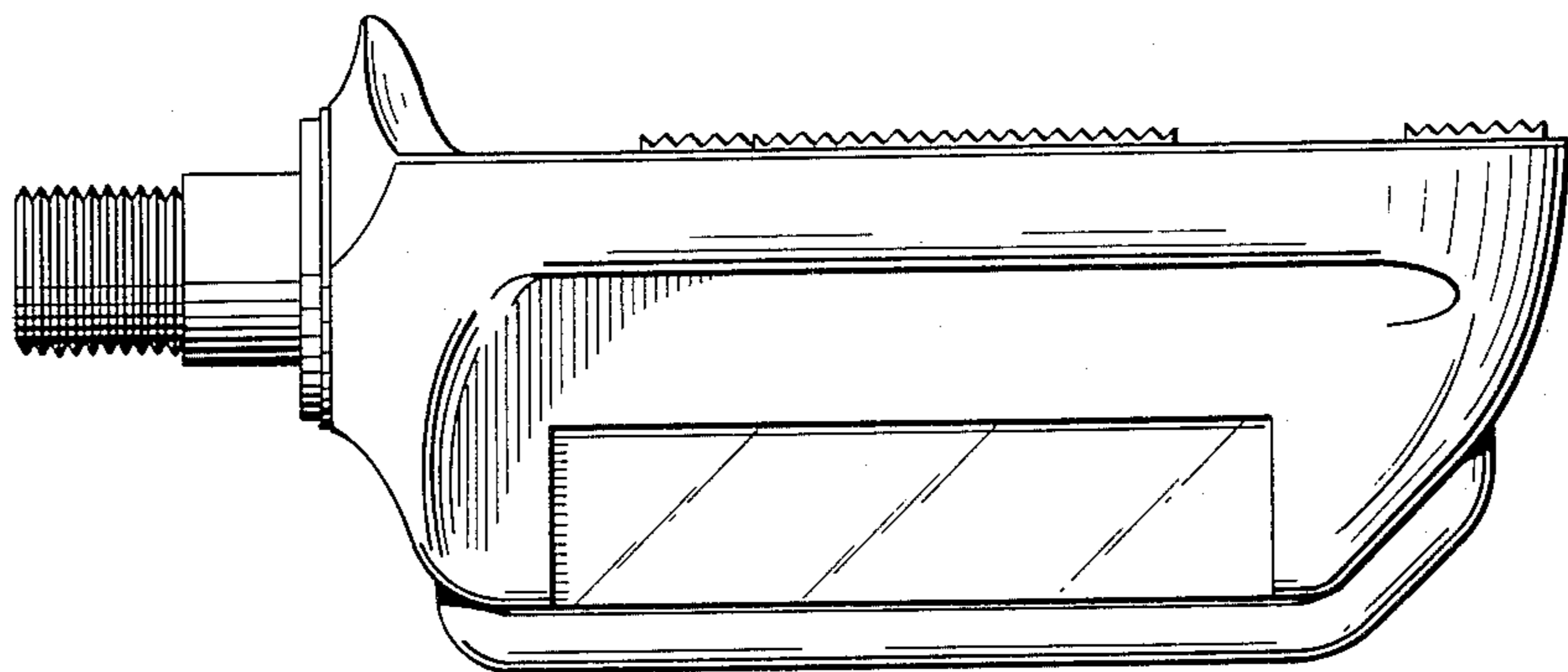


Fig. 1

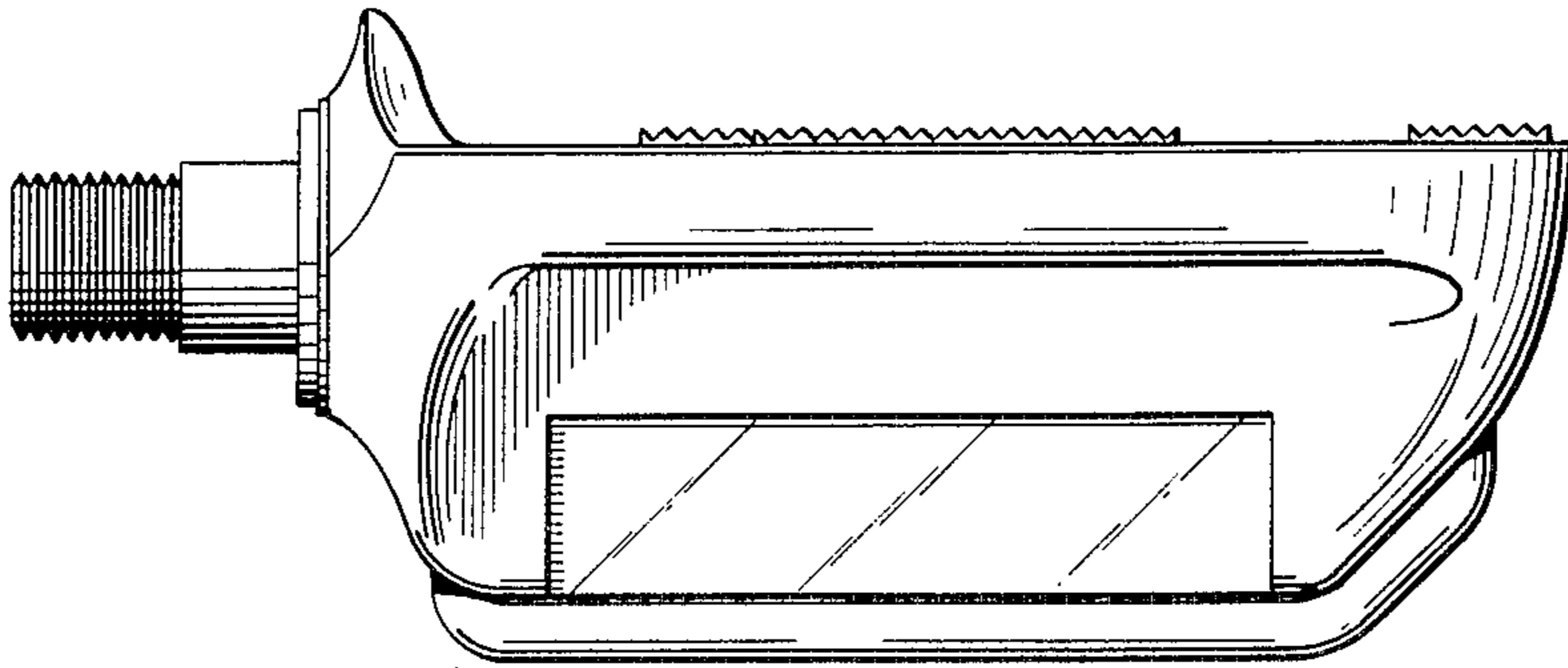


Fig. 2

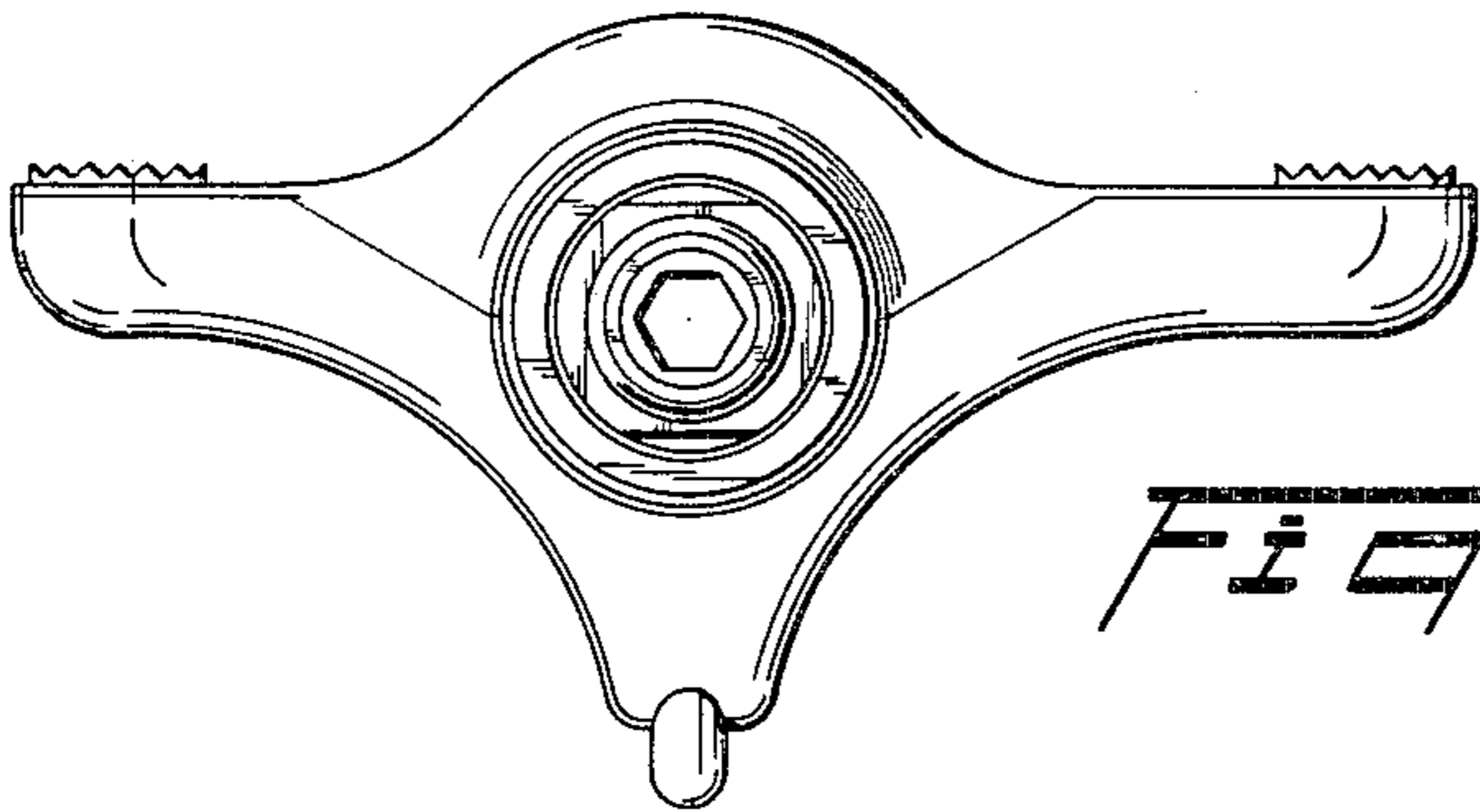
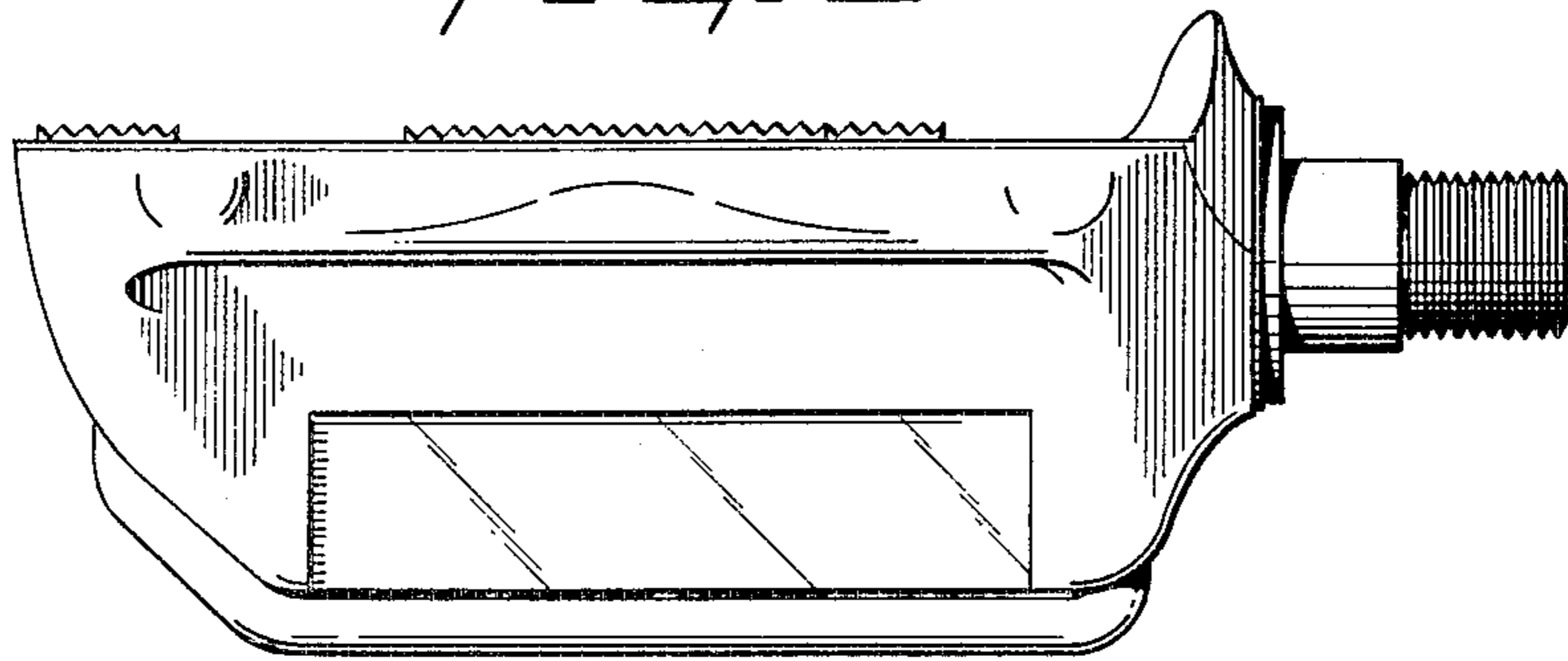


Fig. 3

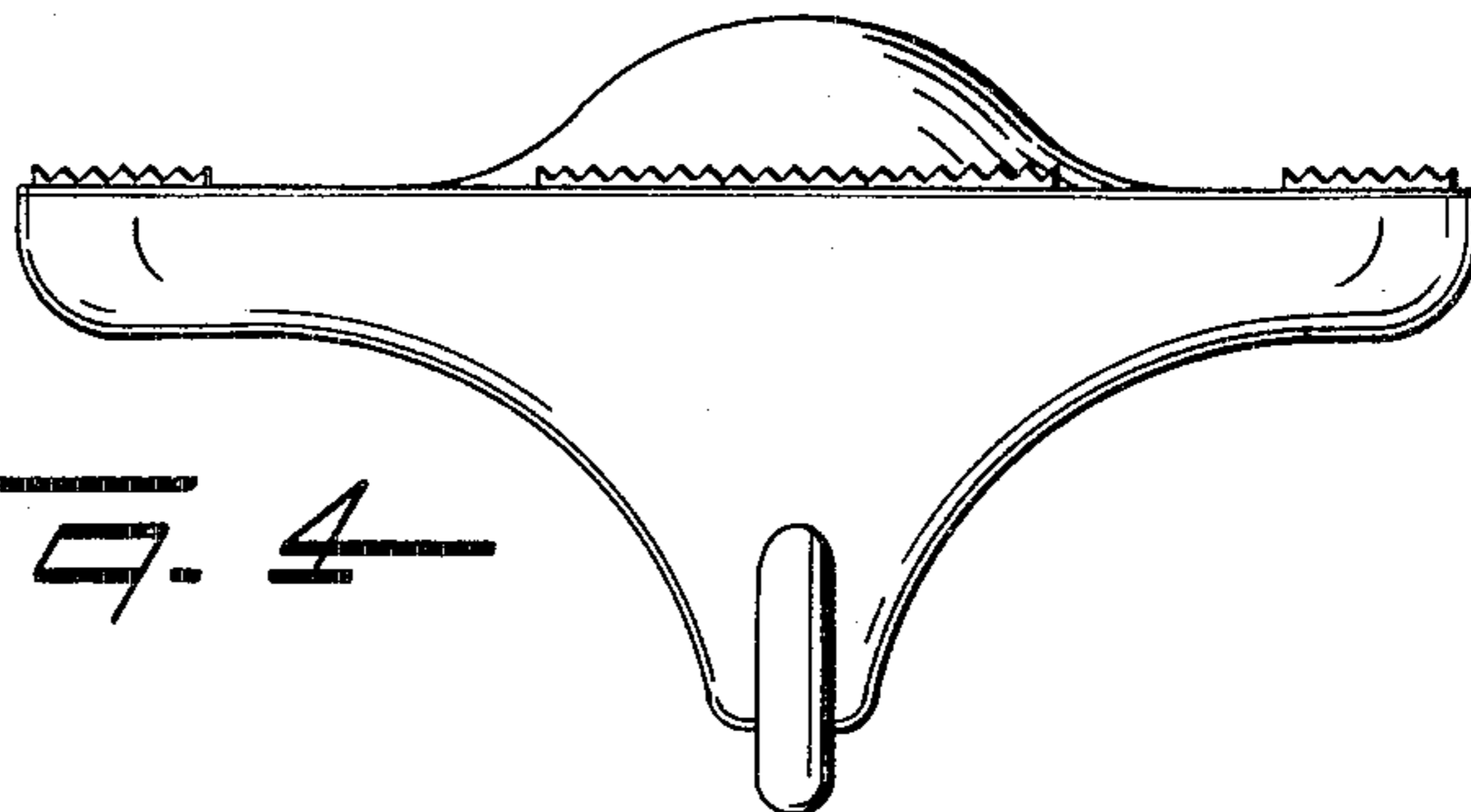


Fig. 4

Fig. 5

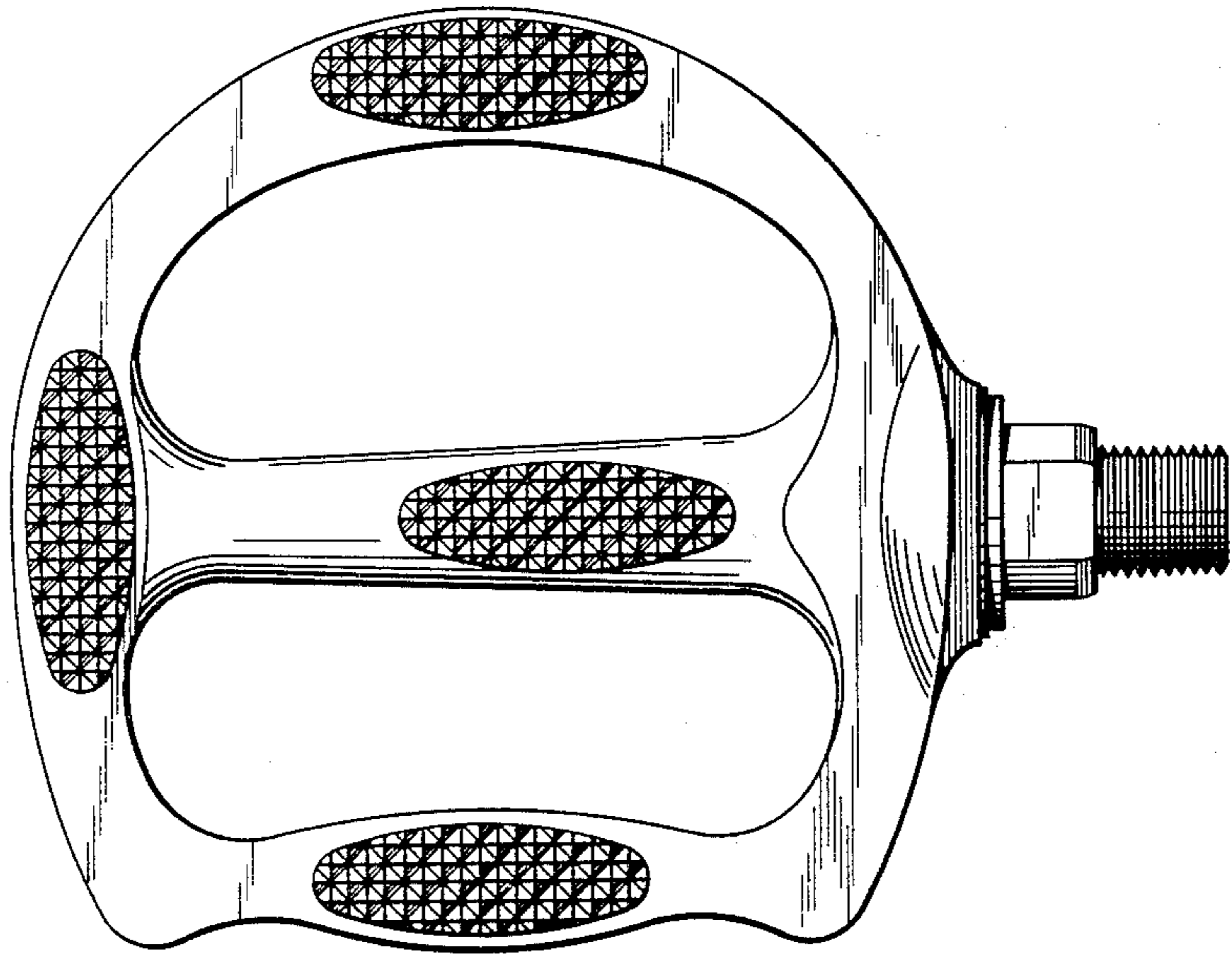


Fig. 6

