

[54] PEDAL

[75] Inventor: Esko Kotamäki, Turku, Finland

[73] Assignee: Tunturipyora Oy, Turku, Finland

[\*\*] Term: 14 Years

[21] Appl. No.: 683,213

[22] Filed: Dec. 18, 1984

[30] Foreign Application Priority Data

Jun. 25, 1984 [FI] Finland ..... 634/84

[52] U.S. Cl. .... D12/125

[58] Field of Search ..... D12/125; 74/594.4, 594.6

[56] References Cited

U.S. PATENT DOCUMENTS

|            |        |            |       |          |
|------------|--------|------------|-------|----------|
| D. 191,091 | 8/1961 | Harwood    | ..... | D12/125  |
| 618,937    | 2/1899 | Grotenhuis | ..... | D12/125  |
| 666,996    | 1/1901 | Baldwin    | ..... | 74/594.6 |
| 3,313,177  | 4/1967 | Mueller    | ..... | 74/594.6 |

OTHER PUBLICATIONS

American Bicyclist & Motorcyclist, 2/84, p. 146, Gi-  
piemme Pedal, top left side of page.

American Bicyclist & Motorcyclist, 11/83, p. 38,  
VP-406 Pedal, center left side of page.

Primary Examiner—James M. Gandy

Attorney, Agent, or Firm—Fleit, Jacobson, Cohn & Price

[57] CLAIM

The ornamental design for a pedal, as shown.

DESCRIPTION

FIG. 1 is a perspective front view of a pedal showing  
my new design;

FIG. 2 is a back elevation view thereof;

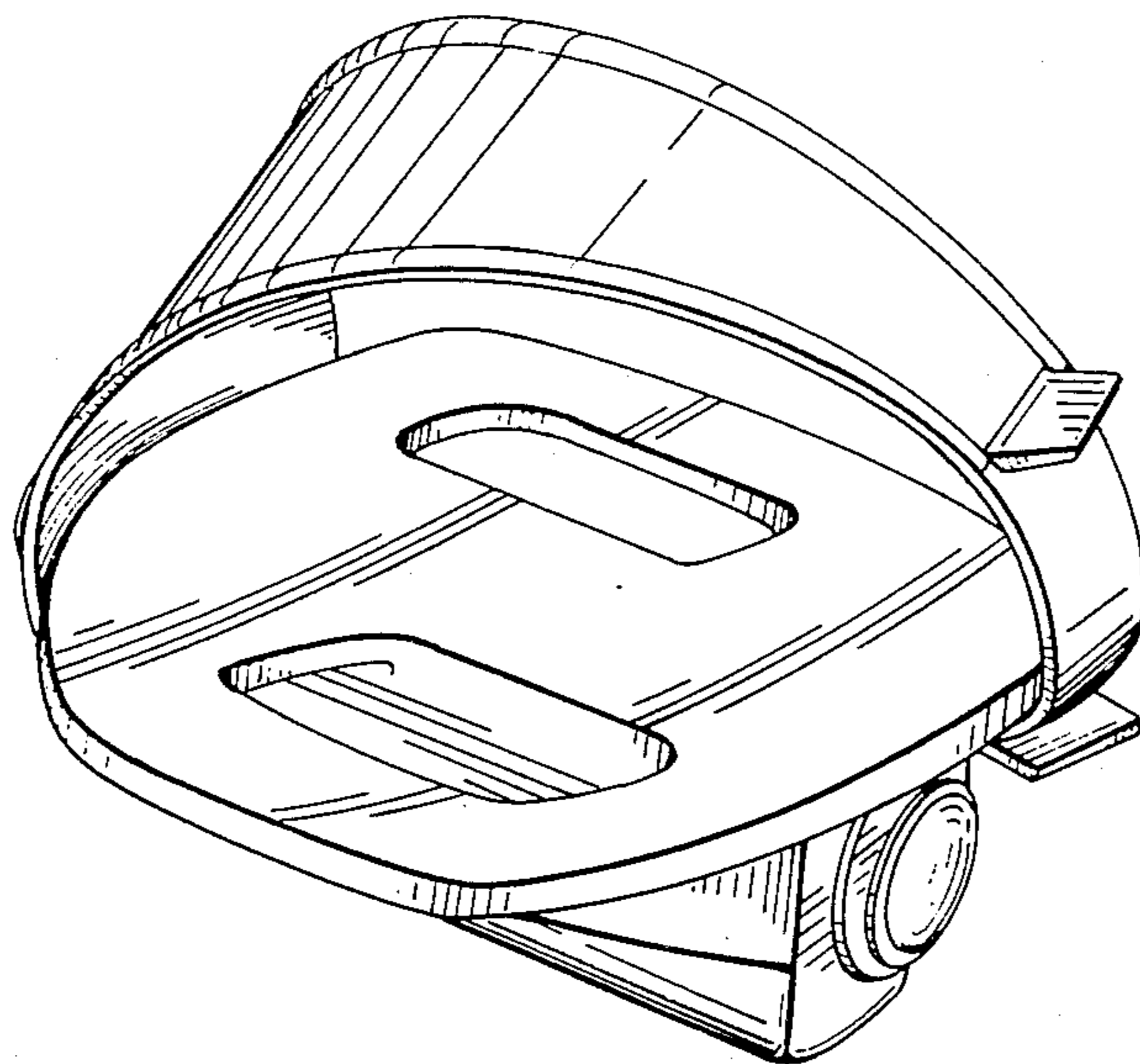
FIG. 3 is a front elevation view thereof;

FIG. 4 is a bottom plan view thereof;

FIG. 5 is a top plan view thereof;

FIG. 6 is a side elevation view thereof;

FIG. 7 is a side elevation view thereof.



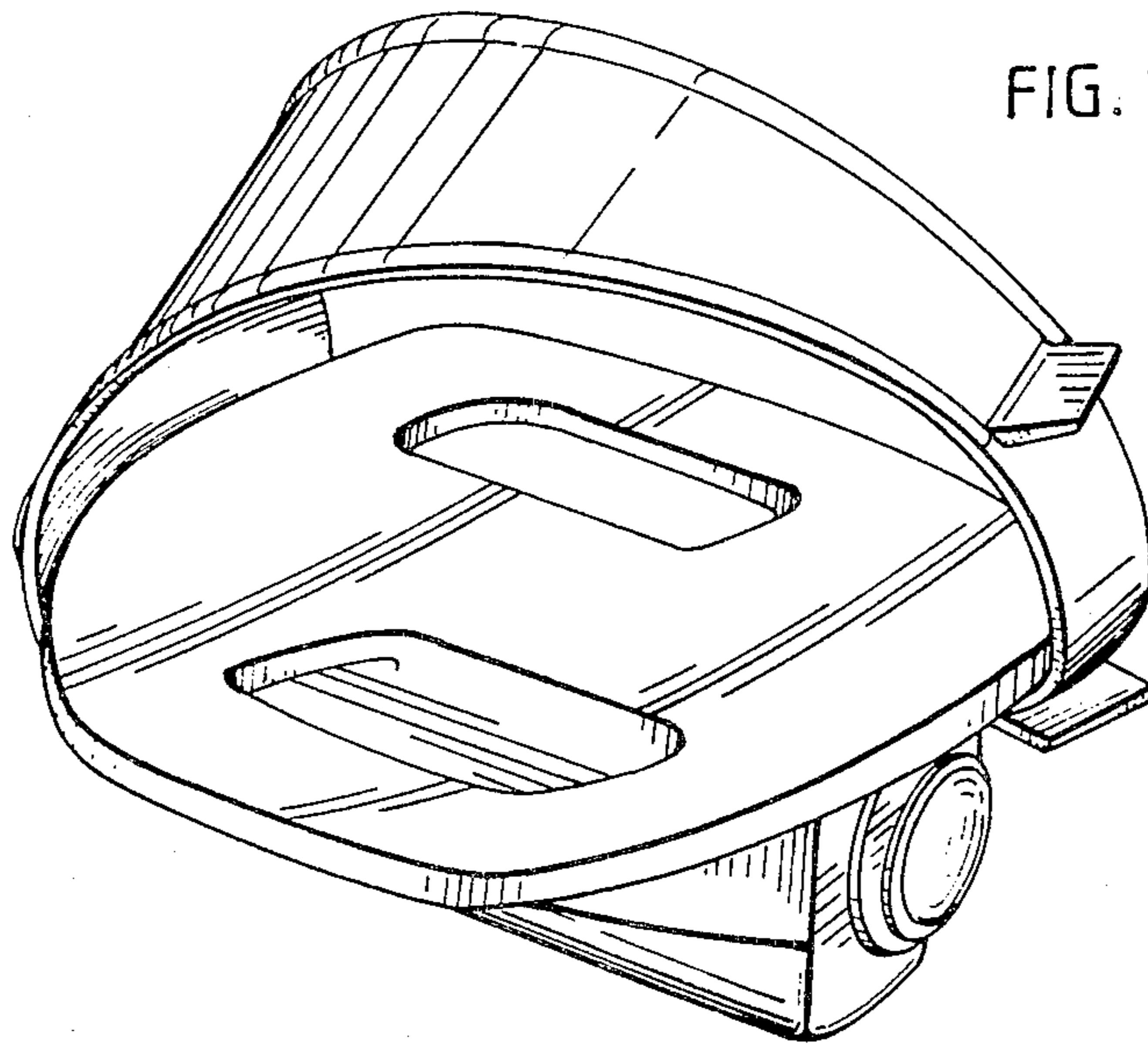


FIG. 1

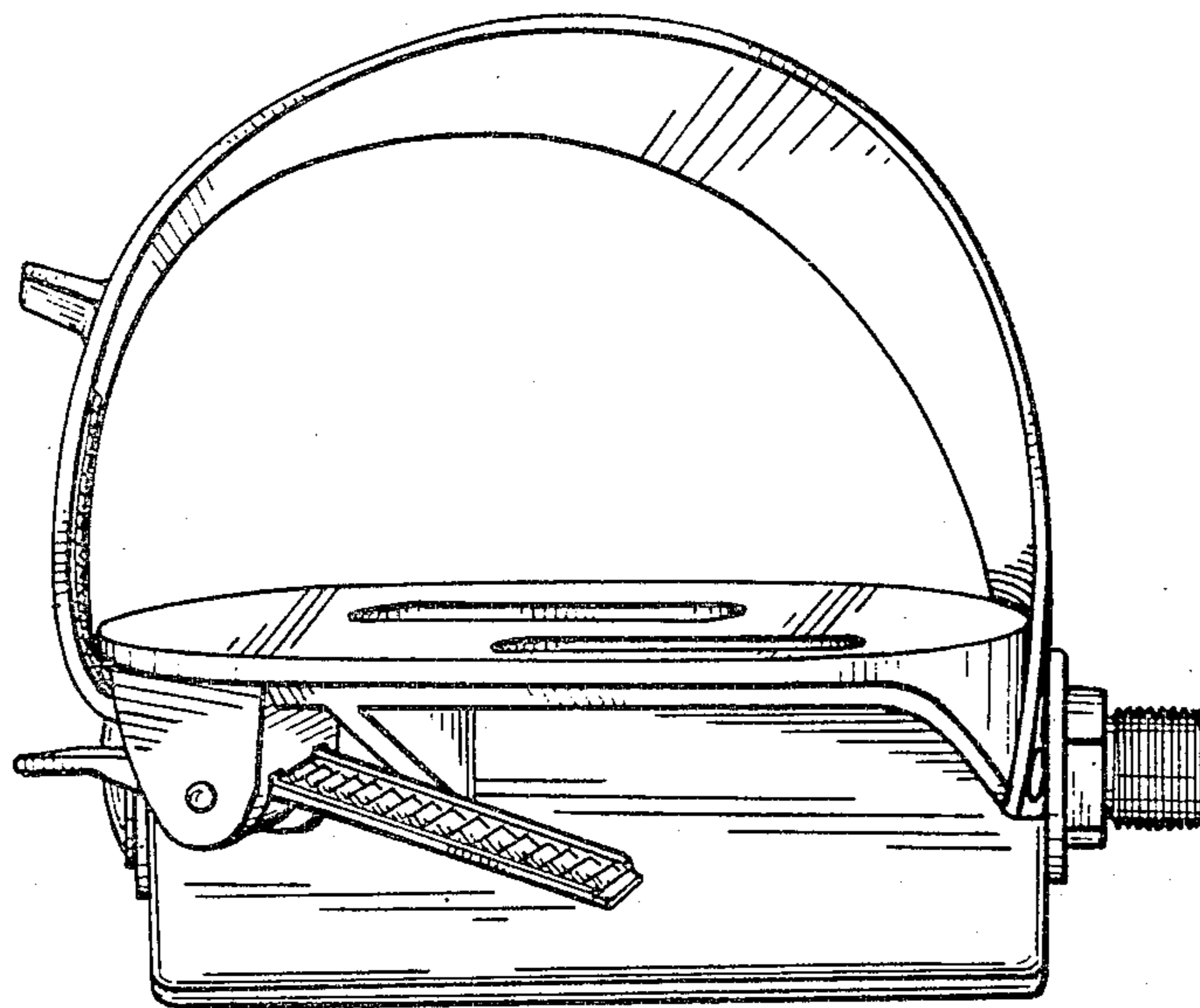


FIG. 2

FIG. 3

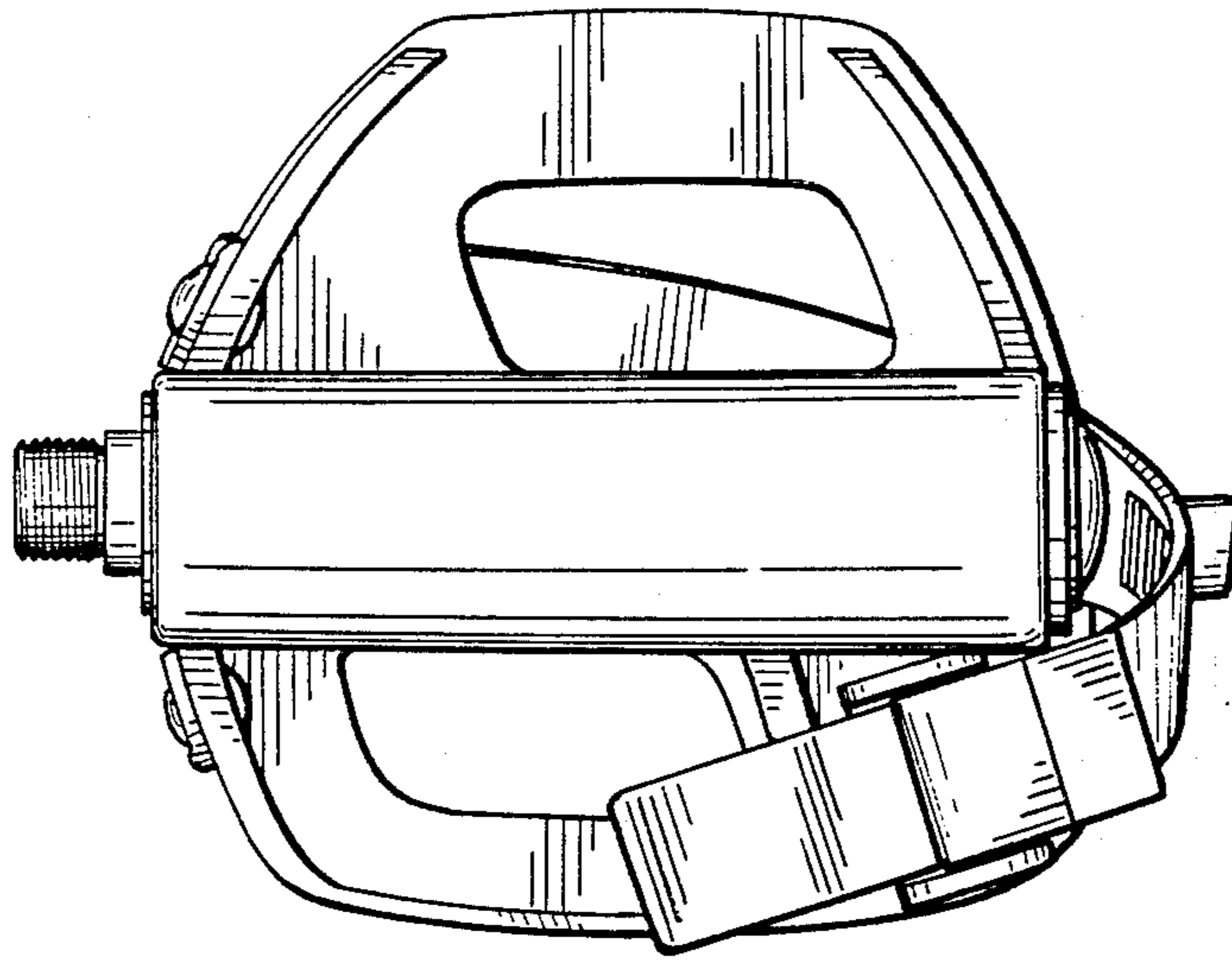
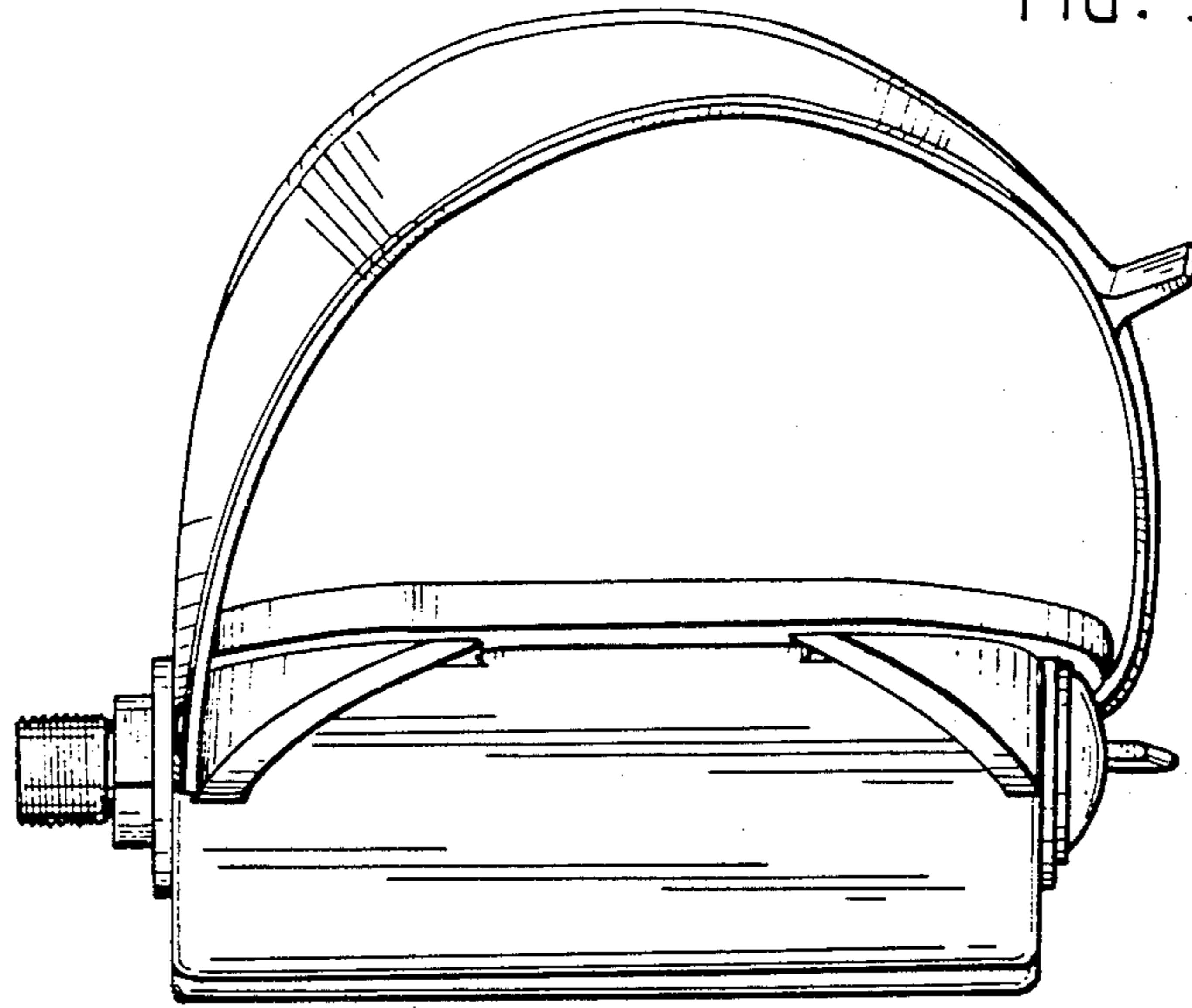


FIG. 4

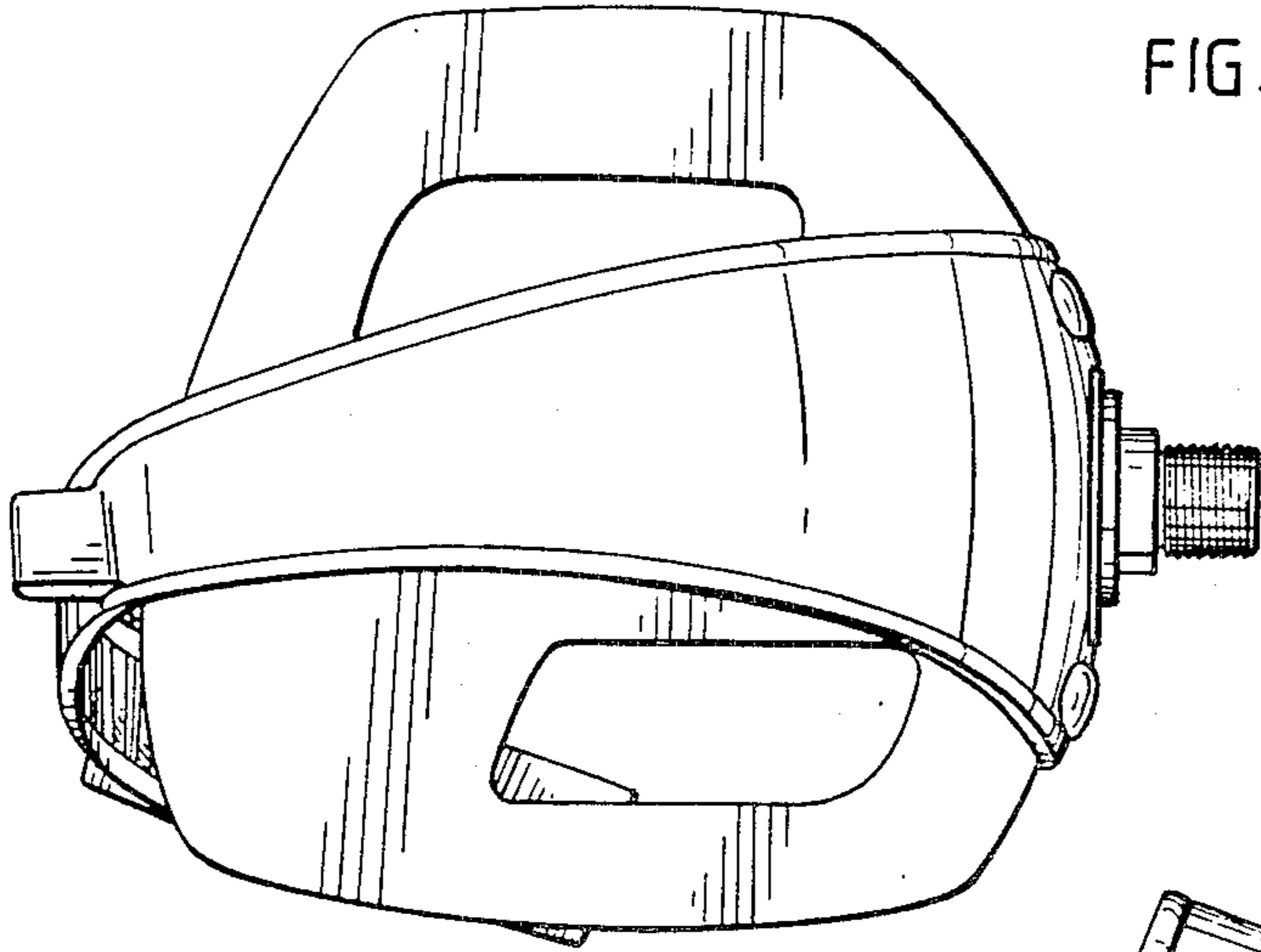


FIG. 5

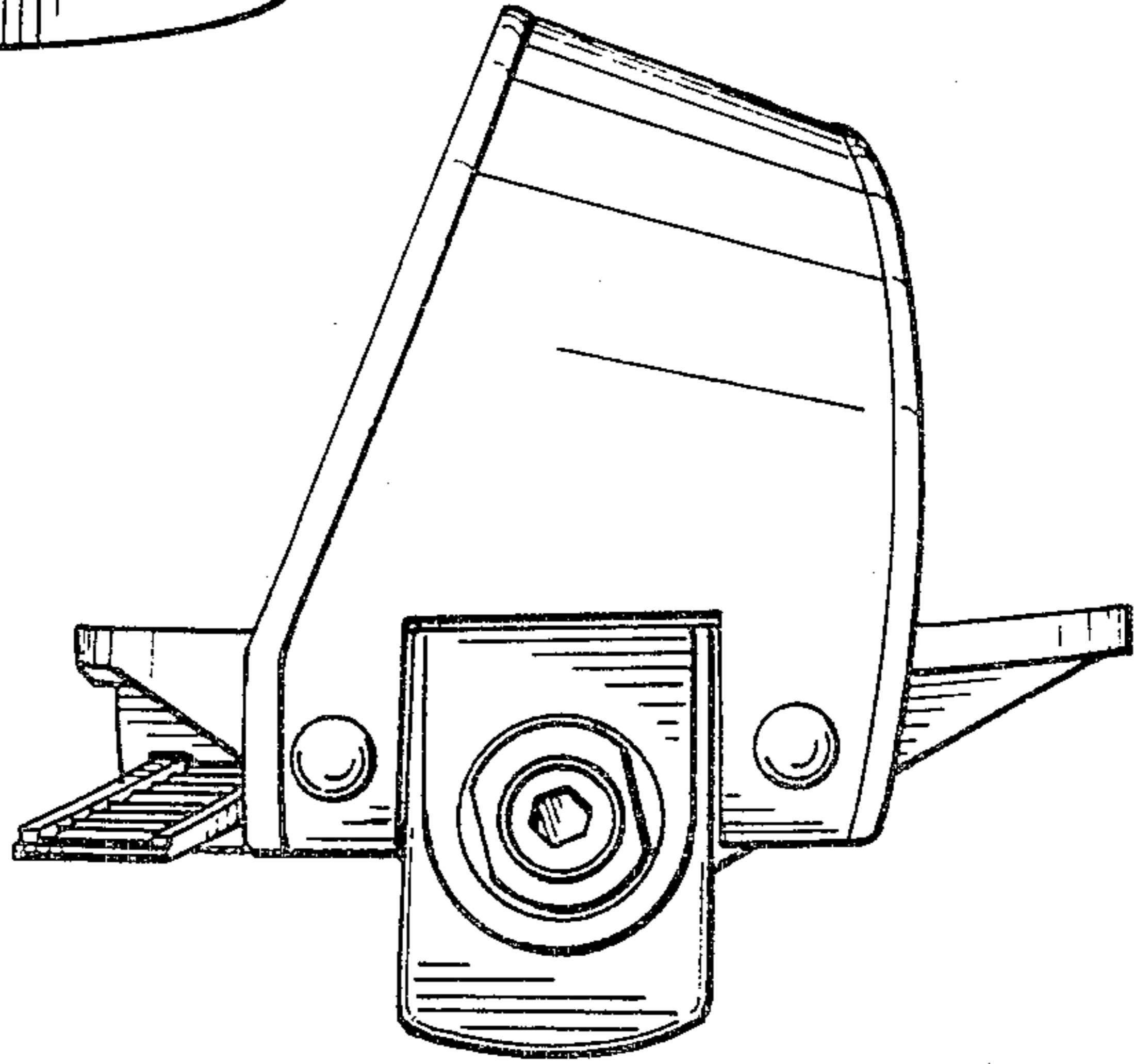


FIG. 6

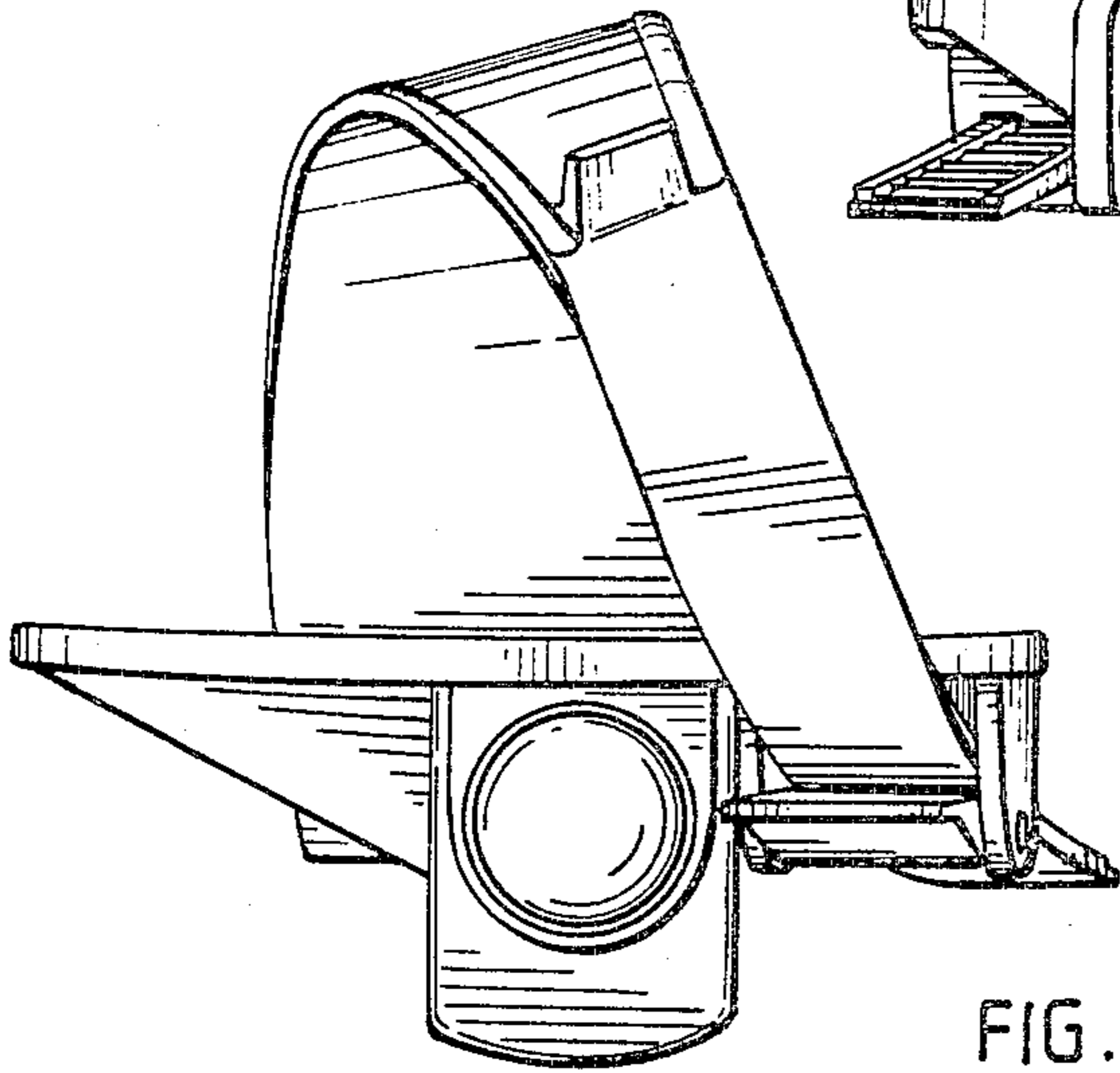


FIG. 7