

[54] PULLED CART

[75] Inventor: Charles W. Doering, Louisville, Ky.

[73] Assignee: Brinly-Hardy Co., Inc., Louisville, Ky.

[\*\*] Term: 14 Years

[21] Appl. No.: 566,507

[22] Filed: Dec. 29, 1983

[52] U.S. Cl. .... D12/105

[58] Field of Search ..... D12/101, 105, 102;  
296/181, 184; 280/63, 656

[56] References Cited

U.S. PATENT DOCUMENTS

D. 219,708 1/1971 Baker ..... D12/102

OTHER PUBLICATIONS

Fall 1975 Sears Suburban Farm & Ranch Catalog, p. 161, Mechanical-Lift Dump Cart, bottom left side of page.

1974 Sears Suburban Farm & Ranch Catalog, p. 167, Hauling Cart No. 2, center right side of page.

1967 Ward Farm Catalog, p. 7, Handy Trailer Cart K, bottom center of page.

Primary Examiner—James M. Gandy  
Attorney, Agent, or Firm—Frank C. Leach, Jr.

[57] CLAIM

The ornamental design for a pulled cart, as shown and described.

DESCRIPTION

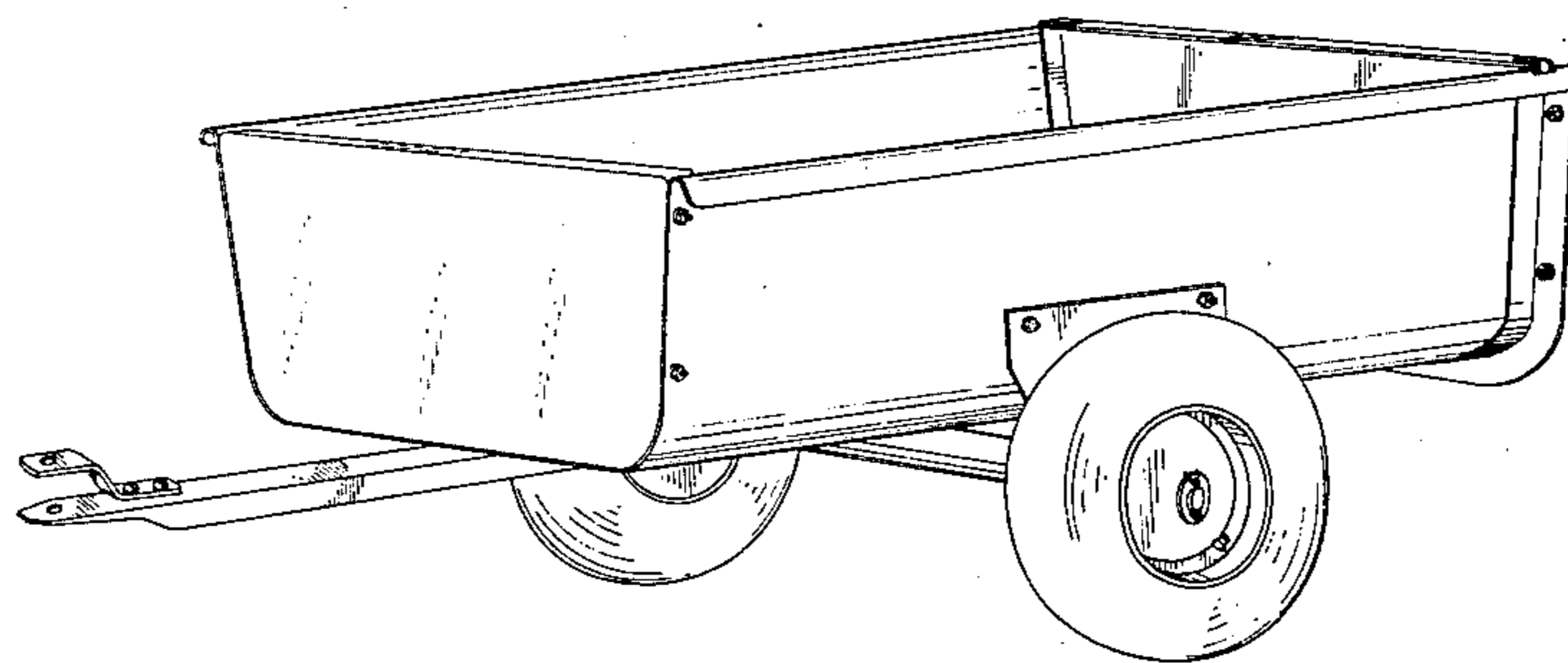
FIG. 1 is a perspective view of a pulled cart showing the new design and taken from the left side;

FIG. 2 is a left side elevational view thereof showing a portion of the tow bar broken away for convenience of illustration;

FIG. 3 is a top plan view thereof;

FIG. 4 is a front elevational view thereof, it being understood that the rear is substantially a mirror image of the front except for the omission of the tow bar and the heads of the screws being seen rather than the nuts used with said screws;

FIG. 5 is a bottom plan view thereof.



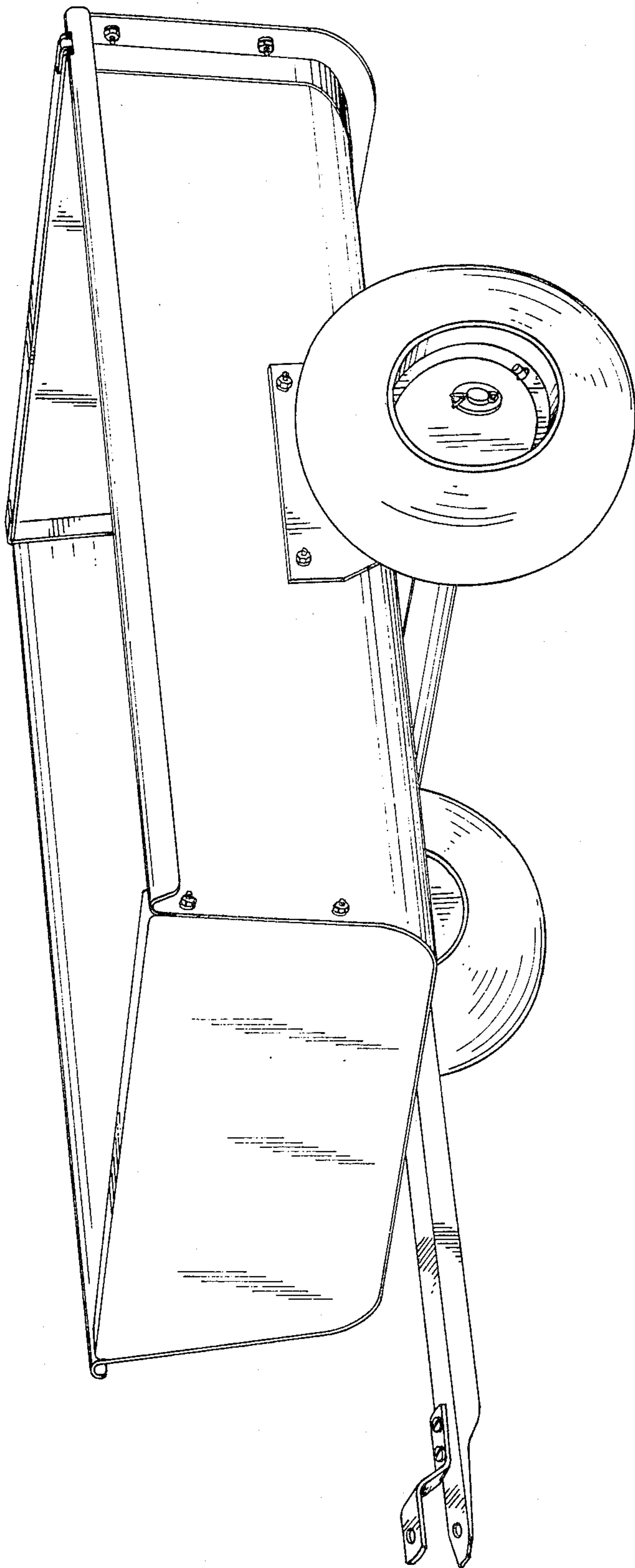


FIG. 1

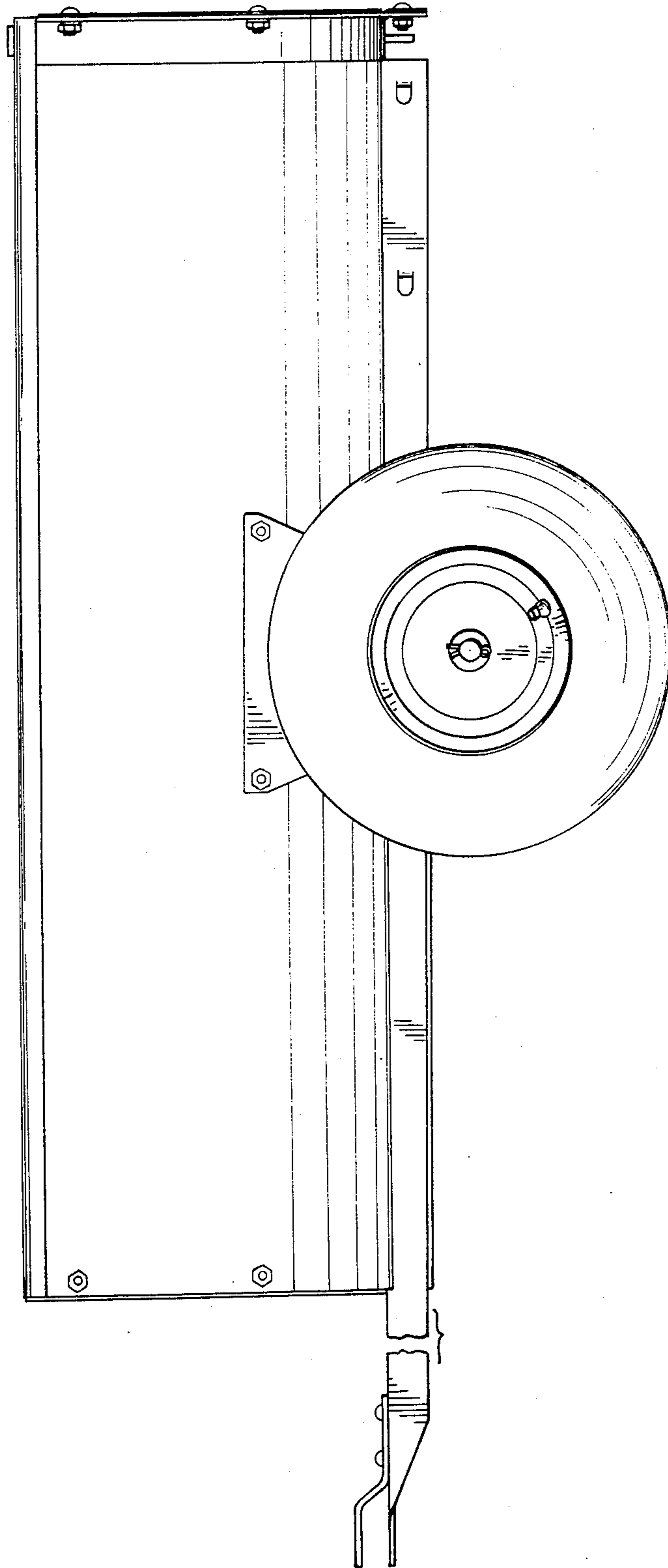


FIG. 2

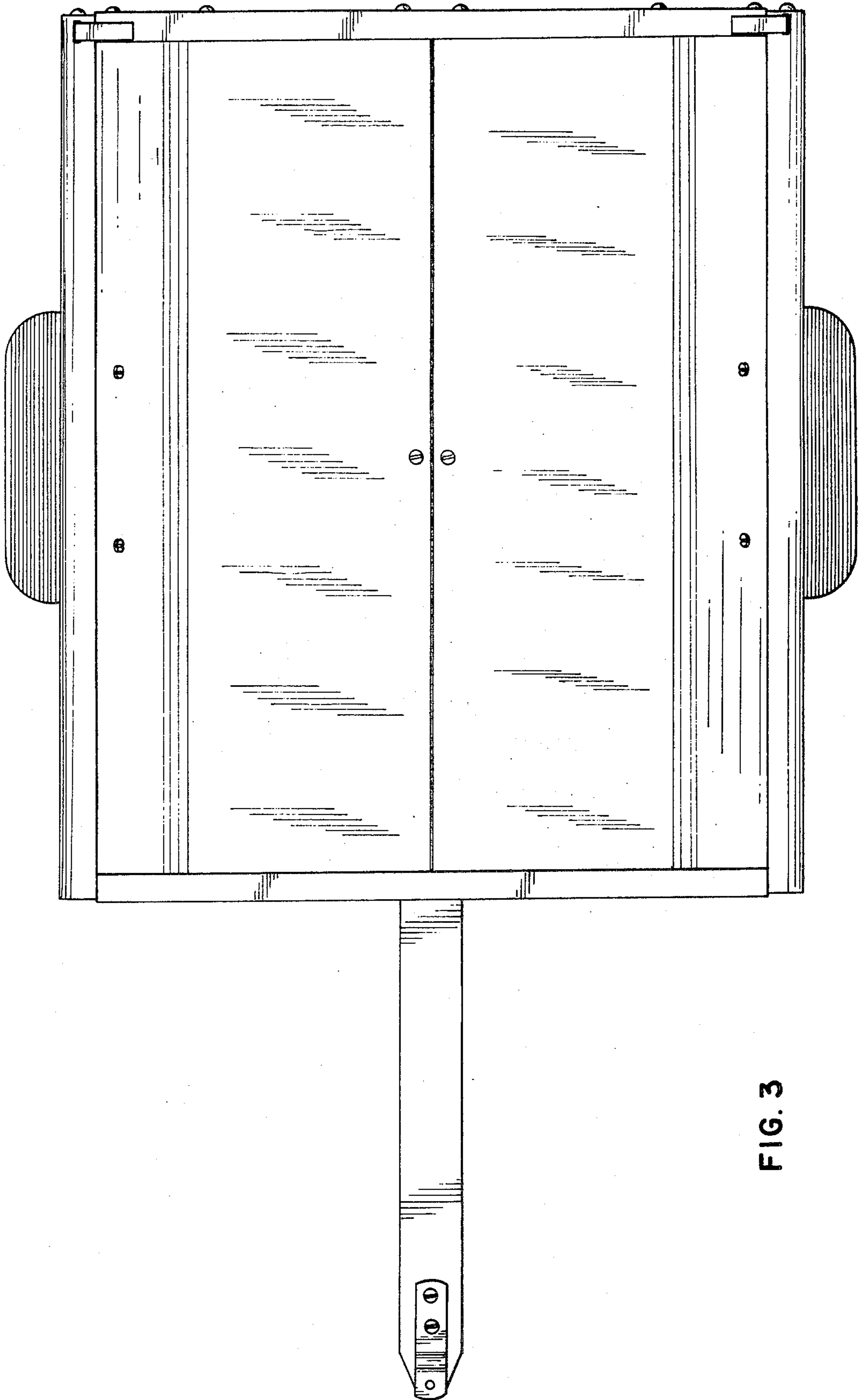


FIG. 3

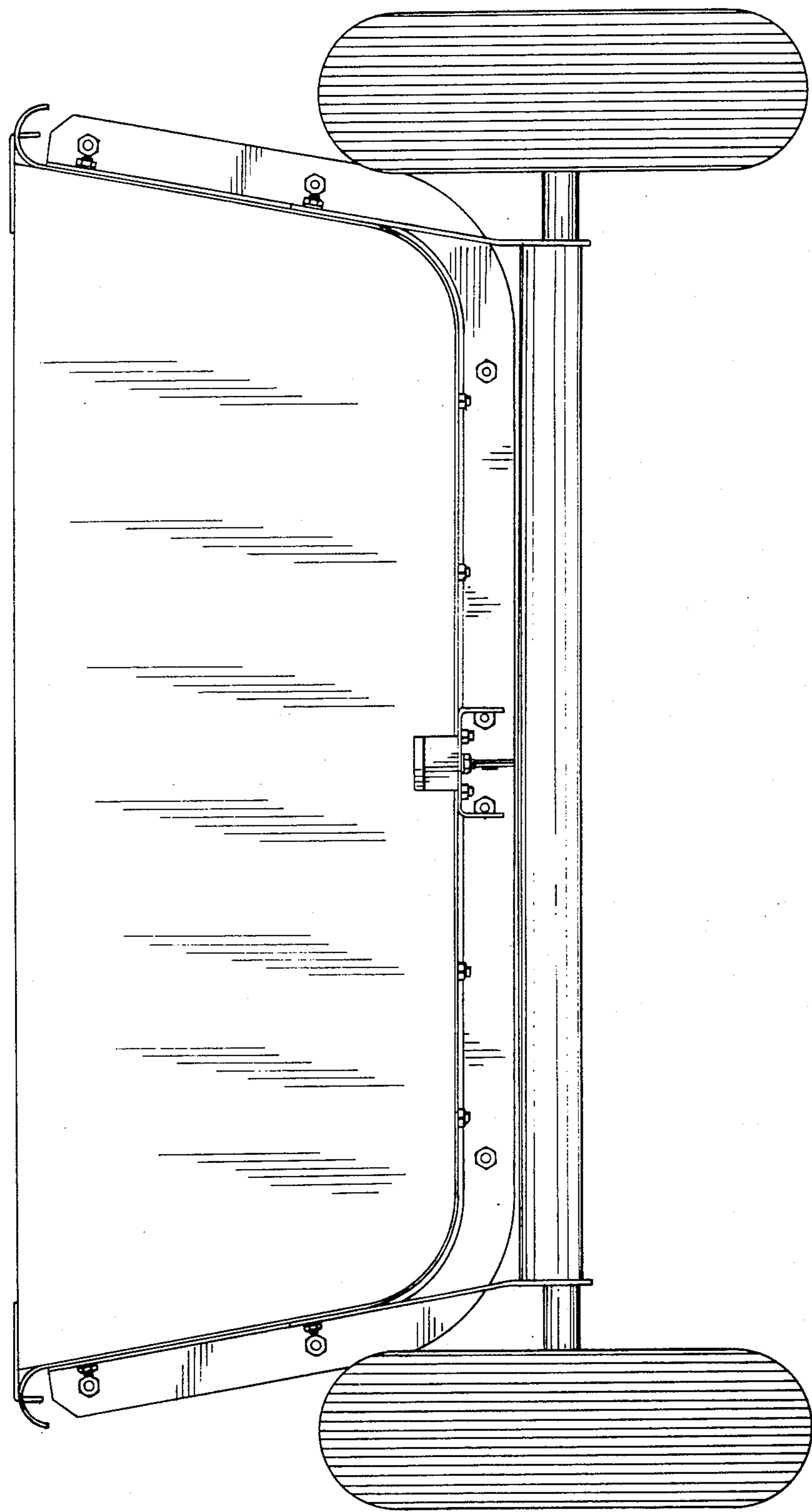


FIG. 4

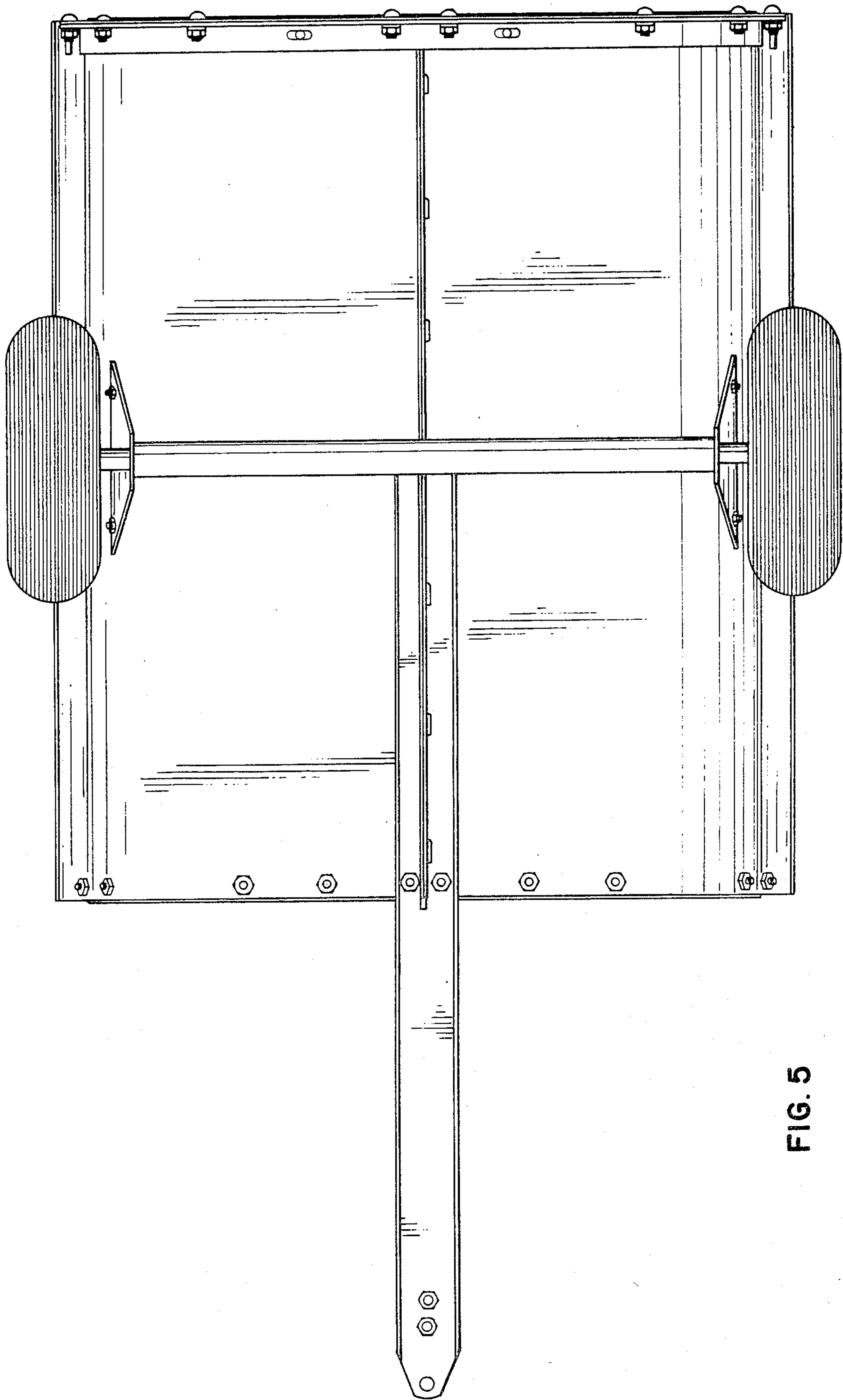


FIG. 5