

[54] TRACK ALIGNMENT DEVICE

[75] Inventor: Thomas W. Tutt, Reading, England

[73] Assignee: Zwicky Engineering Limited,
Berkshire, England

[**] Term: 14 Years

[21] Appl. No.: 567,114

[22] Filed: Dec. 30, 1983

[30] Foreign Application Priority Data

Jul. 6, 1983 [GB] United Kingdom 1013952

[52] U.S. Cl. D12/42; D34/31

[58] Field of Search D12/42, 49; 254/43,
254/44; D34/31

[56] References Cited

U.S. PATENT DOCUMENTS

2,542,274	2/1951	Carpenter	254/43
2,887,296	5/1959	Geier et al.	254/43
3,039,742	6/1962	McMillan	254/43

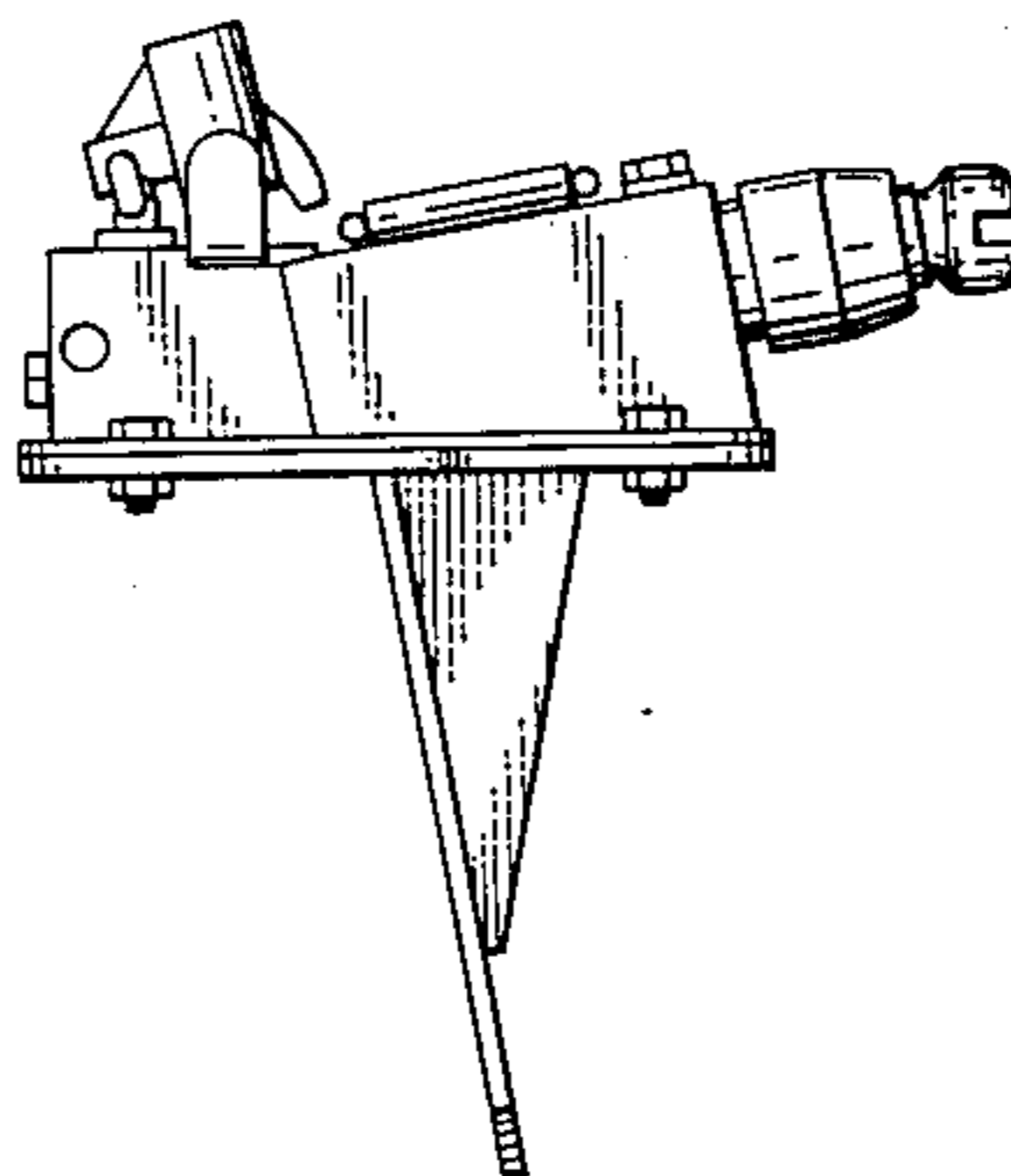
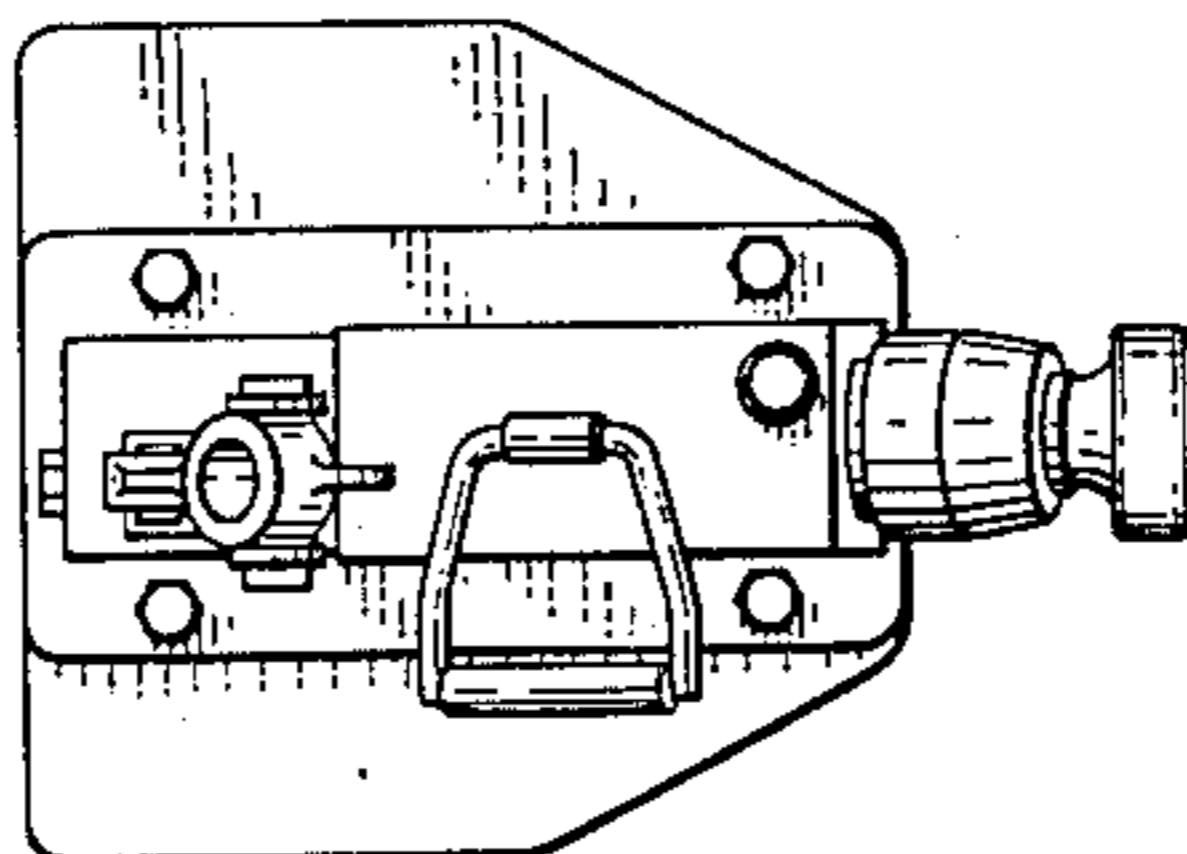
Primary Examiner—James M. Gandy
Attorney, Agent, or Firm—Seidel, Gonda, Goldhammer
& Abbott

[57] CLAIM

The ornamental design for a track alignment device, as shown and described.

DESCRIPTION

FIG. 1 is a top plan view of a track alignment device showing my new design;
FIG. 2 is a side elevation view thereof;
FIG. 3 is a front elevation view thereof;
FIG. 4 is a rear elevation view thereof.



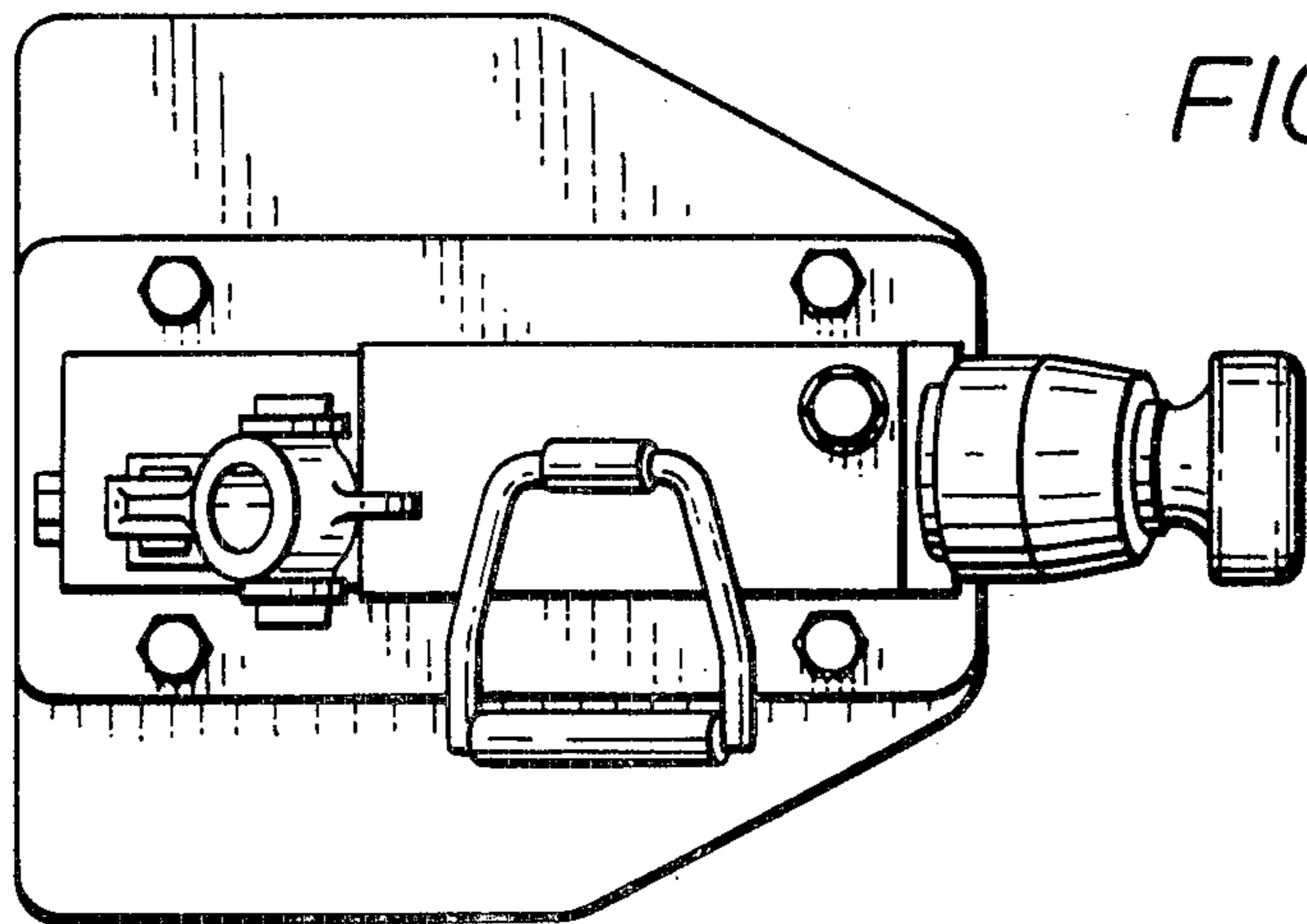


FIG. 1.

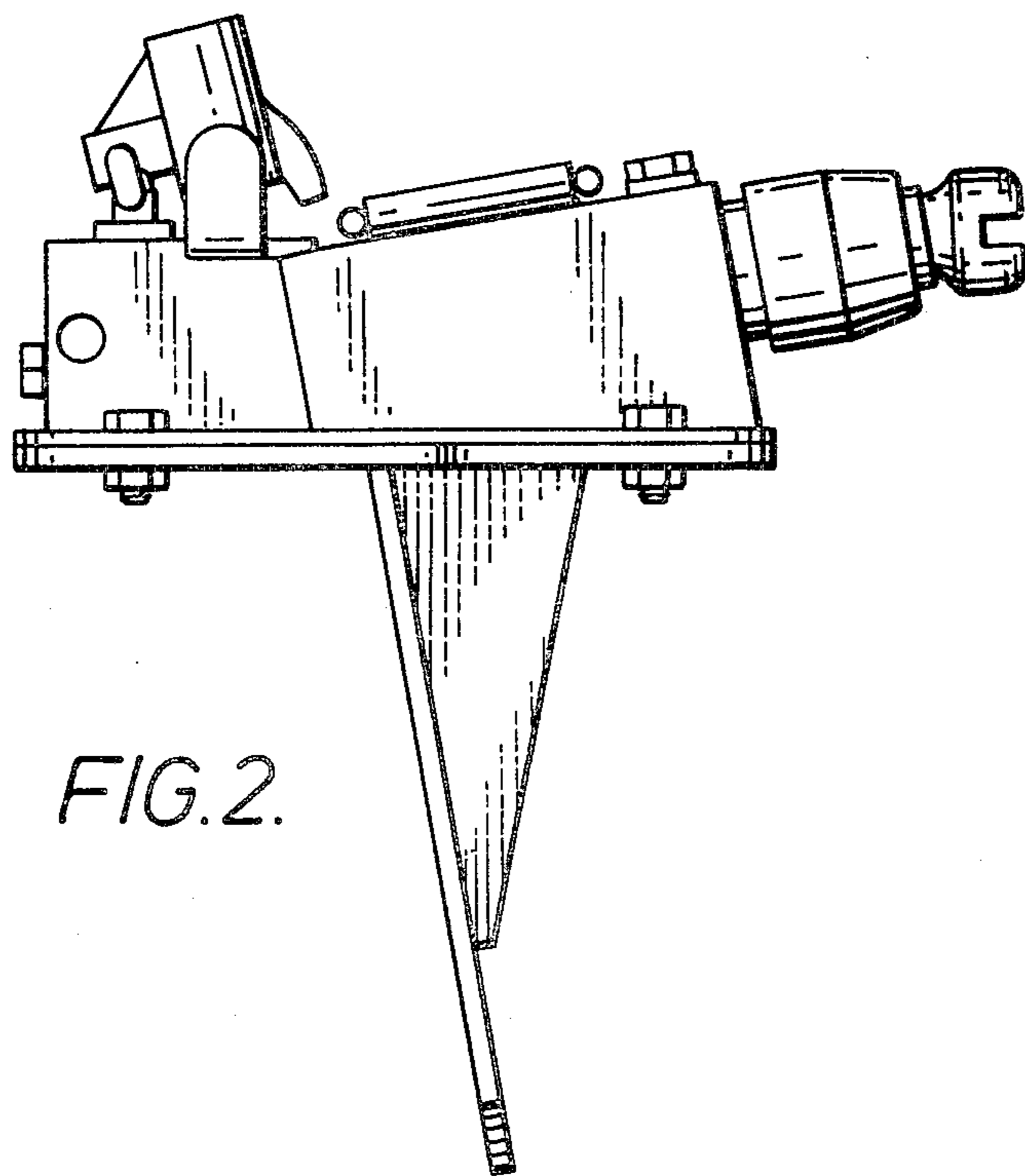


FIG. 2.

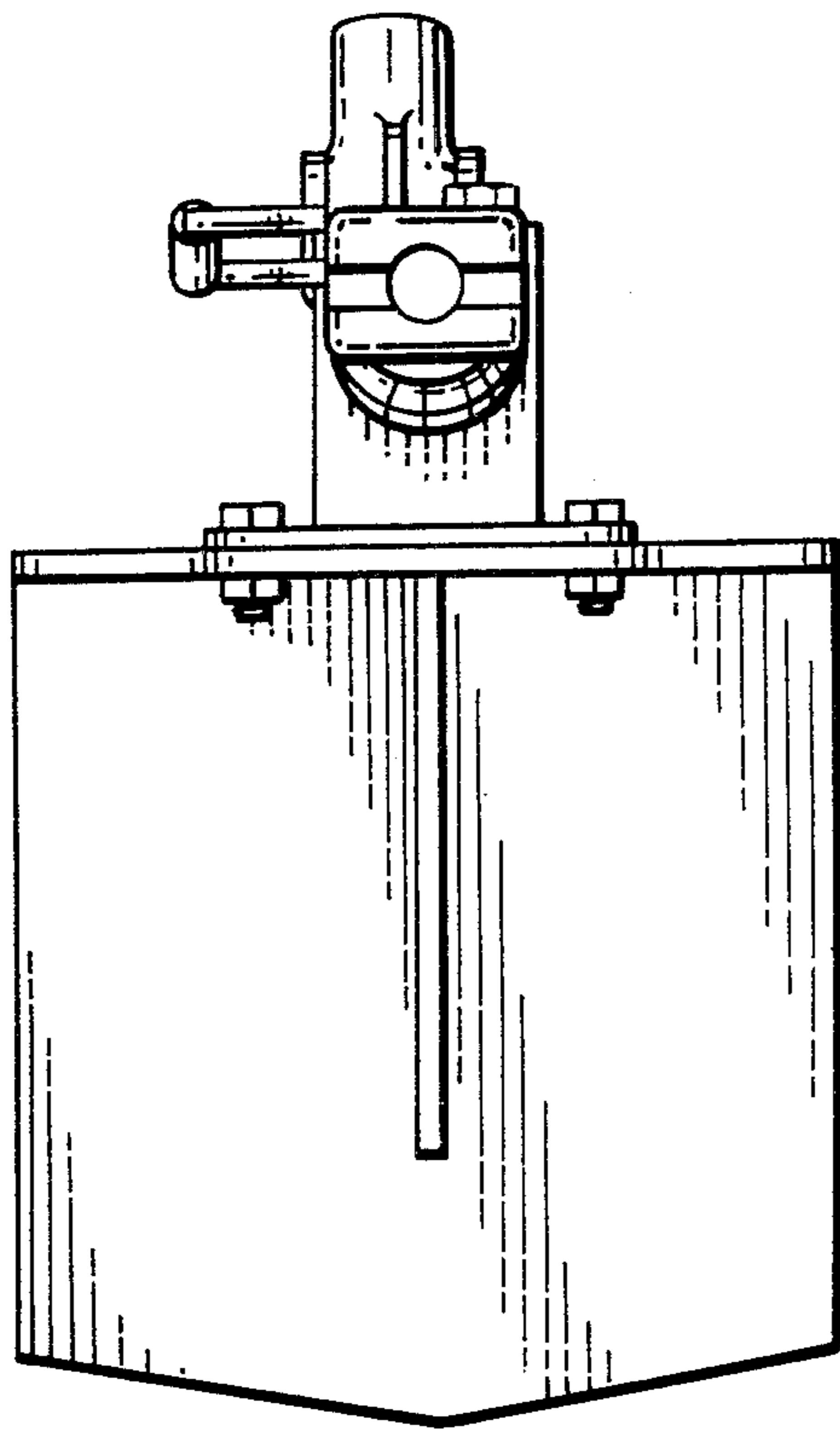


FIG. 3.

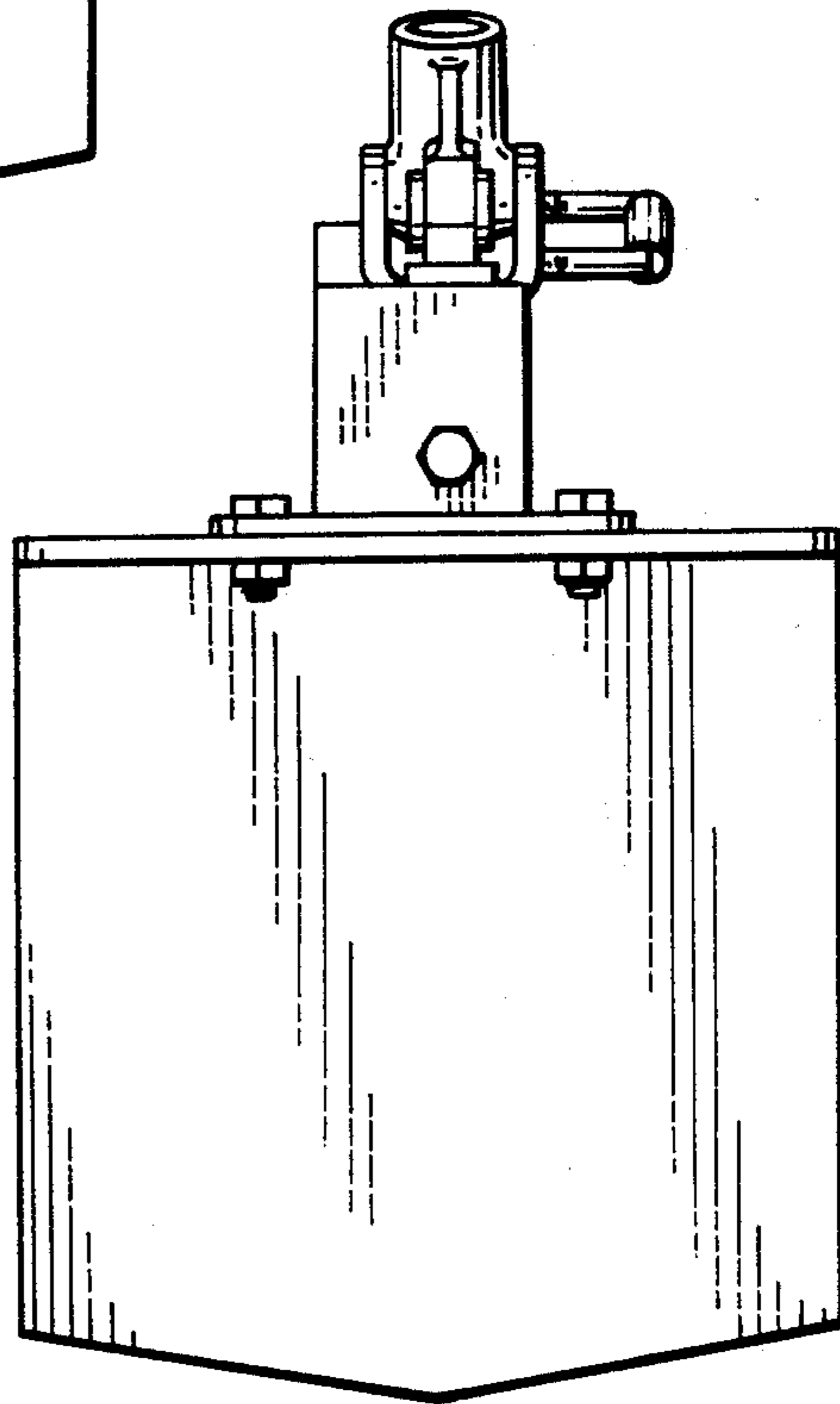


FIG. 4.