

[54] COMBINED EYE NUT AND WASHER

[76] Inventor: Malcolm S. Bethea, 232 Poinciana Dr., Birmingham, Ala. 35209

[\*\*] Term: 14 Years

[21] Appl. No.: 637,619

[22] Filed: Aug. 3, 1984

[52] U.S. Cl. .... D8/397; D8/399

[58] Field of Search ..... D8/397, 399; 411/400, 411/427, 531, 435, 533; 294/91; 16/1 R

[56] References Cited

U.S. PATENT DOCUMENTS

D. 123,423	11/1940	Schmidt et al. ....	411/435
4,408,941	10/1983	Motz .....	411/378
4,419,785	12/1983	McWhirter .....	D8/397

Primary Examiner—B. J. Bullock  
Attorney, Agent, or Firm—Jennings, Carter, Thompson & Veal

[57] CLAIM

The ornamental design for a combined eye nut and washer, as shown and described.

DESCRIPTION

FIG. 1 is a side elevational view of a combined eye nut and washer showing my new design, the side not shown being identical to the side shown;

FIG. 2 is a side elevational view as viewed from the left side of FIG. 1, the side not shown being identical to the side shown;

FIG. 3 is a top plan view thereof;

FIG. 4 is a bottom plan view thereof; and,

FIG. 5 is a reduced perspective view thereof.

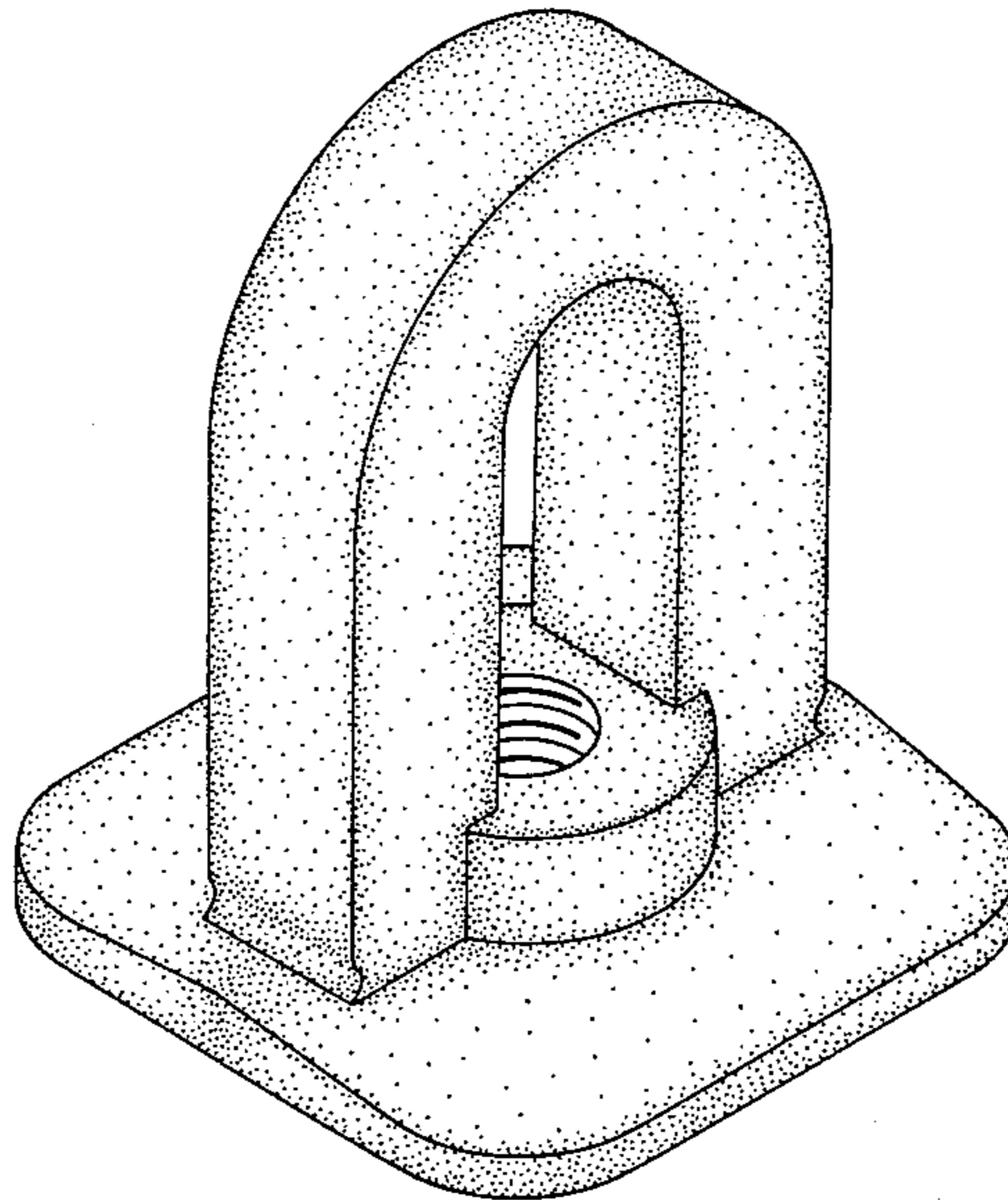


Fig. 5

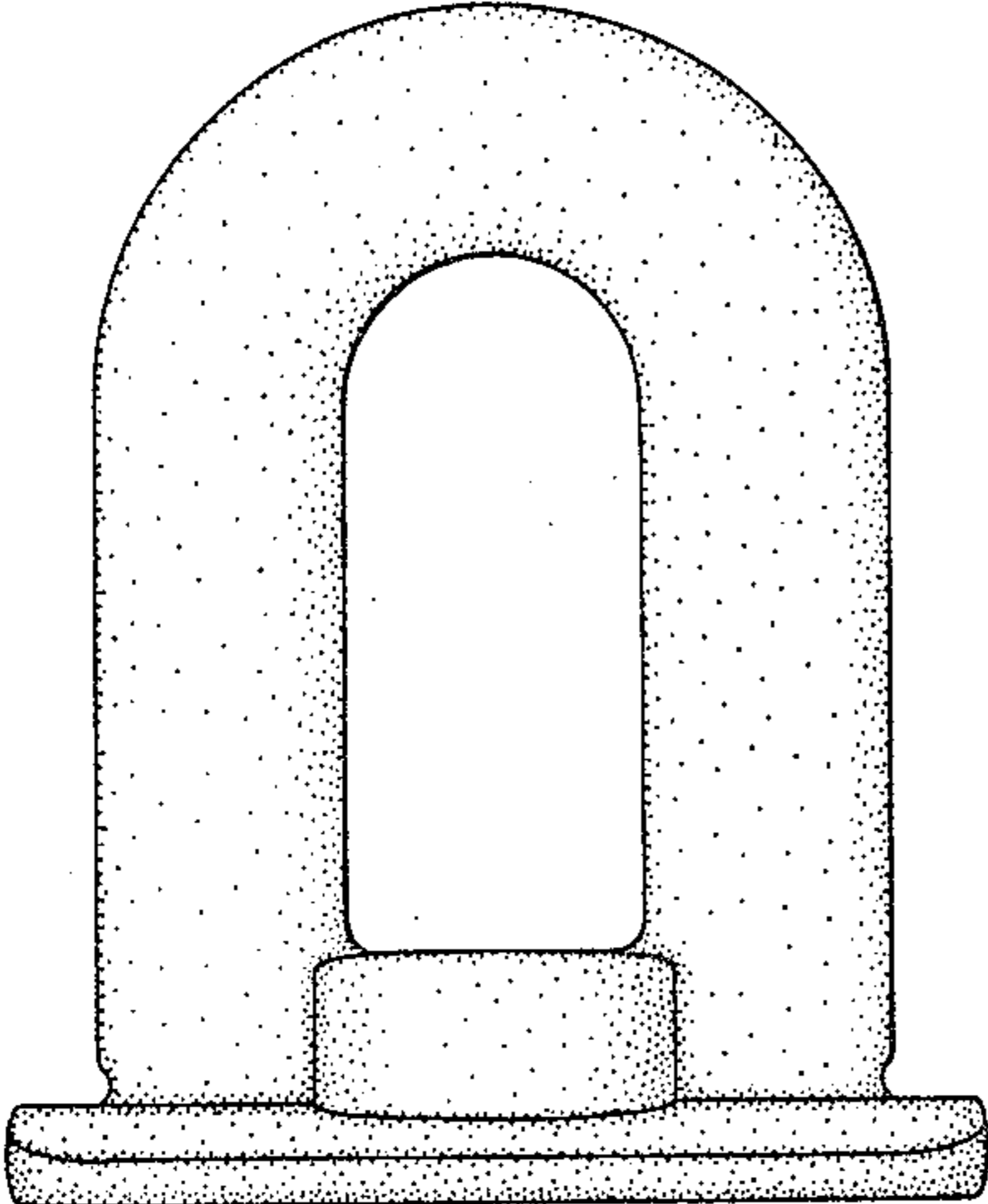
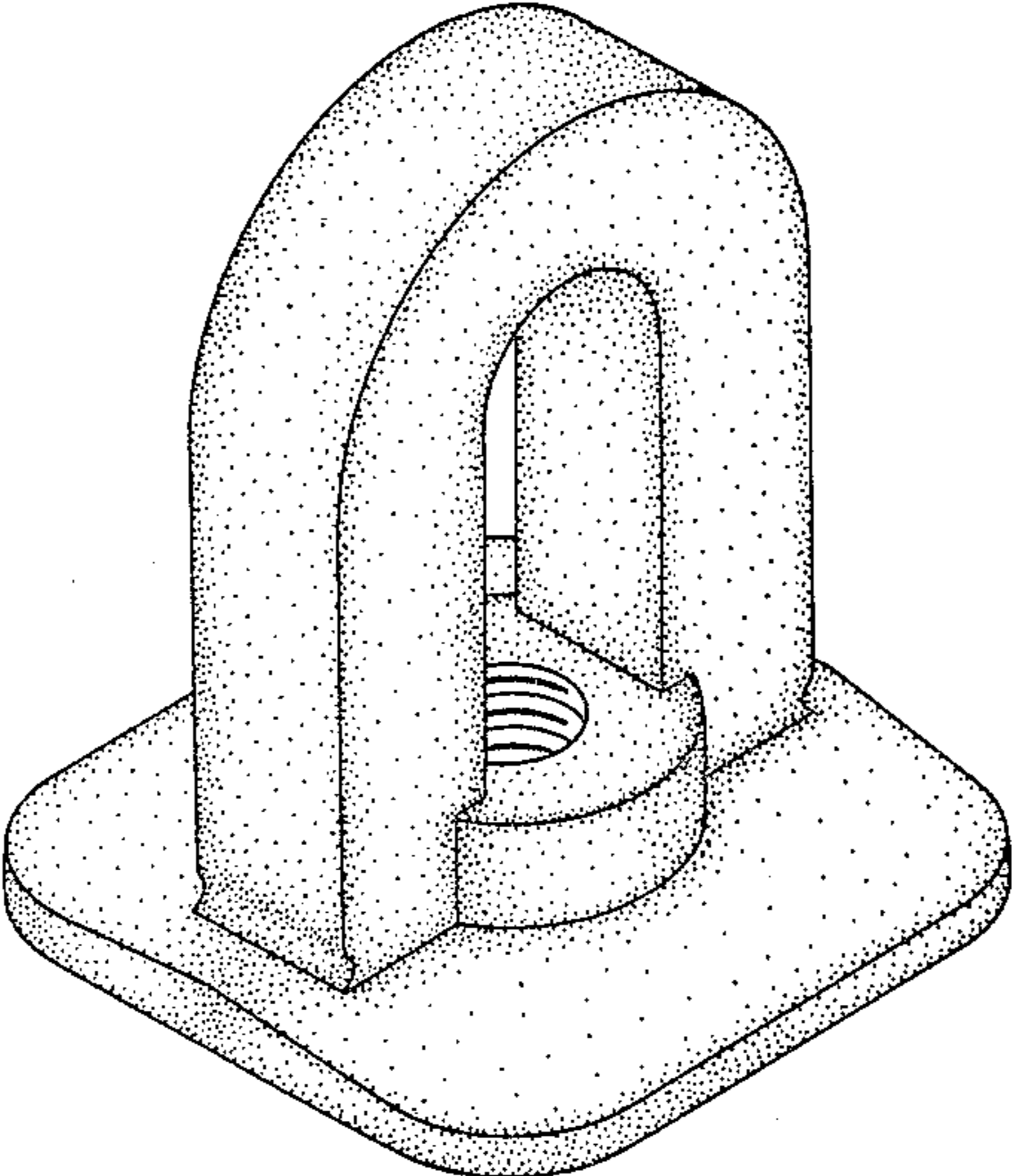


Fig. 1

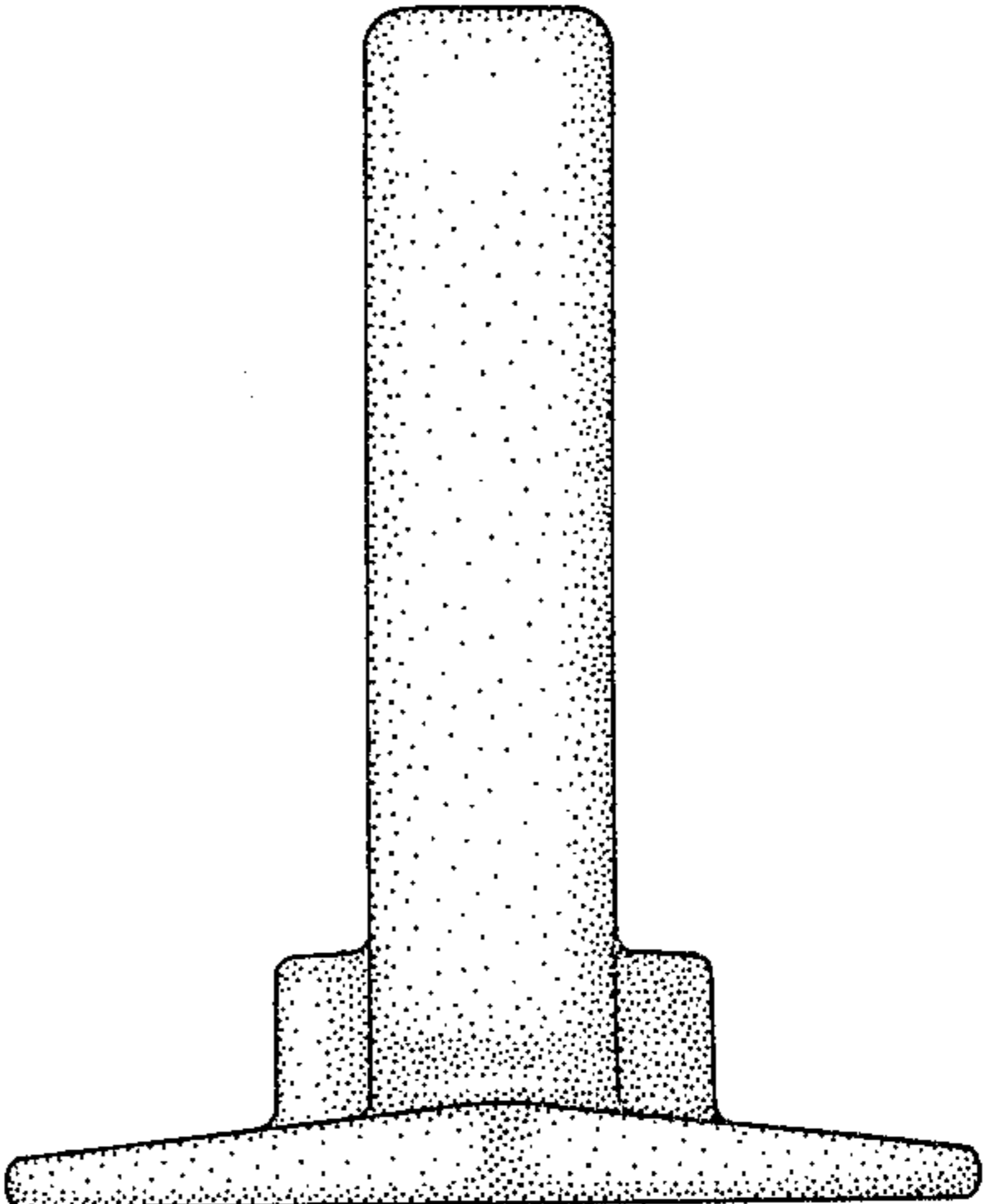


Fig. 2

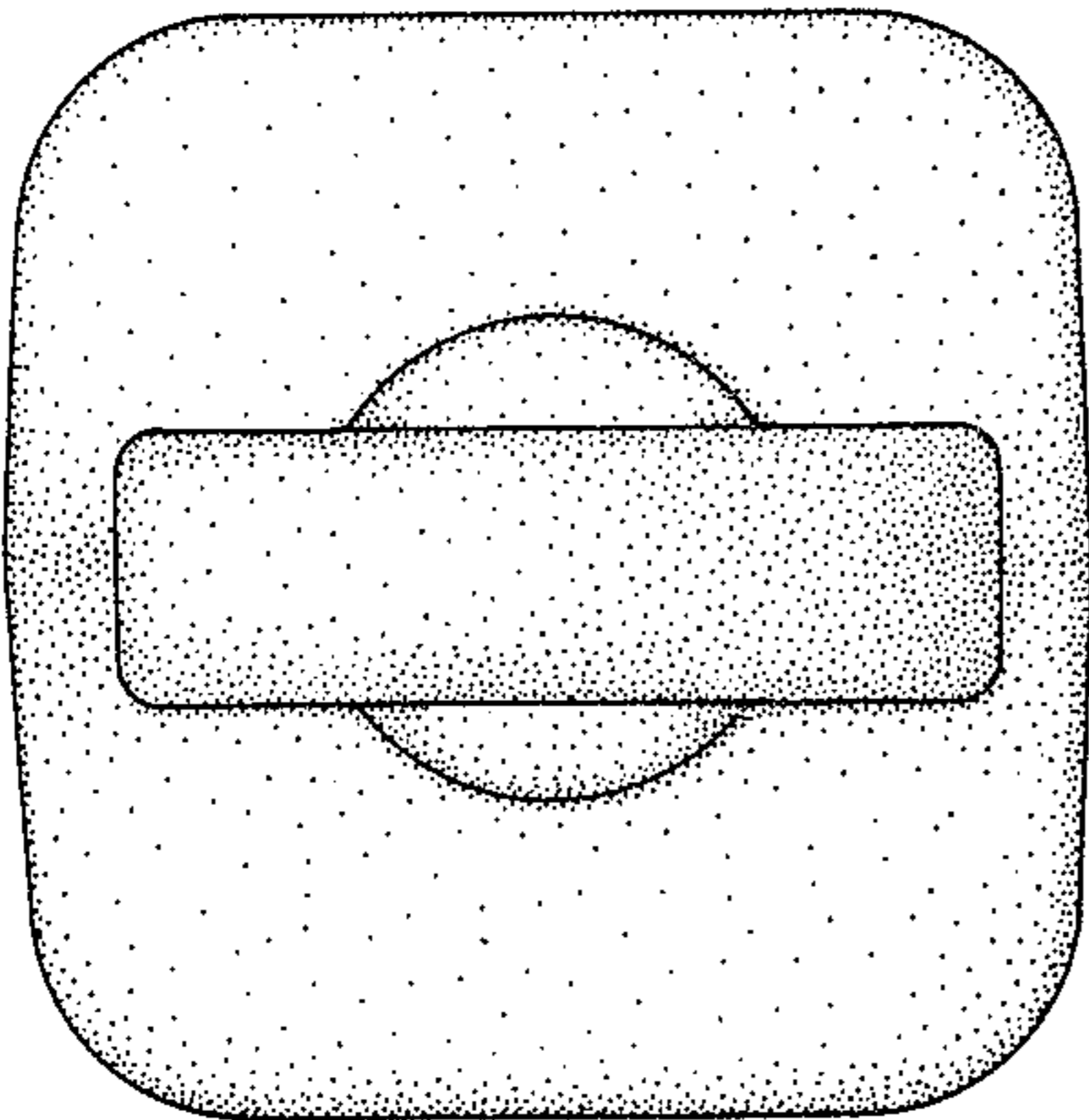


Fig. 3

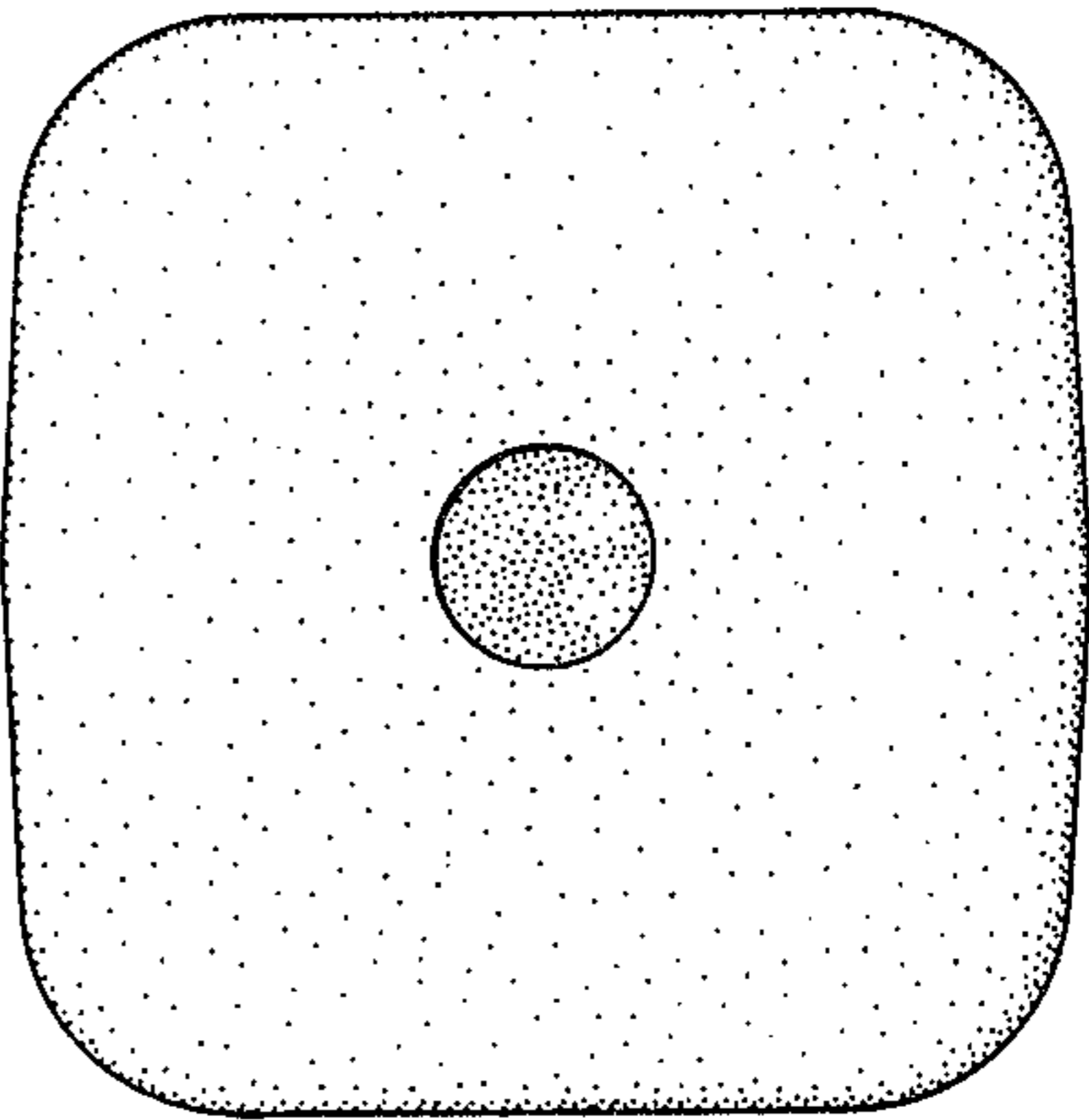


Fig. 4