

[54] ELECTRONIC TORQUE WRENCH

[75] Inventor: Bosko Grabovac, Arcadia, Calif.

[73] Assignee: Consolidated Devices, Inc., City of Industry, Calif.

[**] Term: 14 Years

[21] Appl. No.: 554,045

[22] Filed: Nov. 21, 1983

[52] U.S. Cl. D8/24

[58] Field of Search D8/24, 25, 60, 61; 73/862.21, 862.22, 862.23; 81/467, 469, 479

[56] References Cited

U.S. PATENT DOCUMENTS

D. 281,143	10/1985	Grabovac	D8/24
2,682,796	7/1954	Larson	81/479
3,304,772	2/1967	Campbell	73/862.22
3,879,996	4/1975	Green	73/862.21
4,275,263	3/1981	Herrgen	73/862.23

FOREIGN PATENT DOCUMENTS

2843406	8/1980	Fed. Rep. of Germany	81/467
---------	--------	----------------------	-------	--------

OTHER PUBLICATIONS

Design News 2-7-83, p. 30 Torque Wrench—bottom left of page.

Primary Examiner—Susan J. Lucas

Assistant Examiner—C. E. Heflin

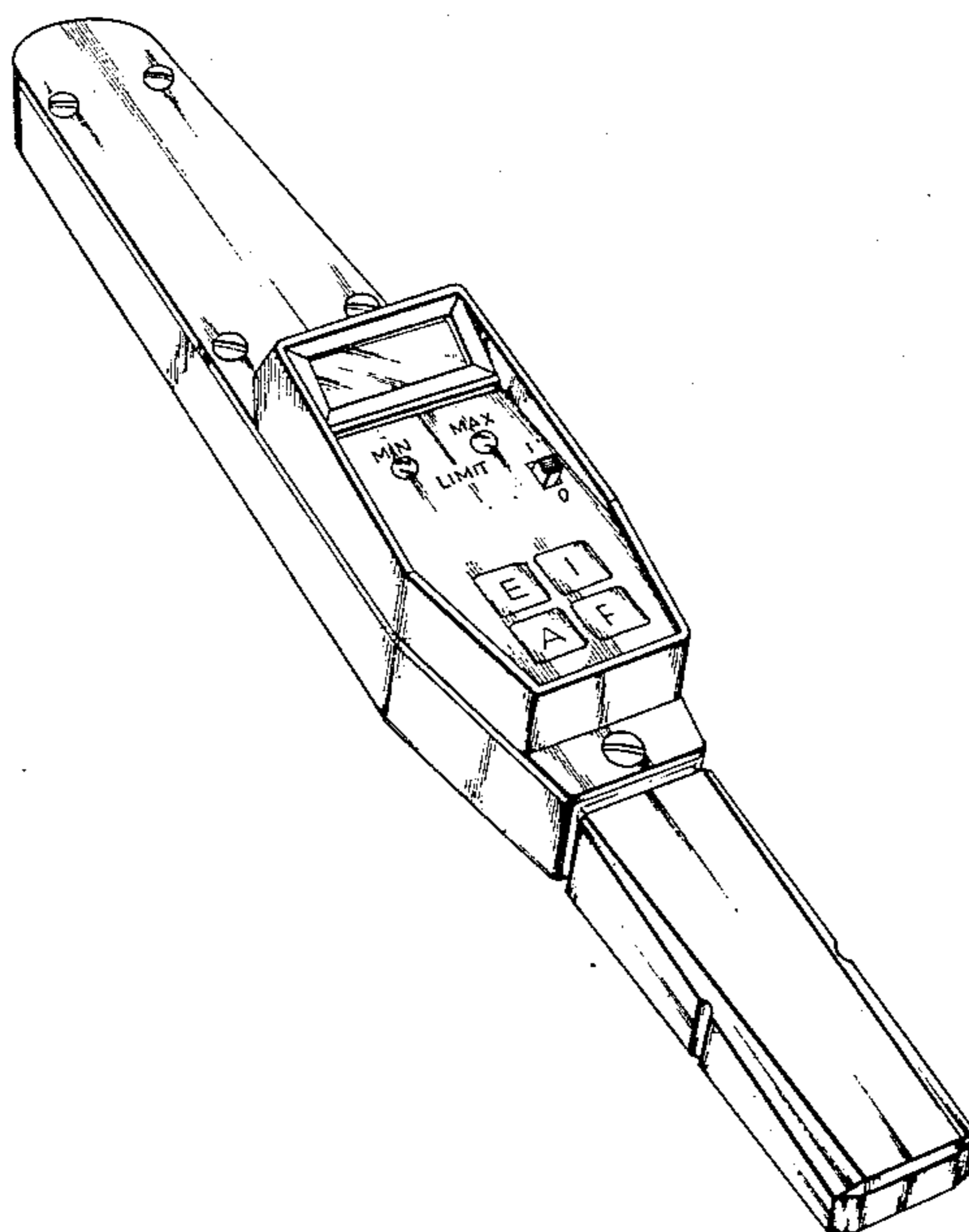
Attorney, Agent, or Firm—Georges A. Maxwell

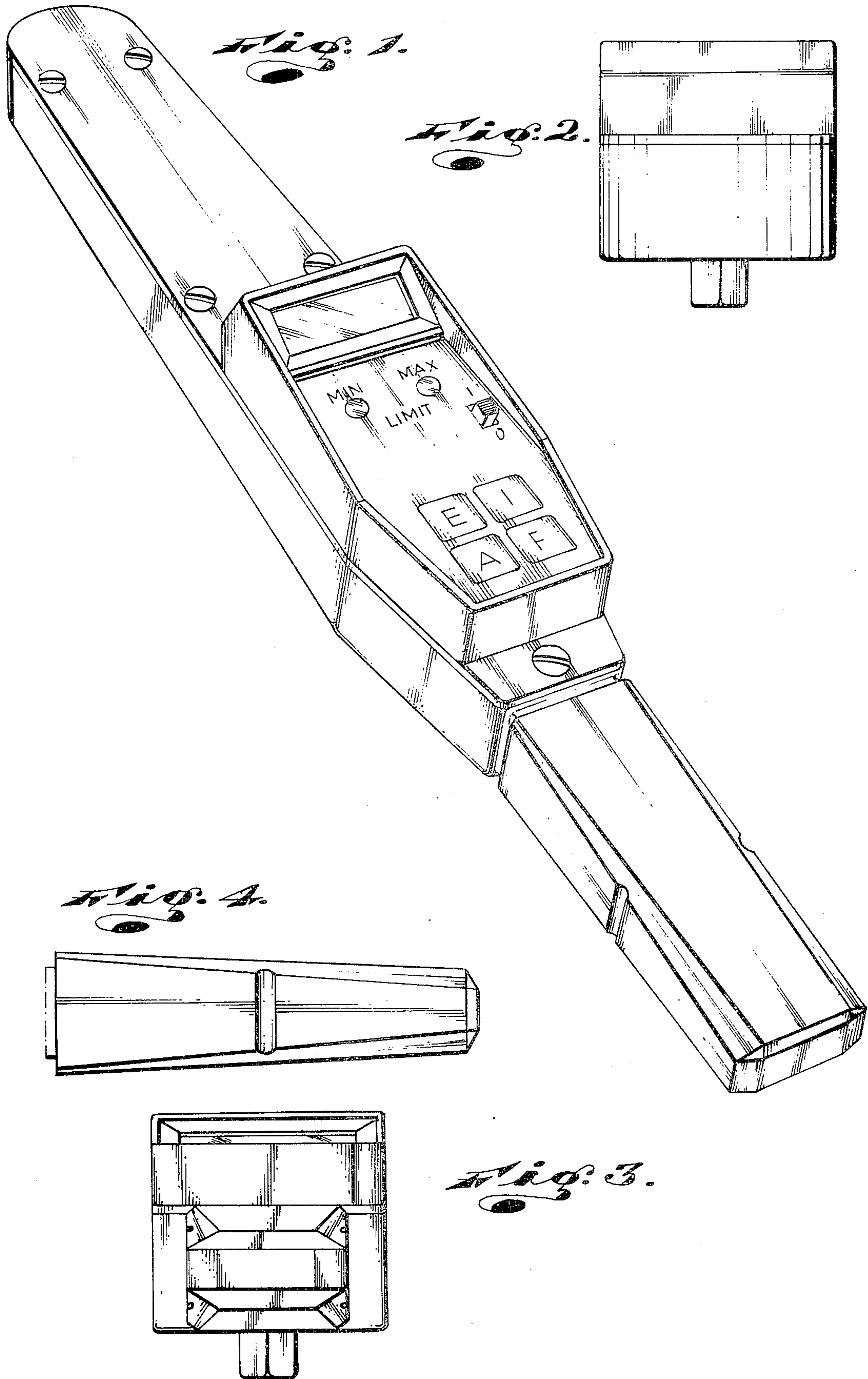
[57] CLAIM

The ornamental design for an electronic torque wrench, as shown and described.

DESCRIPTION

FIG. 1 is a top, rear and one side isometric view of an electronic torque wrench showing my new design; FIG. 2 is a front elevational view thereof; FIG. 3 is a rear elevational view thereof; FIG. 4 is a fragmentary side elevational view of the handle portion thereof, the opposite side being a mirror image; FIG. 5 is a bottom, rear and opposite side isometric view thereof; FIG. 6 is a fragmentary side elevational view of the central portion thereof, the opposite side being a mirror image.





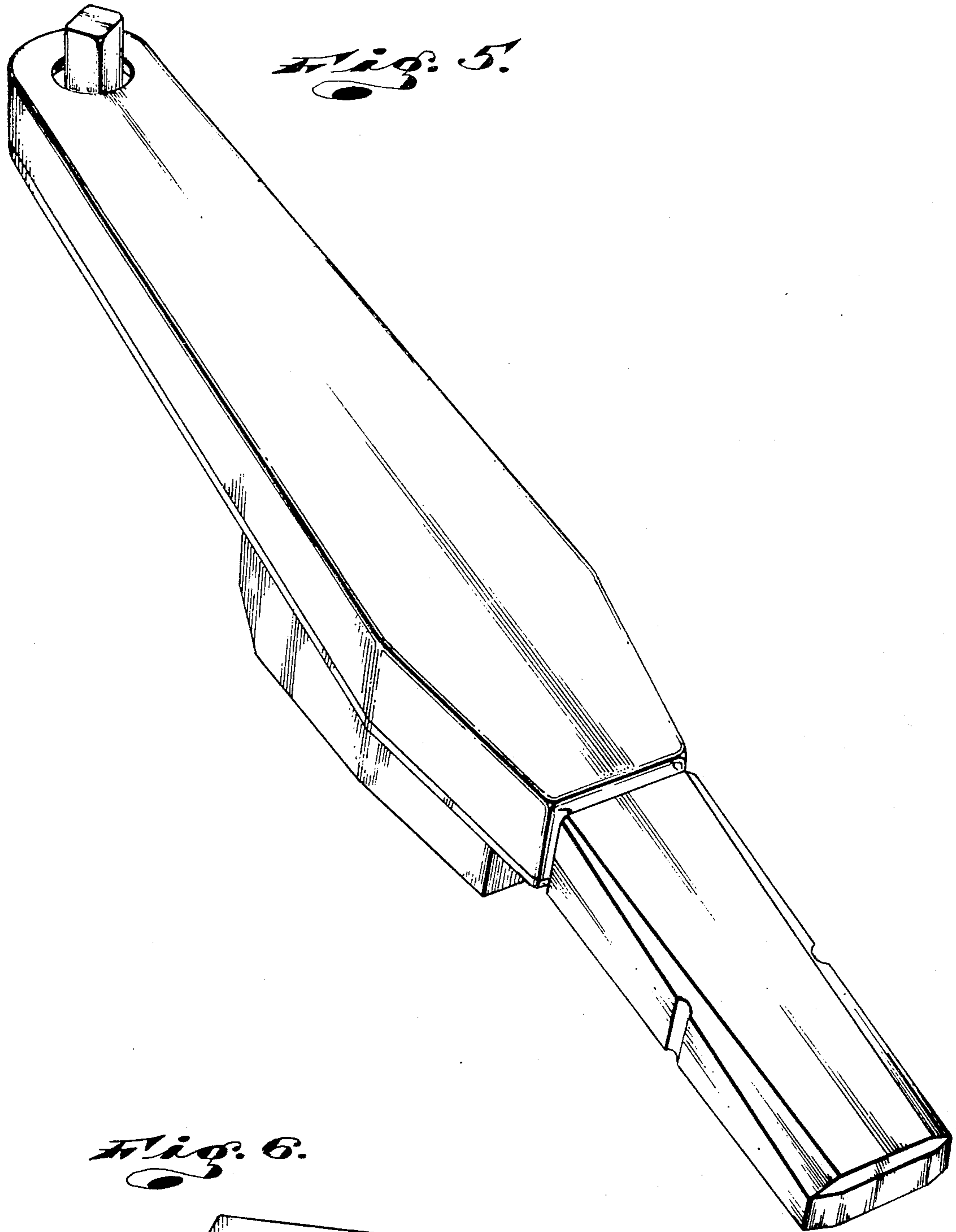


Fig. 6.

