

[54] CORDLESS ELECTRIC KNIFE HOUSING

[75] Inventor: Don R. McCloskey, Trappe, Md.

[73] Assignee: The Black & Decker Company, Newark, Del.

[**] Term: 14 Years

[21] Appl. No.: 681,425

[22] Filed: Dec. 13, 1984

[52] U.S. Cl. D7/139

[58] Field of Search D7/139, 379, 412; D13/6; 30/272 A, 272 R, 173

[56] References Cited

U.S. PATENT DOCUMENTS

D. 203,850	2/1966	Chieda	D7/379
D. 220,883	6/1971	Steinkamp	D7/379
D. 234,742	4/1975	Stut	D7/379
D. 275,441	9/1984	Becker et al.	D7/139 X
3,224,826	12/1965	Kemnitz	D7/379 X
3,533,600	10/1970	Gerson	30/272 A X

Primary Examiner—Winifred E. Herrmann
Attorney, Agent, or Firm—Finnegan, Henderson, Farabow, Garrett & Dunner

[57] CLAIM

The ornamental design for a cordless electric knife housing, as shown and described.

DESCRIPTION

FIG. 1 is a top, front, and right side perspective view of a cordless electric knife housing showing my new design, the knife blade being shown in broken lines as illustrative of environmental structure only and forms no part of the claimed design;

FIG. 2 is a left side elevational view thereof;

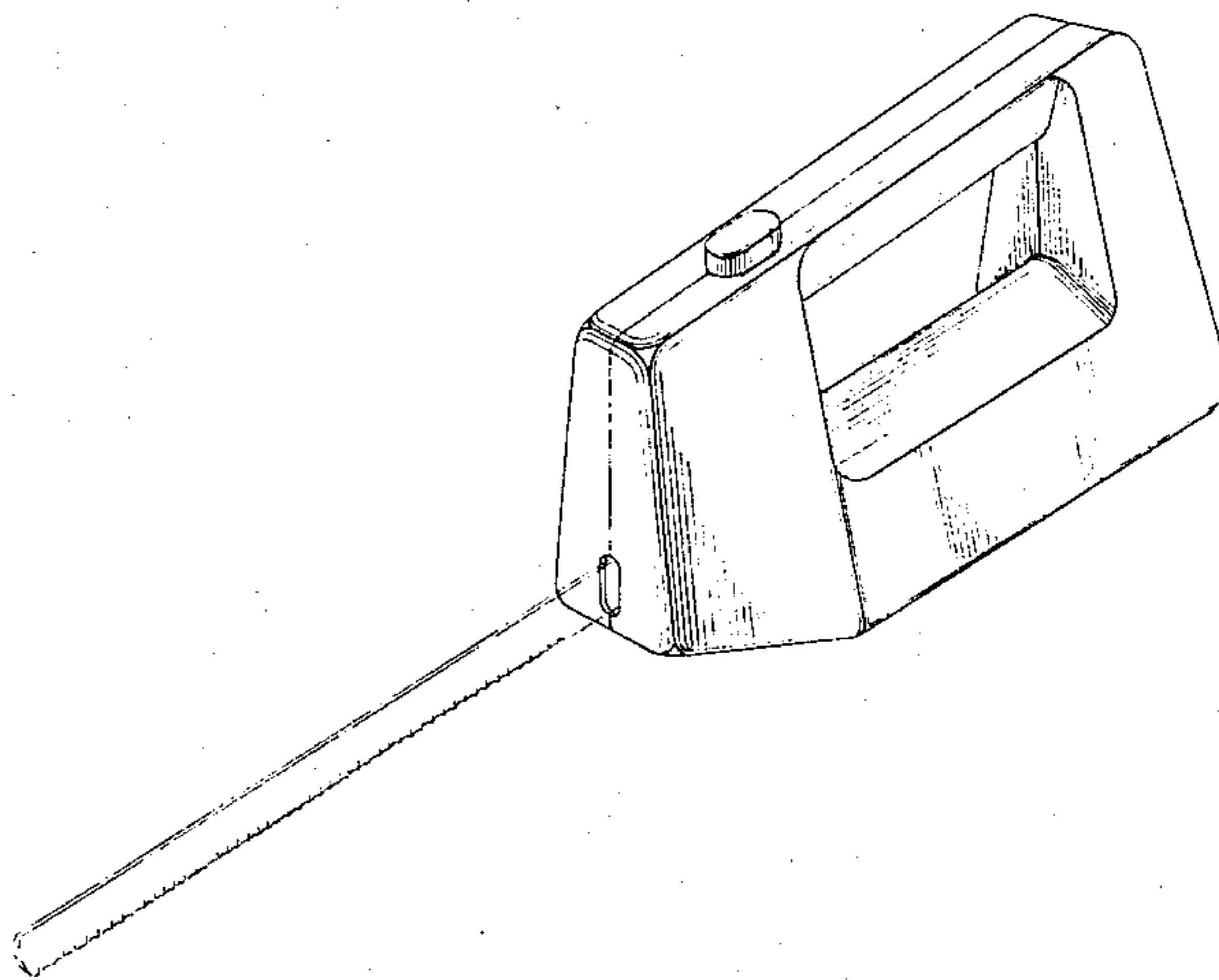
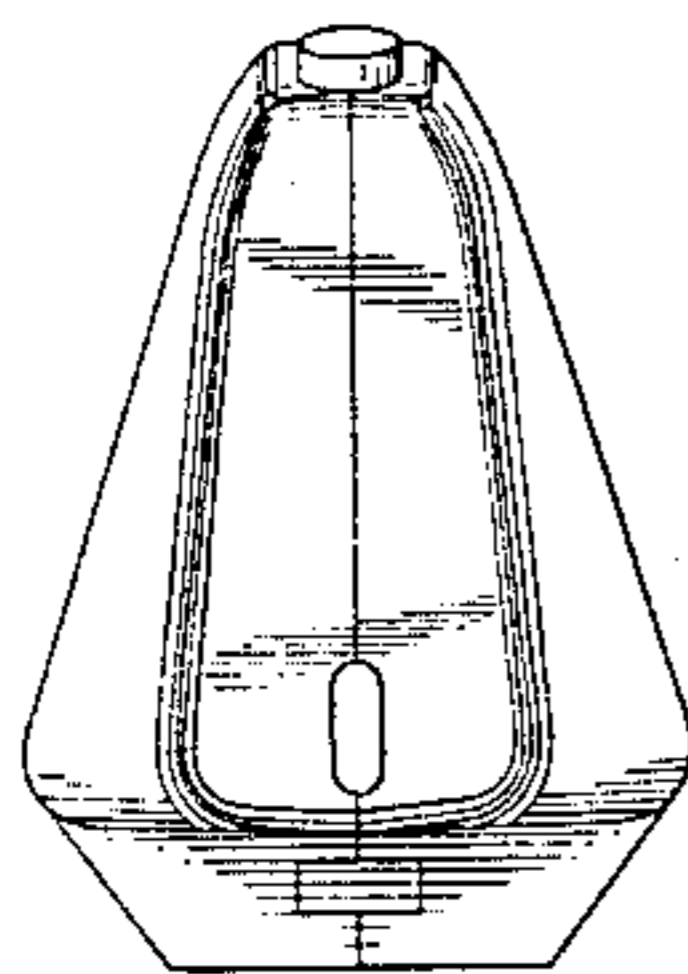
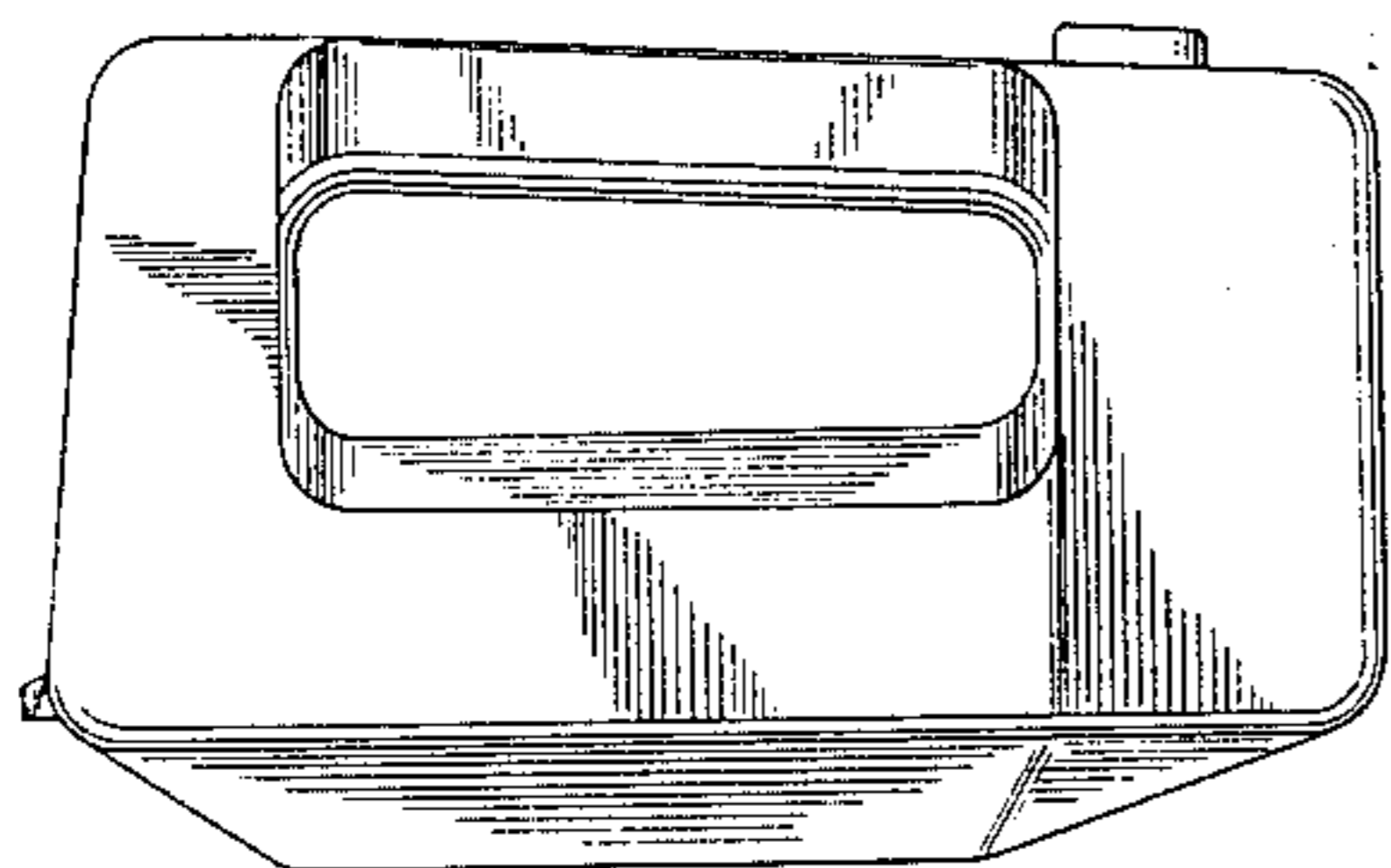
FIG. 3 is a front end elevational view thereof.

FIG. 4 is a rear end elevational view thereof.

FIG. 5 is a top plan view thereof.

FIG. 6 is a bottom plan view thereof.

FIG. 7 is a perspective view similar to FIG. 1 with a charge base being shown in broken lines as illustrative of embodimental structure only and forms no part of the claimed design.



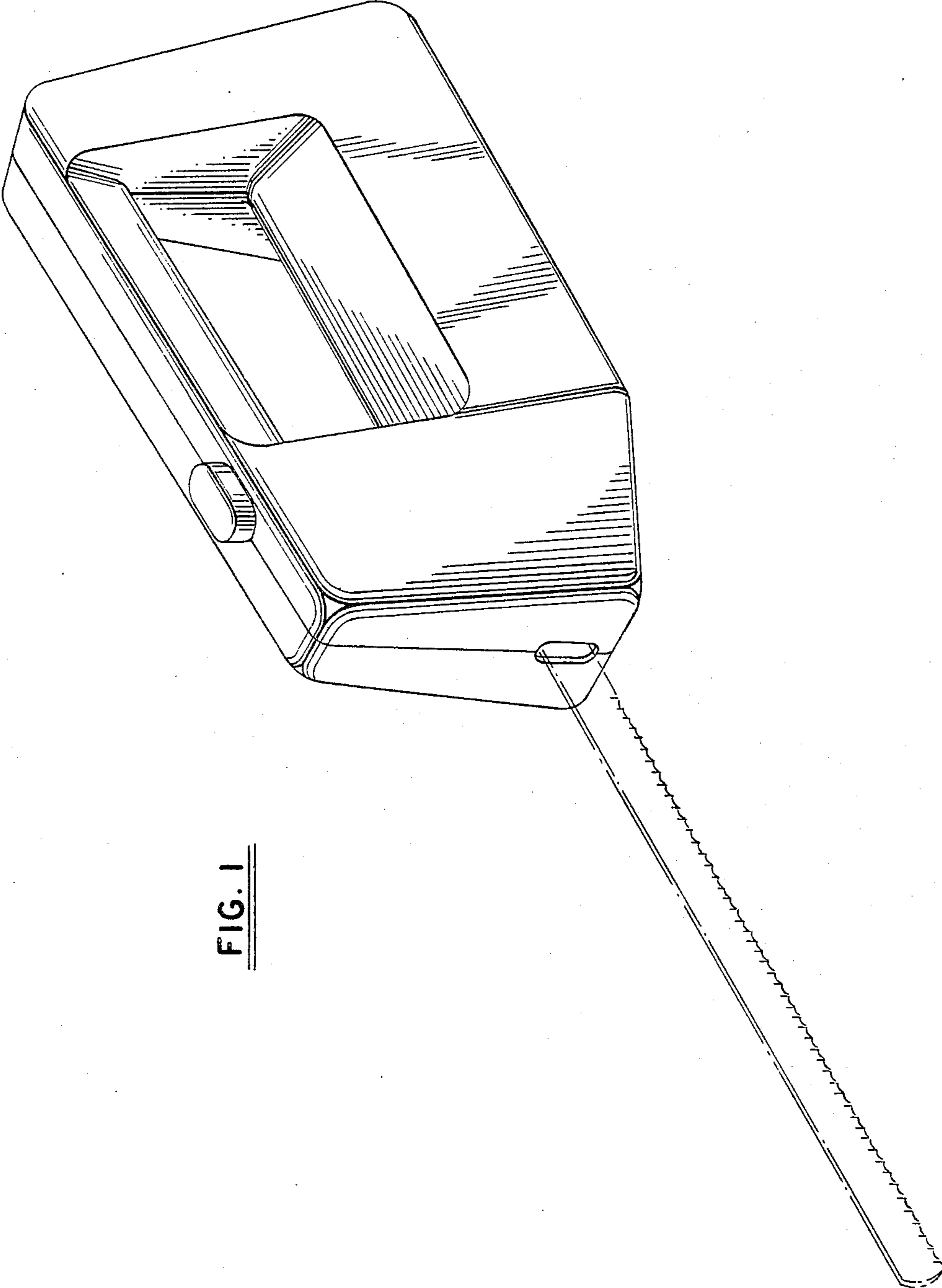


FIG. 1

FIG. 2

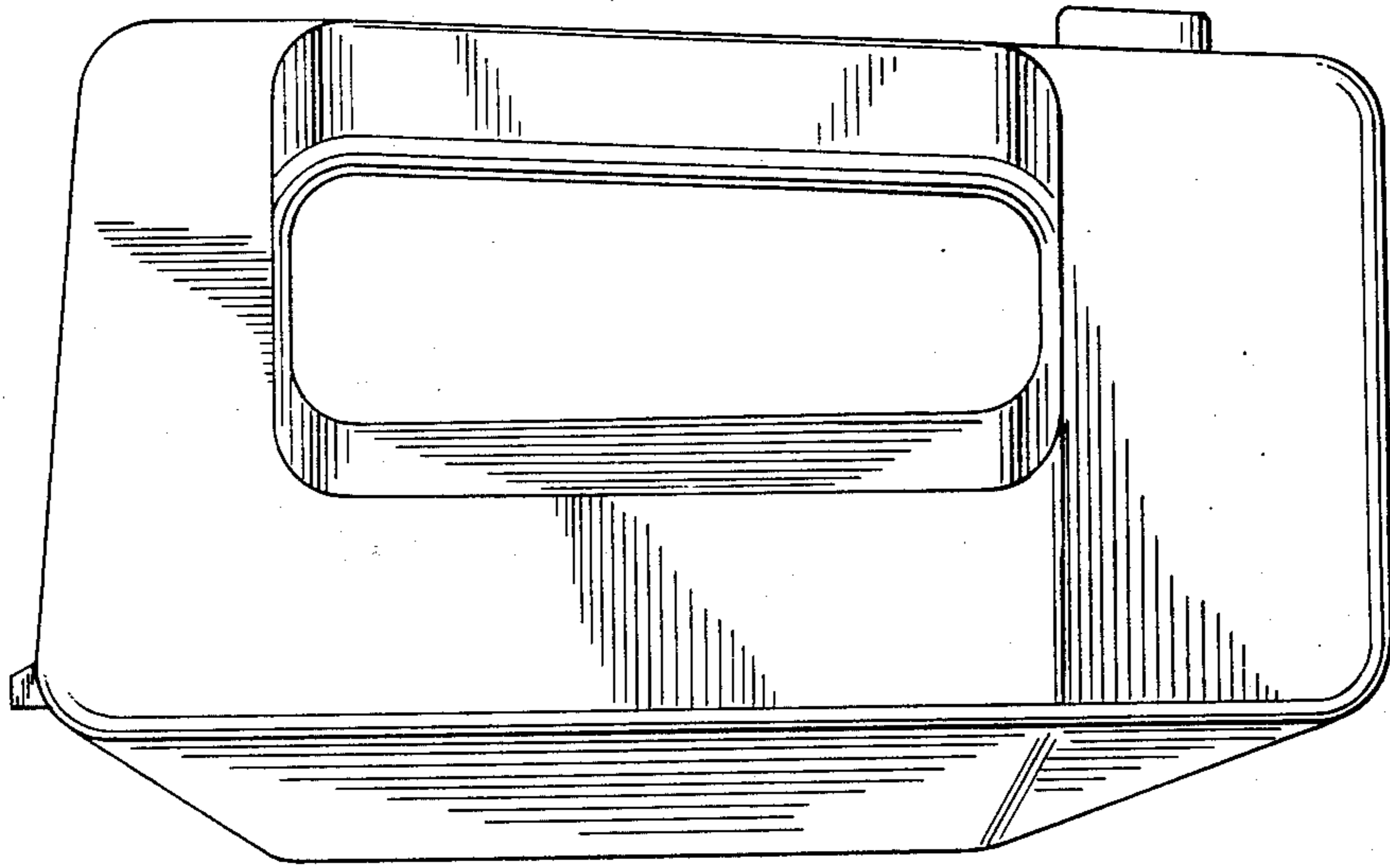


FIG. 3

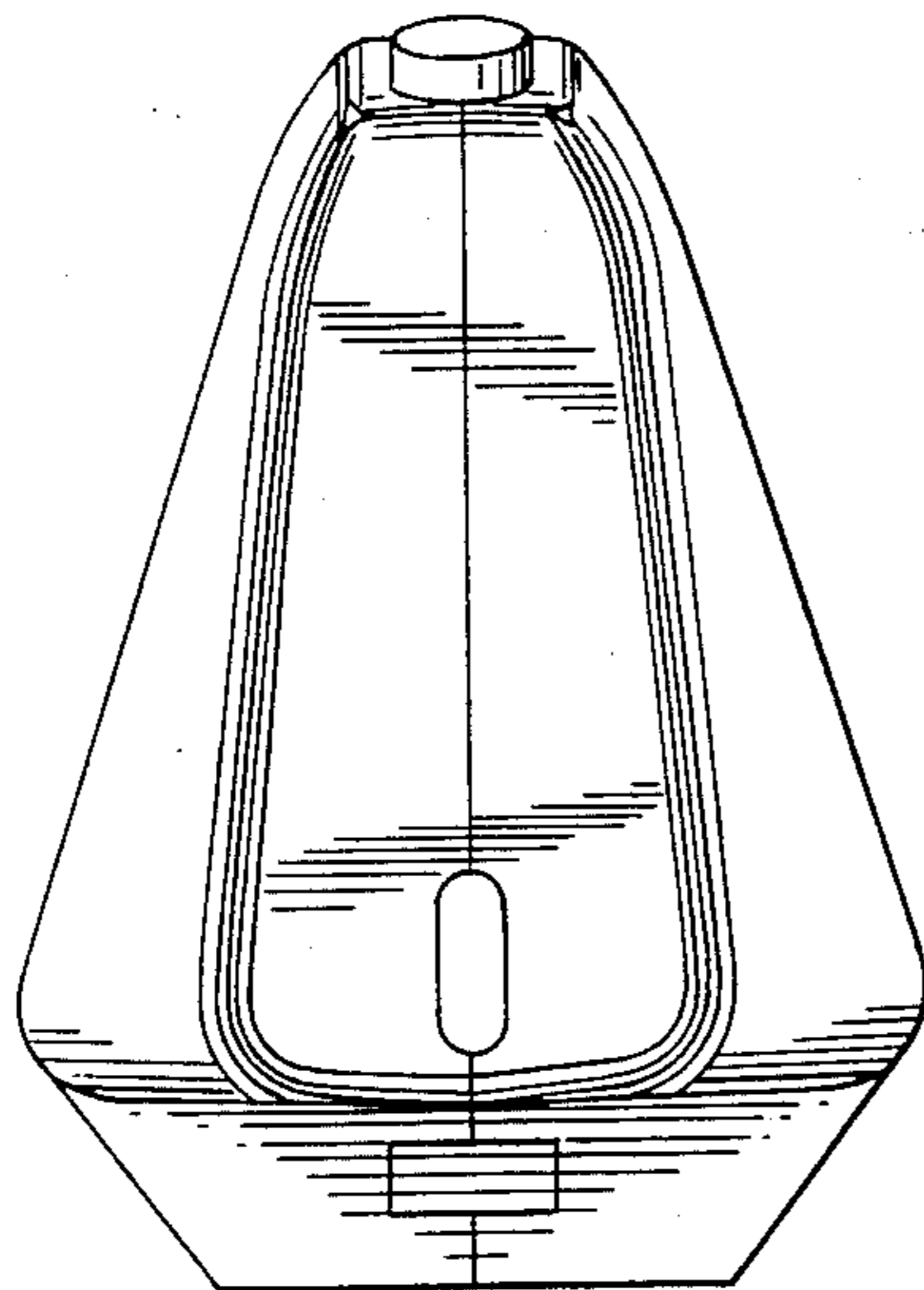


FIG. 4

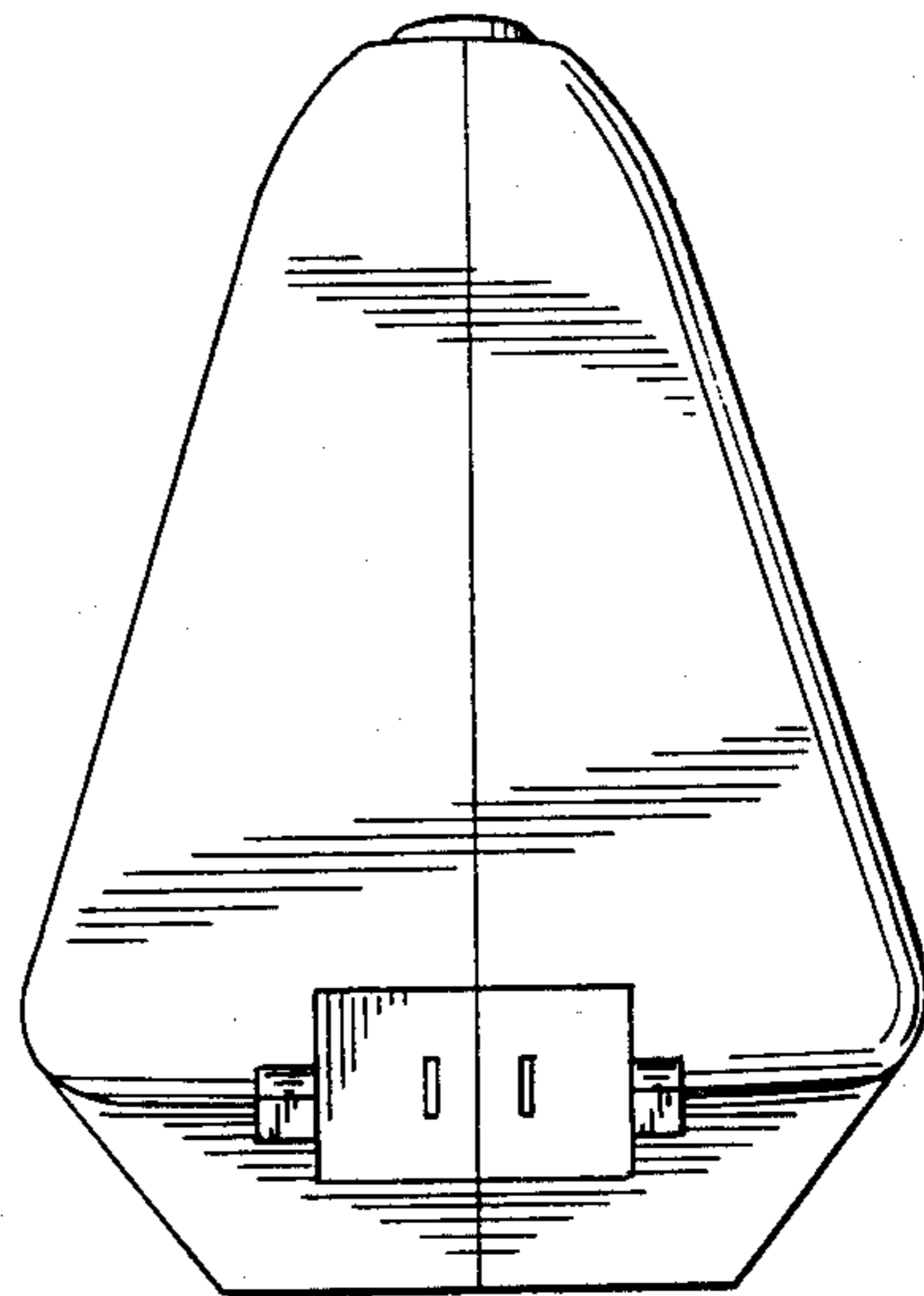


FIG. 5

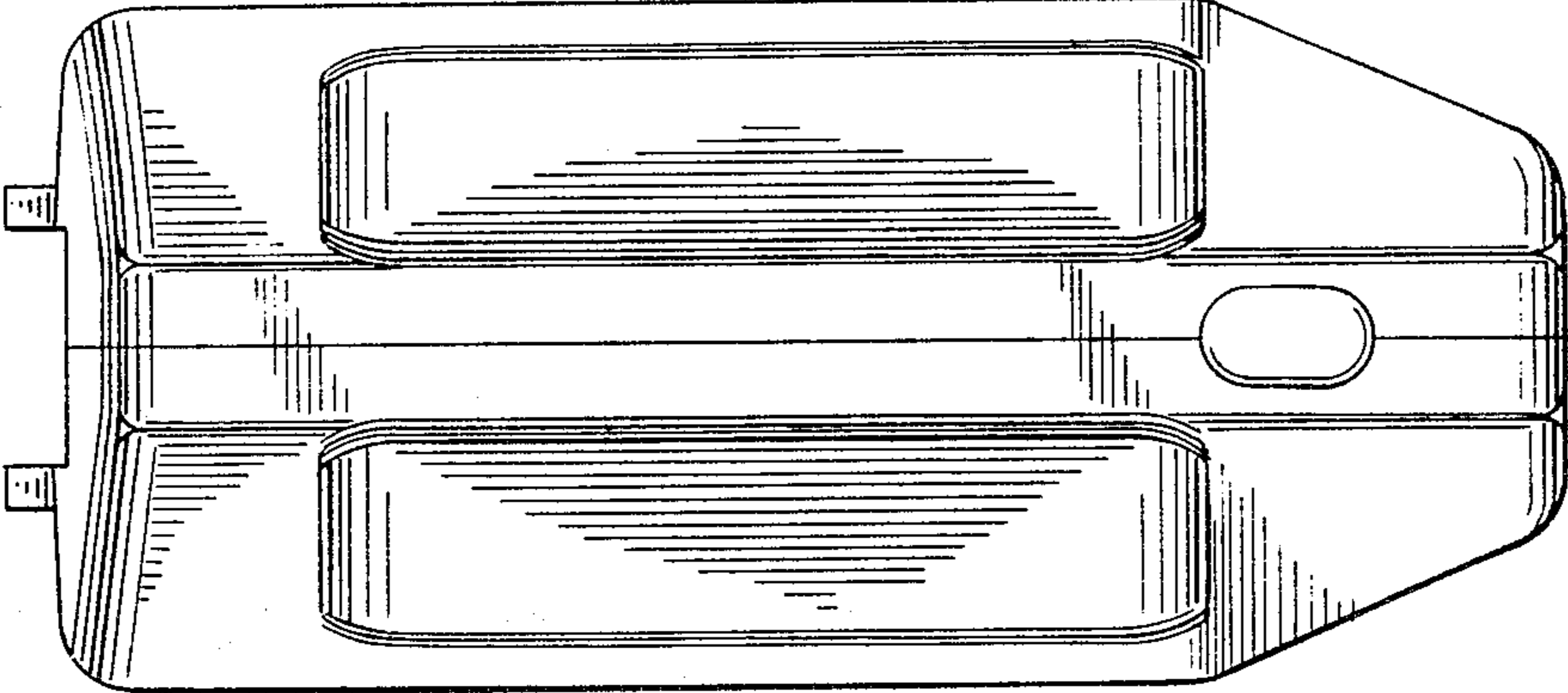
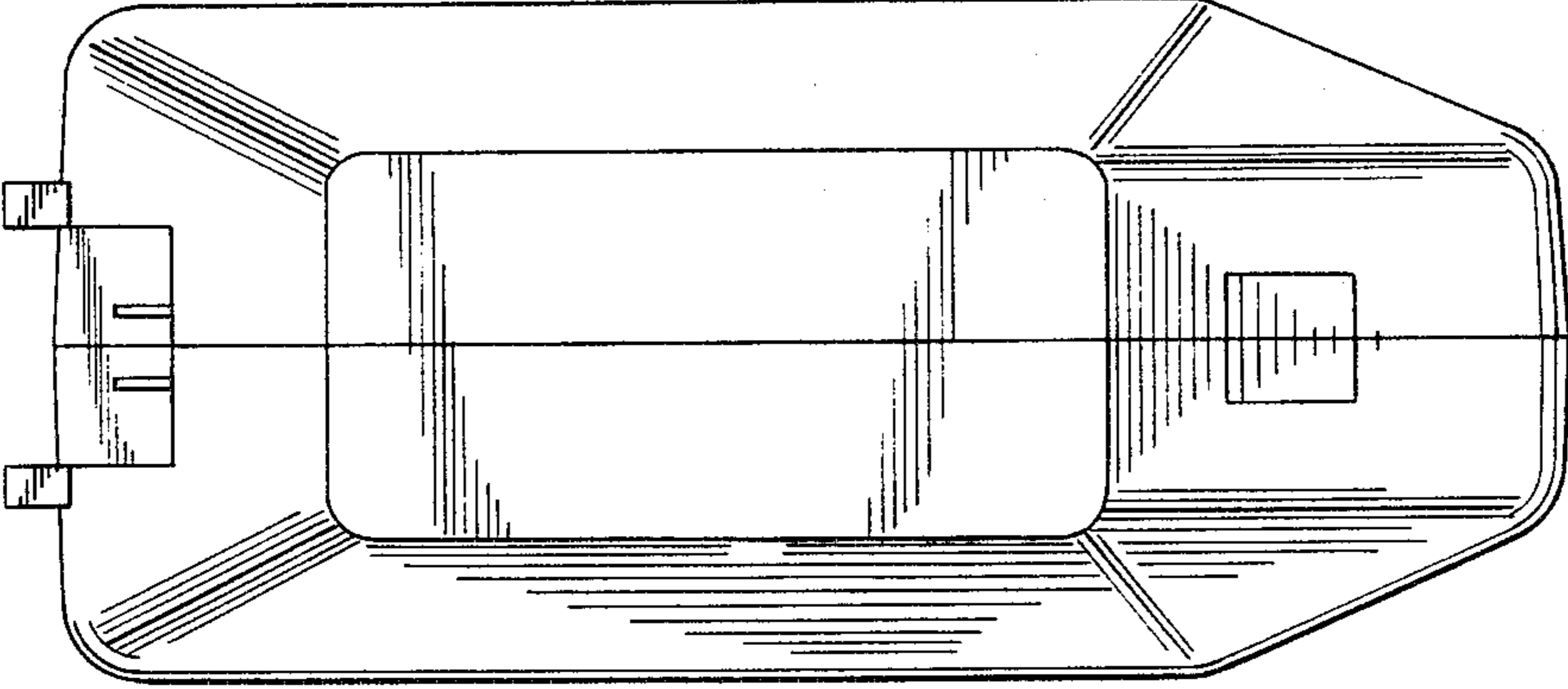


FIG. 6



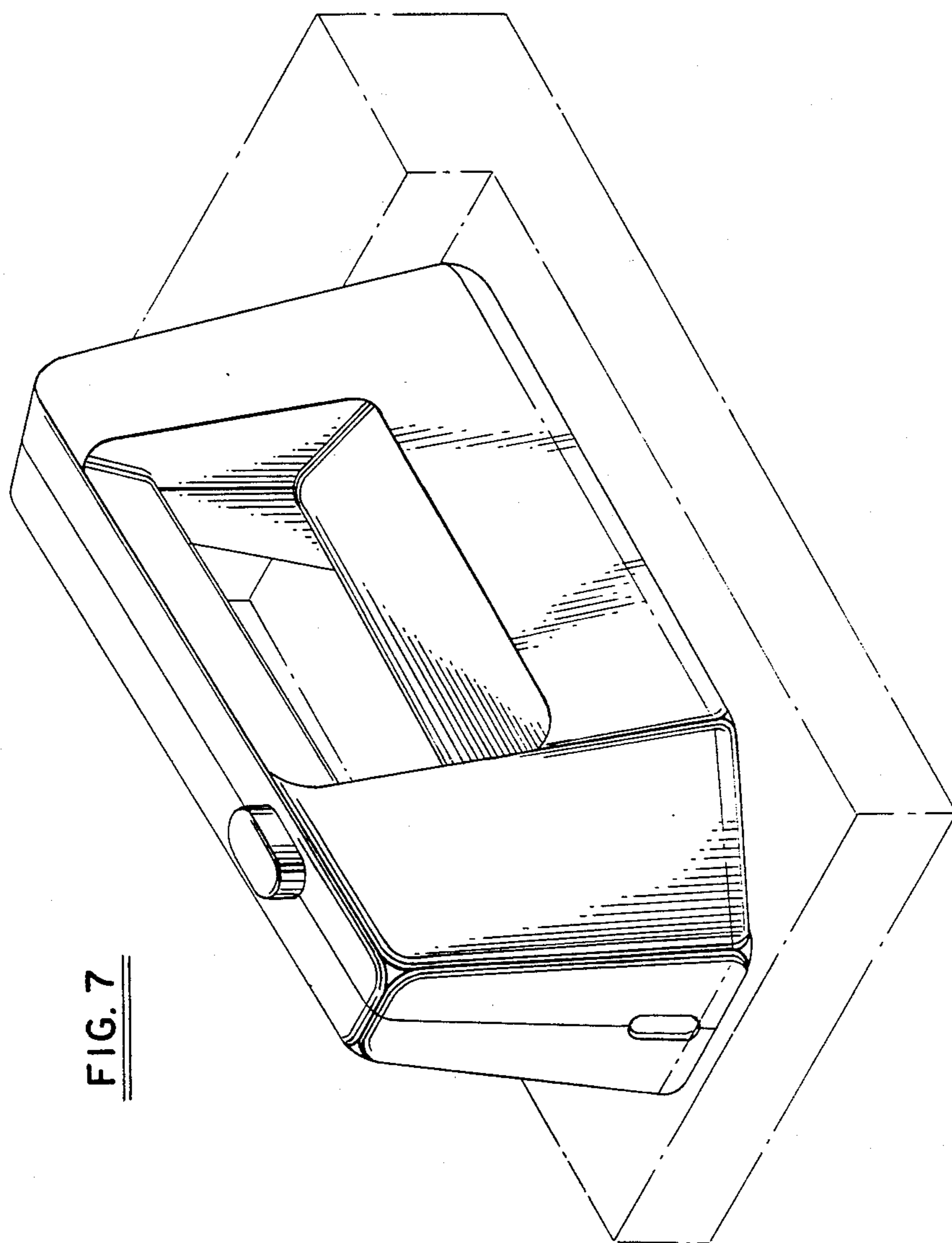


FIG. 7