

[54] COMBINED SET OF JARS AND WALL MOUNTED HOLDER

[75] Inventor: Bruno Gecchelin, Milan, Italy

[73] Assignee: Fratelli Guzzini S.p.A., Recanati, Italy

[**] Term: 14 Years

[21] Appl. No.: 624,767

[22] Filed: Jun. 26, 1984

[30] Foreign Application Priority Data

Dec. 29, 1983 [IT] Italy 24058B/83[U]

[52] U.S. Cl. D7/81; D6/559; D6/573

[58] Field of Search D7/52, 81; D6/553, 567, D6/569, 572, 573; 211/71, 74, 75, 126, 128; 108/27, 30, 47, 102, 107, 144, 148, 149, 152

[56] References Cited

U.S. PATENT DOCUMENTS

D. 239,244 3/1976 Lubge D7/52
D. 253,270 10/1979 Middleton, Jr. D7/81

2,305,965 12/1942 Henkel et al. 211/75
2,557,801 6/1951 Shapiro 211/75
3,300,055 1/1967 Rohr 211/128
4,064,992 12/1977 Ralston et al. 211/75
4,378,889 4/1983 Lebowitz 211/74

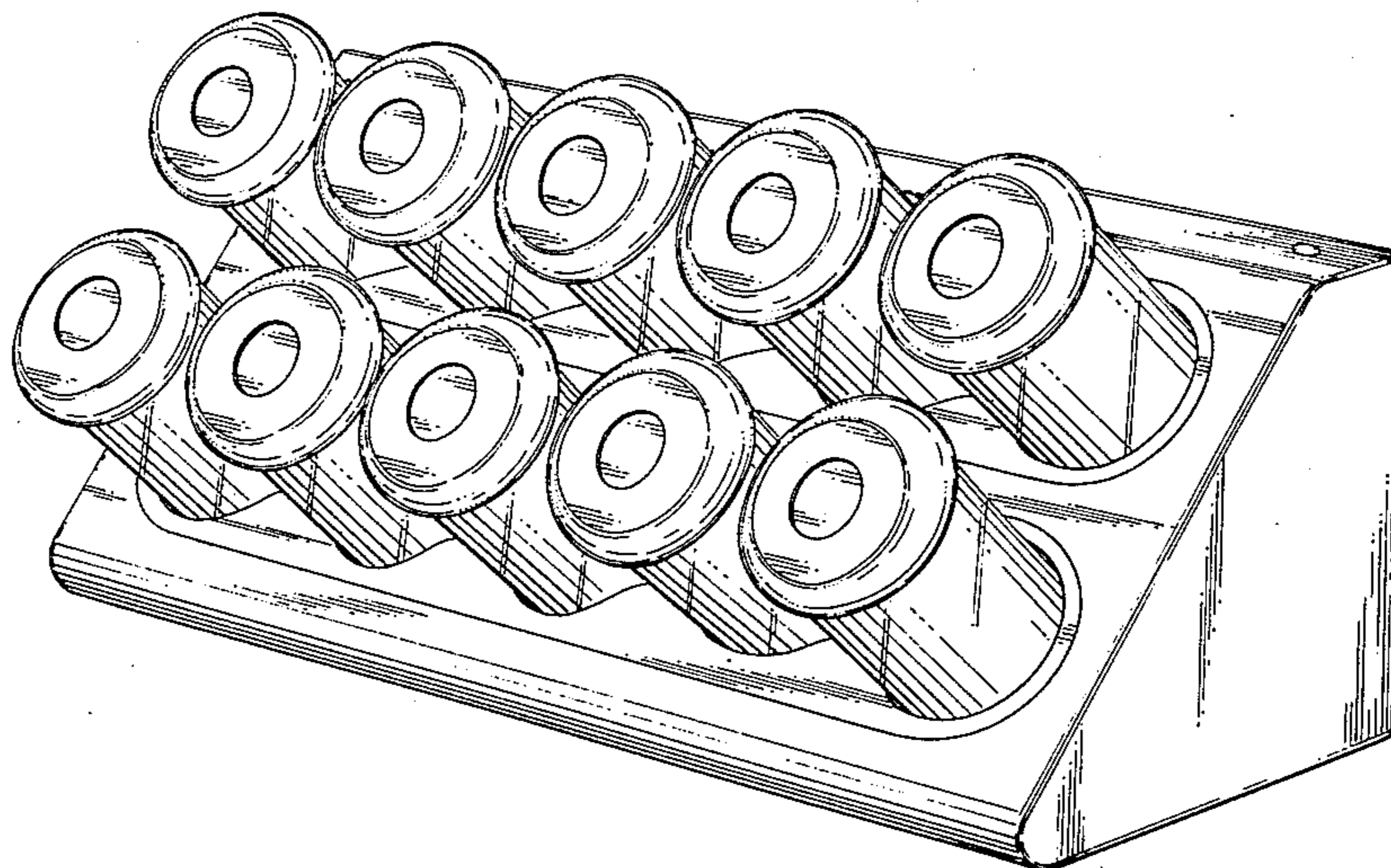
Primary Examiner—Wallace R. Burke
Assistant Examiner—Suzanne N. Gitlin
Attorney, Agent, or Firm—Cushman, Darby & Cushman

[57] CLAIM

The ornamental design for a combined set of jars and wall mounted holder, as shown and described.

DESCRIPTION

FIG. 1 is a top perspective view of a combined set of jars and wall mounted holder showing my new design; FIG. 2 is an enlarged front elevational view thereof; FIG. 3 is a reduced top plan view thereof; FIG. 4 is a reduced bottom plan view thereof; FIG. 5 is a reduced rear elevational view thereof; FIG. 6 is a reduced side elevational view taken from the left of FIG. 1; FIG. 7 is a reduced side elevational view taken from the right of FIG. 1.



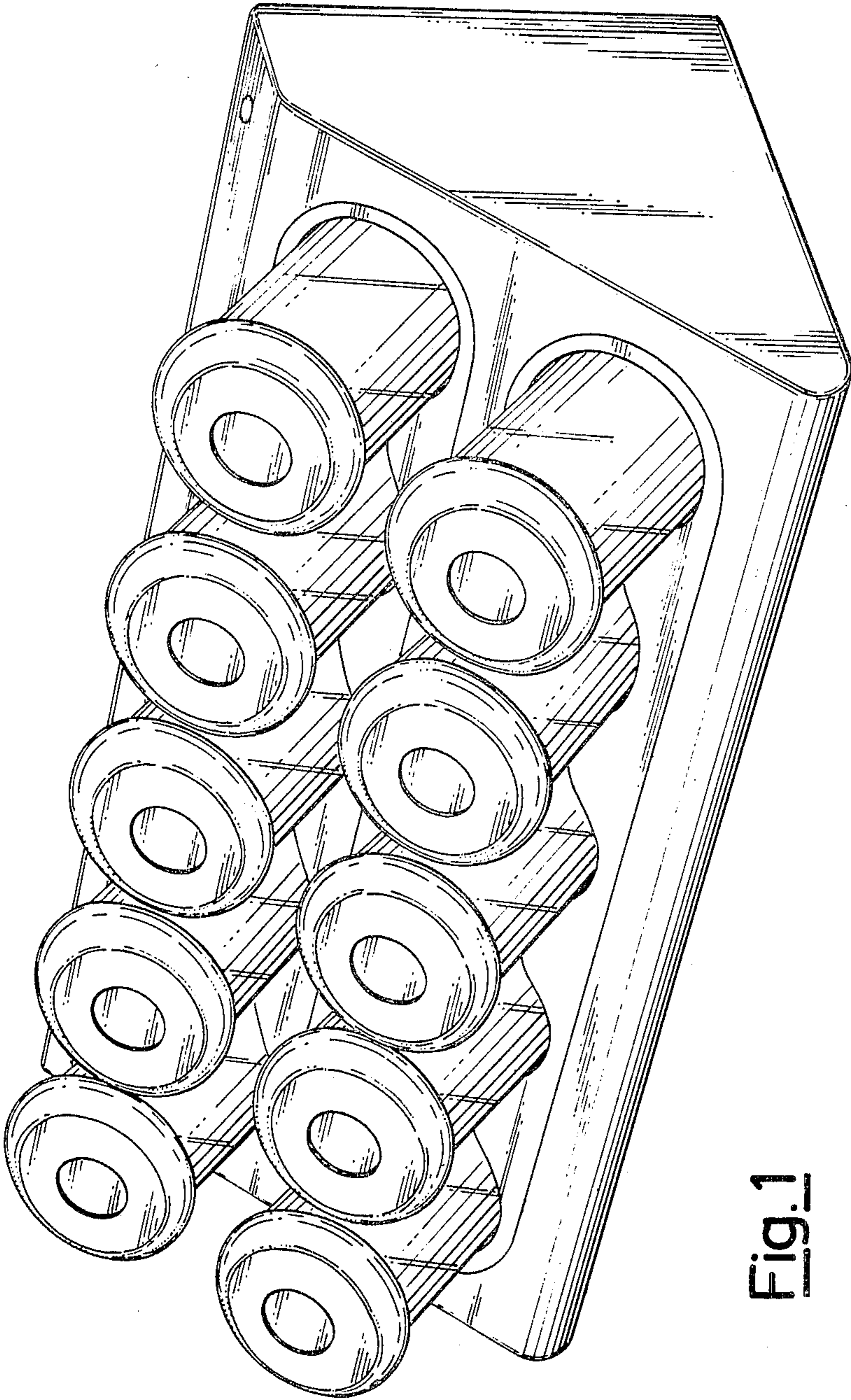


Fig. 1

Fig. 2

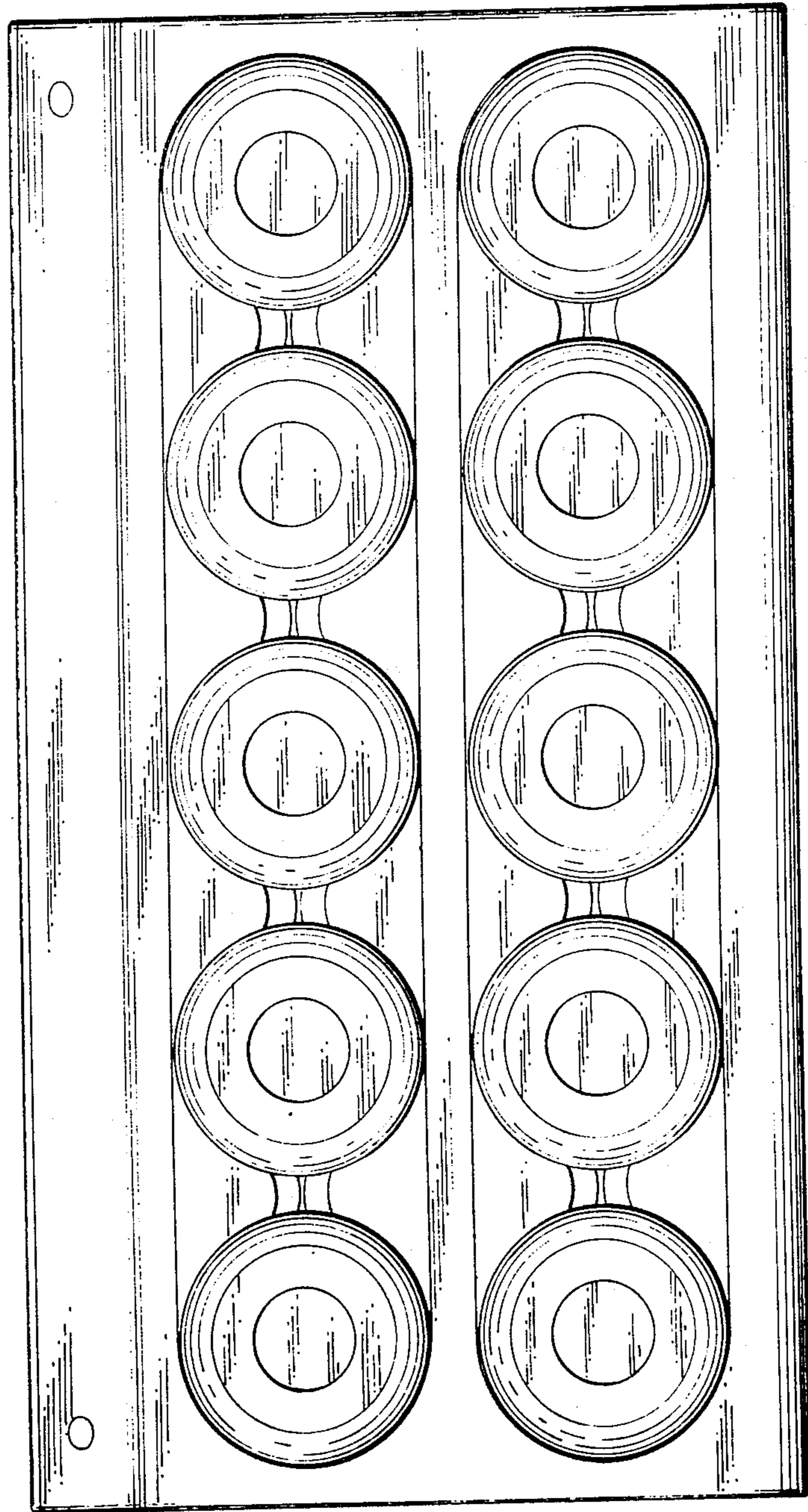


Fig. 3

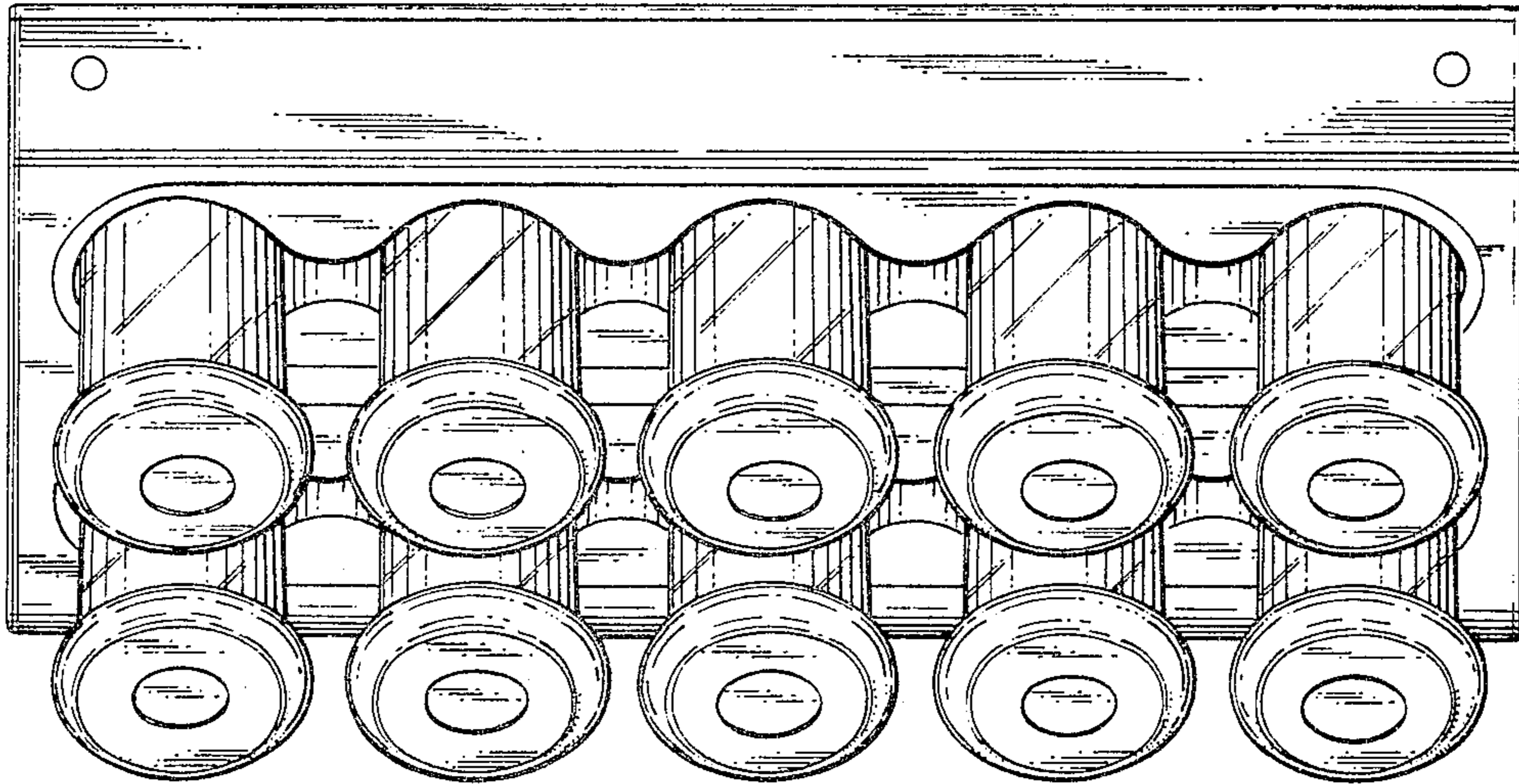
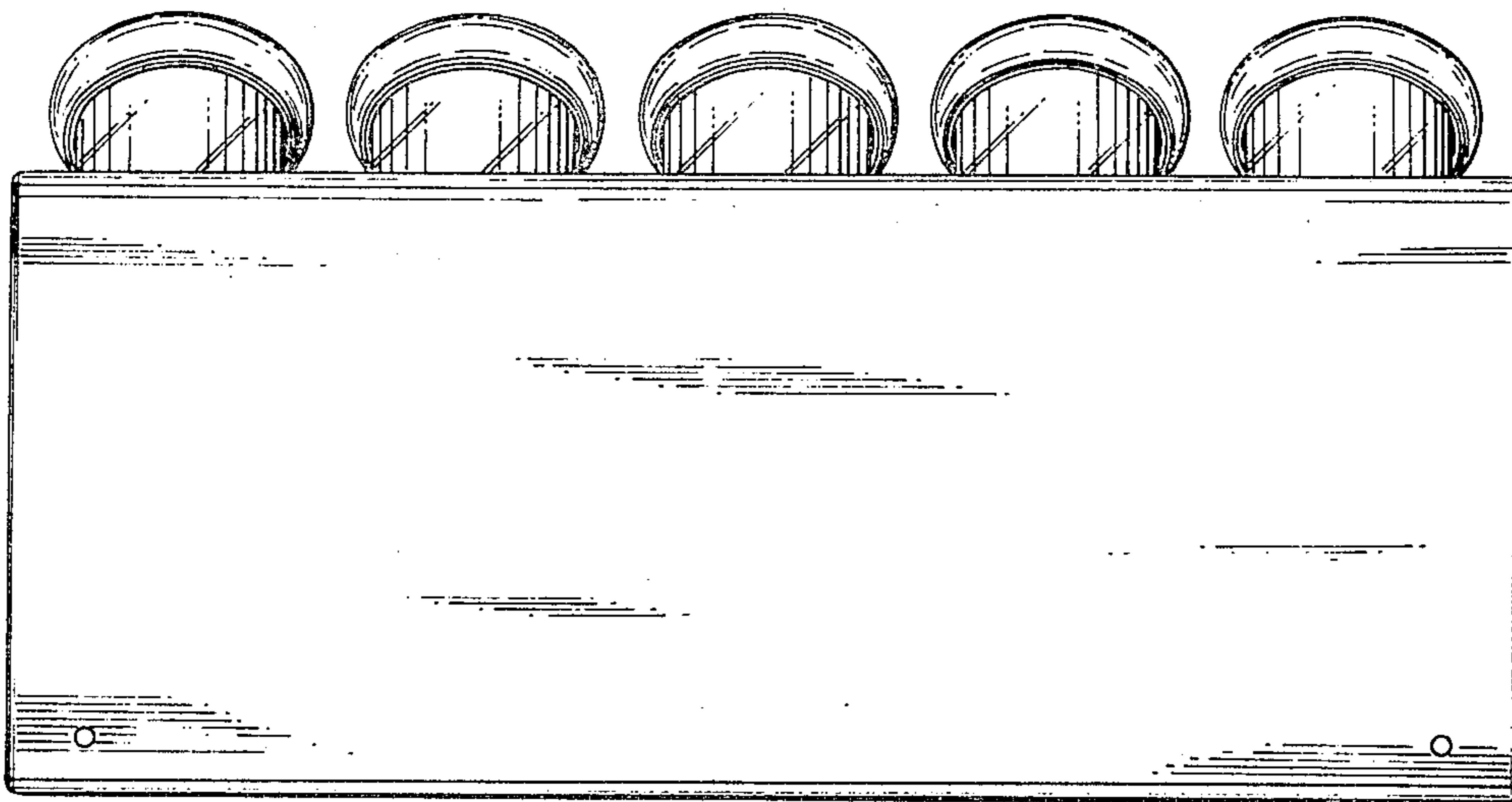


Fig. 4



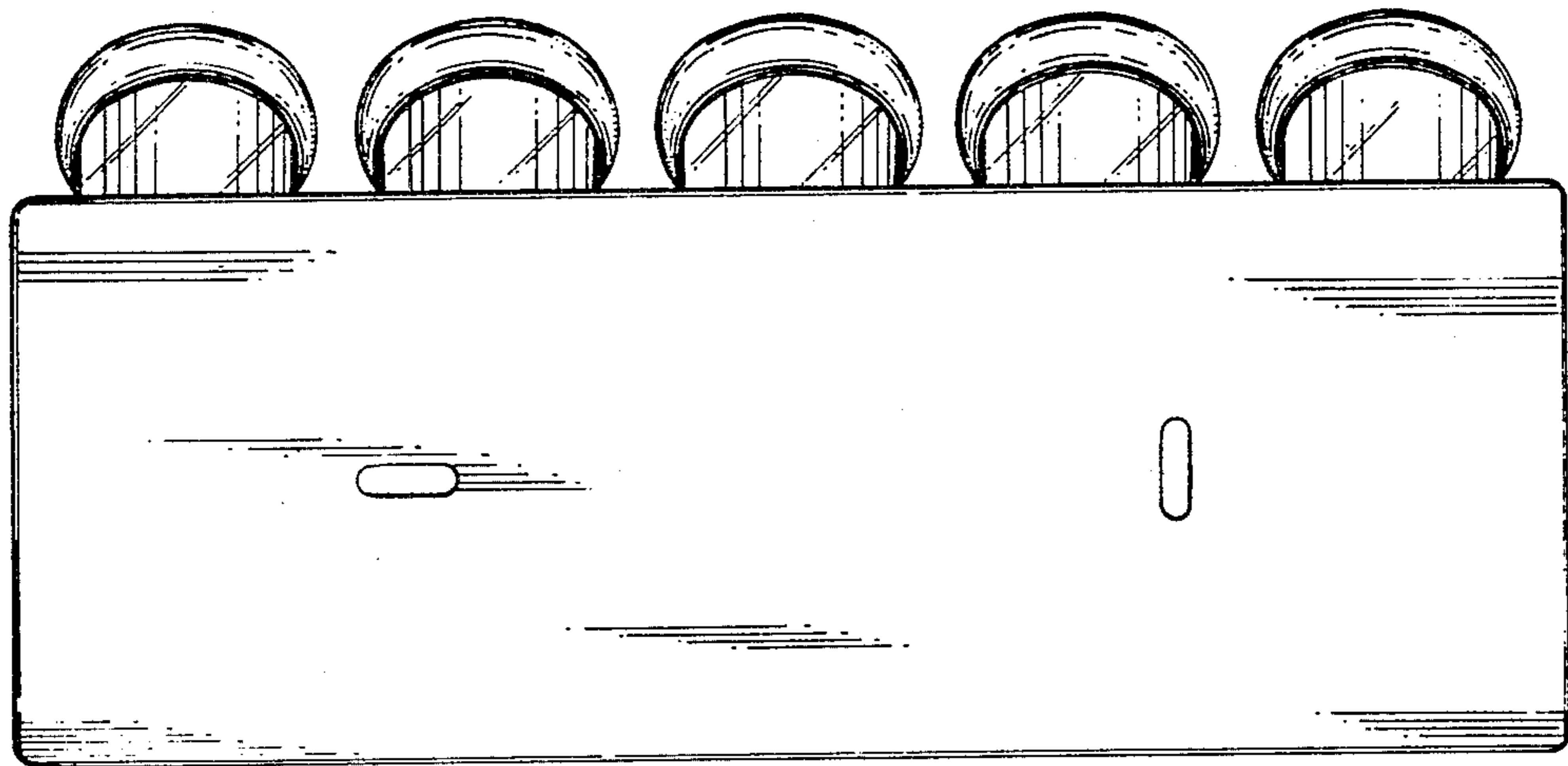


Fig. 5

Fig. 6

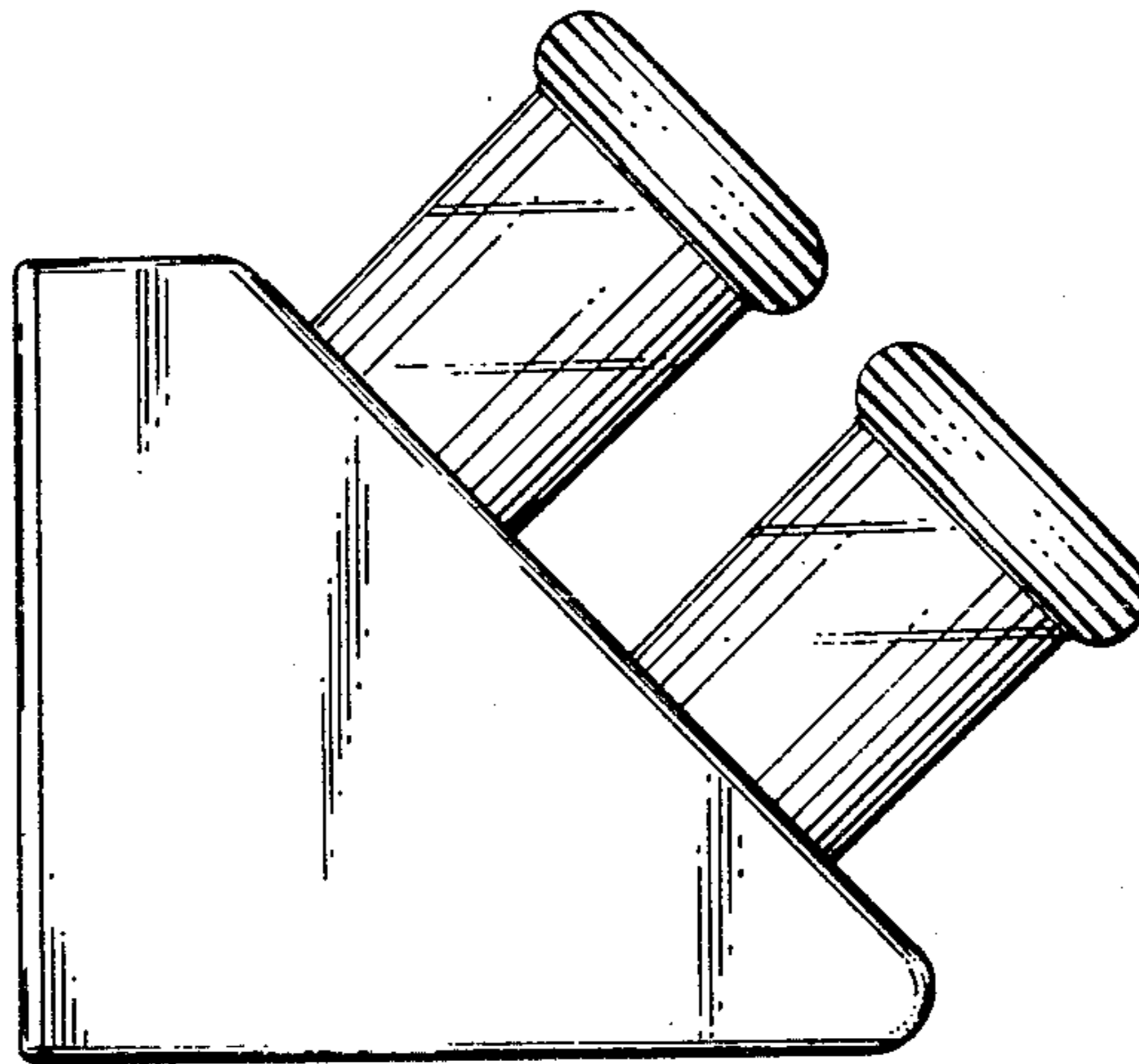


Fig. 7

