

[54] BUFFET OR THE LIKE

[75] Inventor: William Doezema, Grand Rapids, Mich.

[73] Assignee: Baker, Knapp & Tubbs Inc., Chicago, Ill.

[\*\*] Term: 14 Years

[21] Appl. No.: 685,365

[22] Filed: Dec. 24, 1984

[52] U.S. Cl. .... D6/446

[58] Field of Search ..... D6/422-428, D6/432, 436, 445, 446, 447, 448; 312/114

[56] References Cited

U.S. PATENT DOCUMENTS

D. 63,021	9/1923	Berg	.....	D6/446
D. 64,388	4/1924	Arons	.....	D6/447
D. 64,391	4/1924	Arons	.....	D6/447
D. 64,392	4/1924	Arons	.....	D6/446

D. 77,312	12/1928	Dworkis	.....	D6/446
D. 78,454	5/1929	Dworkis	.....	D6/446
D. 281,038	10/1985	Thorpe	.....	D6/445

OTHER PUBLICATIONS

*House Beautiful*, Oct. 1974, p. 120; Buffet top center on page.

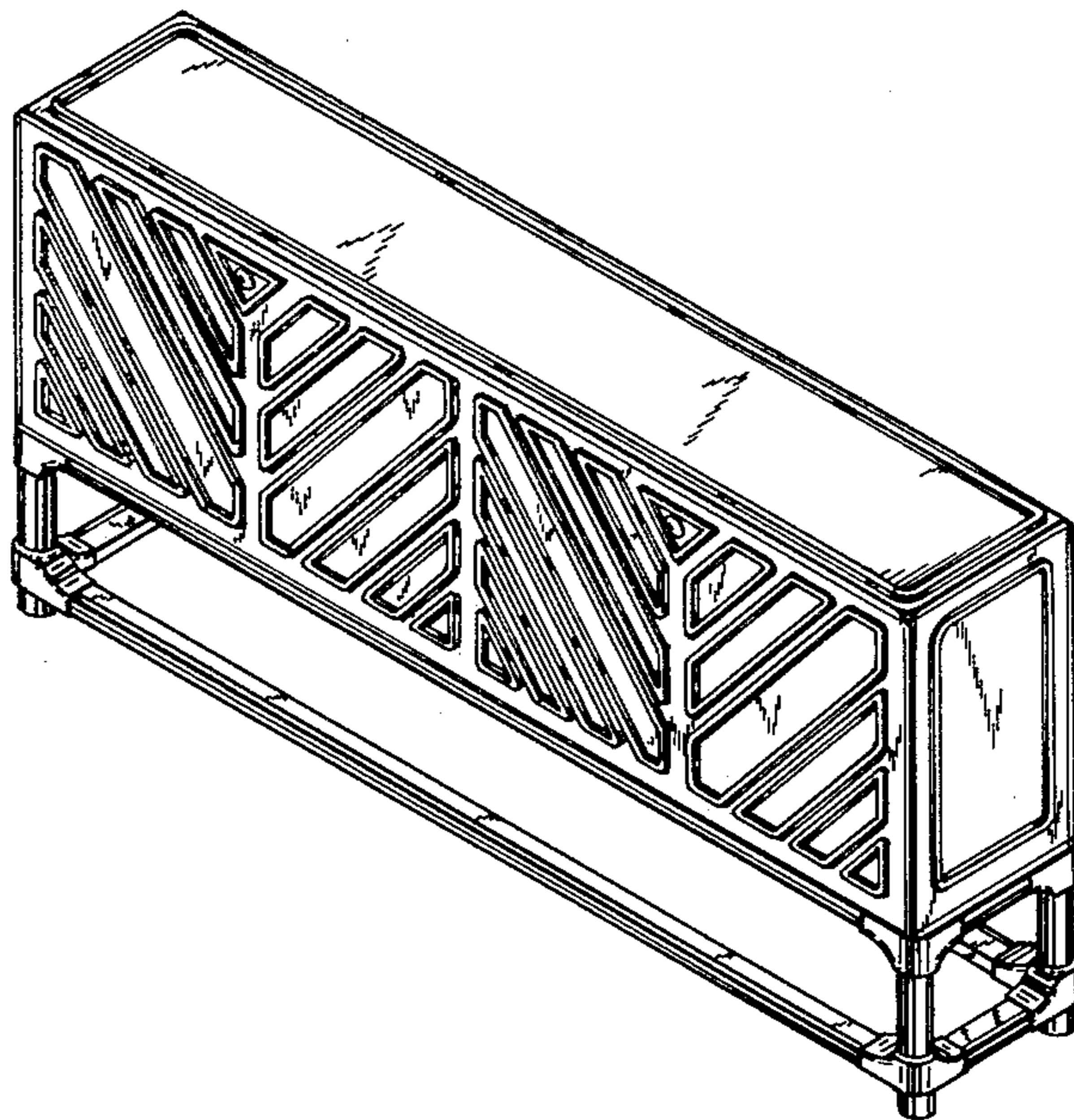
*Primary Examiner*—Carmen H. Vales  
*Attorney, Agent, or Firm*—Thomas A. Briody; Jack Oisher; William J. Streeter

[57] CLAIM

The ornamental design for a buffet or the like, as shown and described.

DESCRIPTION

FIG. 1 is a front, top and right-side perspective view of a buffet or the like showing my new design, the left side being identical to the right-side;  
FIG. 2 is a rear elevational view thereof; and  
FIG. 3 is a bottom plan view thereof.



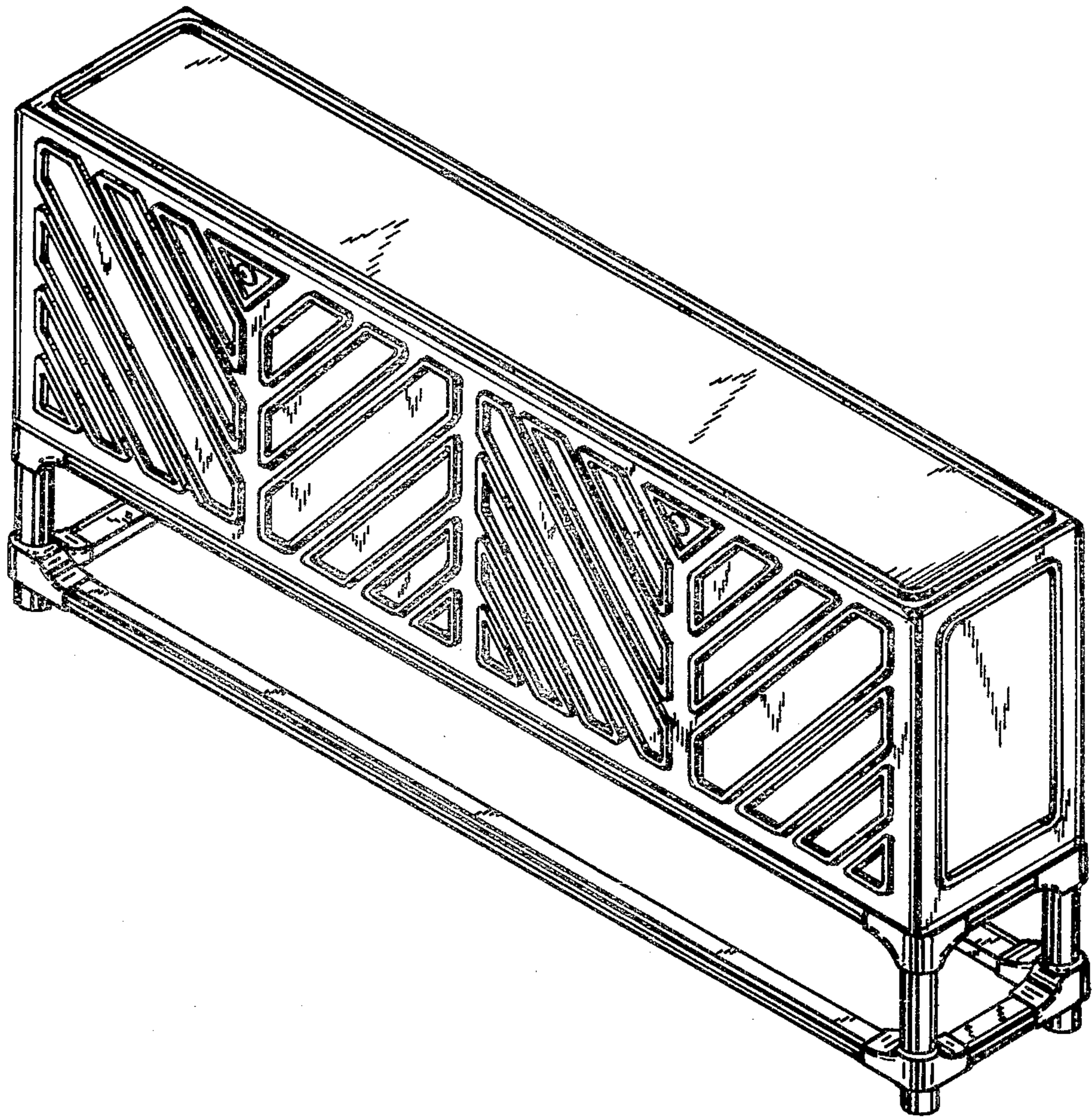


FIG. 1

FIG.2

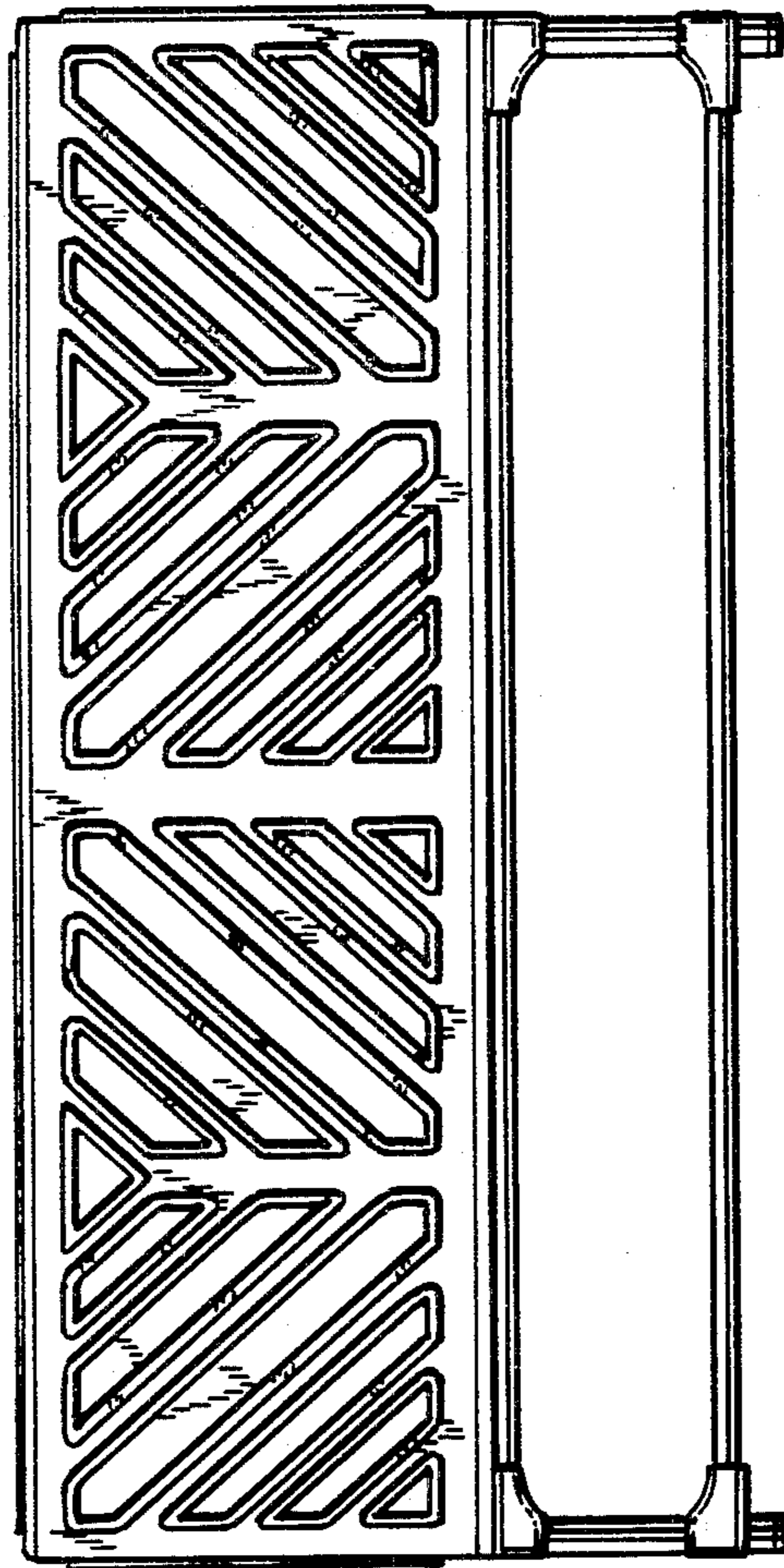


FIG.3

