

[54] BASE CABINET

[76] Inventor: Peter J. Gualtieri, 117 Calumet Dr., Syracuse, N.Y. 13219

[**] Term: 14 Years

[21] Appl. No.: 583,147

[22] Filed: Feb. 22, 1984

[52] U.S. Cl. D6/432; D6/447

[58] Field of Search D6/432, 436, 445, 449, D6/448, 446, 447; D24/4; 312/12, 15, 6, 209; 433/33, 77, 79, 98

[56] References Cited

U.S. PATENT DOCUMENTS

- D. 141,015 4/1945 Stanitz D6/447
- D. 155,558 10/1949 Sundberg et al. D6/447 X
- D. 170,839 11/1953 Trout et al. D6/447
- 4,055,372 10/1977 Tozawa et al. 312/15

OTHER PUBLICATIONS

"American Modular Dental Cabinets" by Hamilton ©1966, p. 10, Cabinet #14D47 third from left.

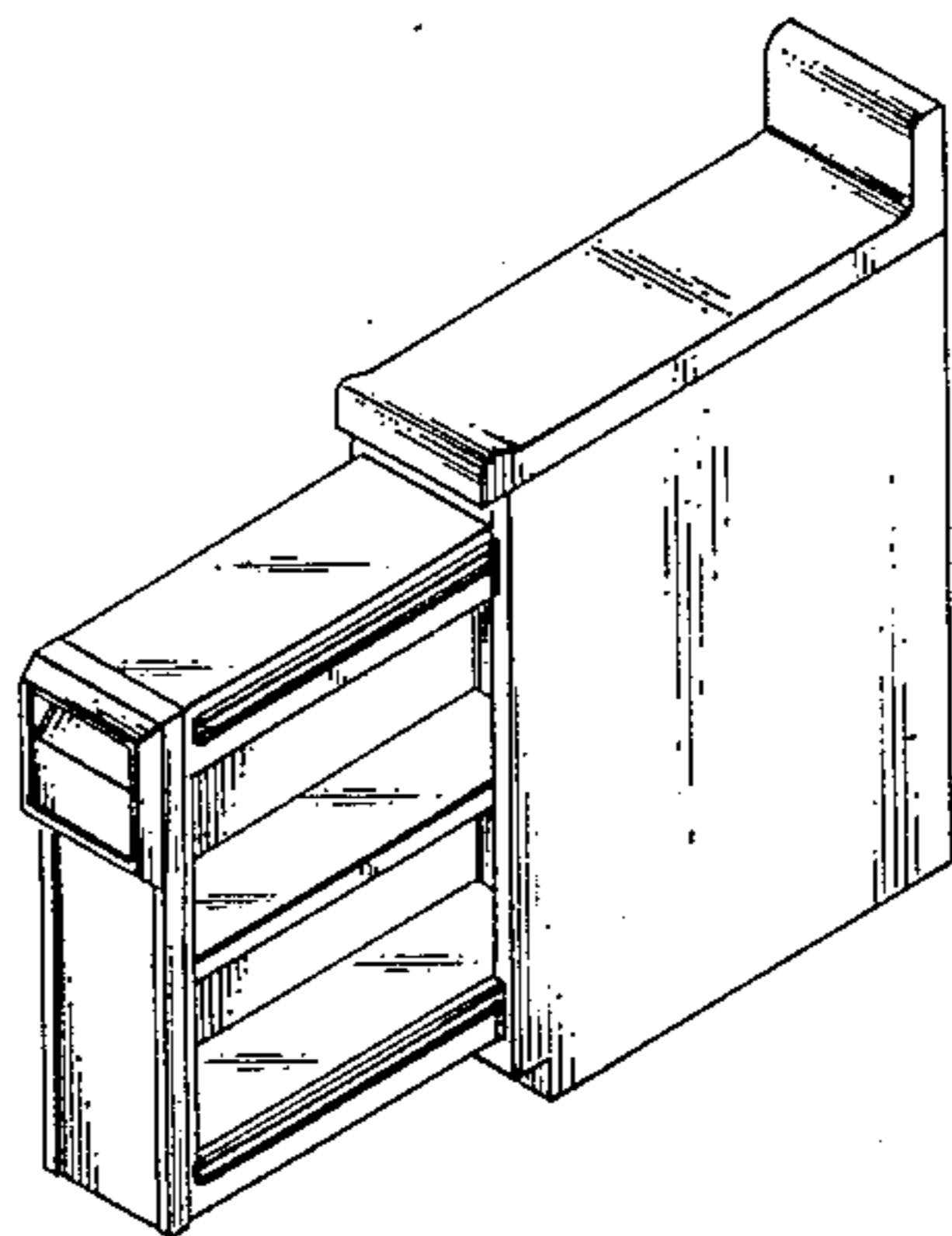
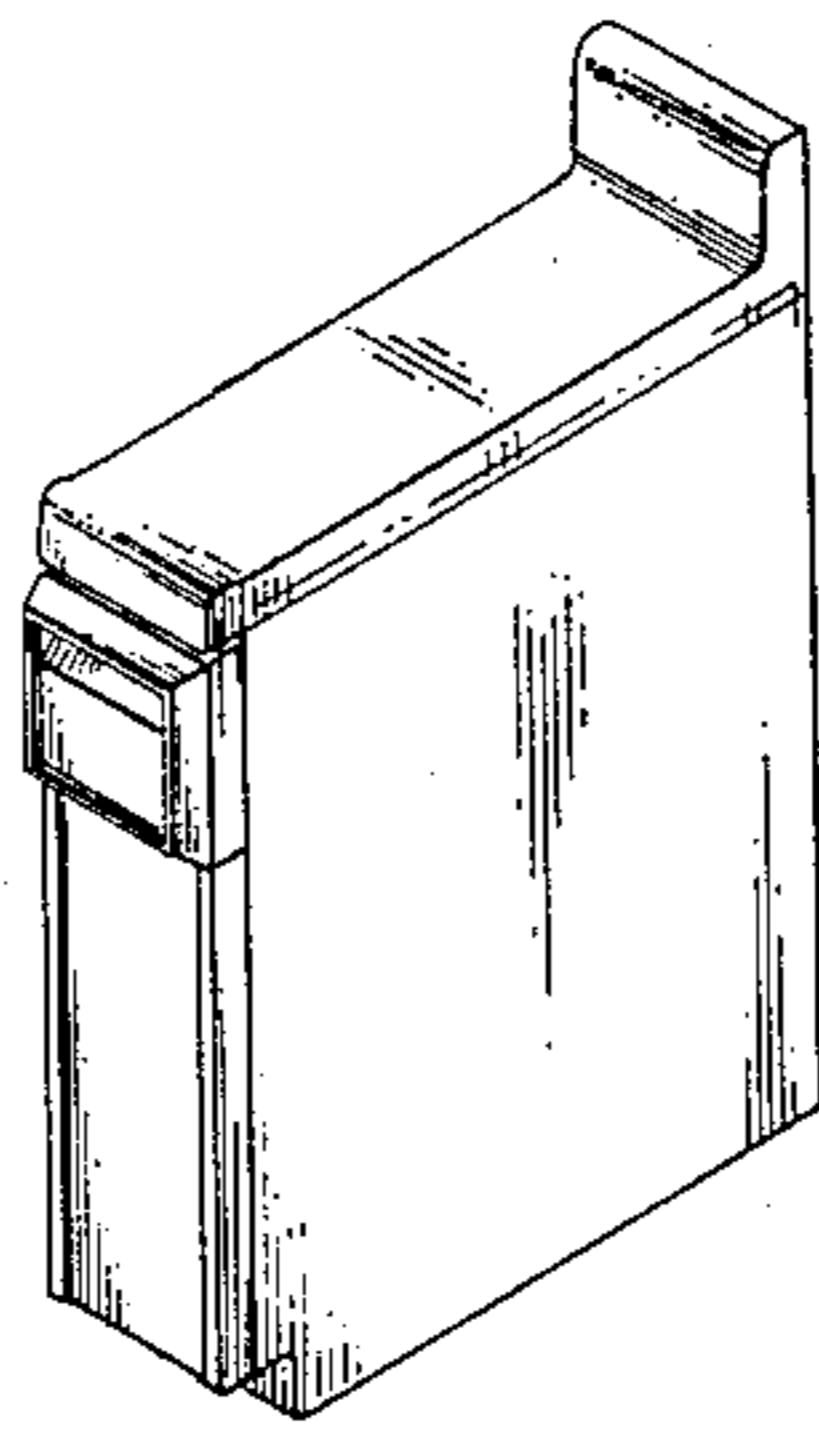
Primary Examiner—Carmen H. Vales
Attorney, Agent, or Firm—Charles S. McGuire

[57] CLAIM

The ornamental design for a base cabinet, as shown and described.

DESCRIPTION

FIG. 1 is a perspective view of the base cabinet showing my new design;
FIG. 2 is a perspective view in open position;
FIG. 3 is a front elevational view thereof;
FIG. 4 is a side elevational view;
FIG. 5 is a rear elevational view;
FIG. 6 is a top plan view thereof; and
FIG. 7 is a bottom plan view thereof.



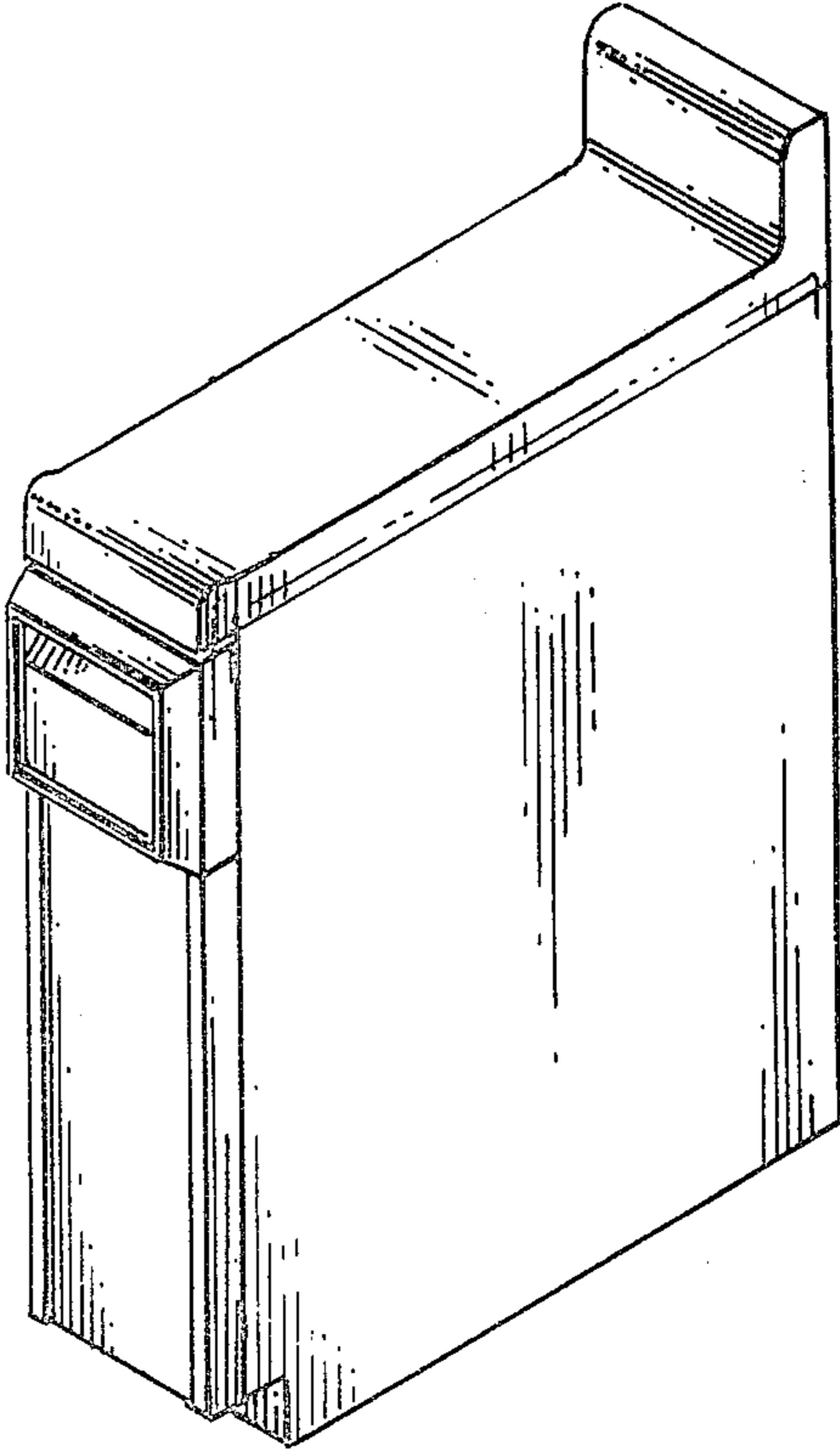


FIG. 1

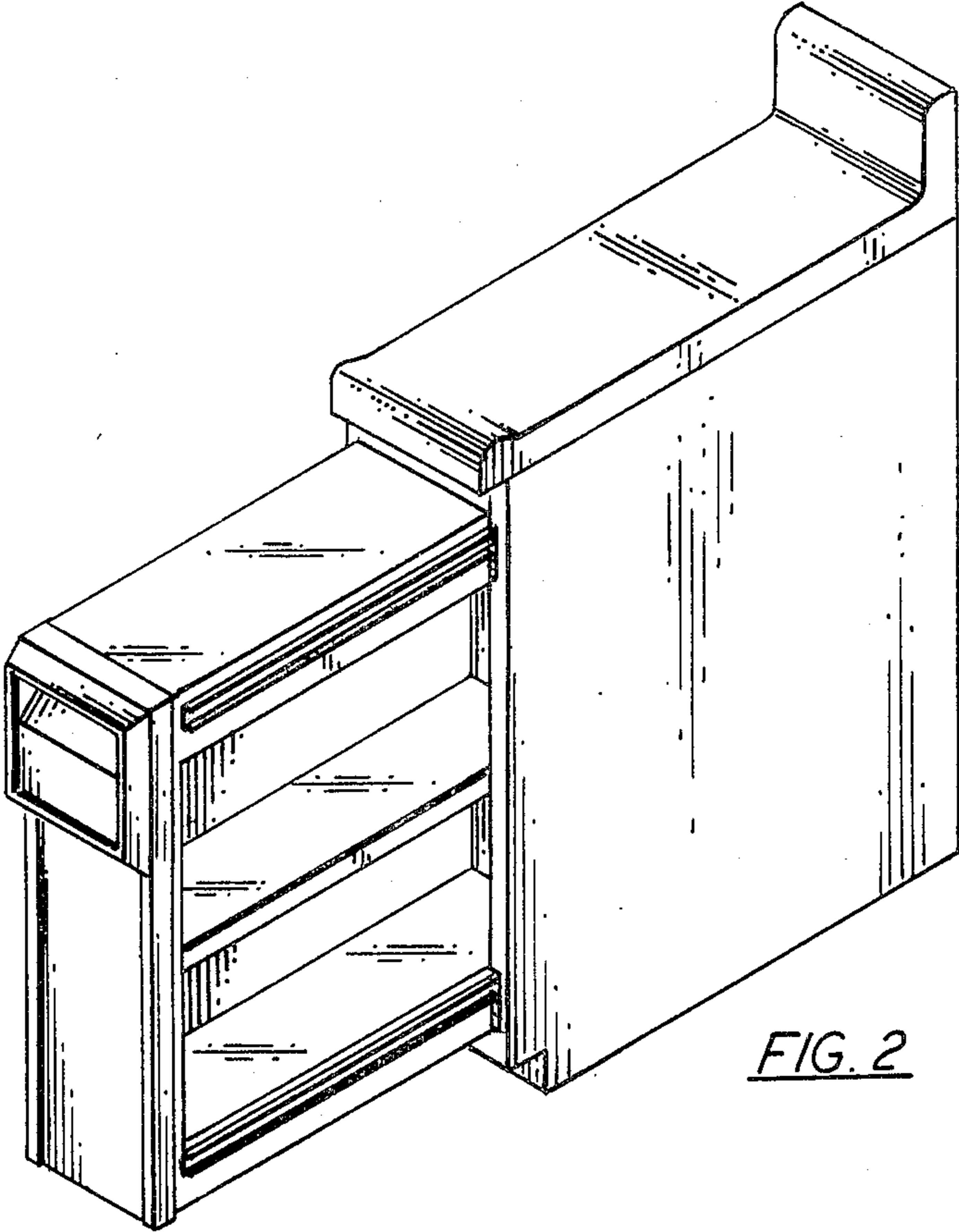


FIG. 2



FIG. 6

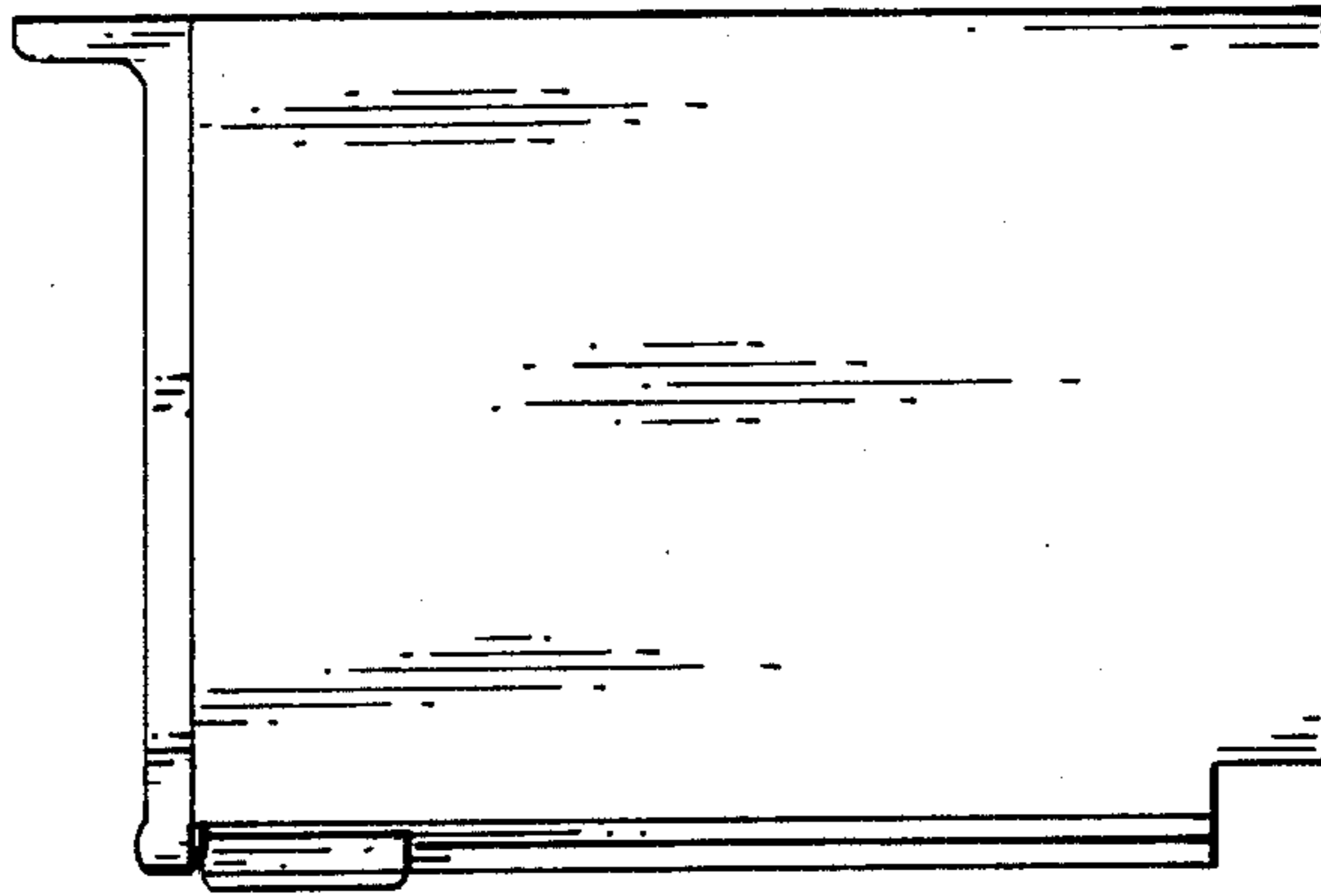


FIG. 4

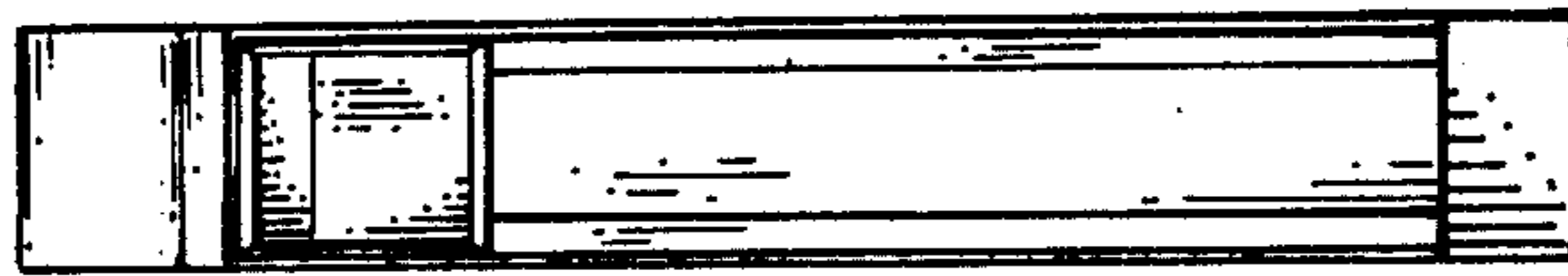


FIG. 3

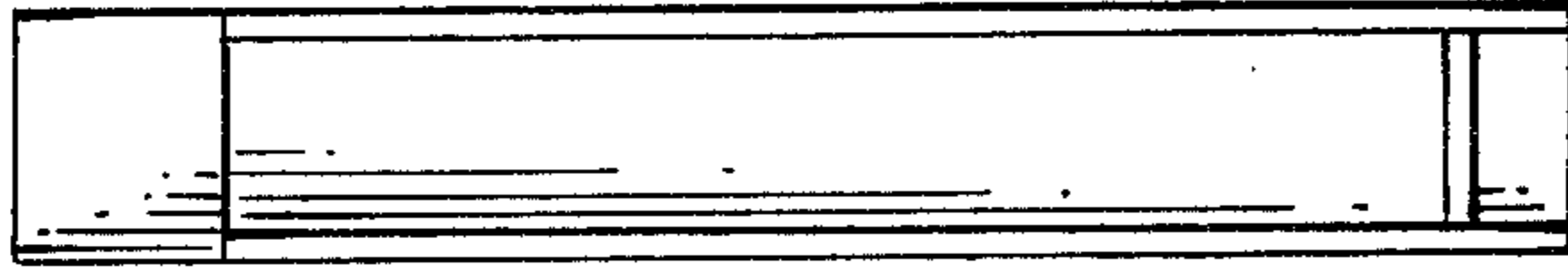


FIG. 5

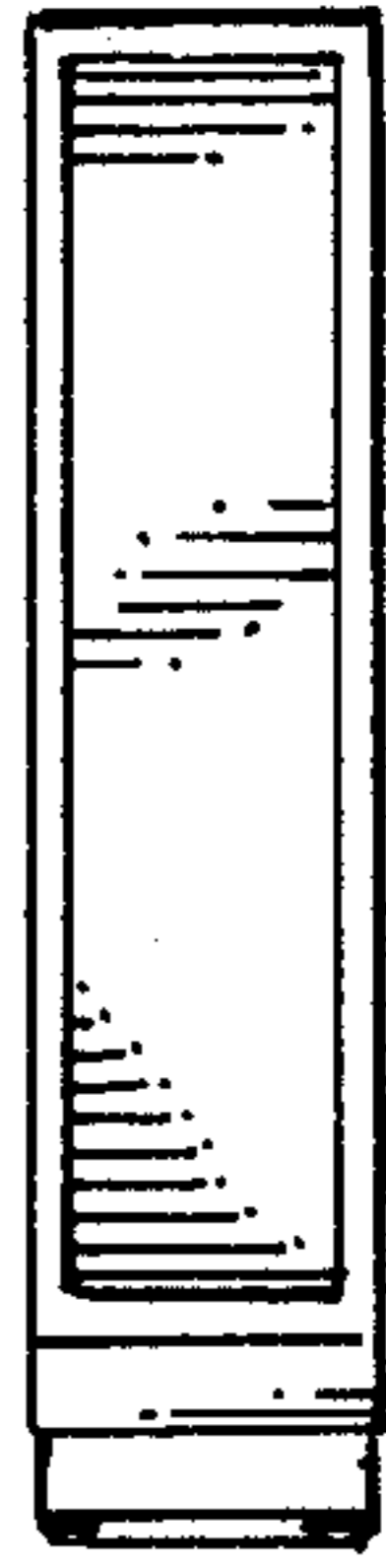


FIG. 7