

[54] BUD VASE HOLDER

[76] Inventor: Joseph Johnson, 13 Lymon St., New Britain, Conn. 06053

[\*\*] Term: 14 Years

[21] Appl. No.: 548,617

[22] Filed: Nov. 4, 1983

[52] U.S. Cl. .... D6/403; D11/146; D11/164

[58] Field of Search ..... D6/397, 403-405; D11/143, 146, 152; 47/41 R; 248/127, 146, 158, 176; 211/88

[56] References Cited

U.S. PATENT DOCUMENTS

D. 156,471	12/1949	Winchester	.....	D11/146
D. 247,338	2/1978	Wagschal	.....	D11/146
D. 248,714	8/1978	Deahick	.....	D6/405
D. 273,258	4/1984	Richmond	.....	D11/146
2,624,968	1/1953	Polizze	.....	D11/146
4,278,225	7/1981	Phelps	.....	211/88

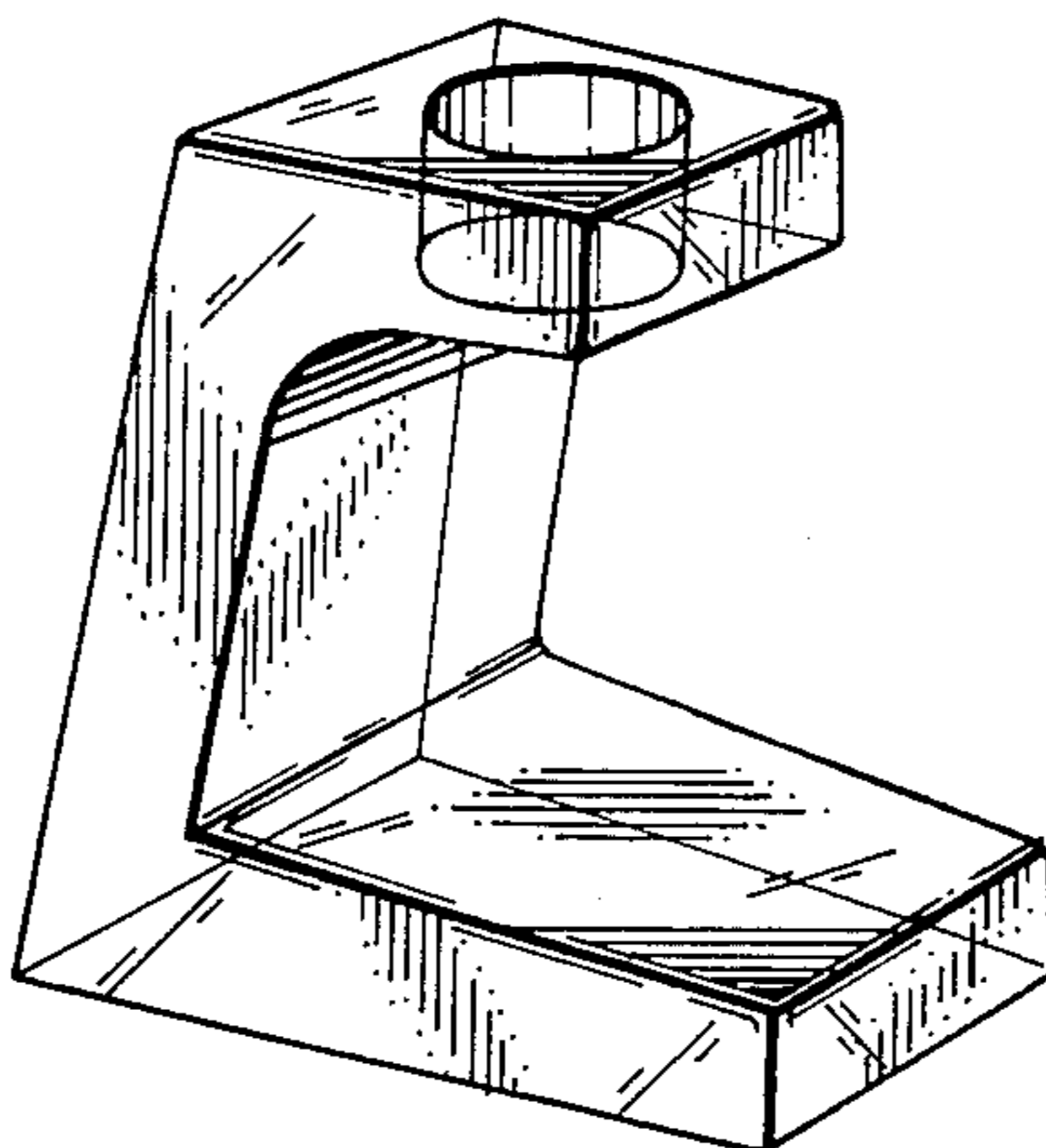
Primary Examiner—B. J. Bullock  
Assistant Examiner—Suzanne N. Gitlin

[57] CLAIM

The ornamental design for a bud vase holder, as shown and described.

DESCRIPTION

FIG. 1 is a perspective view of a bud vase holder showing my new design;  
 FIG. 2 is an enlarged front elevational view thereof;  
 FIG. 3 is an enlarged side elevational view taken from the left of FIG. 1, the right side being a mirror image, the bud vase shown in broken lines is for illustrative purposes only;  
 FIG. 4 is an enlarged top plan view thereof;  
 FIG. 5 is an enlarged bottom plan view thereof;  
 FIG. 6 is an enlarged rear elevational view thereof;  
 FIG. 7 is a rear elevational view of a second embodiment of FIG. 1, the only difference being the recesses in the rear and bottom;  
 FIG. 8 is a bottom plan view of FIG. 7;  
 FIG. 9 is a rear and bottom perspective view of FIG. 7.



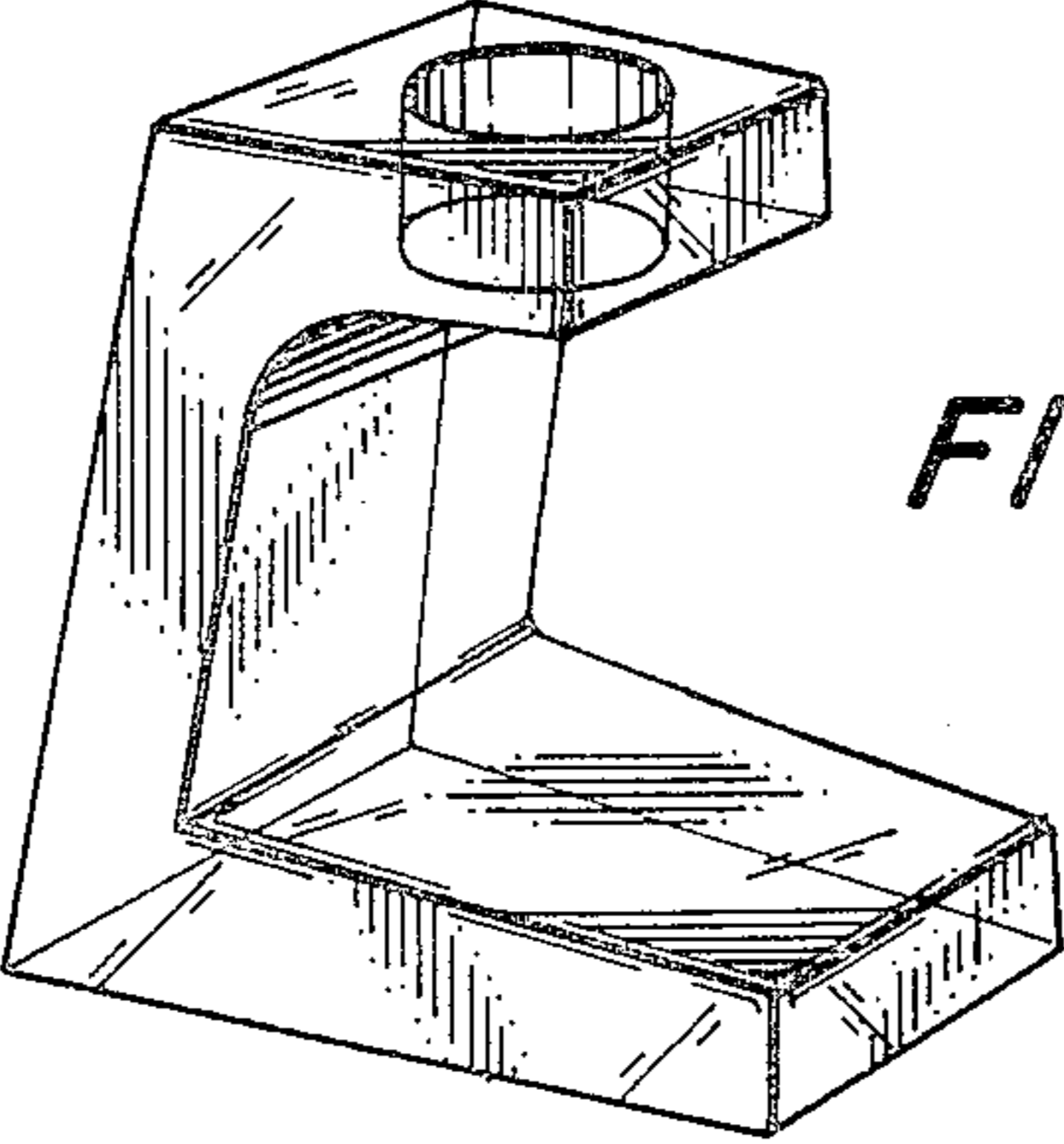


FIG. 1

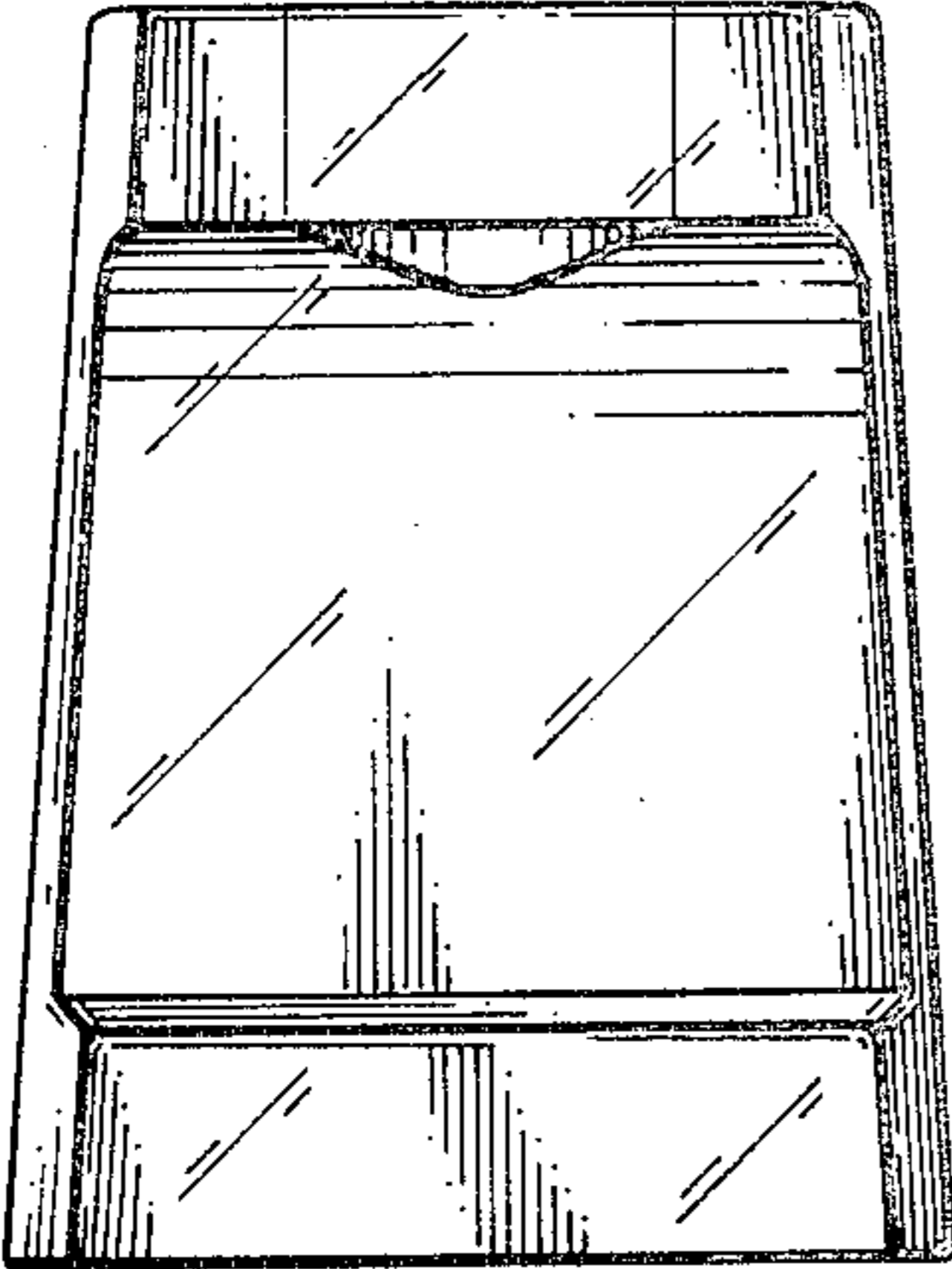


FIG. 2

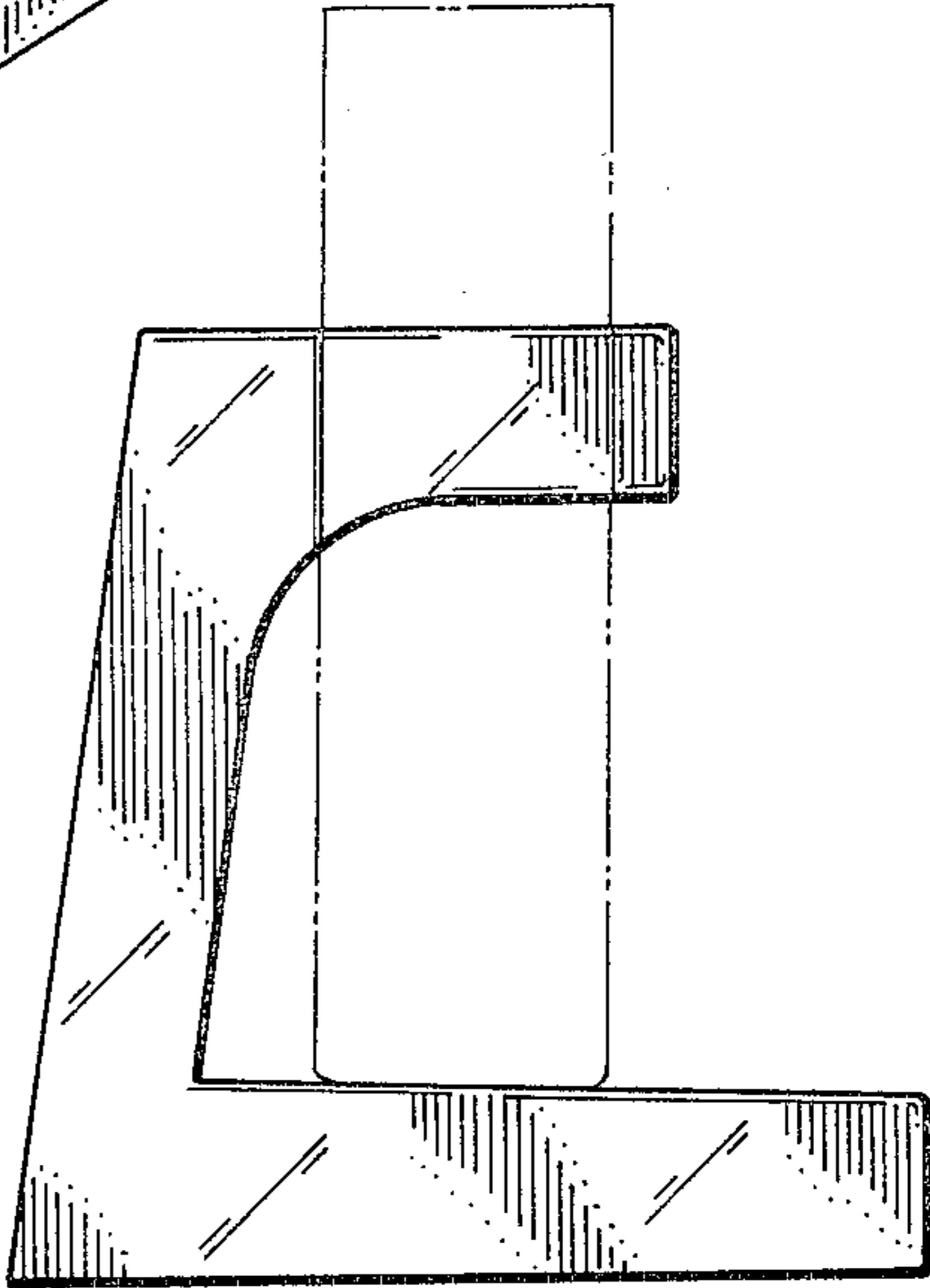


FIG. 3

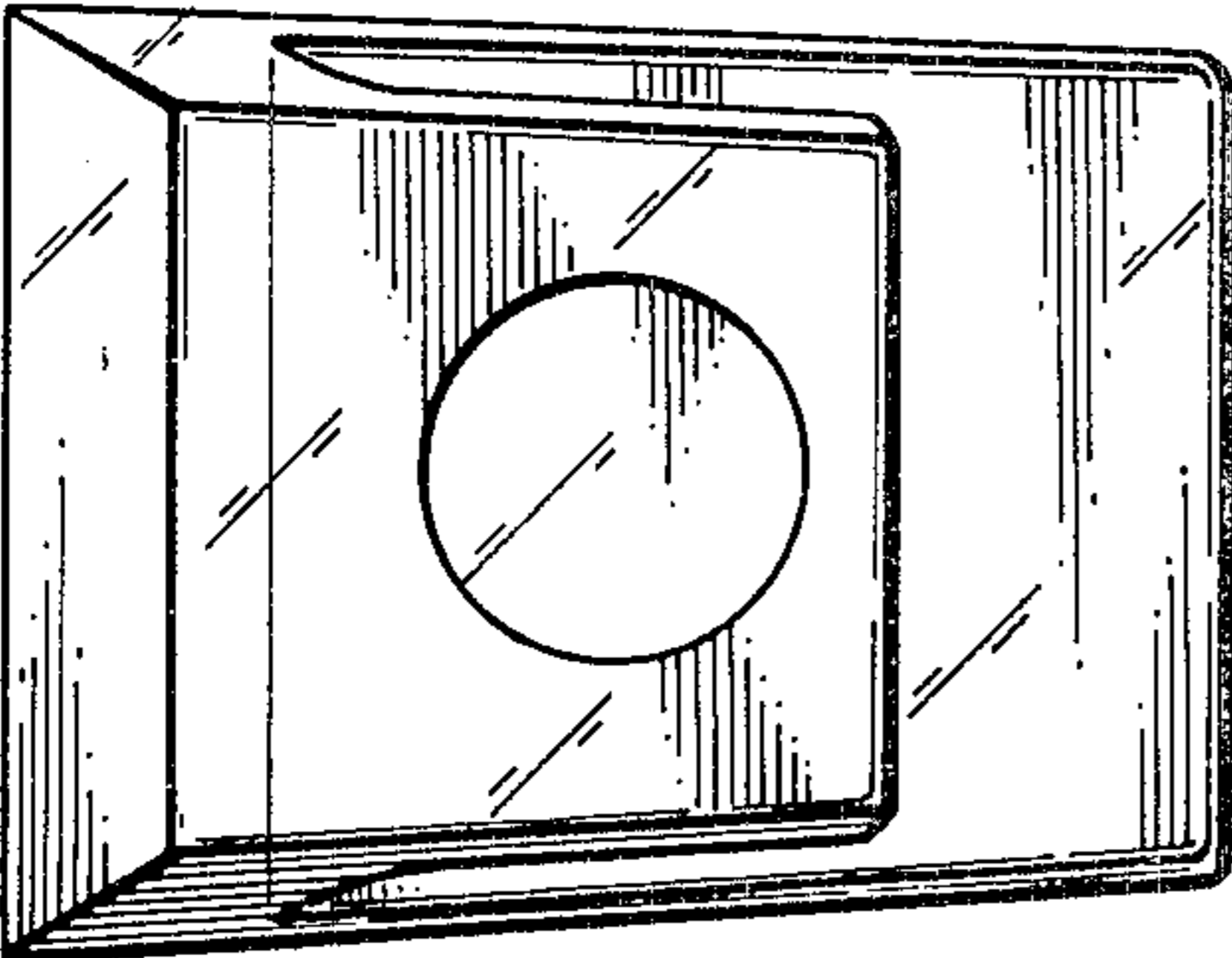


FIG. 4

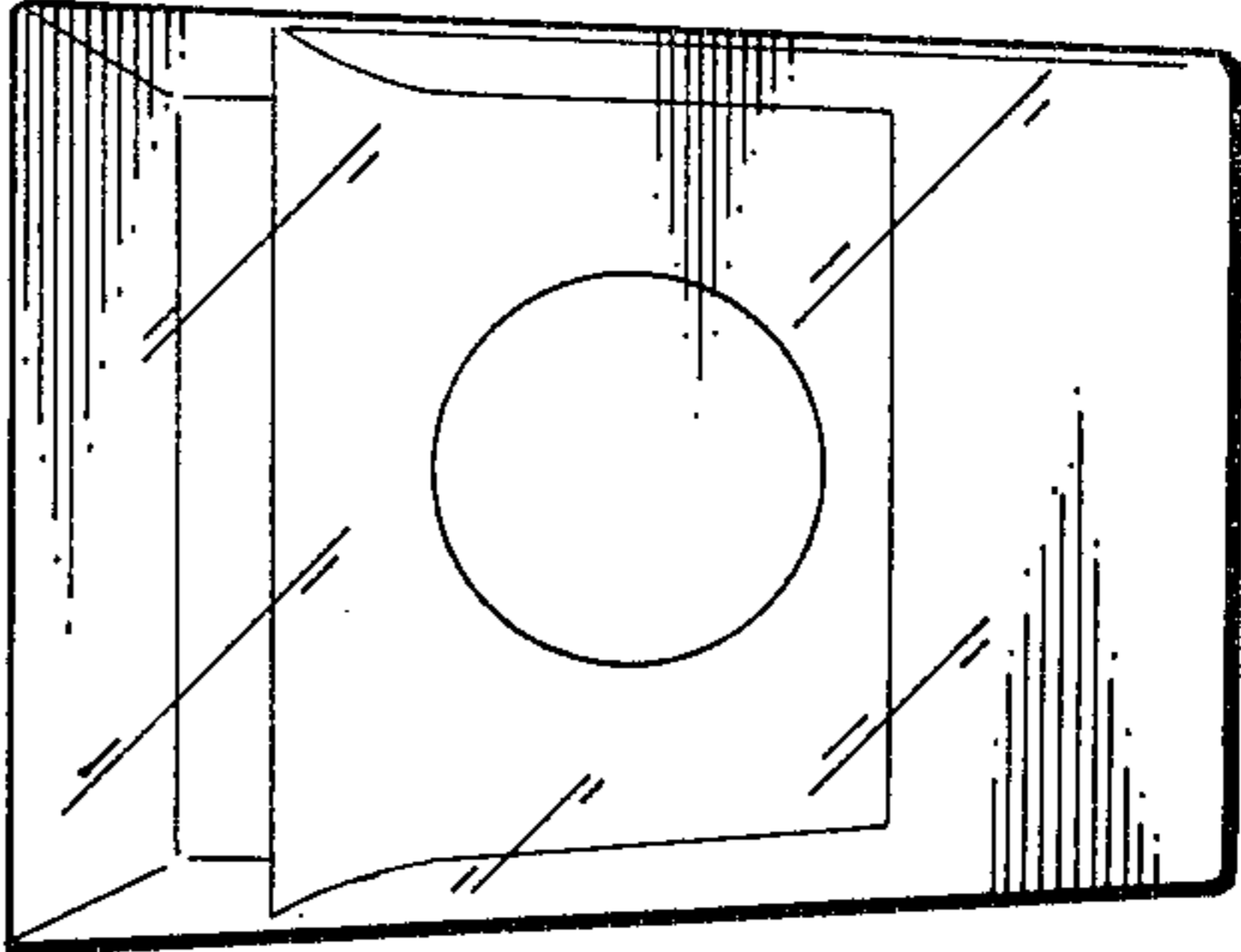


FIG. 5

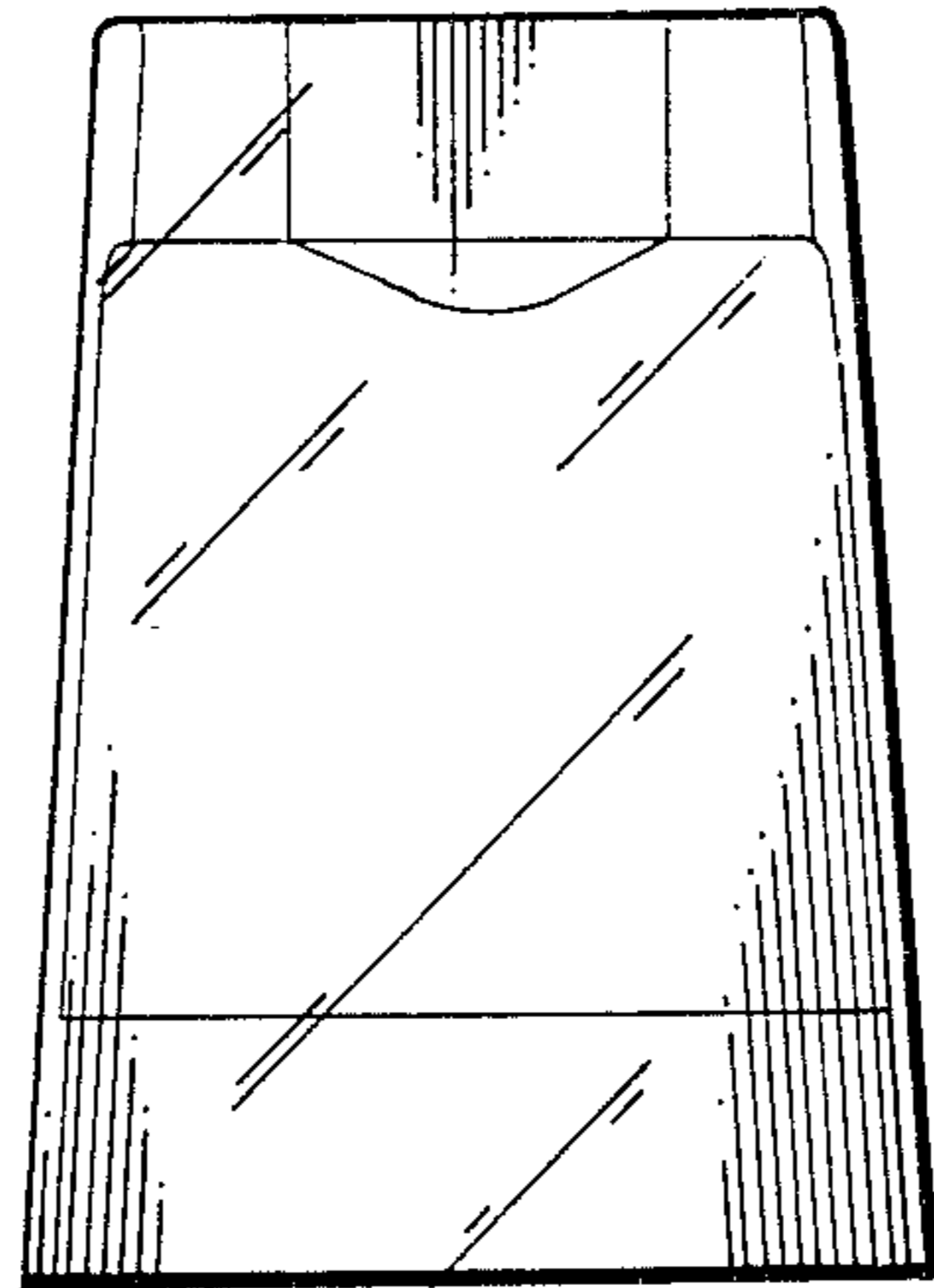


FIG. 6

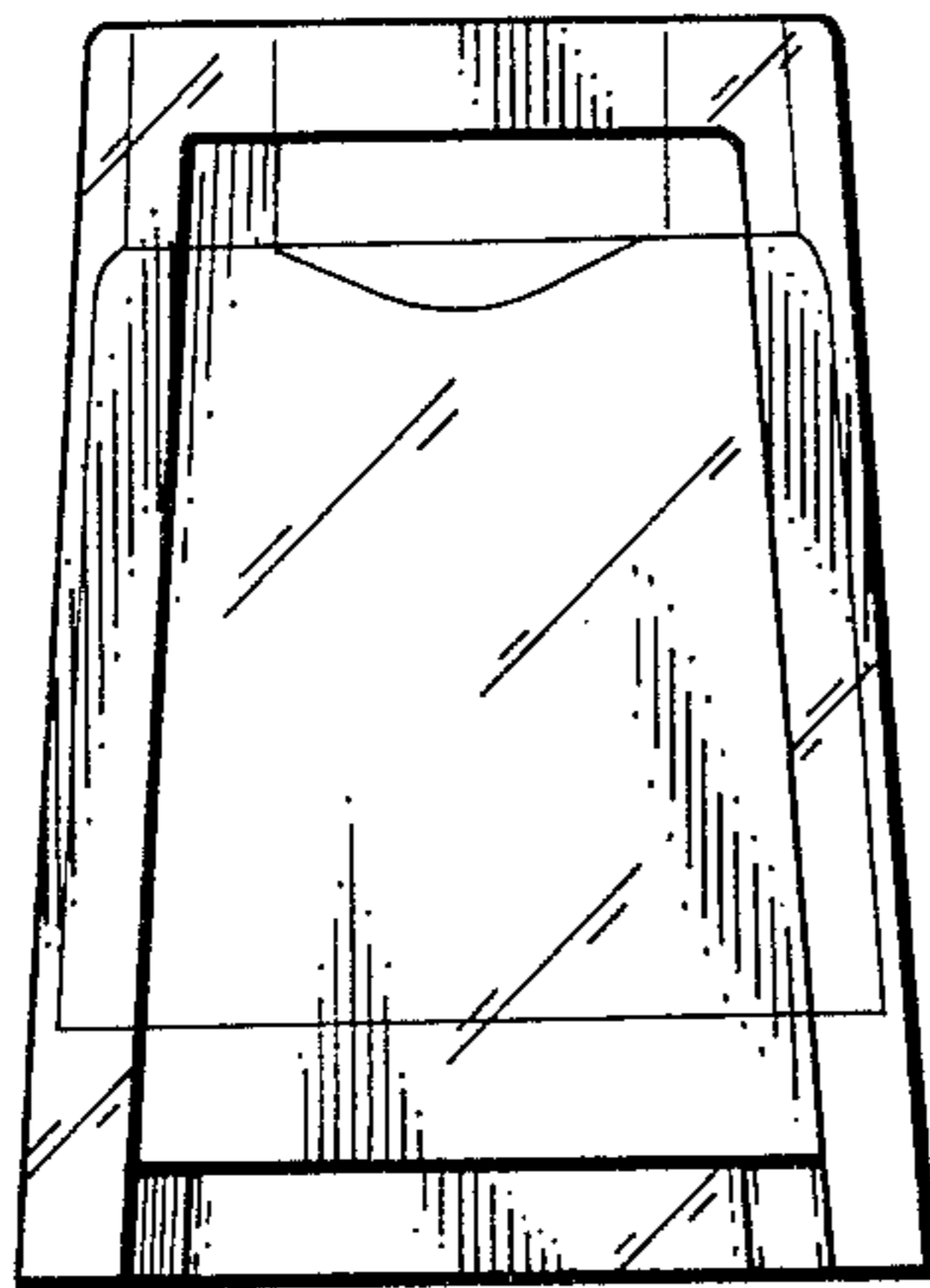


FIG. 7

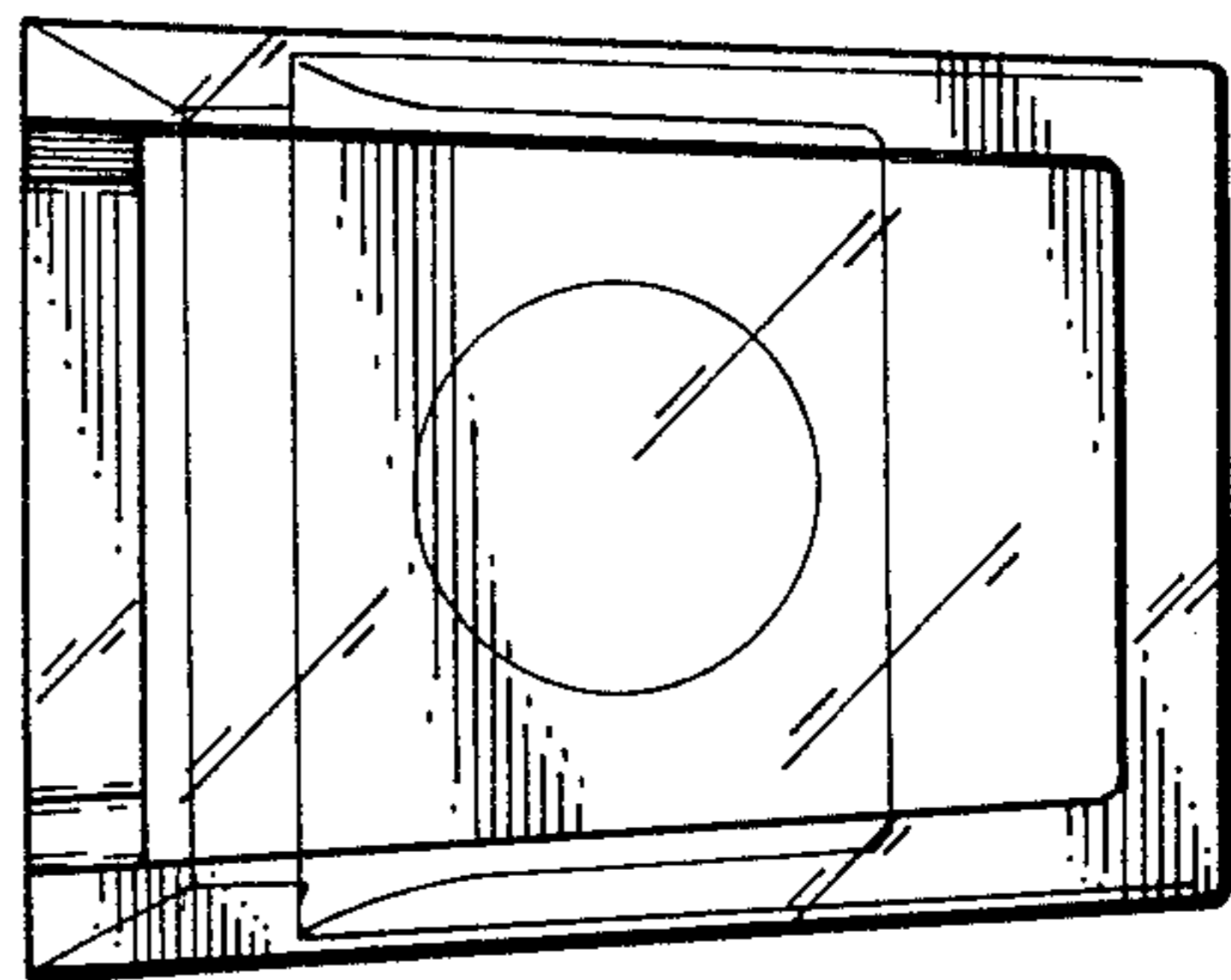


FIG. 8

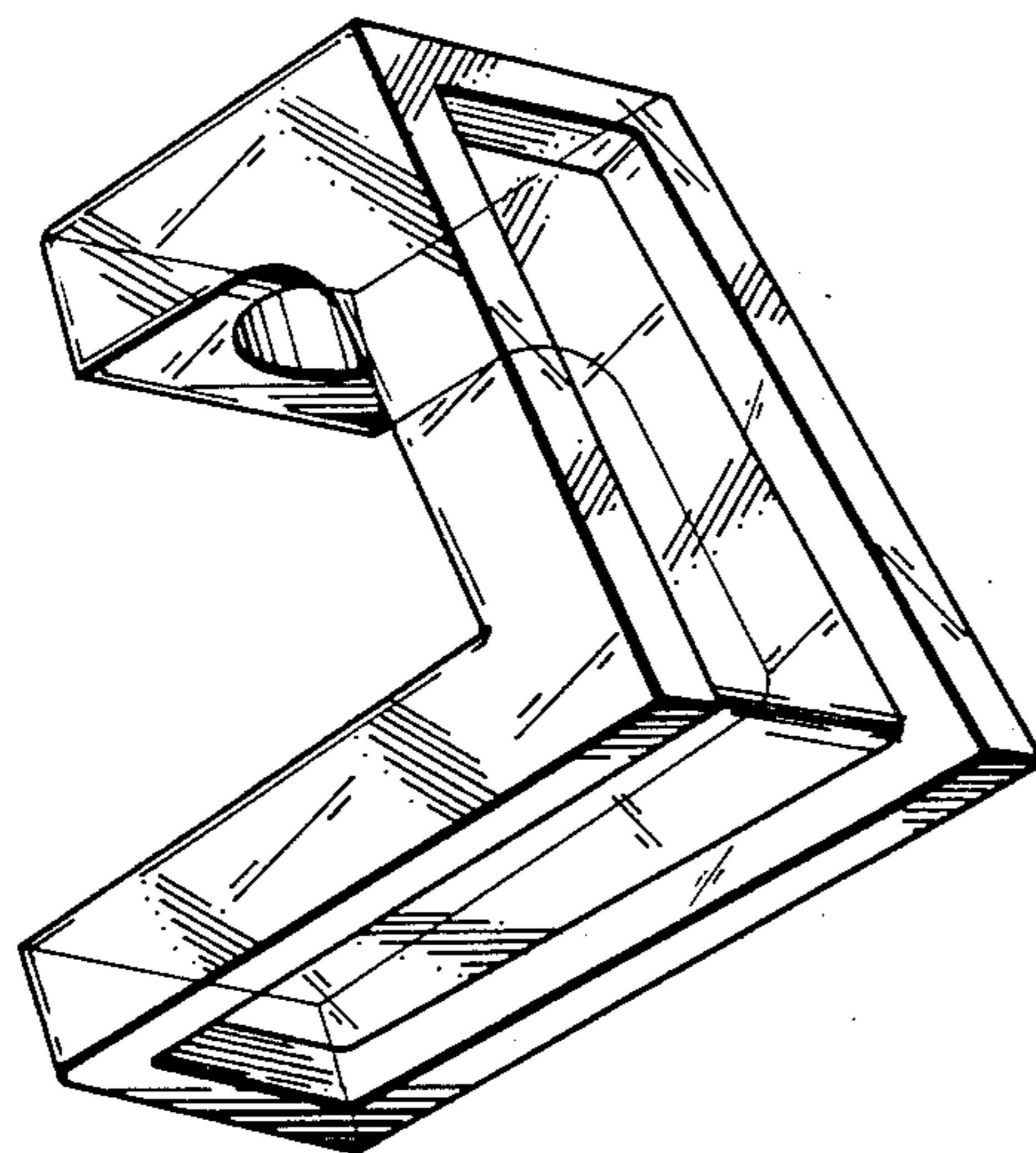


FIG. 9