

[54] COMBINED EDIBLE CONE AND ICE CREAM THEREFOR

[75] Inventors: Salvatore Saladino, Weston; Vicki M. Samson, Brampton, both of Canada

[73] Assignee: Newworld Ice Cream Corporation, Weston, Canada

[**] Term: 14 Years

[21] Appl. No.: 663,336

[22] Filed: Oct. 18, 1984

[30] Foreign Application Priority Data

Sep. 21, 1984 [CA] Canada 21-09-84-20

[52] U.S. Cl. D1/101; D1/118; D21/204

[58] Field of Search D1/118, 101, 116, 106, D1/104; D21/204, 205; 426/139, 138, 101, 104, 143

[56] References Cited

U.S. PATENT DOCUMENTS

D. 18,300	5/1888	Chase	D21/204 X
D. 77,625	1/1929	Shapiro	D1/118
D. 129,294	9/1941	Sherman	D1/118
D. 153,394	4/1949	Reineke, Jr.	D1/118
D. 258,832	4/1981	Meadows	D21/204
1,367,848	2/1921	Winnie	426/139
1,383,290	7/1921	Cressey	D1/106 X
1,938,113	12/1933	Schoenfeld	426/139

Primary Examiner—Bernard Ansher
Assistant Examiner—Linda Titolo
Attorney, Agent, or Firm—Sim & McBurney

[57] CLAIM

The ornamental design for a combined edible cone and ice cream therefor, as shown.

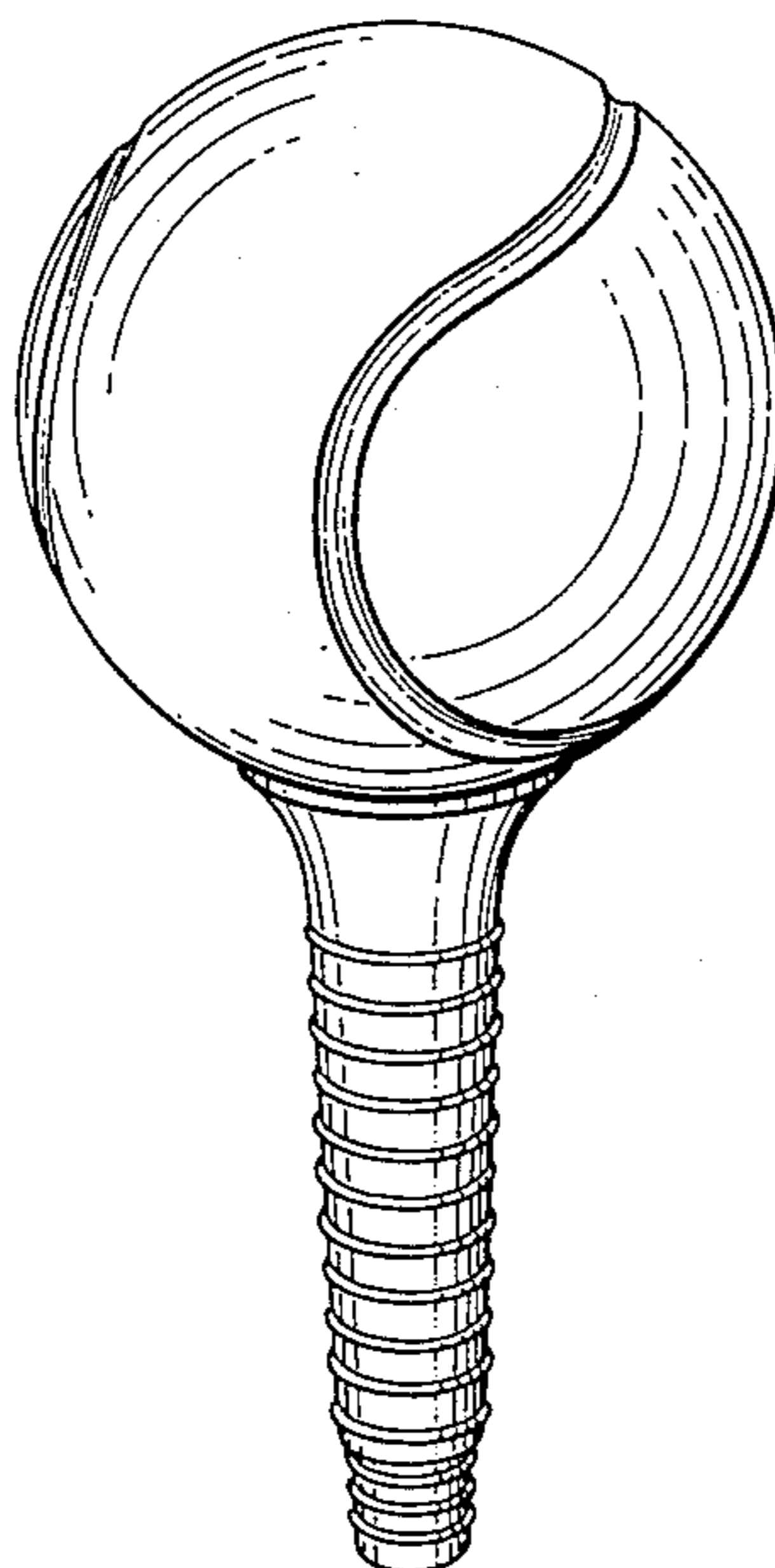
DESCRIPTION

FIG. 1 is a top front perspective view of a combined edible cone and ice cream therefor, showing our new design;

FIG. 2 is a bottom rear perspective view thereof;

FIG. 3 is a bottom plan view thereof; and

FIG. 4 is a top plan view thereof.



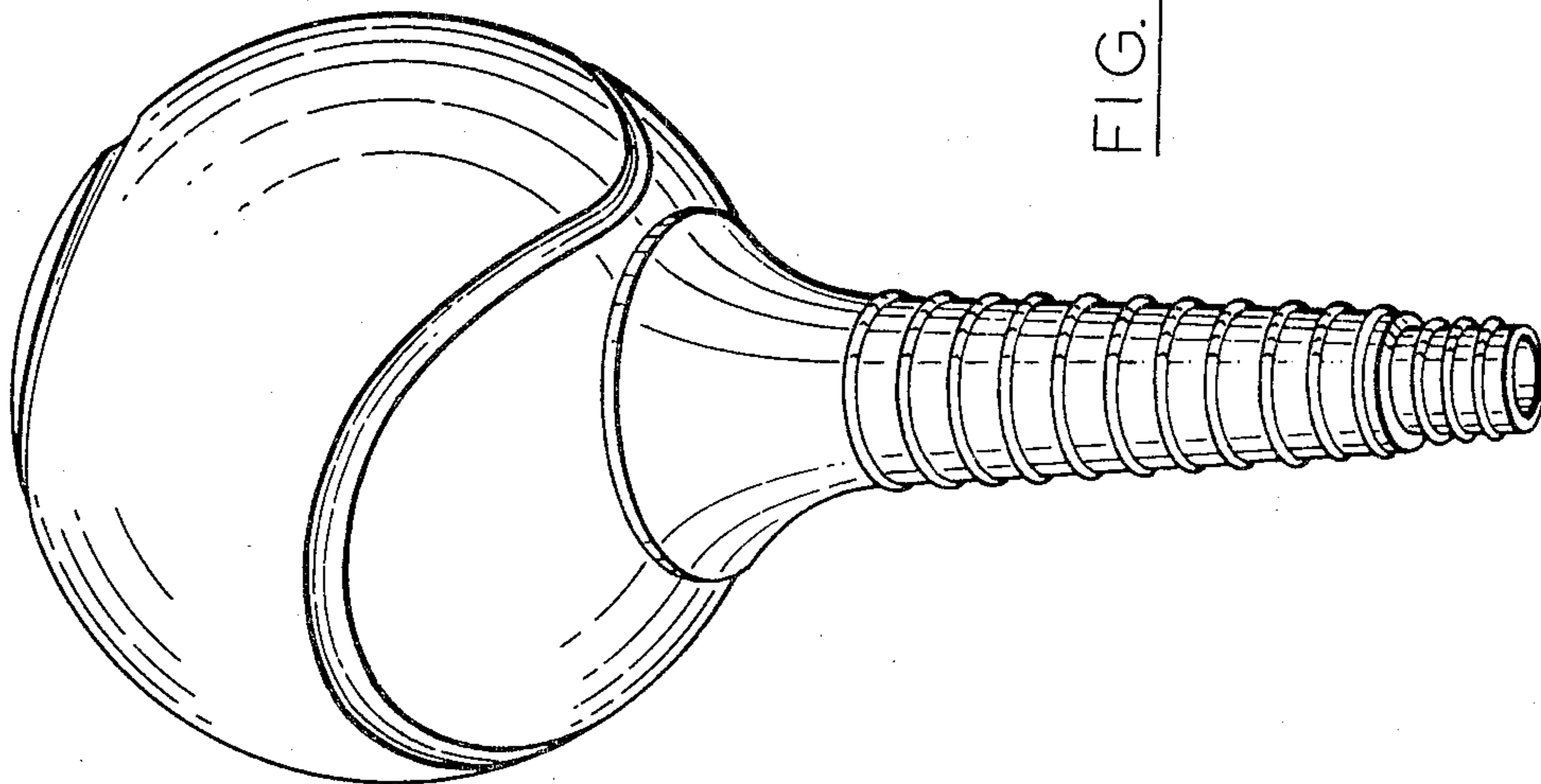


FIG. 2

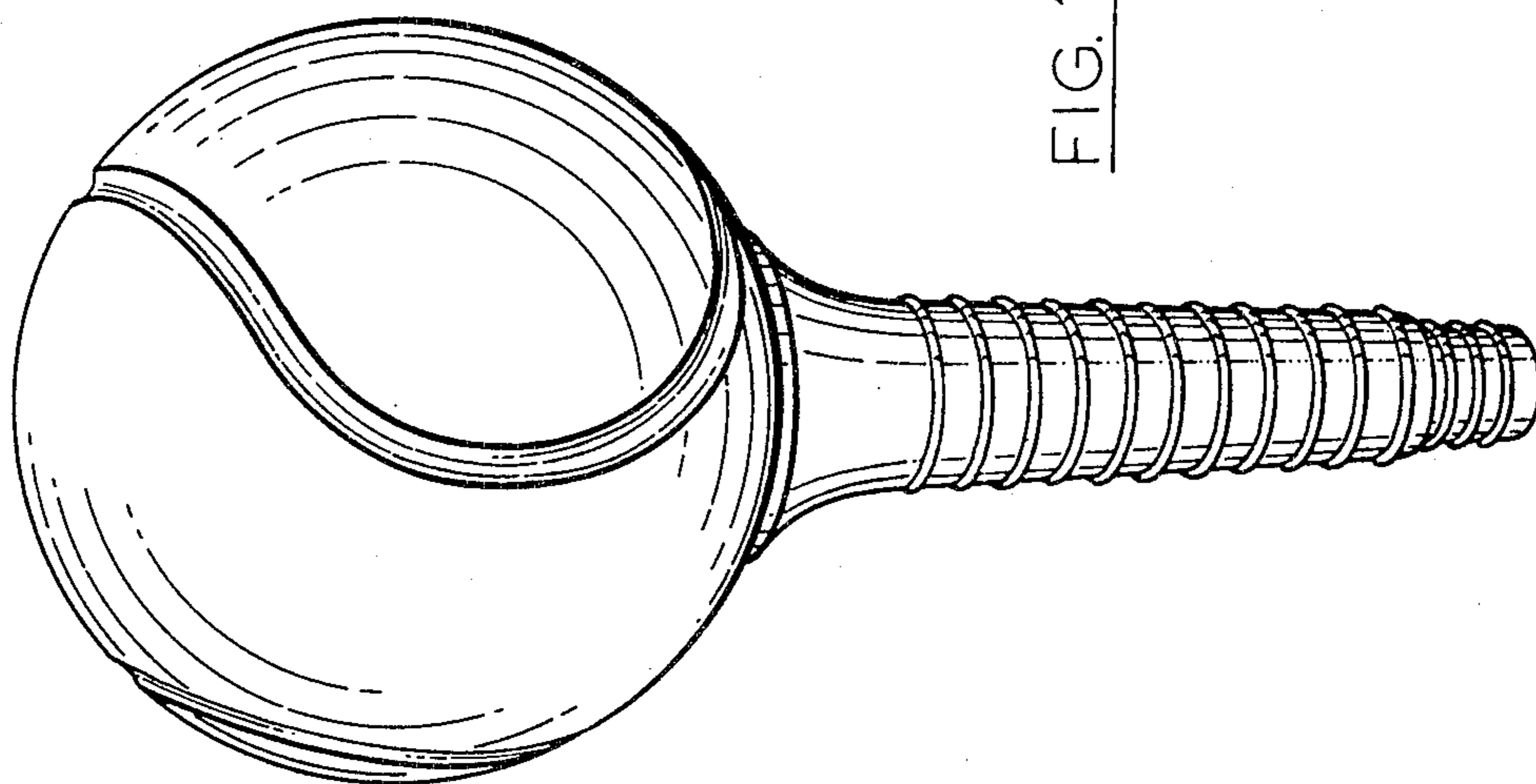


FIG. 1

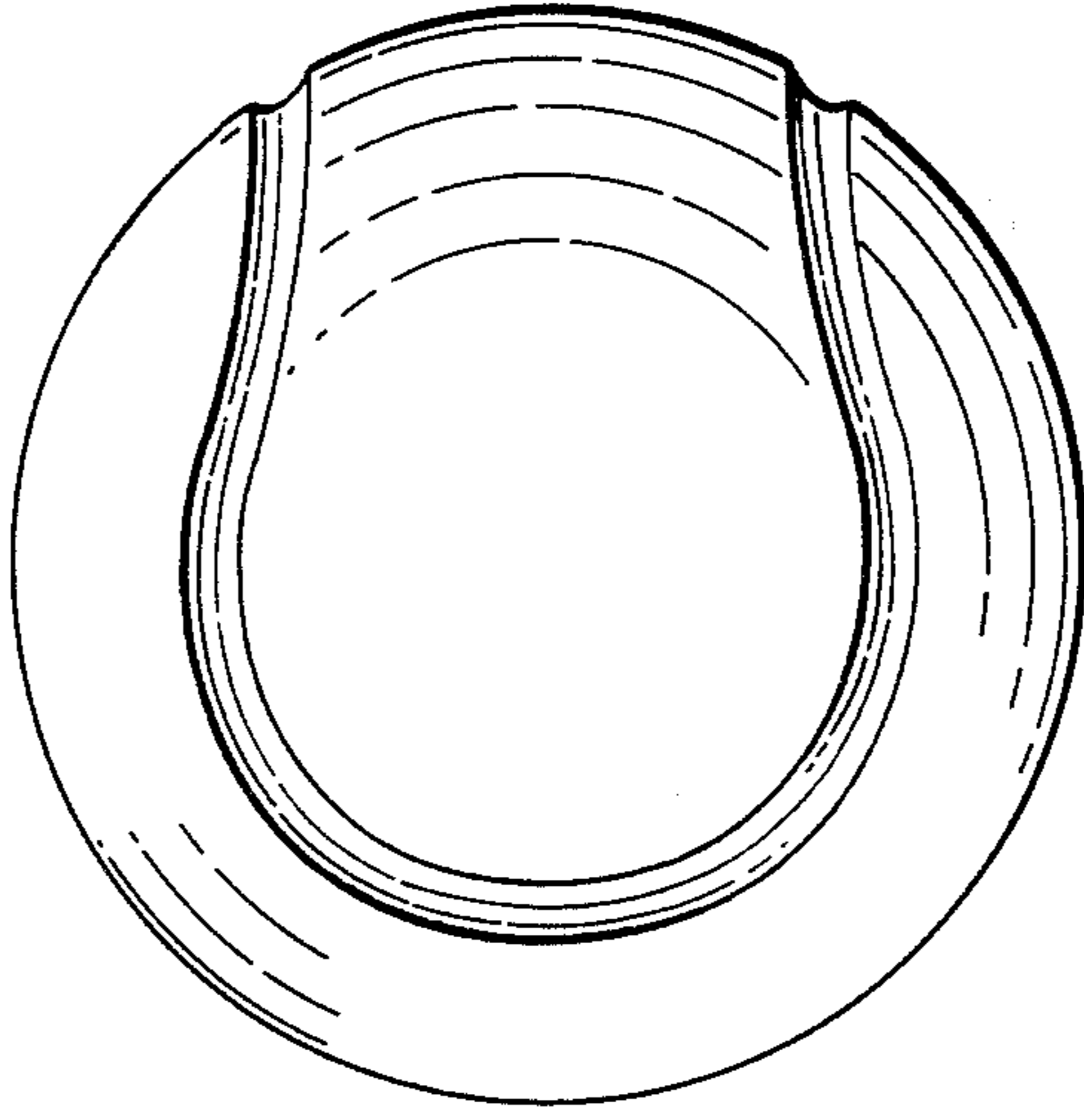


FIG. 4

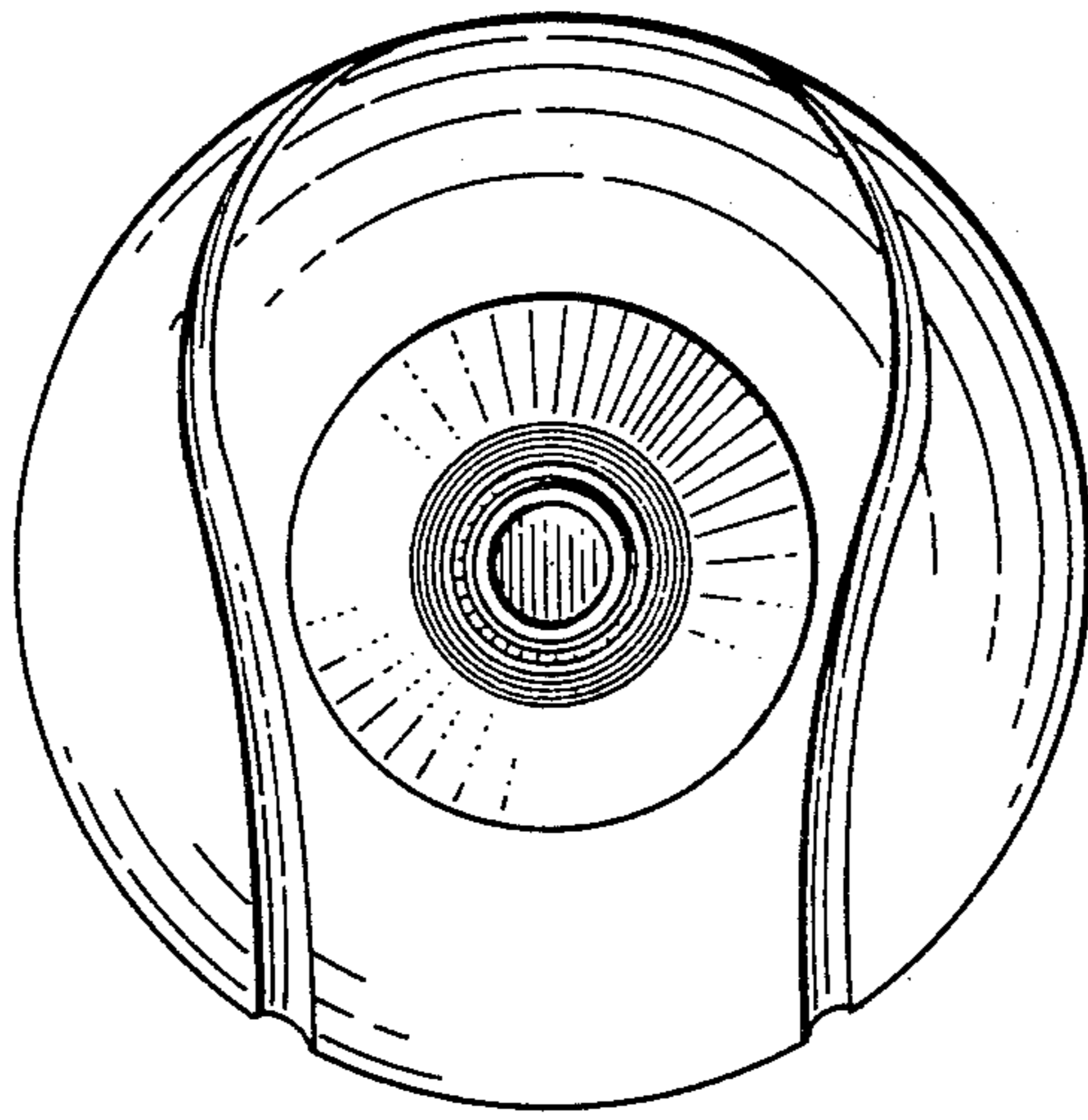


FIG. 3