

[54] COIN DISPLAY CASE

[75] Inventor: Fred J. Povitz, Montreal, Canada

[73] Assignee: Corporation d'Emballage Universel, Canada

[\*\*] Term: 14 Years

[21] Appl. No.: 590,771

[22] Filed: Mar. 19, 1984

[30] Foreign Application Priority Data

Feb. 16, 1984 [CA] Canada ..... 16-02-84-1  
[52] U.S. Cl. .... D99/34  
[58] Field of Search ..... D3/74; D99/34; 206/0.8, 206/0.81, 0.82, 0.83, 0.84; 281/20, 31; D19/26

[56] References Cited

U.S. PATENT DOCUMENTS

- D. 243,125 1/1977 Schnitzer ..... D3/74 X
- D. 247,829 5/1978 Schnitzer ..... D99/34 X
- D. 266,172 9/1982 Fraser et al. .... D19/26
- D. 267,047 11/1983 Lindström ..... D99/34
- D. 279,113 6/1985 Beall ..... D19/26

- 1,043,560 11/1912 Anthony ..... D3/74
- 3,064,805 11/1962 Bains ..... 206/0.83
- 4,378,876 4/1983 Szabo et al. .... 206/0.82

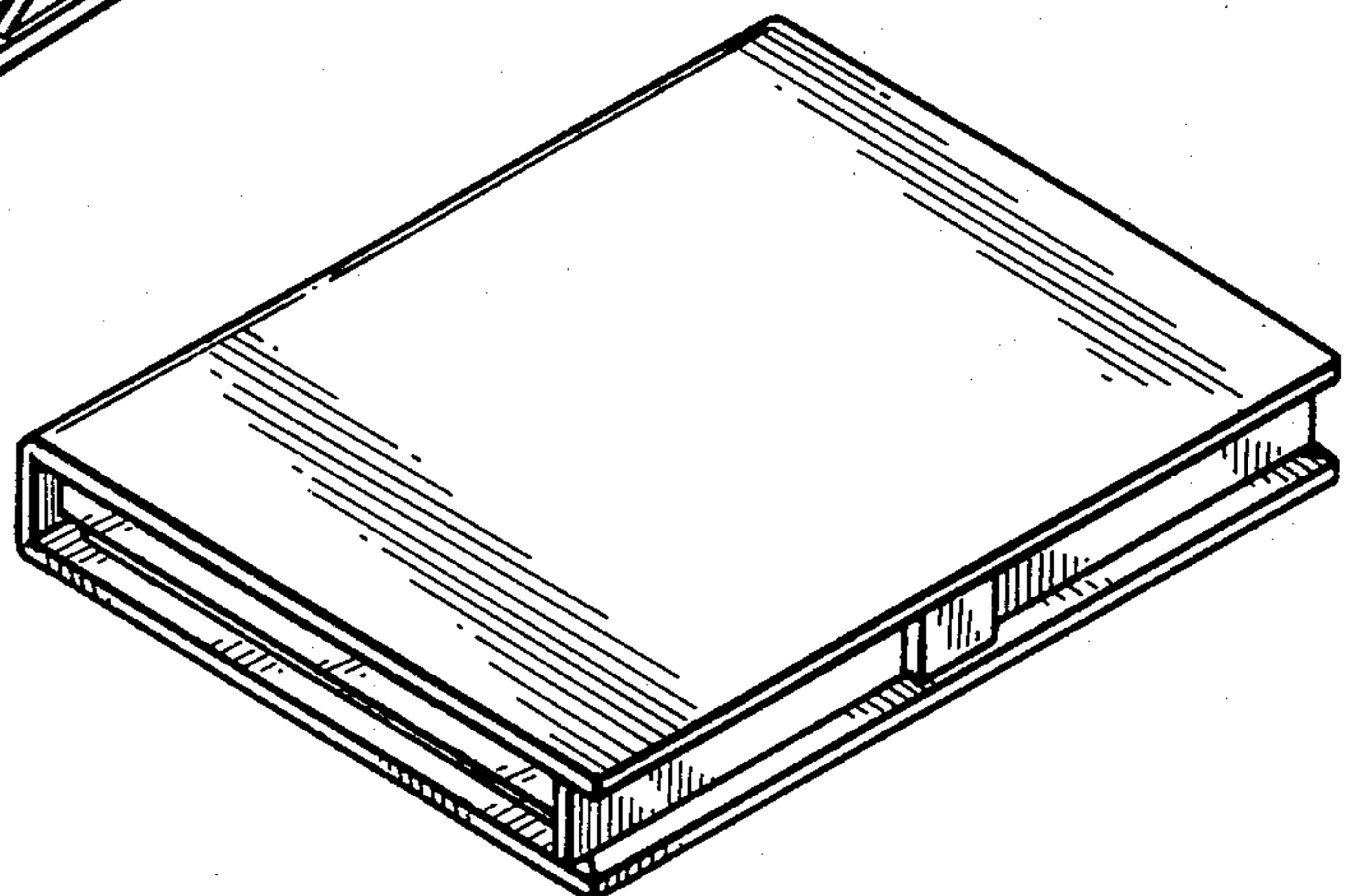
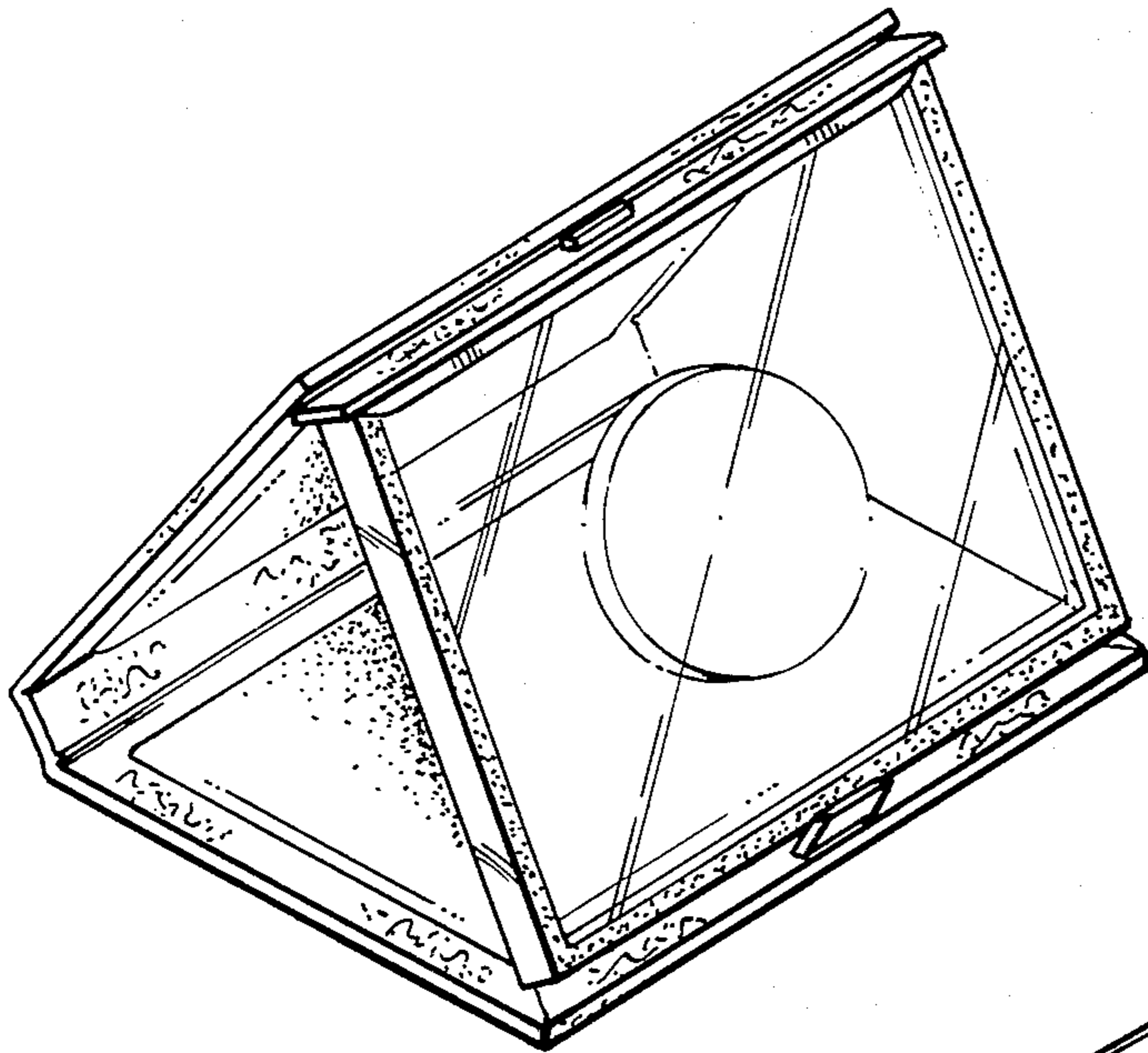
Primary Examiner—Bernard Ansher  
Assistant Examiner—Theodore M. Shooman  
Attorney, Agent, or Firm—Stevens, Davis, Miller & Mosher

[57] CLAIM

The ornamental design for a coin display case, as shown and described.

DESCRIPTION

FIG. 1 is a top plan view of a coin display case showing my new design;  
FIG. 2 is a bottom plan view thereof;  
FIG. 3 is a rear elevational view thereof;  
FIG. 4 is a front elevational view thereof;  
FIG. 5 is a left side elevational view thereof;  
FIG. 6 is a right side elevational view thereof;  
FIG. 7 is a top, front and side perspective view thereof;  
FIG. 8 is a top, front and side perspective view thereof, shown in the open position; and  
FIG. 9 is a top, front and side perspective view thereof, shown in a position open for display.



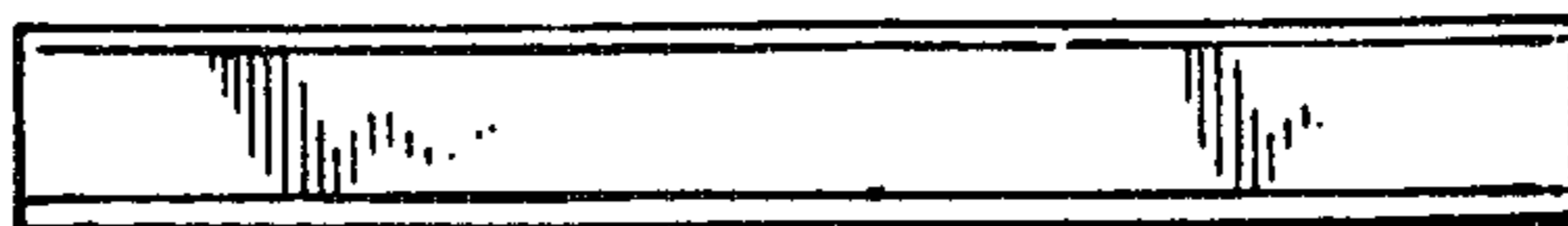


FIG. 3



FIG. 5

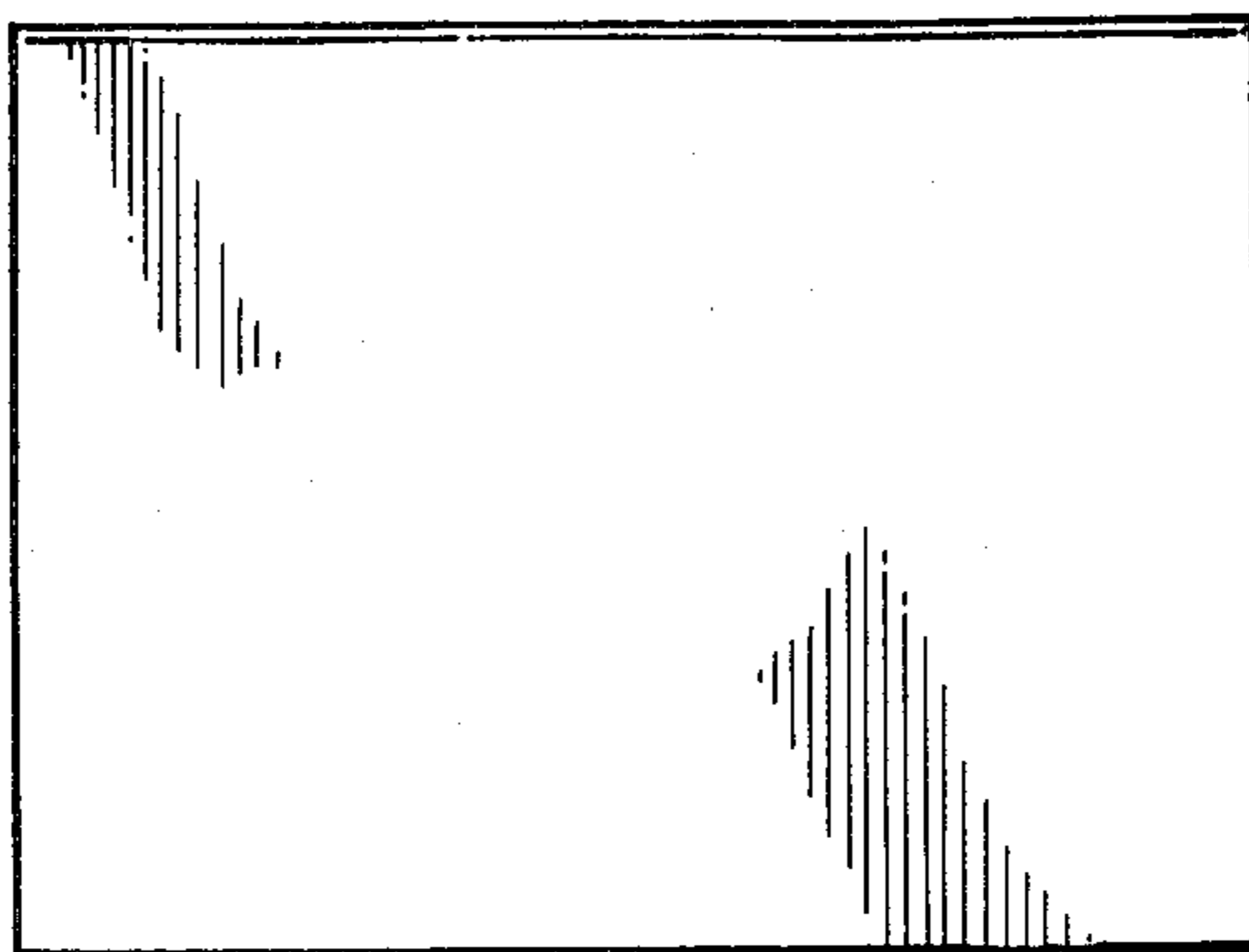


FIG. 1



FIG. 6



FIG. 4

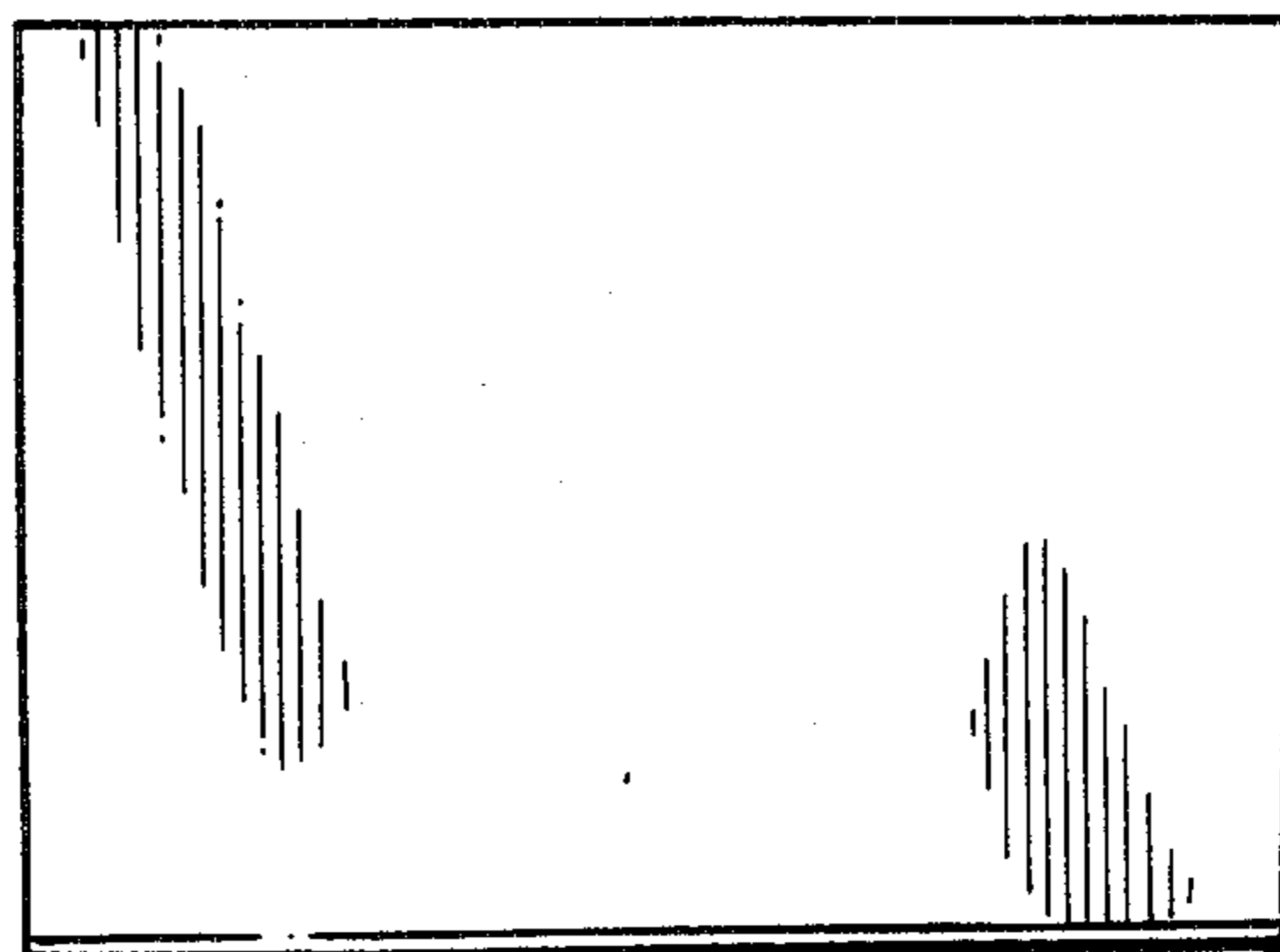


FIG. 2

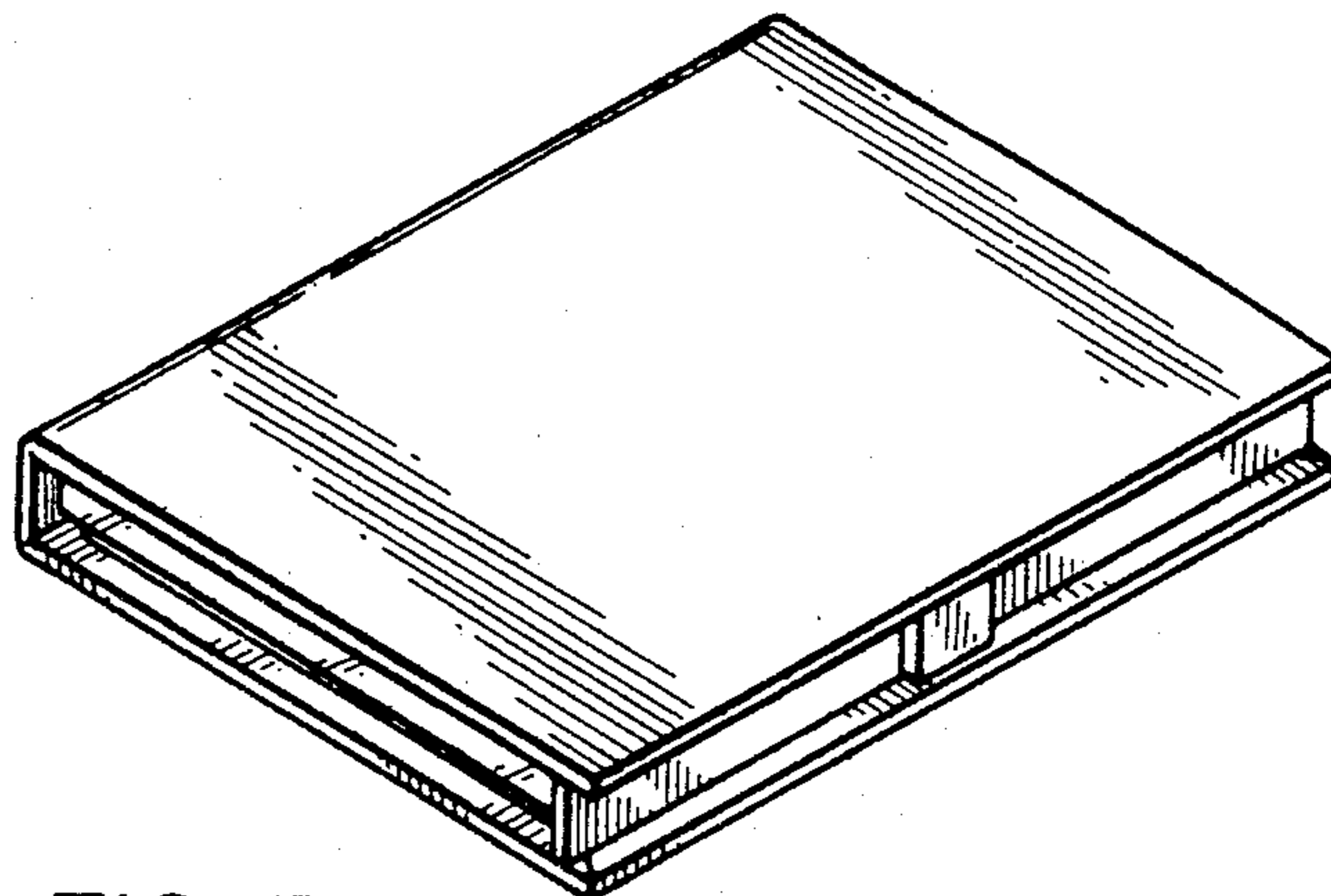


FIG. 7

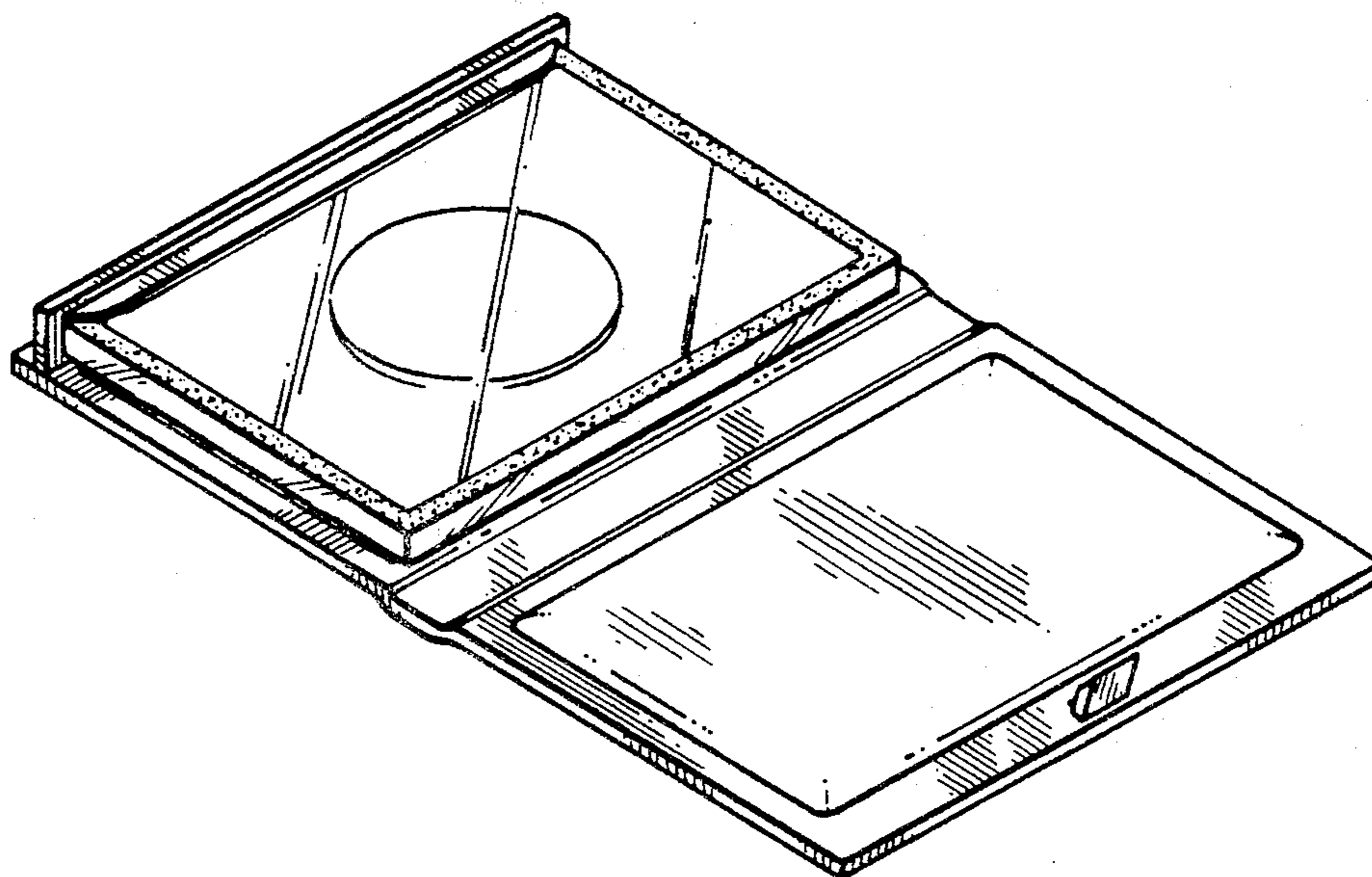


FIG. 8

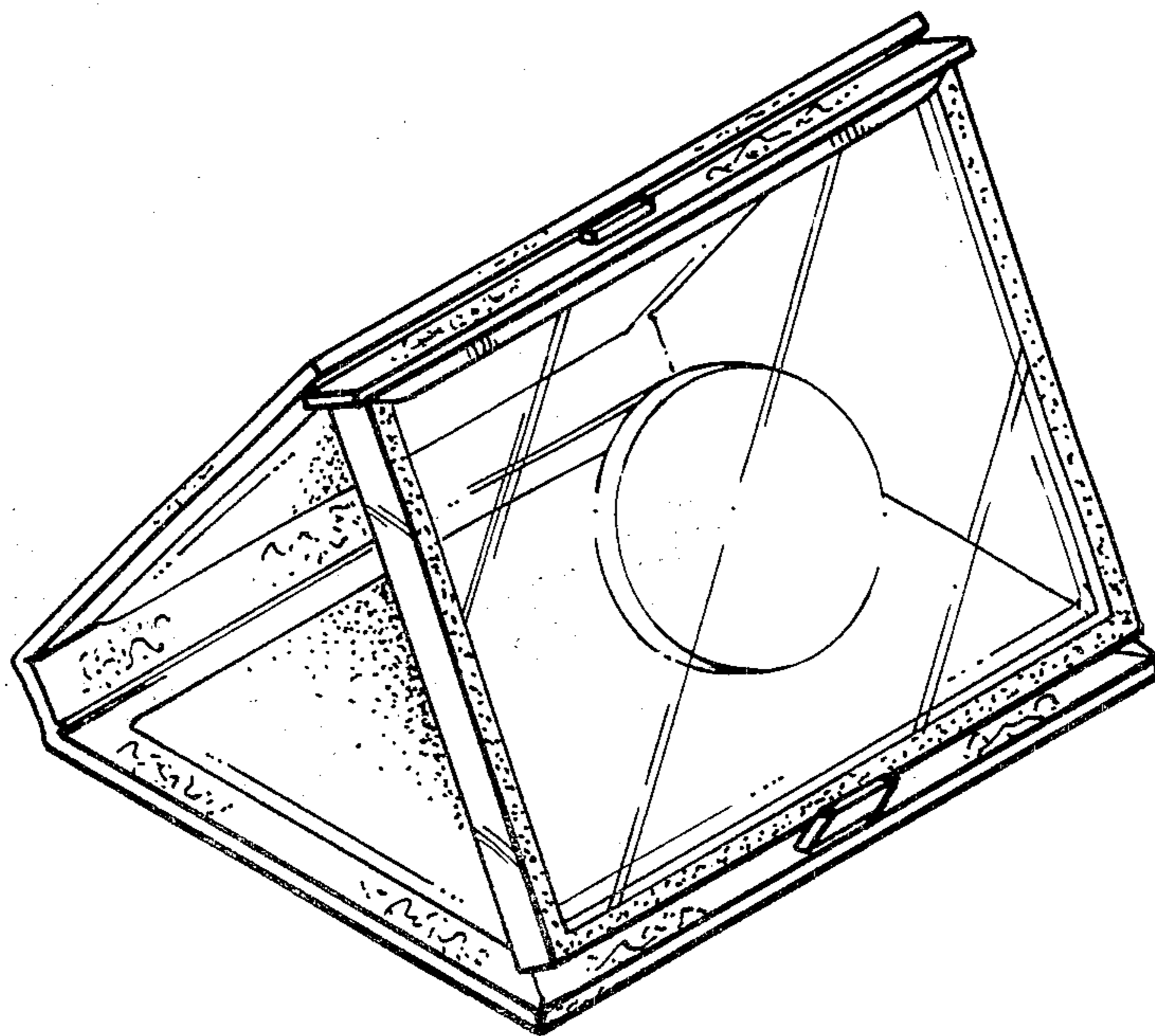


FIG. 9