

[54] COMBINED STORAGE CONTAINER AND LID

[75] Inventor: Gerhard Schäfer, Salchendorf, Fed. Rep. of Germany

[73] Assignee: Fritz Schafer Gesellschaft mit beschränkter Haftung, Neunkirchen, Fed. Rep. of Germany

[**] Term: 14 Years

[21] Appl. No.: 599,455

[22] Filed: Apr. 12, 1984

[30] Foreign Application Priority Data

Oct. 12, 1983 [DE] Fed. Rep. of Germany MR 383
[52] U.S. Cl. D34/43
[58] Field of Search D9/424, 425, 426, 428, D9/431, 432; D34/46, 47; 206/506; 220/94 A; 229/43; D7/16, 76

[56] References Cited

U.S. PATENT DOCUMENTS

- D. 238,051 12/1975 Fier, Jr. D9/425
D. 249,233 9/1978 Florian D9/425
D. 260,237 8/1981 Fuzere D9/341 X
D. 271,153 10/1983 Deaton D34/40
D. 277,797 2/1985 Chabot D9/425 X
D. 277,993 3/1985 Sinchok D9/425 X

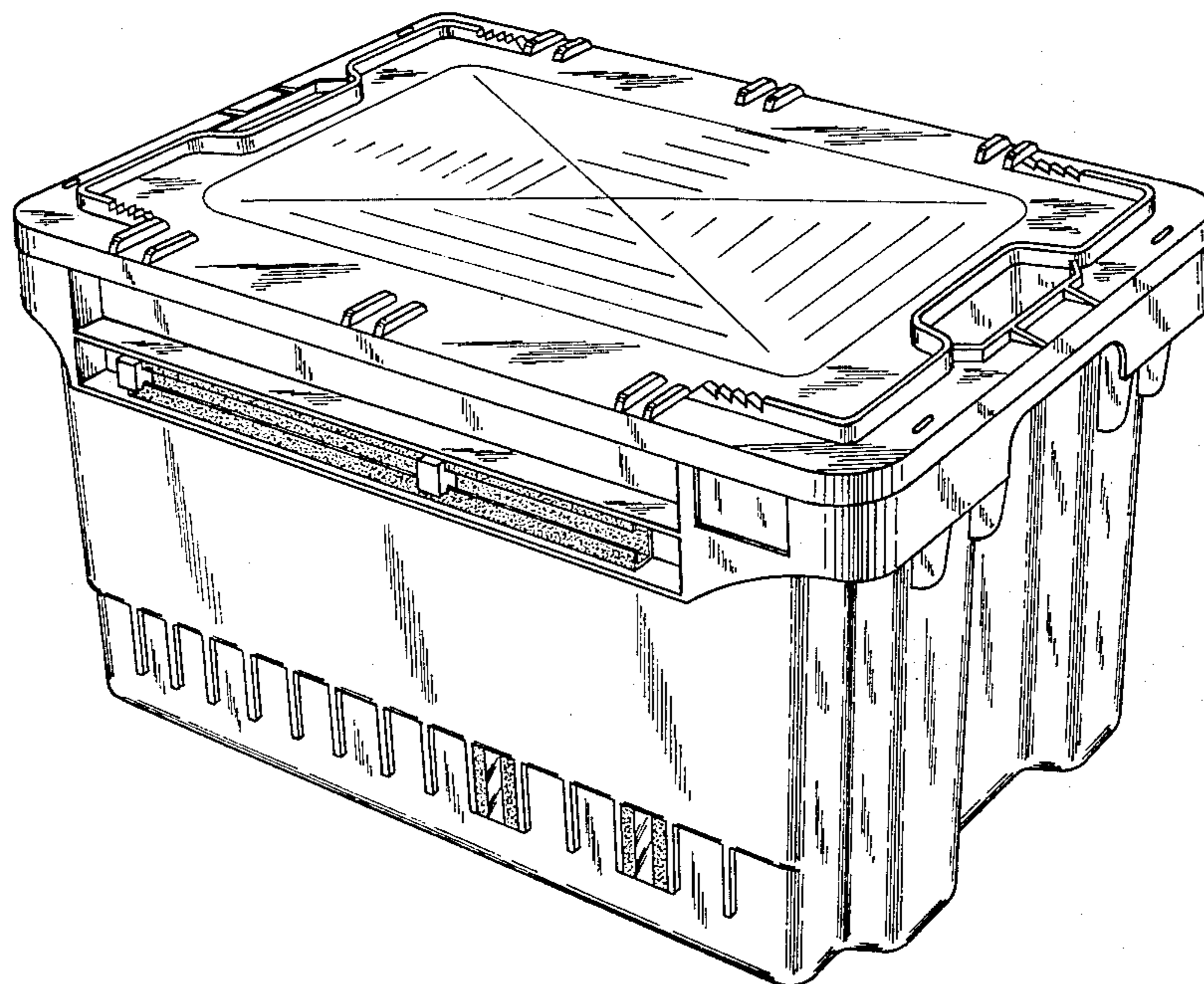
Primary Examiner—Robert C. Spangler
Attorney, Agent, or Firm—Karl F. Ross; Herbert Dubno

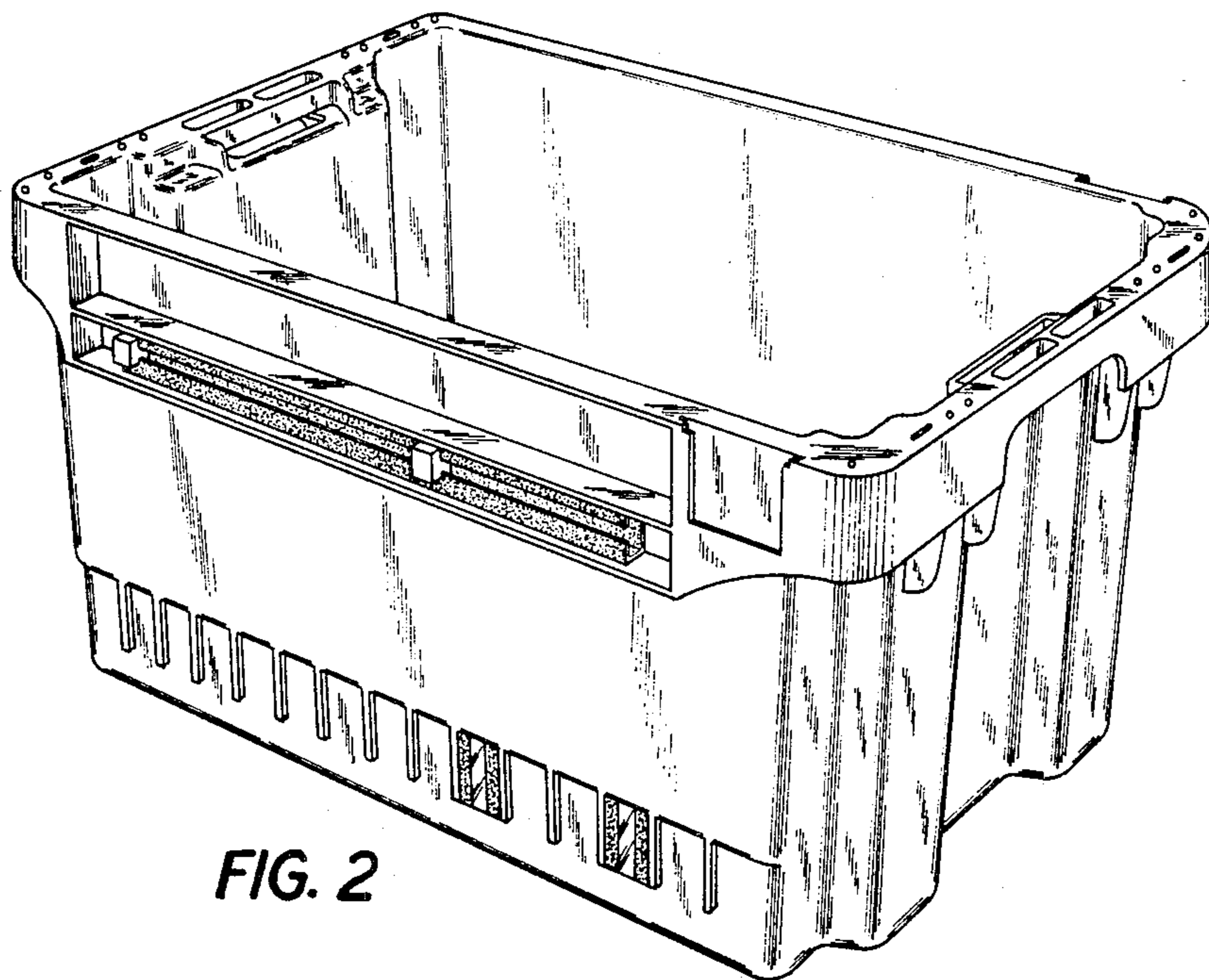
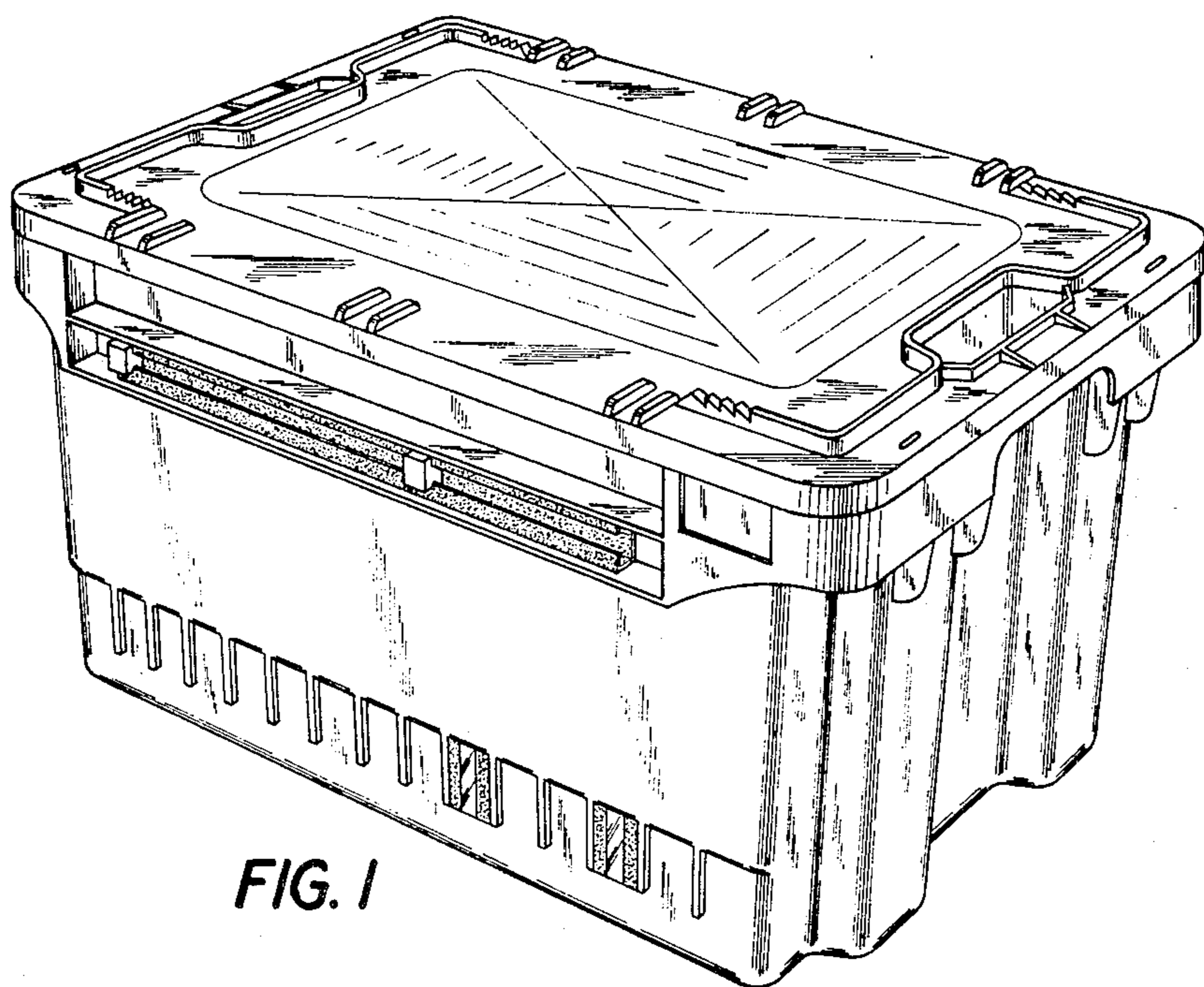
[57] CLAIM

The ornamental design for a combined storage container and lid, as shown and described.

DESCRIPTION

FIG. 1 is a perspective view of a combined storage container and lid showing my new design, the side opposite the side shown being a mirror image thereof; FIG. 2 is a view similar to FIG. 1 with the lid removed; FIG. 3 is a top plan view with the lid removed; FIG. 4 is an end elevational view thereof. FIG. 5 is a front elevational view with the lid in place; and FIG. 6 is an elevational view of the end opposite that seen in FIG. 4. The bottom is plain and unornamented.





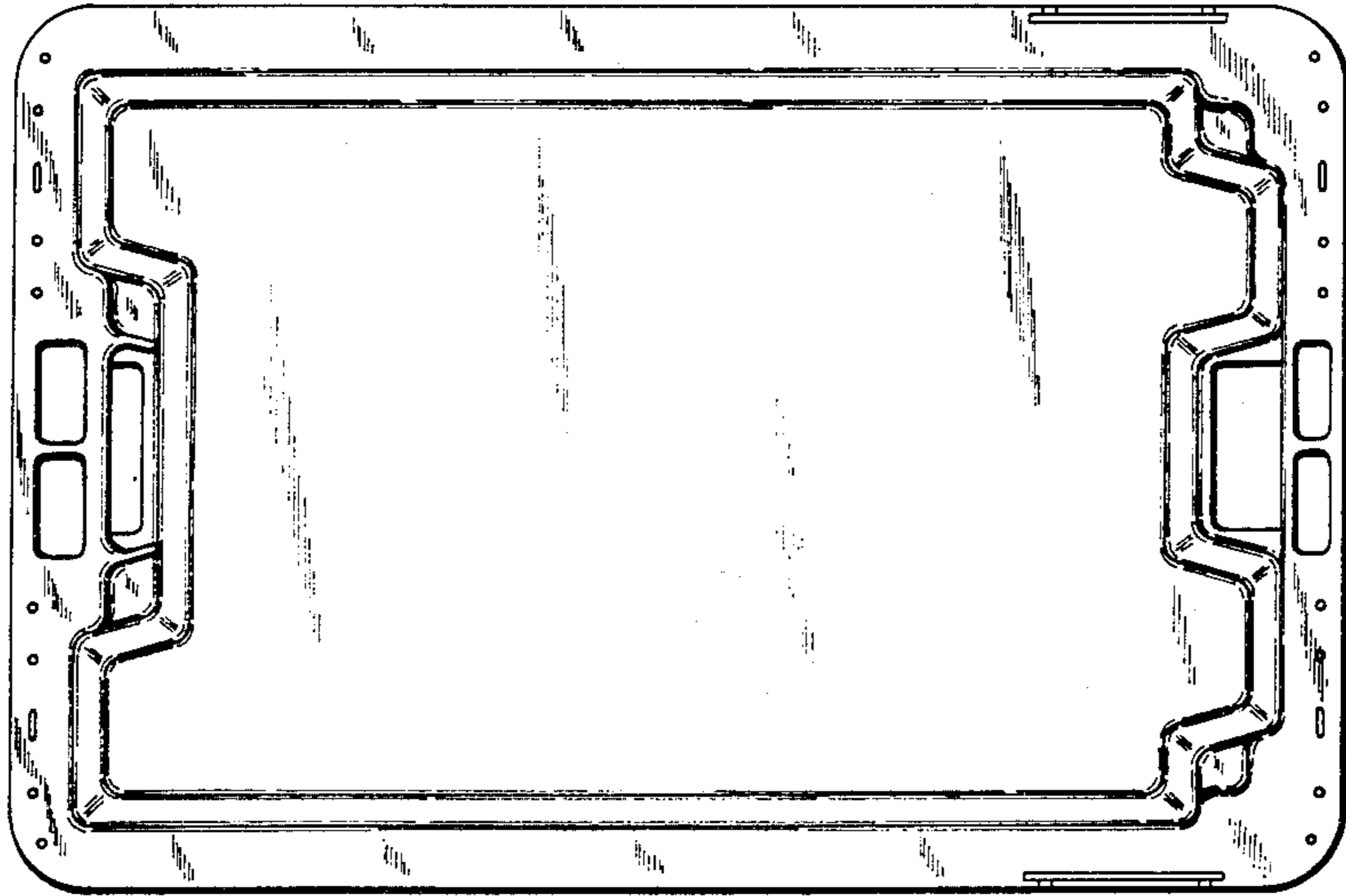


FIG. 3

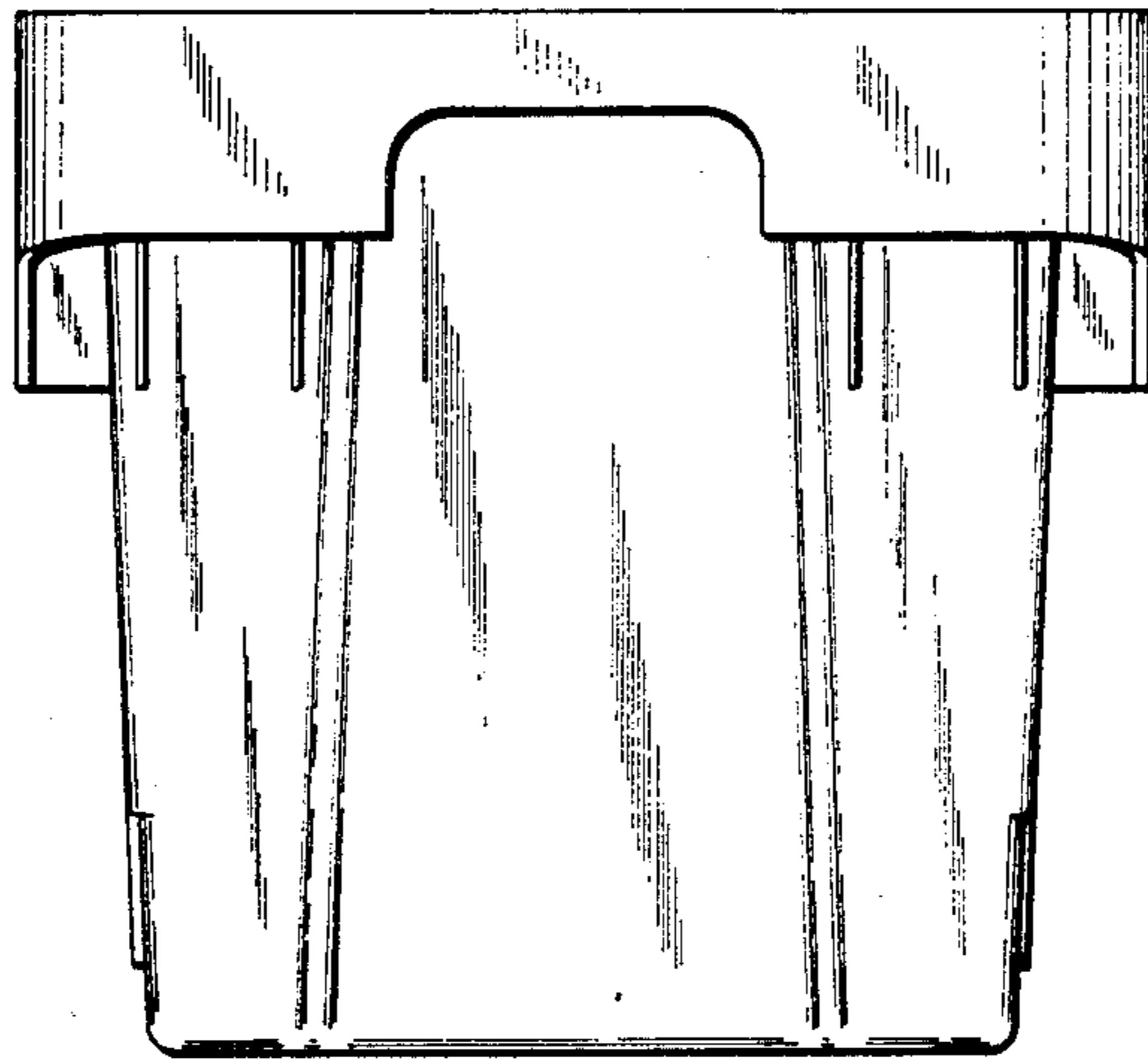


FIG. 4

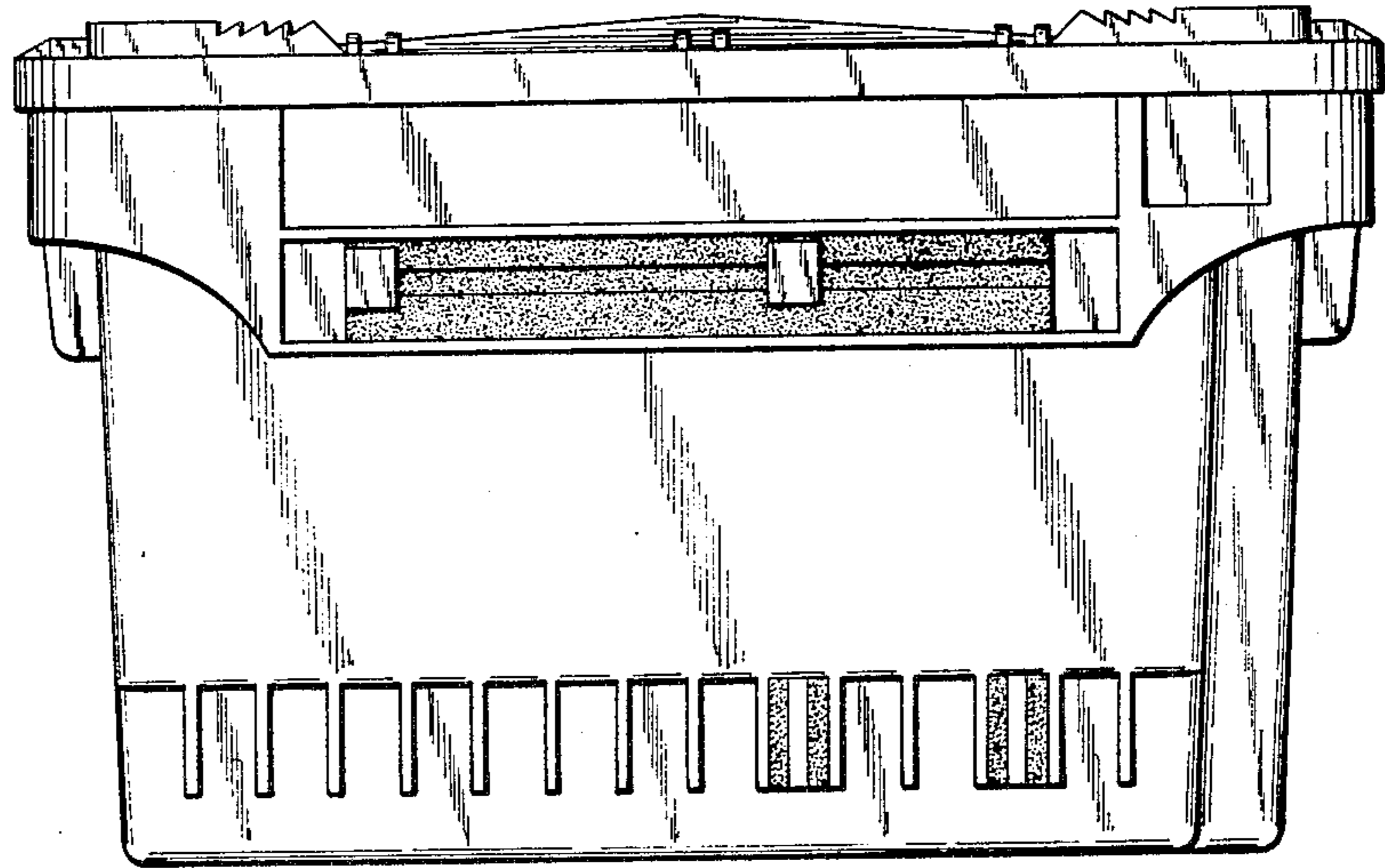


FIG. 5

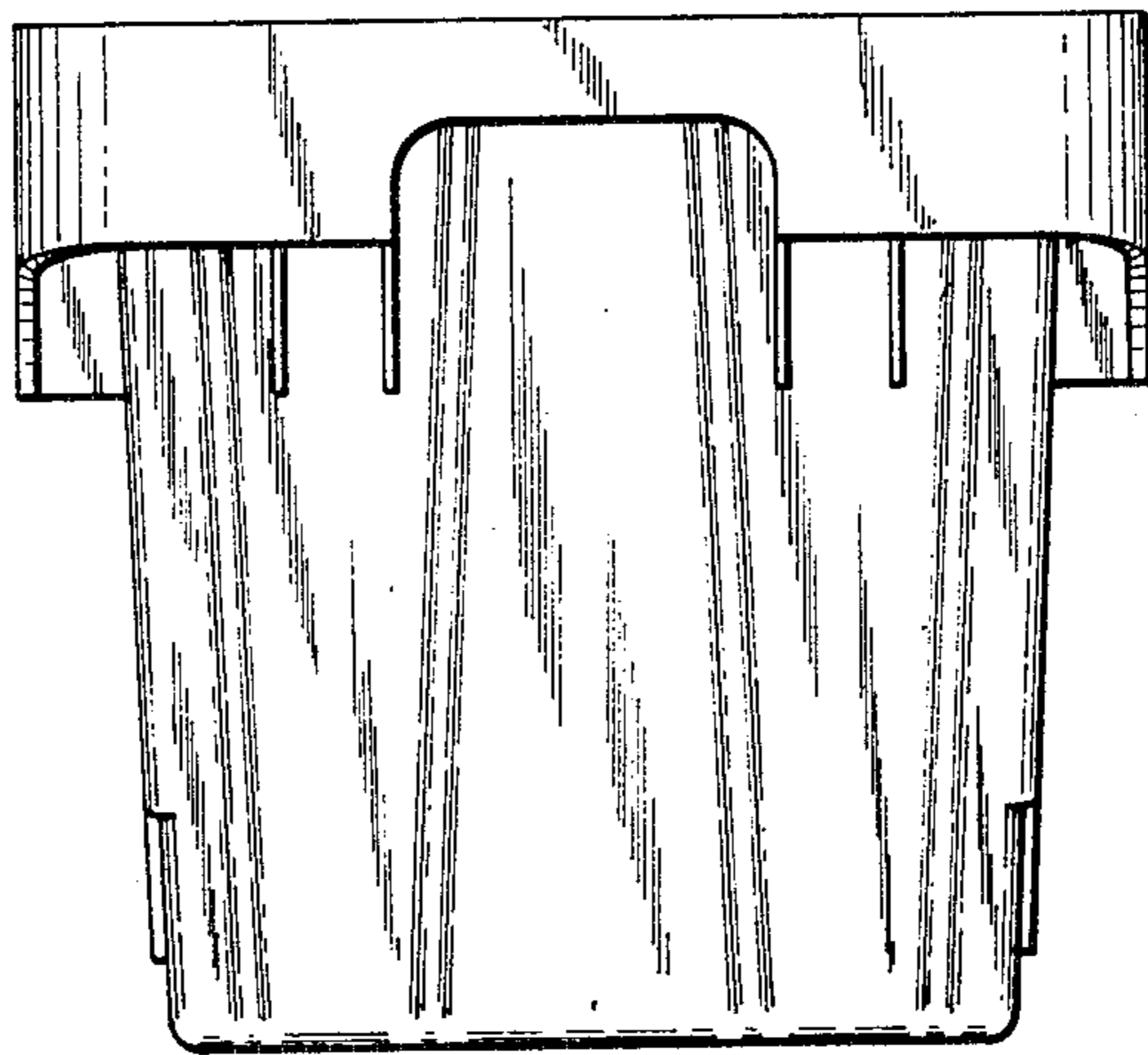


FIG. 6