

[54] **JACK**
[76] **Inventor: Michael Hung, 11th Fl., No. 624, Min Chuan E. Road, Taipei City, Taiwan**
[**] **Term: 14 Years**
[21] **Appl. No.: 667,147**
[22] **Filed: Nov. 1, 1984**
[52] **U.S. Cl. D34/31**
[58] **Field of Search D34/31; 254/8 B**

[56] **References Cited**

U.S. PATENT DOCUMENTS

D. 253,696	12/1979	Suzuki	D34/31
4,018,421	4/1977	Tallman	254/8 B
4,131,263	12/1978	John	254/8 B
4,277,048	7/1981	Okuda	254/8 B

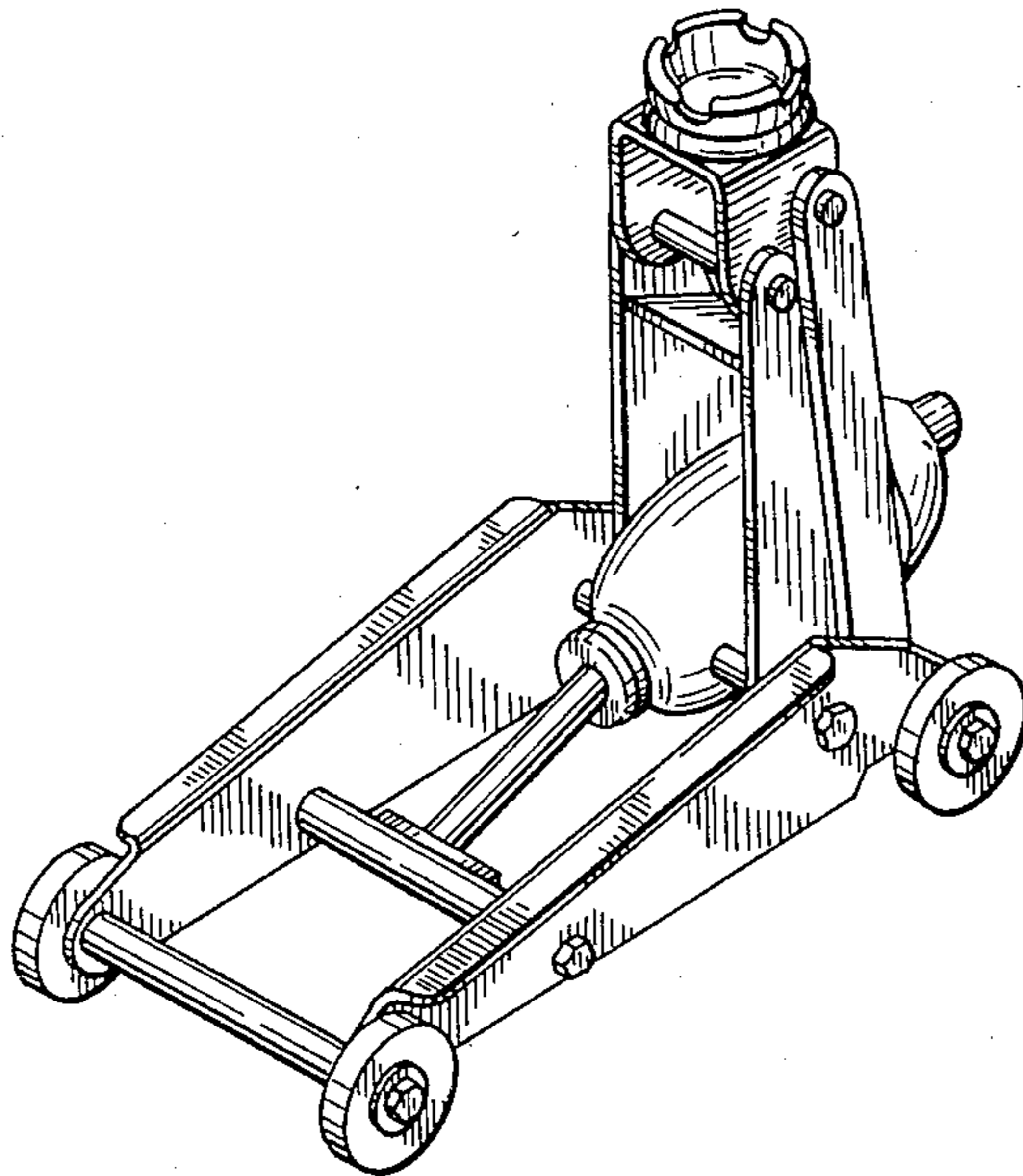
Primary Examiner—James M. Gandy
Assistant Examiner—Kay H. Chin
Attorney, Agent, or Firm—Saidman, Sterne, Kessler & Goldstein

[57] **CLAIM**

The ornamental design for a jack, as shown.

DESCRIPTION

FIG. 1 is a perspective view of a jack showing my new design;
FIG. 2 is a front elevational view thereof;
FIG. 3 is a rear elevational view thereof;
FIG. 4 is a left side elevational view thereof;
FIG. 5 is a right side elevational view thereof;
FIG. 6 is a top plan view thereof; and
FIG. 7 is a bottom plan view thereof;



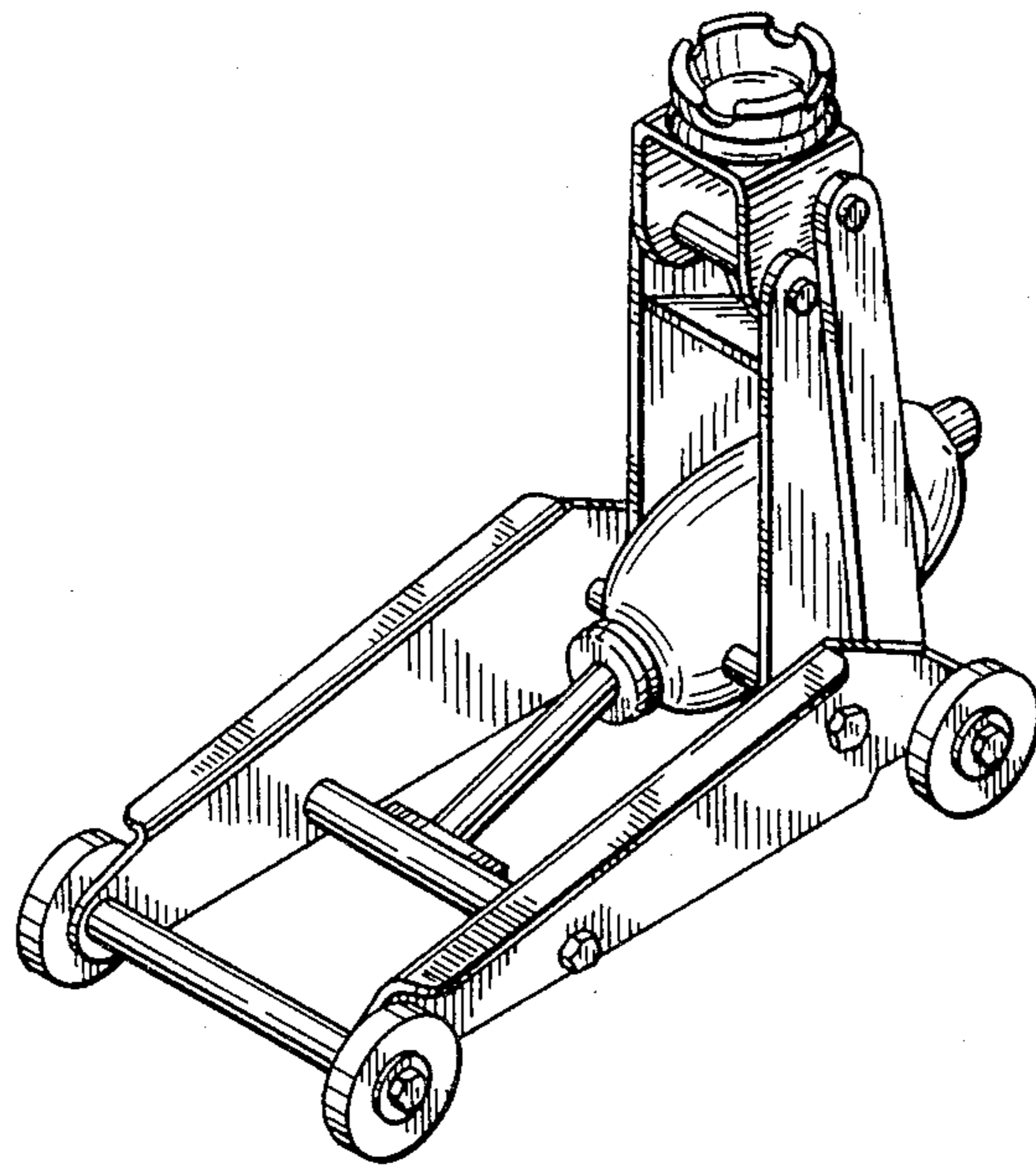


FIG. 1

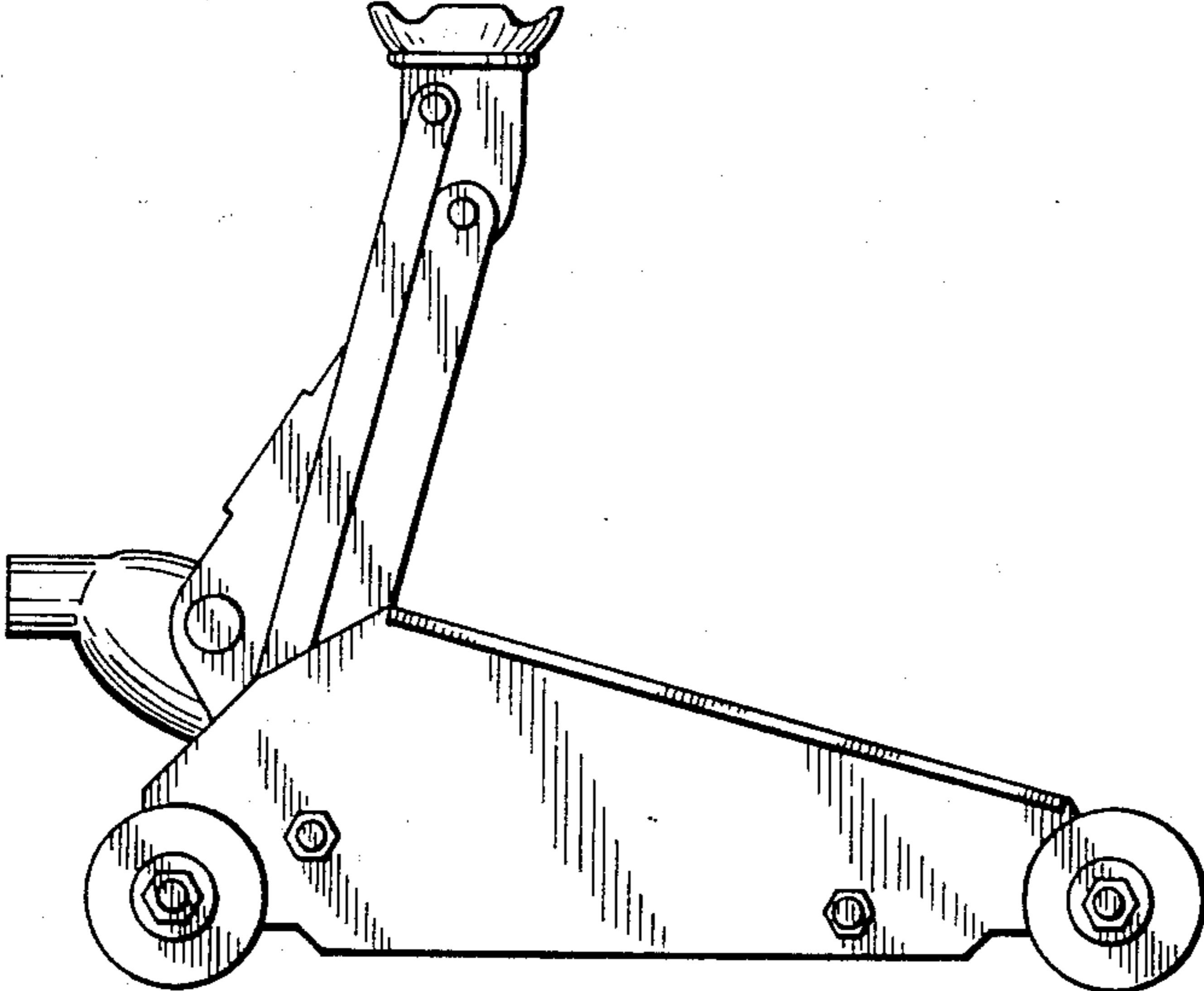


FIG.3

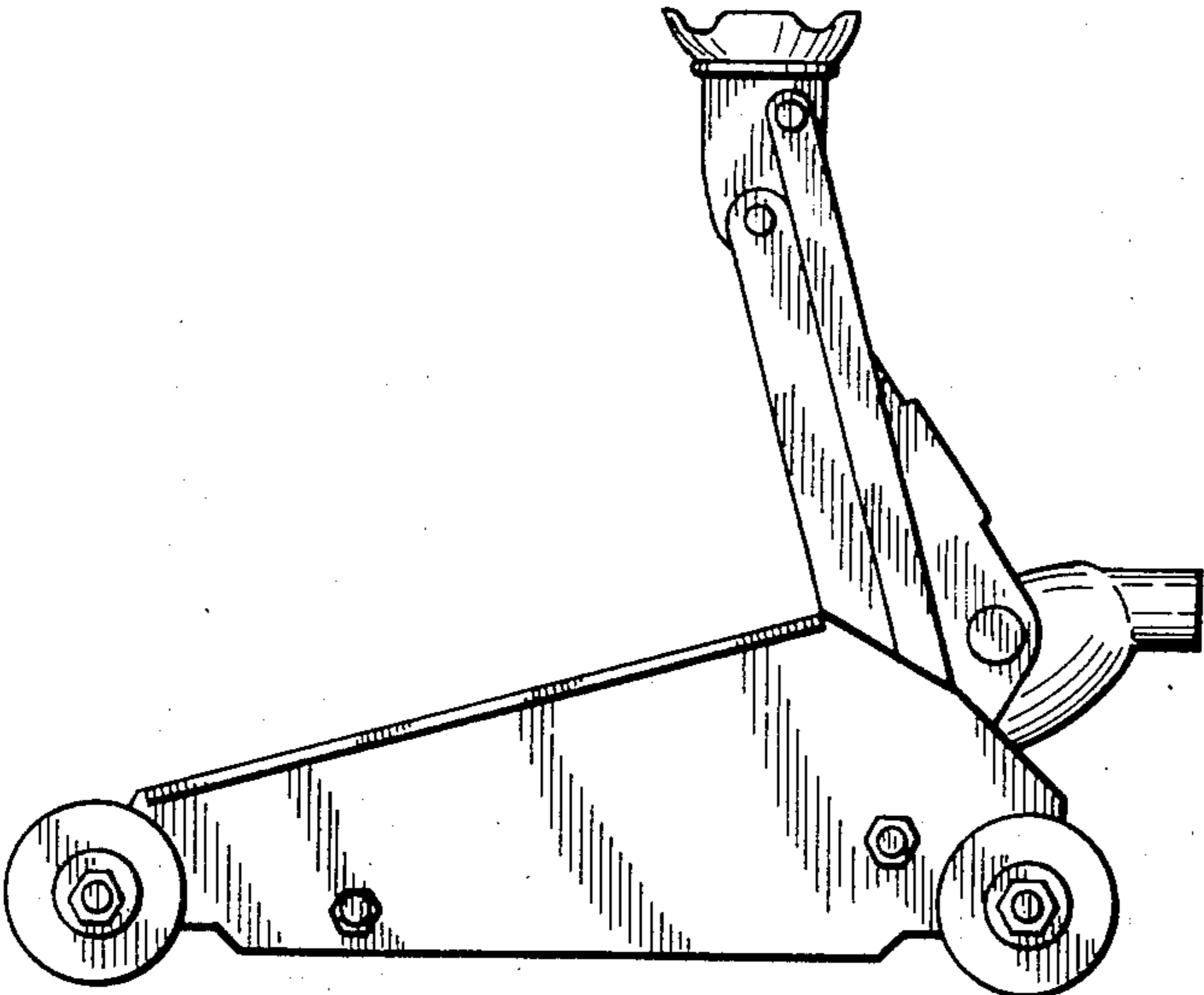


FIG.2

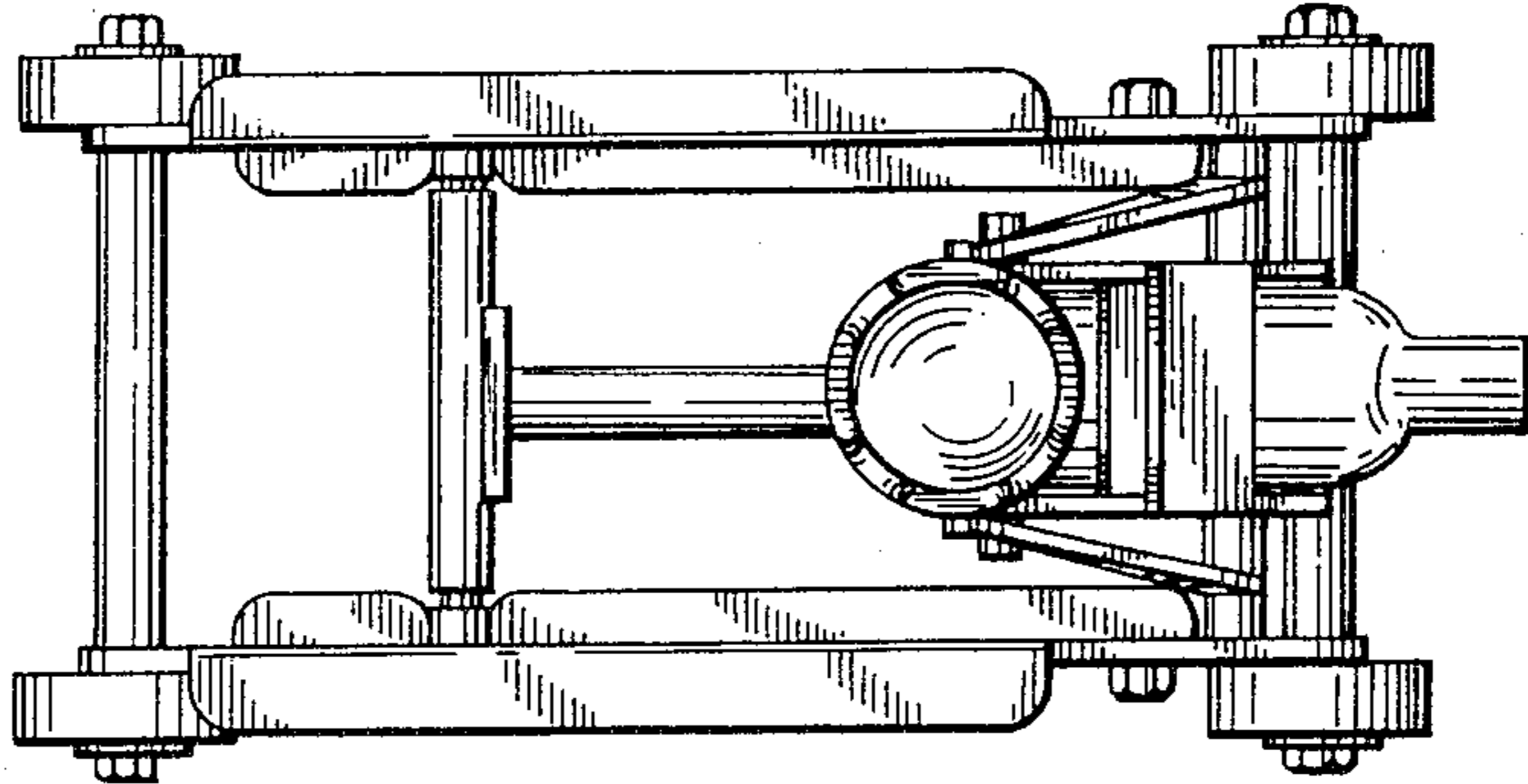


FIG. 6

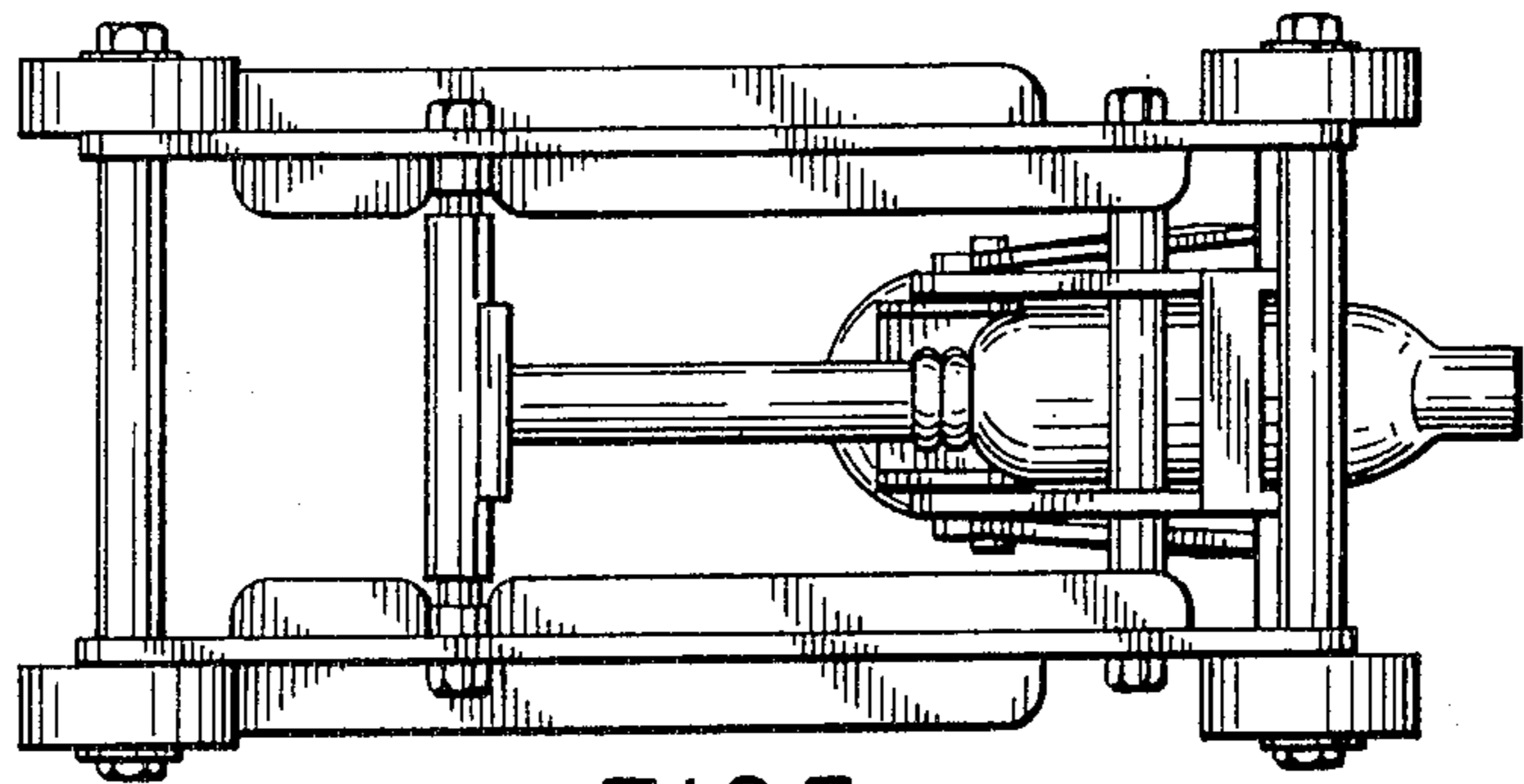


FIG. 7

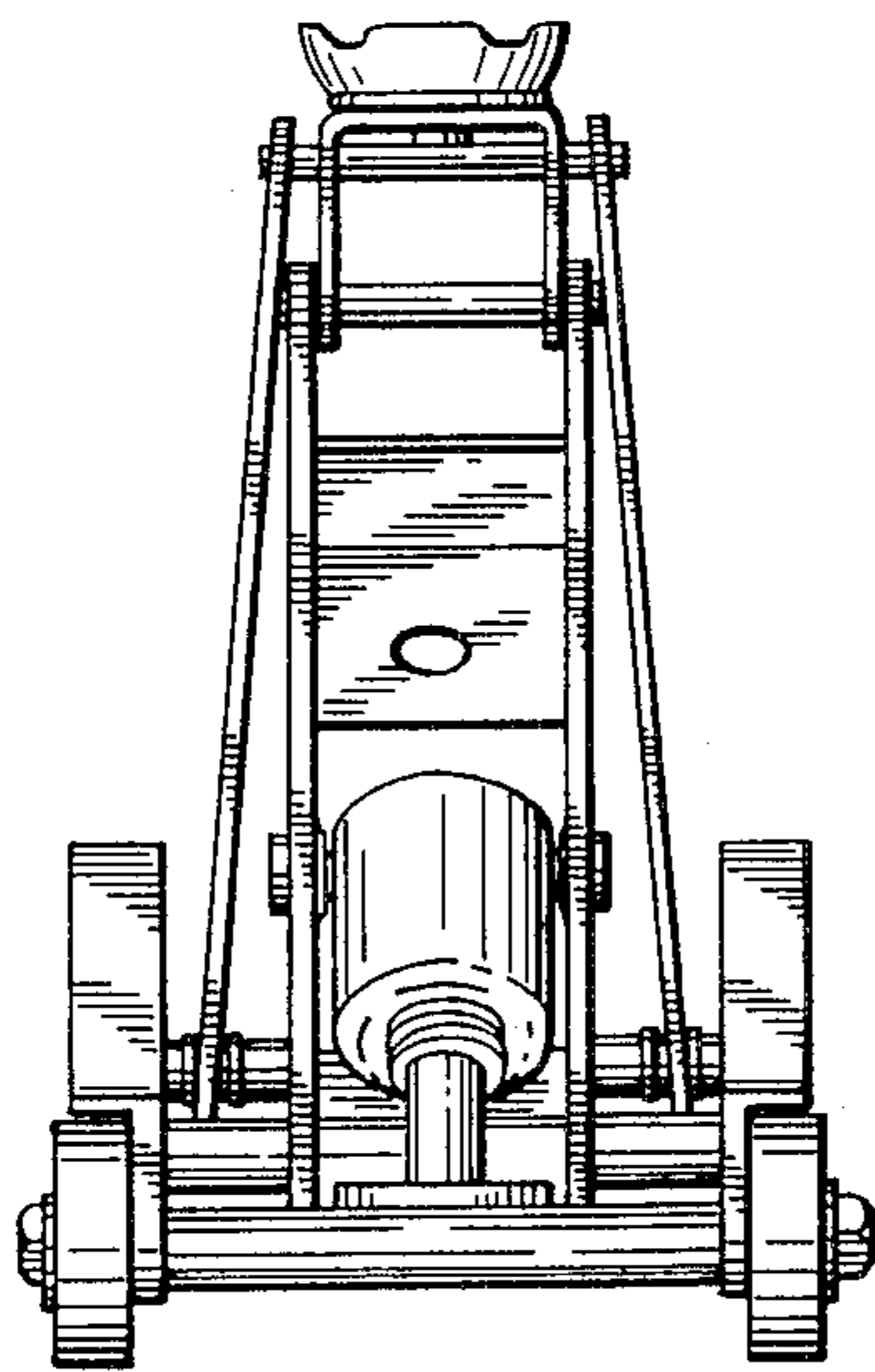


FIG. 4

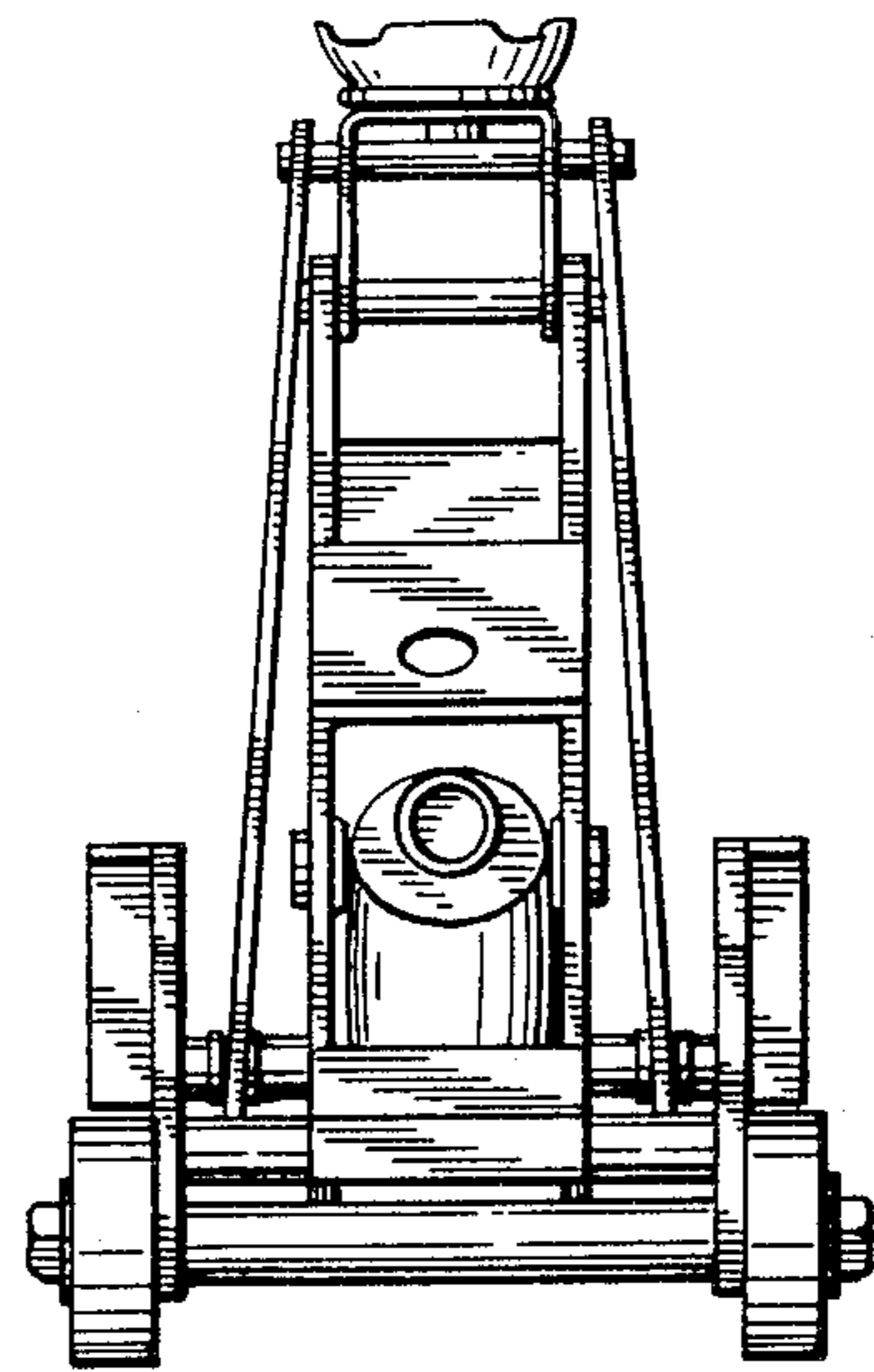


FIG. 5