

[54] GOLF CART

4,032,054 6/1977 Duncan ..... 280/DIG. 6

[76] Inventor: Charles W. Plowey, 1145 Jancey St., Pittsburgh, Pa. 15206

Primary Examiner—James M. Gandy  
Assistant Examiner—Kay H. Chin

[\*\*] Term: 14 Years

[57] CLAIM

[21] Appl. No.: 653,573

The ornamental design for a golf cart, as shown and described.

[22] Filed: Sep. 24, 1984

[52] U.S. Cl. .... D34/15

[58] Field of Search ..... D34/11-27;  
280/DIG. 6, DIG. 5, 47.26, 645, 47.31

DESCRIPTION

[56] References Cited

U.S. PATENT DOCUMENTS

- D. 177,799 5/1956 DeOrlew ..... 280/DIG. 6
- D. 273,905 5/1984 Rosen ..... D34/15
- 1,960,862 5/1934 Baldwin ..... 280/47.31
- 2,784,979 3/1957 Chamberlin et al. .... 280/47.26

FIG. 1 is a perspective view of a golf cart showing my new design;  
 FIG. 2 is a front elevational view thereof;  
 FIG. 3 is a side elevational view thereof;  
 FIG. 4 is an opposite side elevational view of FIG. 3 thereof;  
 FIG. 5 is a top plan view thereof;  
 FIG. 6 is a bottom plan view thereof;  
 FIG. 7 is a rear elevational view thereof.

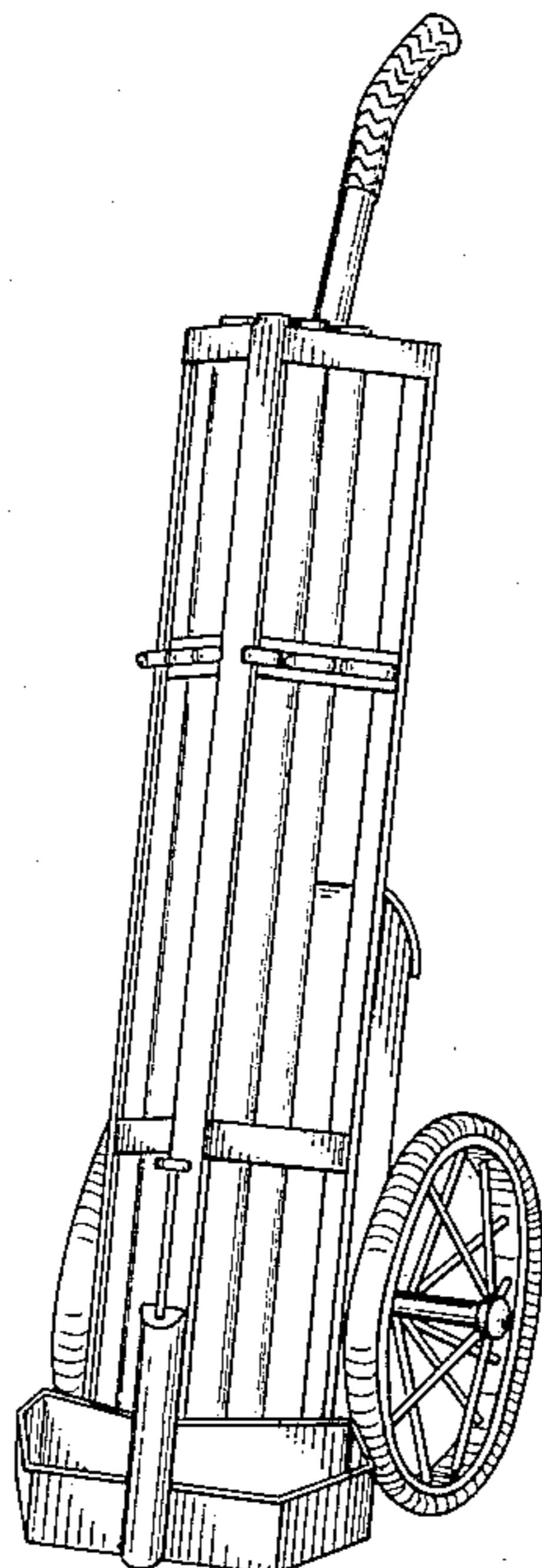


FIG. 1

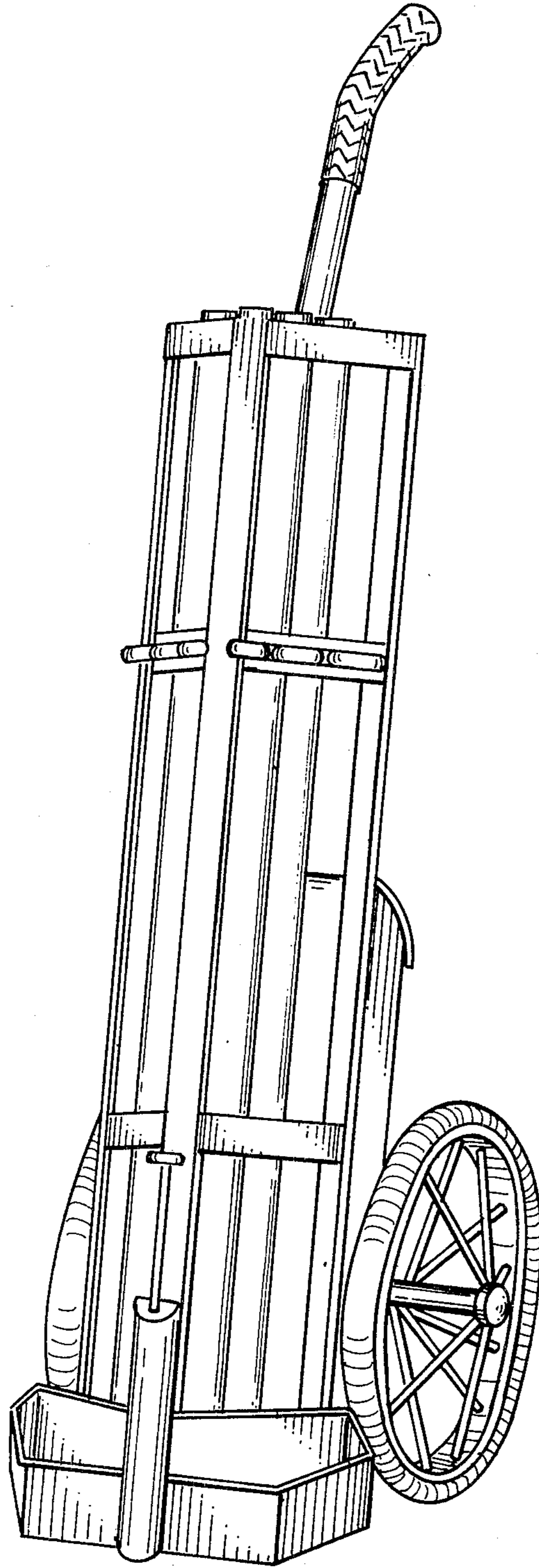


FIG. 2

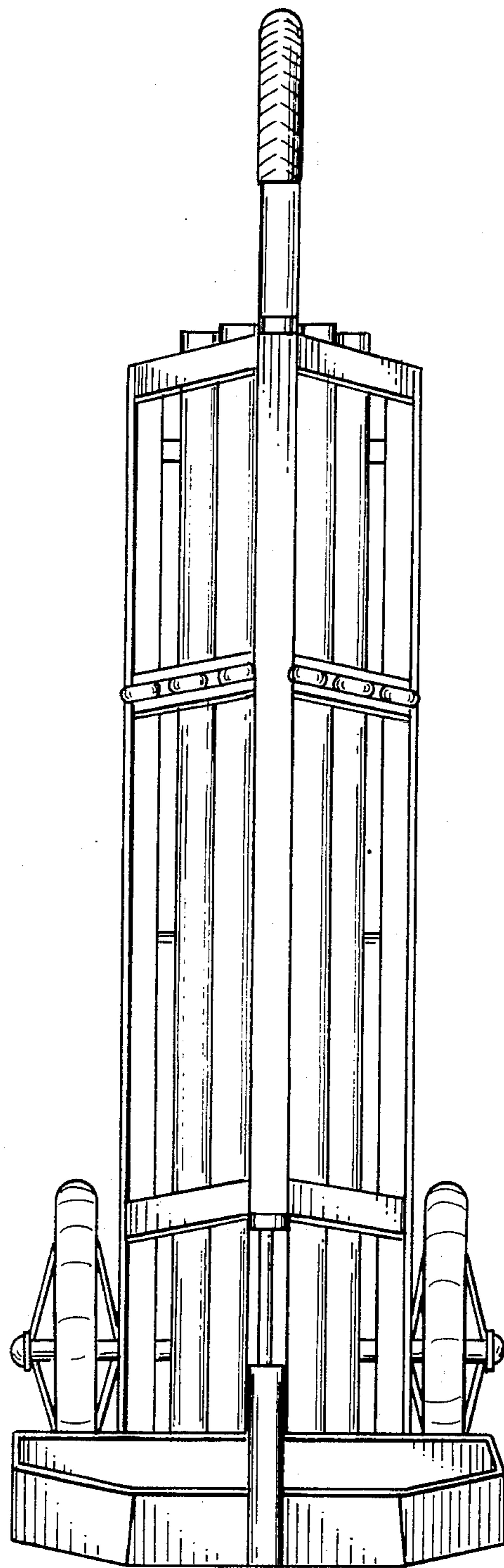


FIG. 3

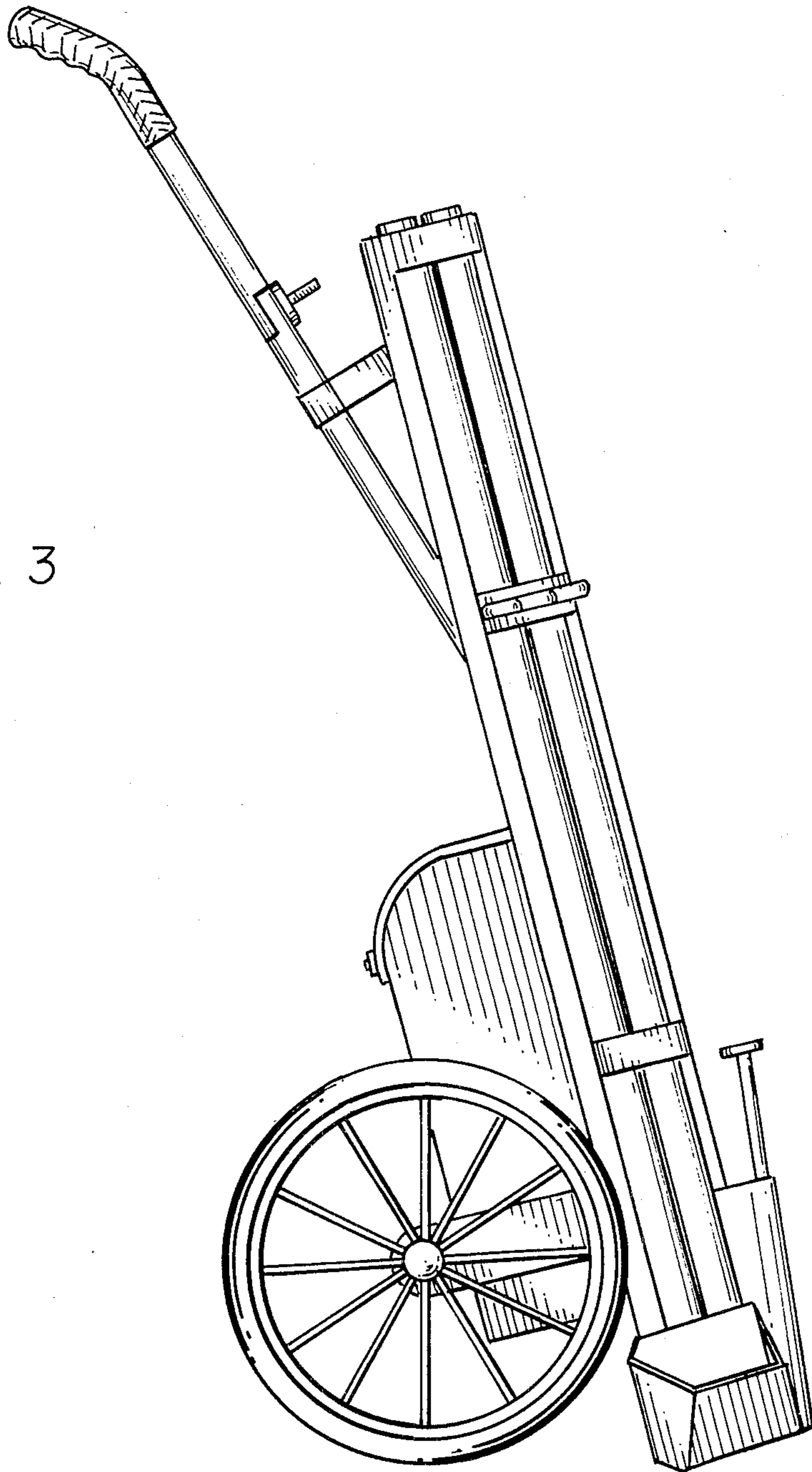


FIG. 4

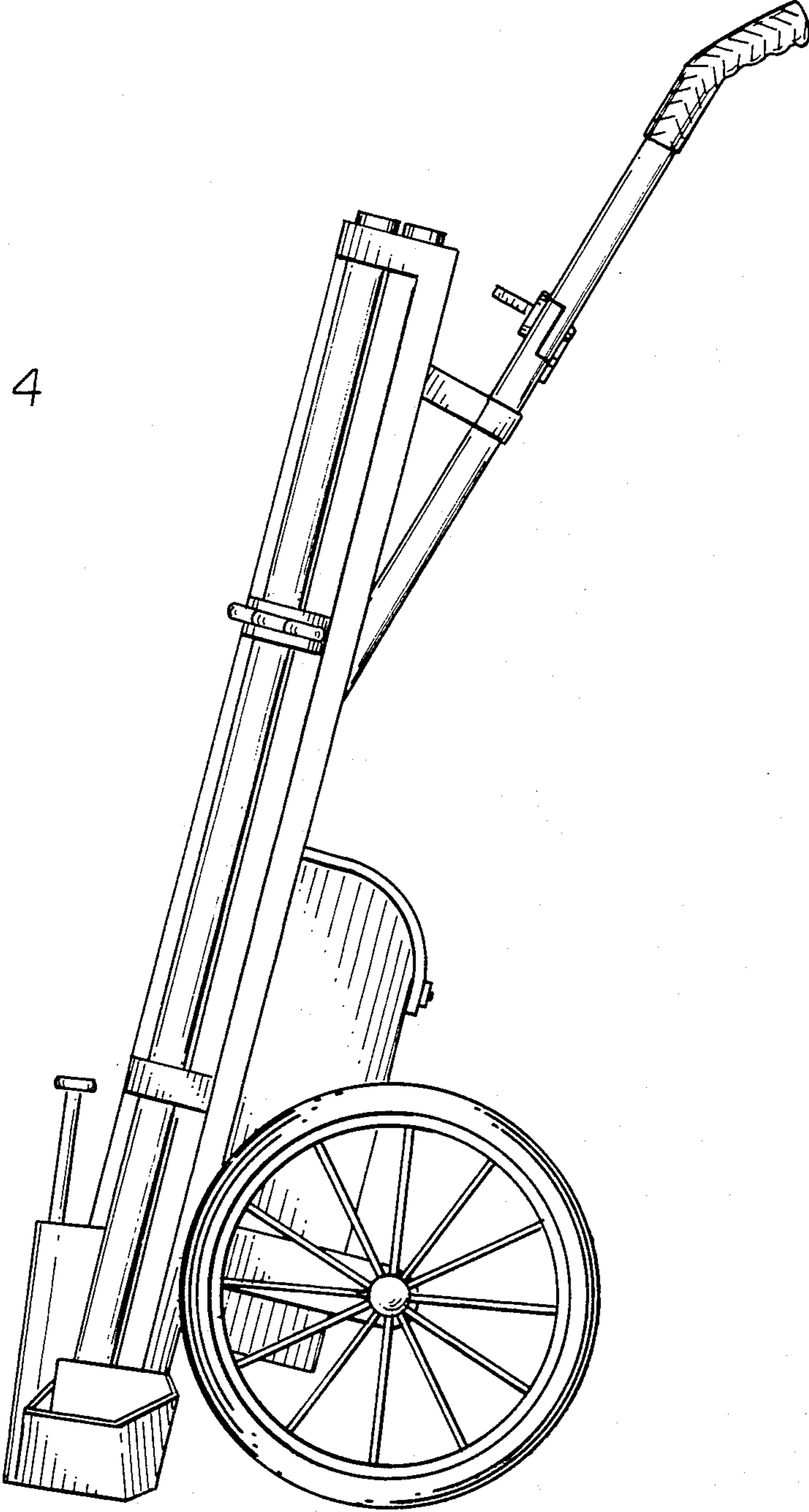


FIG. 5

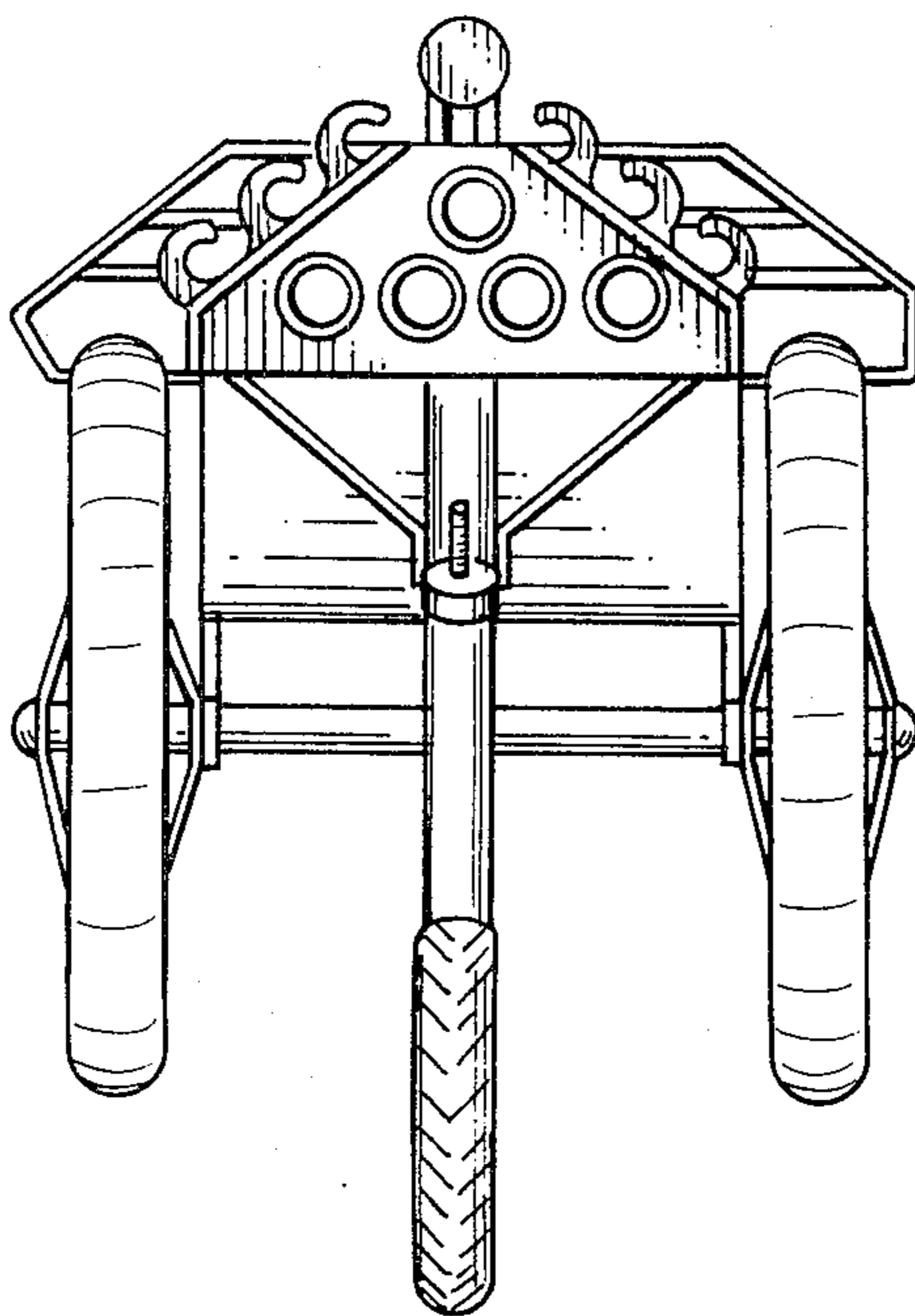


FIG. 6

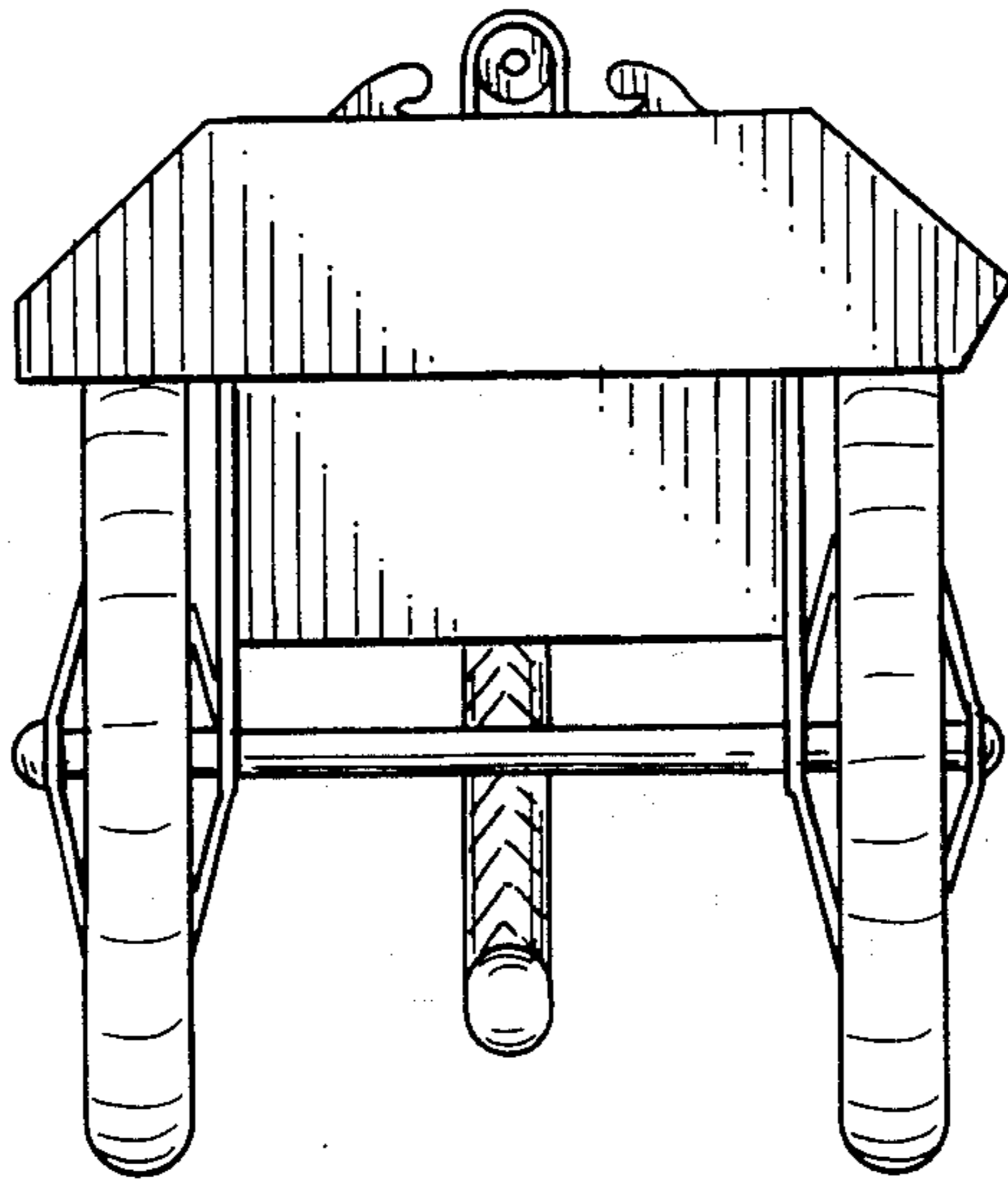


FIG. 7

