

[54] **BUCKET**

[76] **Inventor: Kenneth G. Brandon, 20 Queanbeyan Road, Captains Flat, New South Wales 2621, Australia.**

[\*\*] **Term: 14 Years**

[21] **Appl. No.: 662,370**

[22] **Filed: Oct. 18, 1984**

[52] **U.S. Cl. .... D32/53.1**

[58] **Field of Search ..... 15/257.06, 260-264; 220/72, 90; D32/53.1**

[56] **References Cited**

**U.S. PATENT DOCUMENTS**

3,829,926 8/1974 Salladay ..... 15/257.06  
3,835,482 9/1974 Tersch ..... D23/52 X  
4,280,344 7/1981 O'Connor ..... 15/264 X

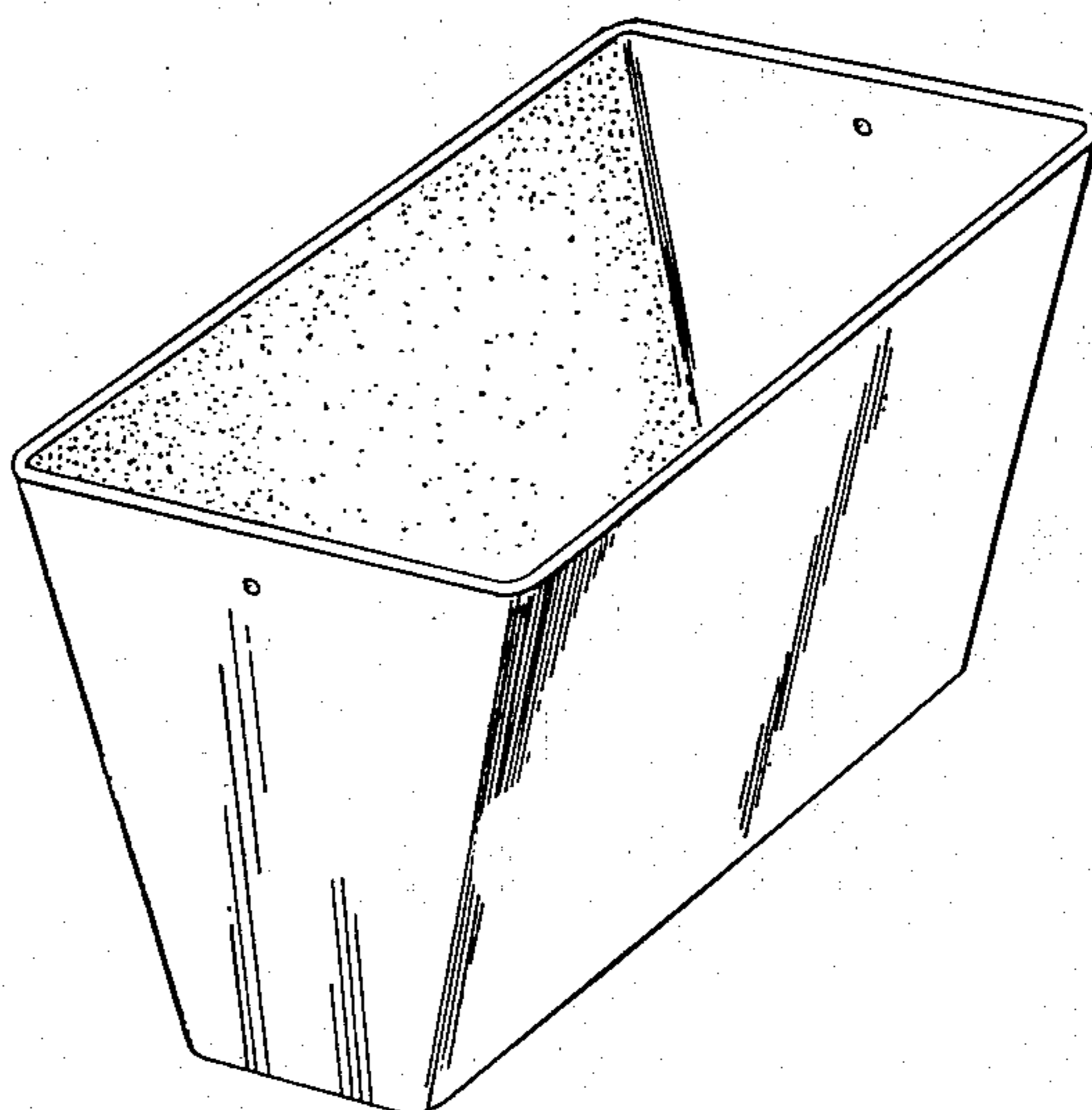
*Primary Examiner*—Catherine E. Kemper

[57] **CLAIM**

The ornamental design for a bucket, as shown.

**DESCRIPTION**

FIG. 1 is a perspective view of a bucket, showing my new design;  
FIG. 2 is a vertical cross-sectional view thereof;  
FIG. 3 is a top plan view thereof.



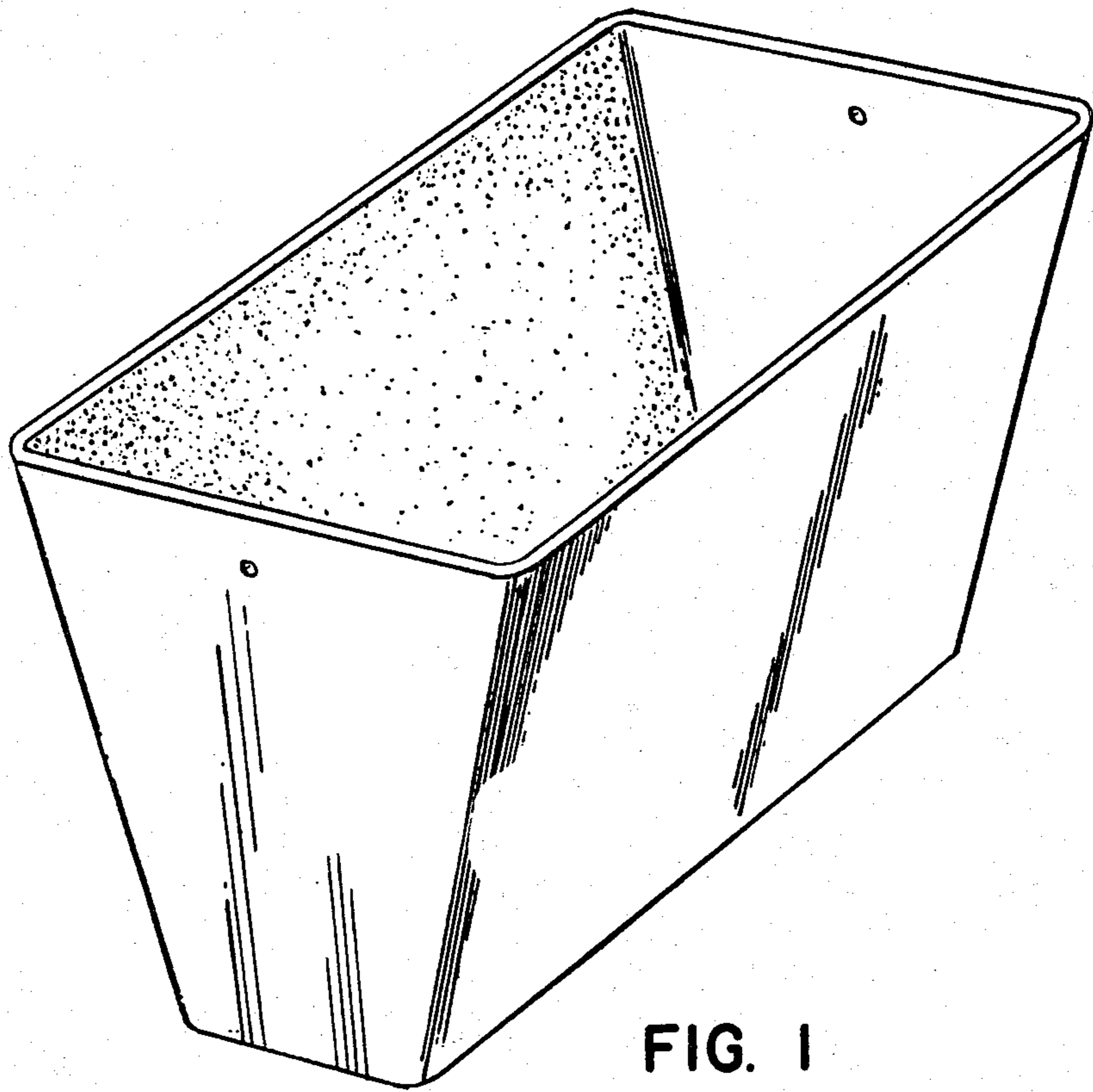


FIG. 1

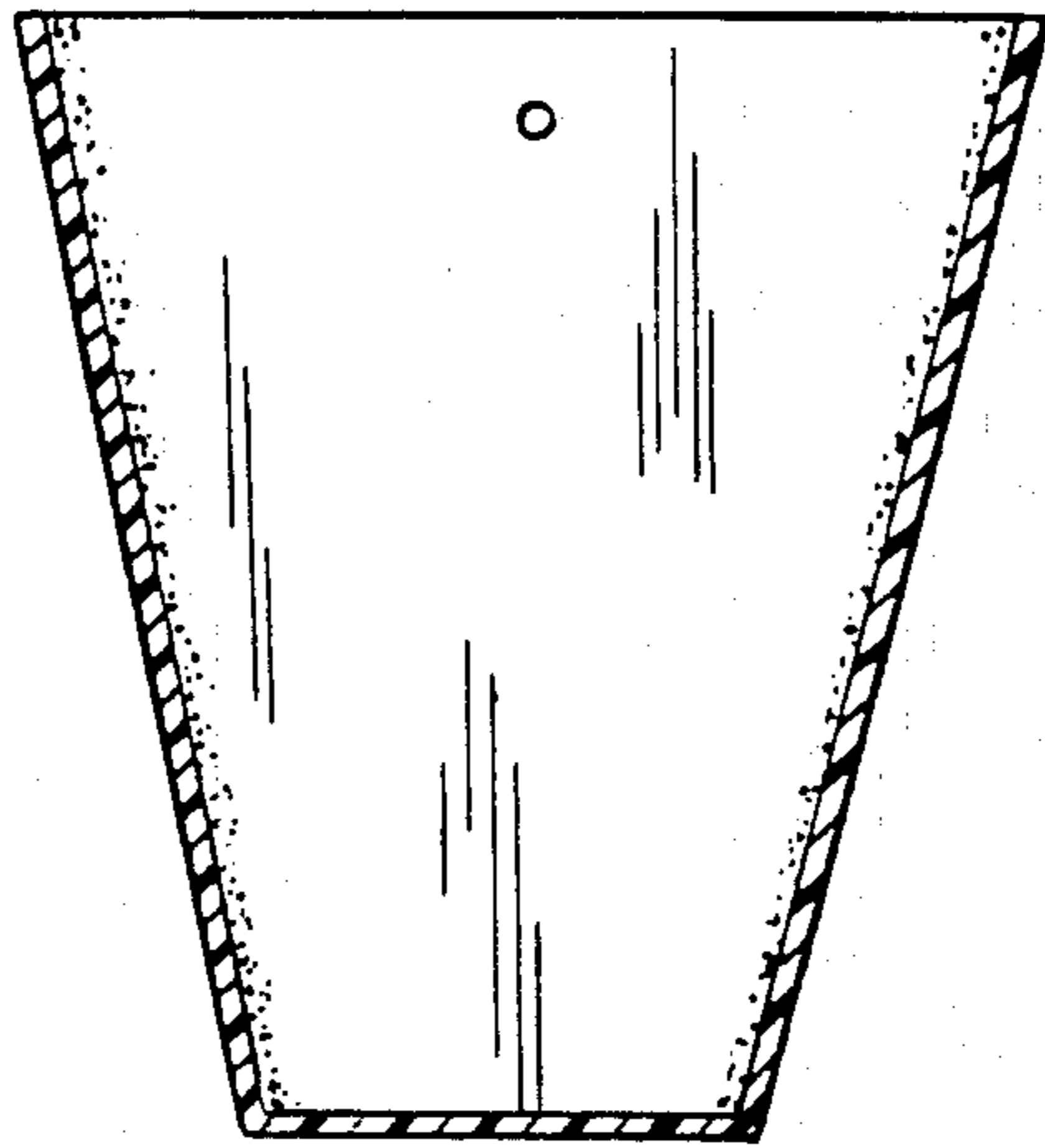


FIG. 2

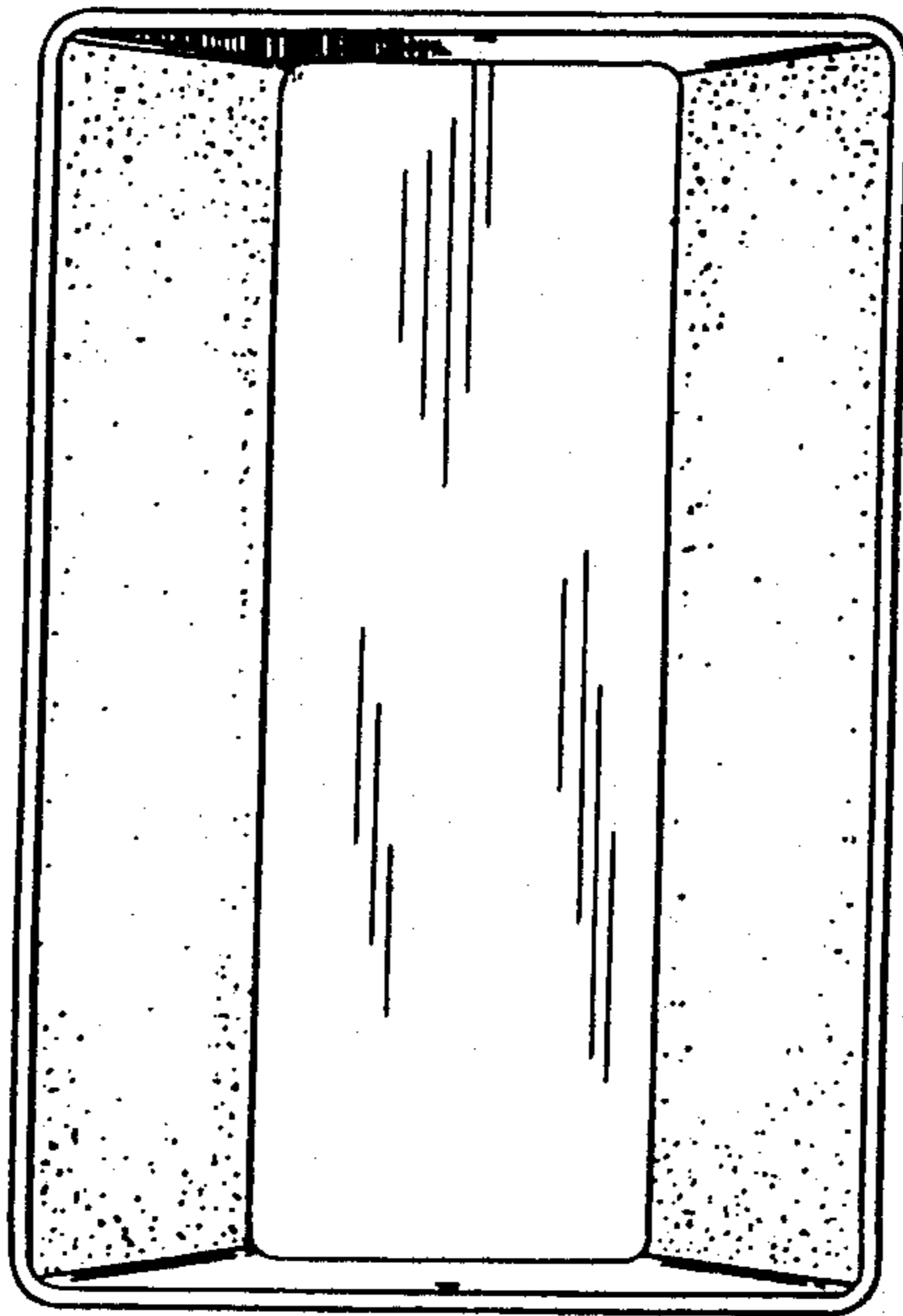


FIG. 3